



US00D809110S

(12) **United States Design Patent**
Nahum

(10) **Patent No.:** **US D809,110 S**
(45) **Date of Patent:** **** Jan. 30, 2018**

(54) **SIPHON FOR DECANTING FLUIDS**

(71) Applicant: **Nir Nahum**, Tiberius (IL)

(72) Inventor: **Nir Nahum**, Tiberius (IL)

(**) Term: **15 Years**

(21) Appl. No.: **35/501,157**

(22) Filed: **Jun. 14, 2016**

(80) **Hague Agreement Data**

Int. Filing Date: **Jun. 14, 2016**

Int. Reg. No.: **DM/091197**

Int. Reg. Date: **Jun. 14, 2016**

Int. Reg. Pub. Date: **Jul. 1, 2016**

(51) **LOC (11) Cl.** **23-01**

(52) **U.S. Cl.**

USPC **D23/259**

(58) **Field of Classification Search**

USPC D23/259–269

CPC E03D 11/13; E03D 2201/30; E03D 11/17;

E03D 11/18; E03D 1/306; E03D 9/031;

Y10T 29/49826; Y10T 428/139

See application file for complete search history.

(56) **References Cited**

U.S. PATENT DOCUMENTS

3,766,575 A * 10/1973 Grengs B60P 3/36
137/247.49

D244,937 S * 7/1977 Houk D23/259

D284,603 S * 7/1986 Loignon D23/259

6,193,879 B1 * 2/2001 Bowman B01D 61/08

210/153

6,418,803 B1 * 7/2002 Billman B08B 9/0325

73/865.9

6,601,248 B1 * 8/2003 Sage-Passant E03C 1/182

285/33

6,755,446 B2 * 6/2004 Mintz F16L 37/252

285/129.1

6,971,400 B1 * 12/2005 Bowman E03C 1/12

137/216

7,155,760 B2 * 1/2007 McAlpine E03C 1/29

137/247.35

D587,787 S * 3/2009 Ismert D23/263

D610,240 S * 2/2010 Tausch D23/262

D617,881 S * 6/2010 Tausch D23/262

8,033,486 B2 * 10/2011 Berger E03C 1/122

137/247.27

D661,786 S * 6/2012 Johnson D23/262

D663,385 S * 7/2012 Marquis-Martin D23/259

D676,533 S * 2/2013 Clarke D23/263

8,365,319 B2 * 2/2013 Park E03C 1/298

4/301

8,578,522 B1 * 11/2013 Helmstetter E03D 11/16

4/252.1

D704,811 S * 5/2014 Yu D23/262

8,939,471 B2 * 1/2015 Hawboldt E03C 1/184

210/172.1

D735,303 S * 7/2015 Drury D23/262

D750,744 S * 3/2016 Liljeqvist D23/233

D751,677 S * 3/2016 Drury D23/262

D755,940 S * 5/2016 Schulze D23/266

9,427,114 B2 * 8/2016 Tong E03C 1/2302

9,428,893 B1 * 8/2016 Towers E03C 1/29

9,447,908 B2 * 9/2016 Watson F16L 55/00

D771,779 S * 11/2016 Scifres D23/263

(Continued)

Primary Examiner — Michael A Pratt

(57) **CLAIM**

The ornamental design for a siphon for decanting fluids, as shown and described.

DESCRIPTION

4.1 Perspective

4.2 Top

4.3 Left

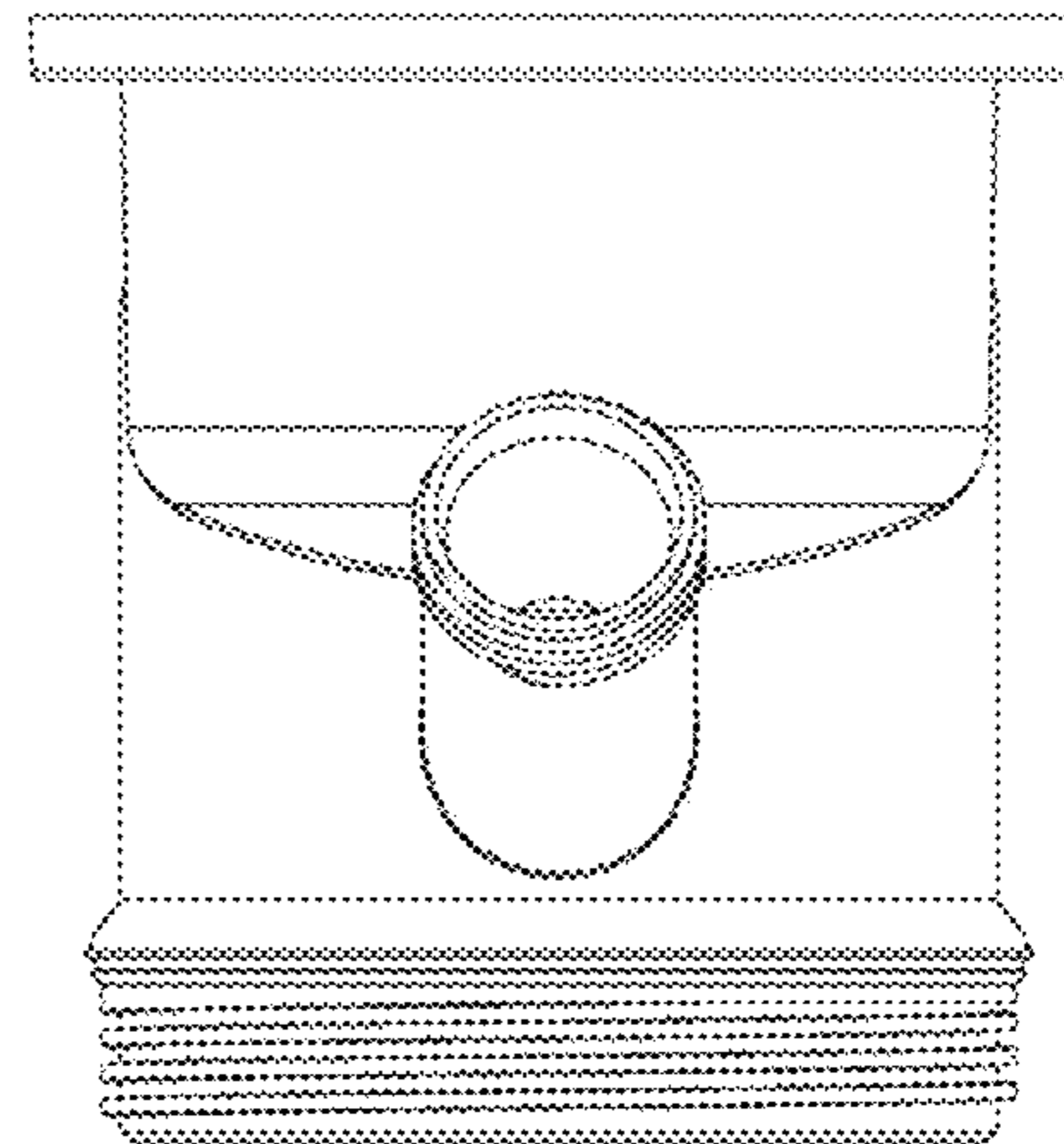
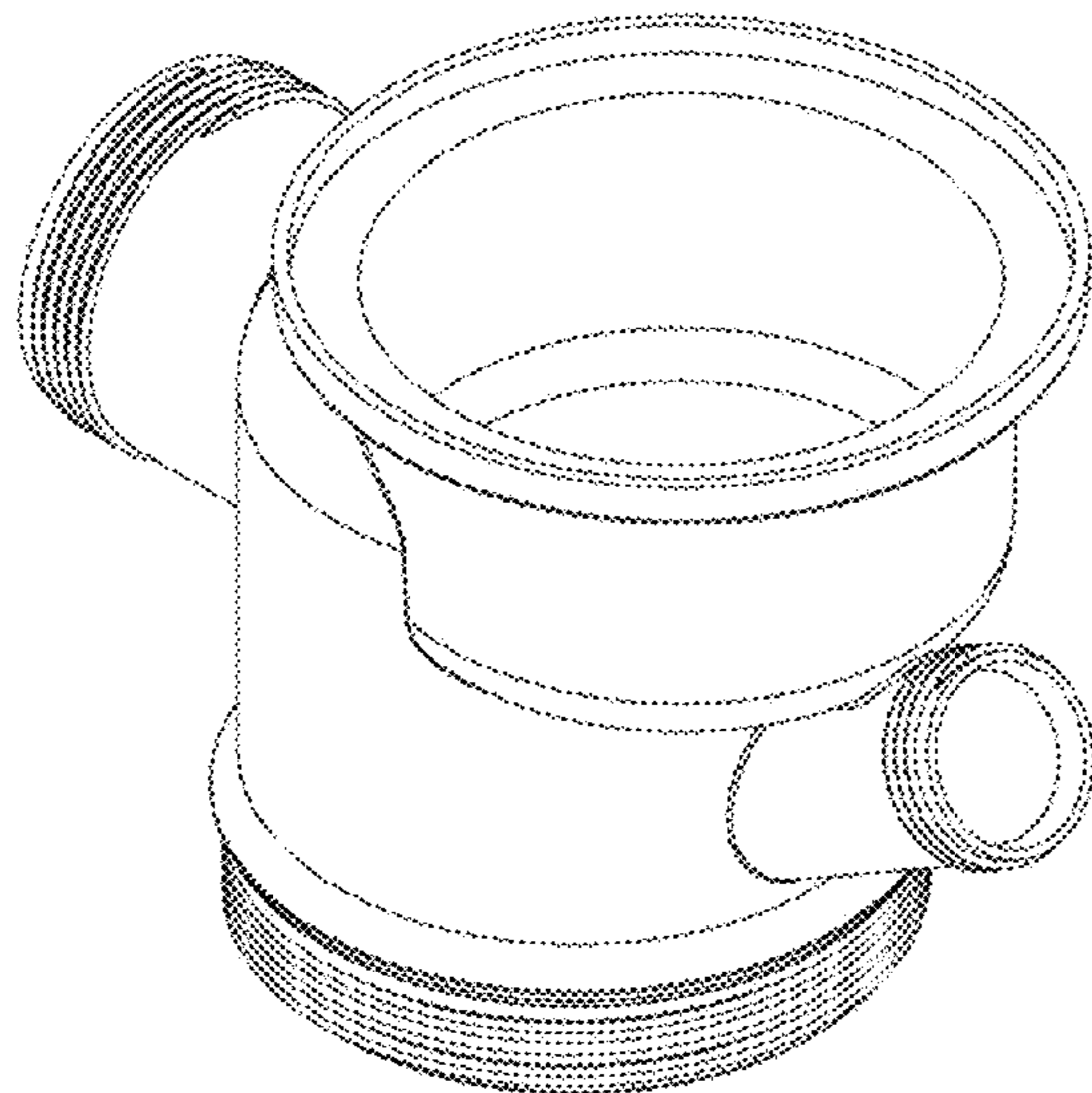
4.4 Back

4.5 Bottom

4.6 Right

4.7 Front

1 Claim, 7 Drawing Sheets



(56)

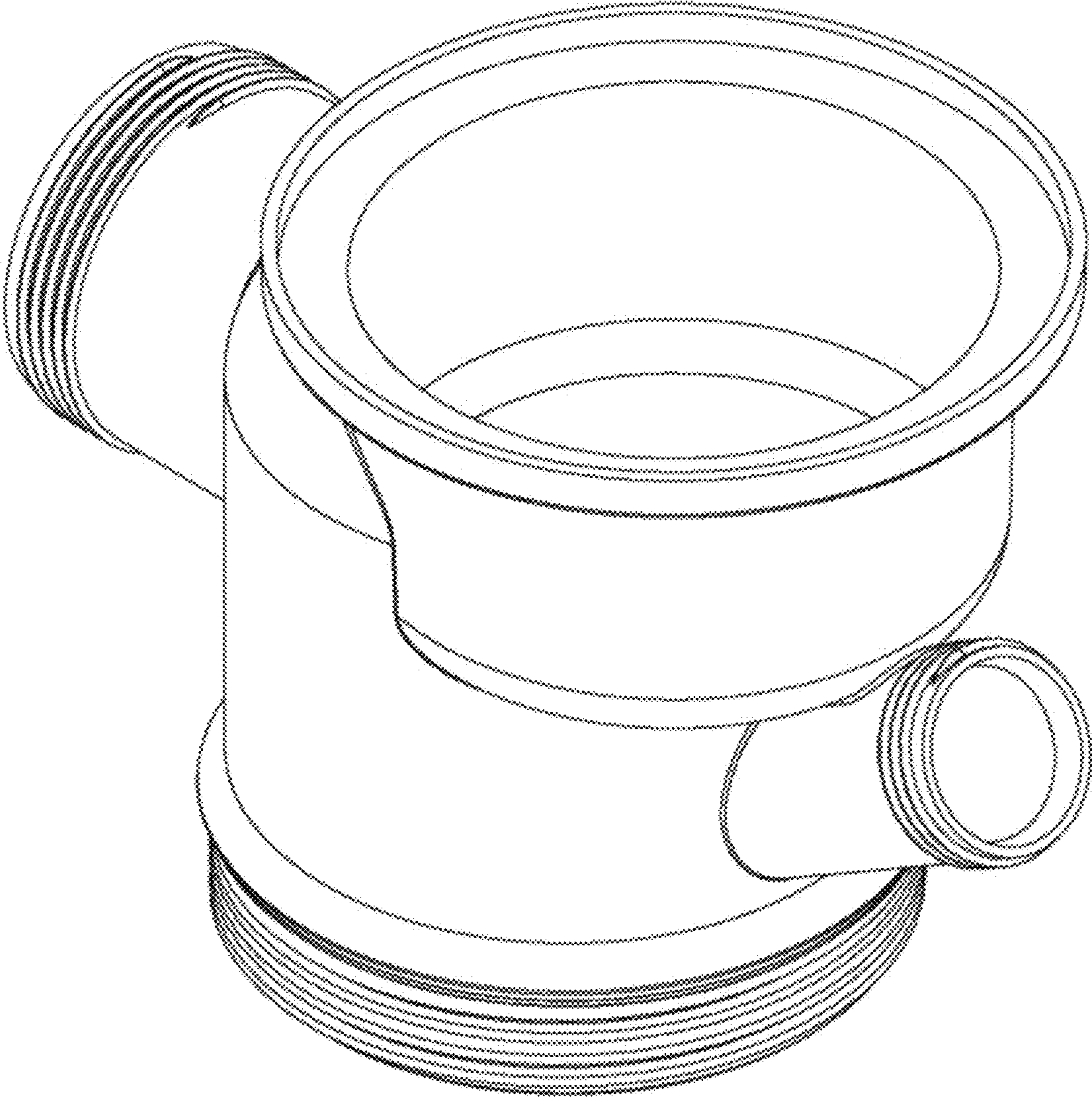
References Cited

U.S. PATENT DOCUMENTS

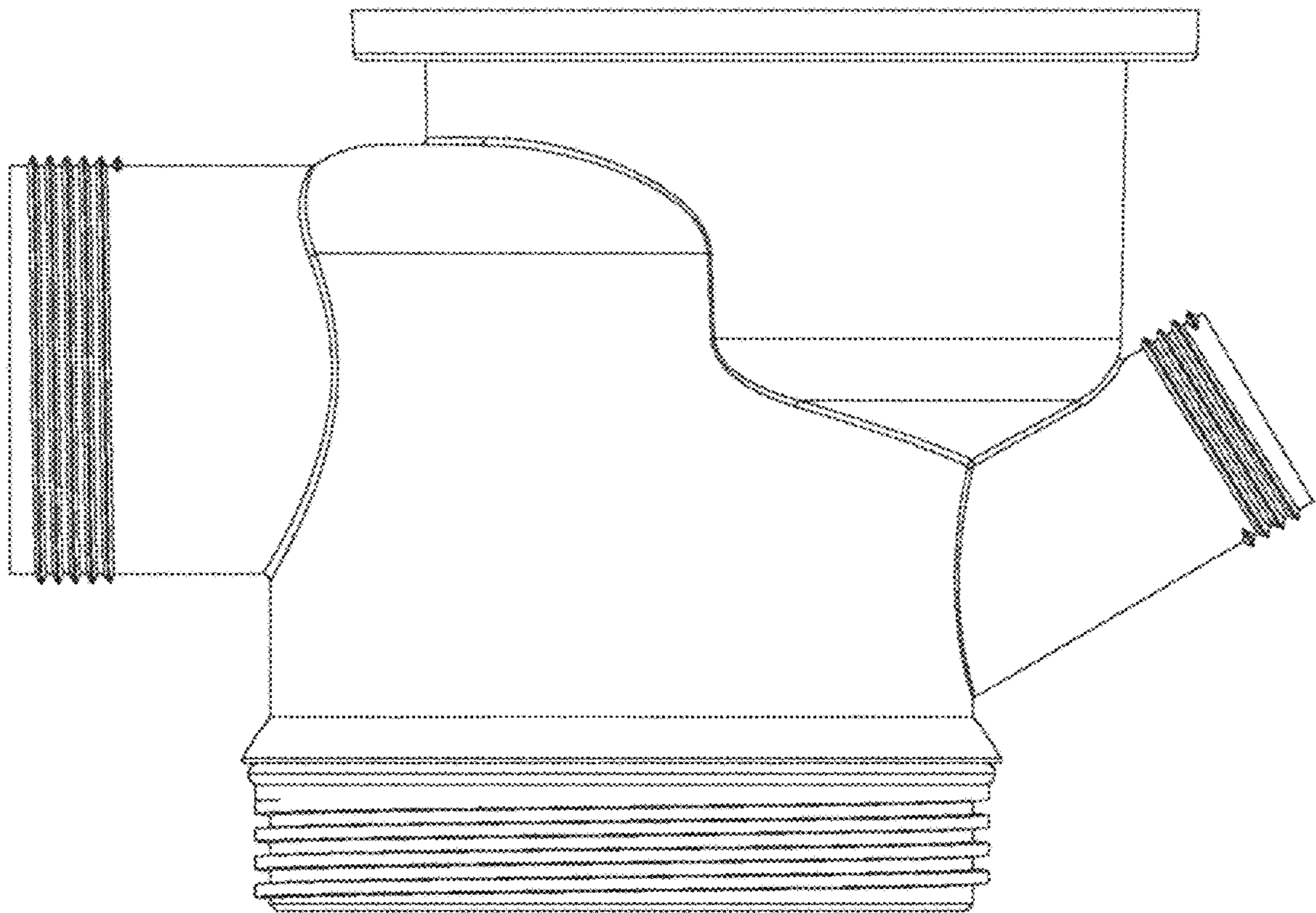
D772,384	S	*	11/2016	Schulze	D23/266
D773,017	S	*	11/2016	Schulze	D23/266
D773,621	S	*	12/2016	Gill	D23/259
D776,797	S	*	1/2017	Bednarz	D23/263
D787,029	S	*	5/2017	Bayyouk	D23/269
D788,886	S	*	6/2017	Salzer	D23/259
2012/0272447	A1	*	11/2012	Fleischer	A61H 33/027 4/541.6

* cited by examiner

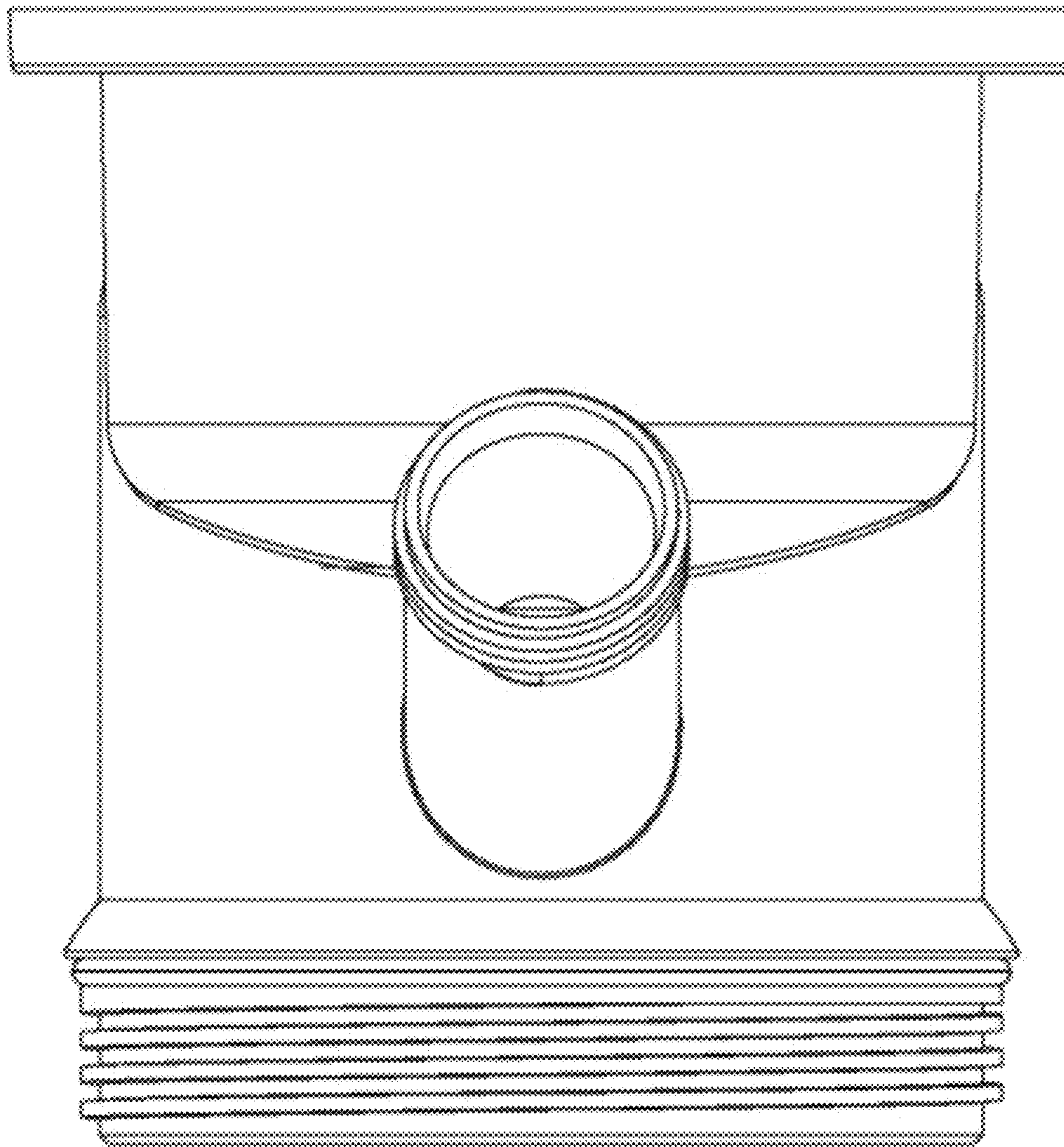
4.1



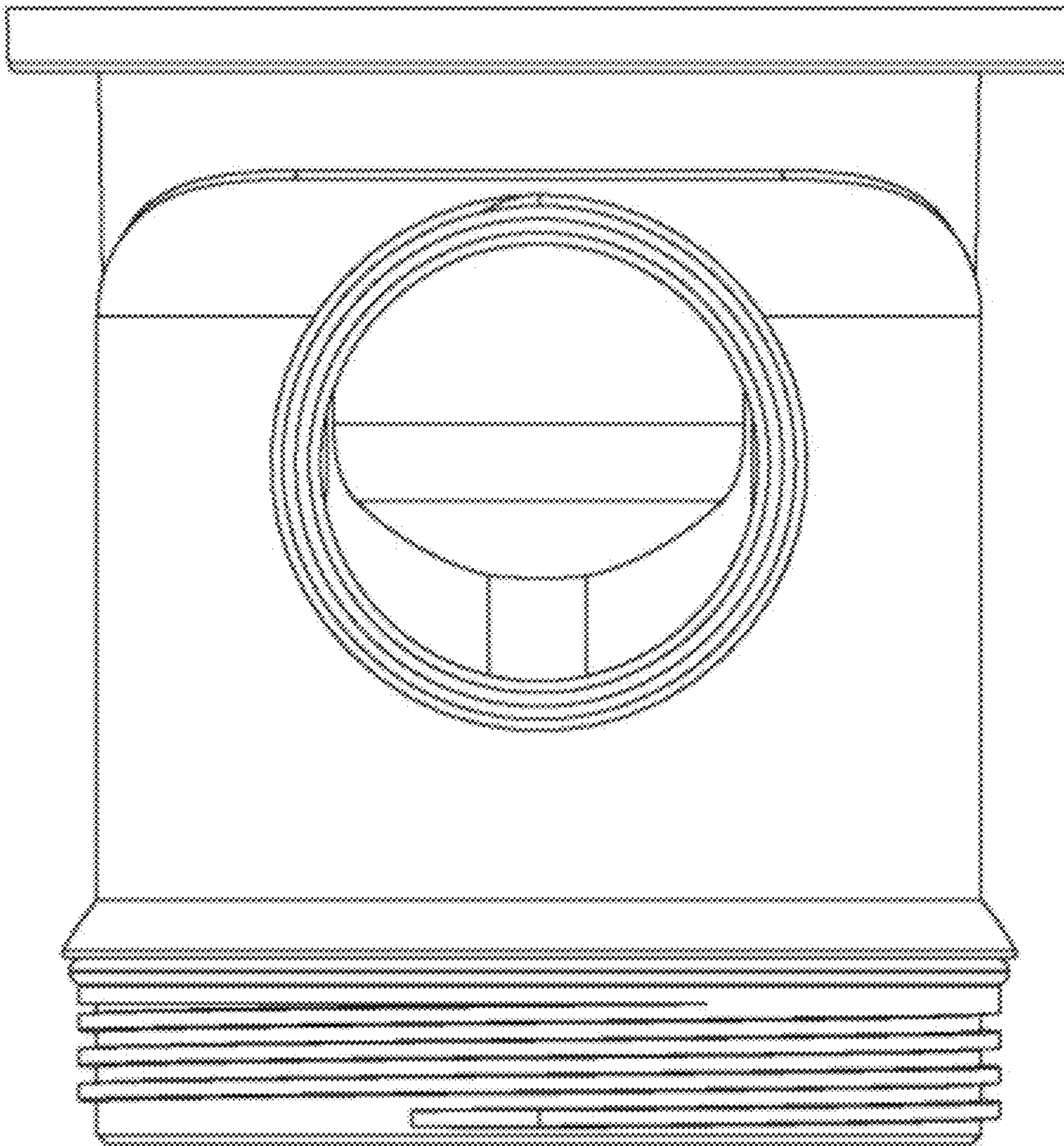
4.2



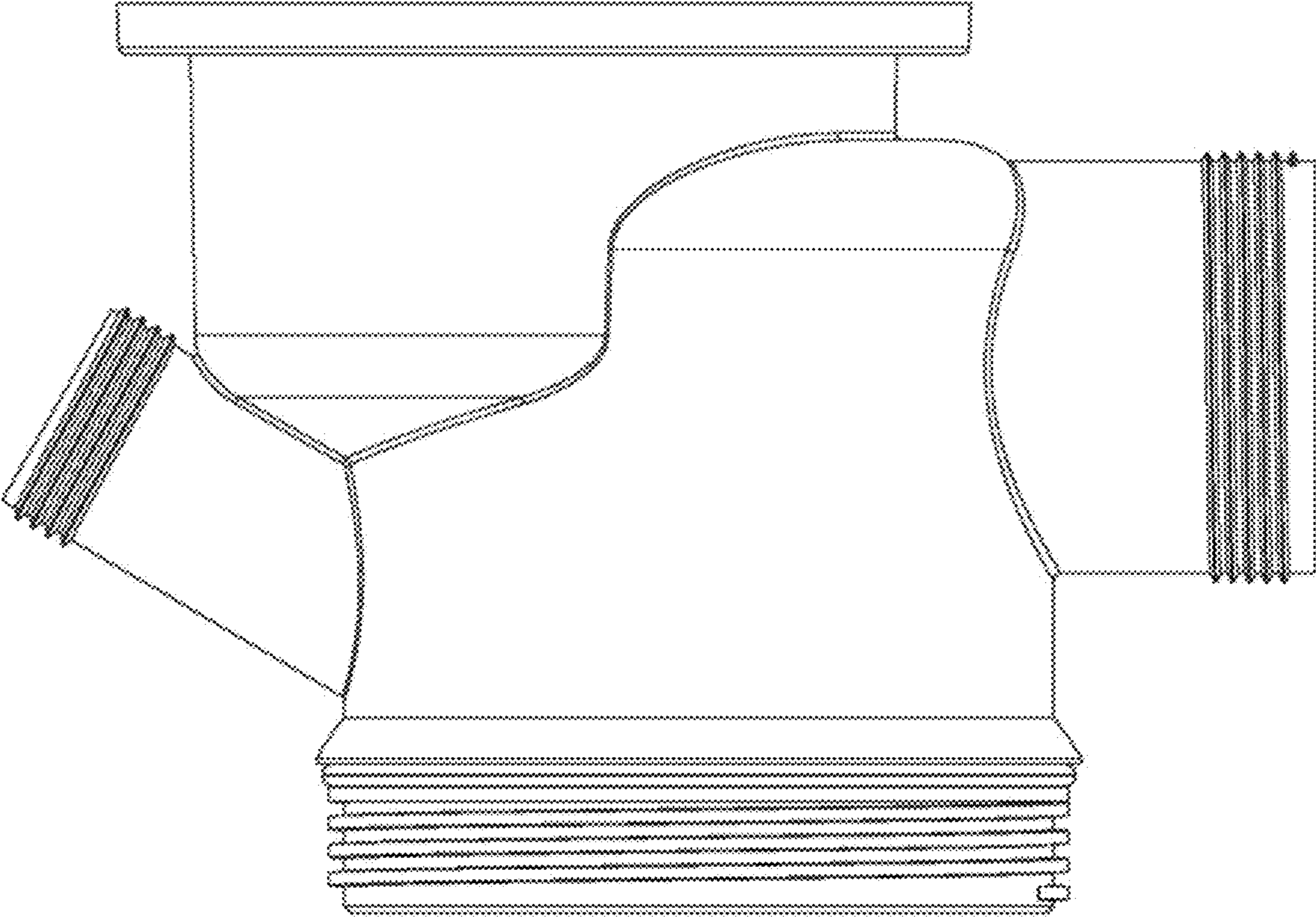
4.3



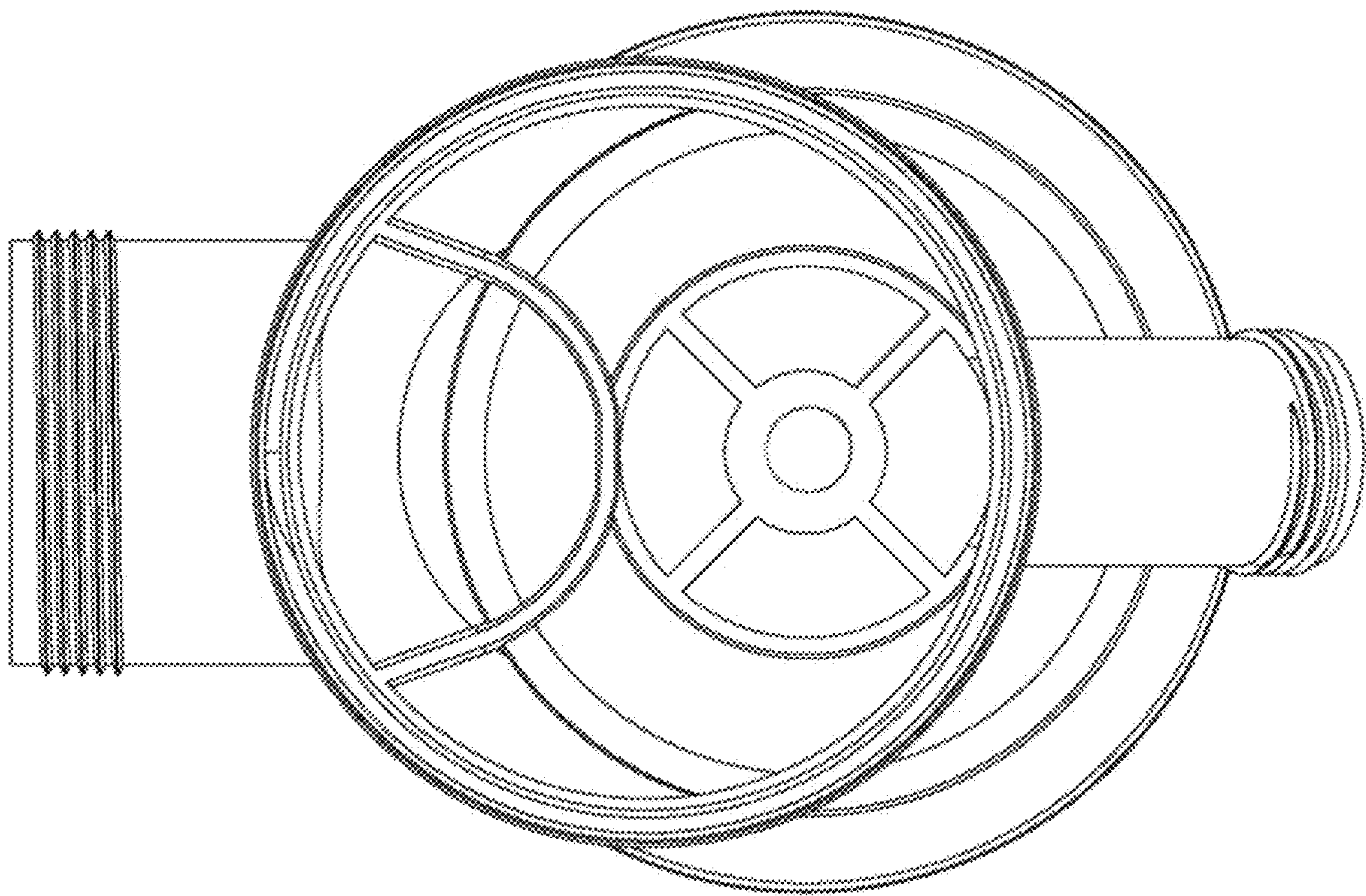
4.4



4.5



4.6



4.7

