



US00D809109S

(12) **United States Design Patent** (10) **Patent No.:** **US D809,109 S**  
**Kirar et al.** (45) **Date of Patent:** **\*\* Jan. 30, 2018**

- (54) **FAUCET SPOUT**
- (71) Applicant: **Kohler Co.**, Kohler, WI (US)
- (72) Inventors: **Laura K. Kirar**, Miami Beach, FL (US); **William C. McKeone**, Sheboygan, WI (US)
- (73) Assignee: **KOHLER CO.**, Kohler, WI (US)
- (\*\*) Term: **15 Years**
- (21) Appl. No.: **29/619,302**
- (22) Filed: **Sep. 28, 2017**

- D487,305 S 3/2004 Ouyoung
- D517,174 S 3/2006 Singtoroj
- D522,102 S 5/2006 Fritz
- D524,140 S 7/2006 Kirar
- D531,267 S 10/2006 Hundley
- D532,866 S 11/2006 Kirar
- D533,924 S 12/2006 Kirar
- D534,251 S 12/2006 Barry
- D564,634 S 3/2008 Kirar
- D570,453 S 6/2008 Tsai
- D575,848 S 8/2008 Kirar
- D580,523 S 11/2008 Hanna
- D581,025 S 11/2008 Schonherr
- D585,525 S 1/2009 Ko
- D619,872 S 7/2010 Singtoroj
- D634,815 S 3/2011 Barry
- D664,630 S 7/2012 Fritz et al.

(Continued)

**Related U.S. Application Data**

- (62) Division of application No. 29/603,622, filed on May 11, 2017, now Pat. No. Des. 801,485, which is a division of application No. 29/540,140, filed on Sep. 21, 2015, now Pat. No. Des. 787,642.
- (51) **LOC (11) Cl.** ..... **23-01**
- (52) **U.S. Cl.**  
USPC ..... **D23/255**
- (58) **Field of Classification Search**  
USPC ..... D23/238–243, 249, 255, 257, 250, 252, D23/254  
CPC ..... E03C 1/04; E03C 1/0401; E03C 1/0402; E03C 1/0404; F16K 31/602; F16K 31/605; F16K 31/607  
See application file for complete search history.

**References Cited**

**U.S. PATENT DOCUMENTS**

- D255,921 S 7/1980 Doman
- D318,904 S 8/1991 Hartkopf
- D334,230 S 3/1993 Bonnell
- D364,217 S 11/1995 Dubin
- D384,401 S 9/1997 Doughty
- 5,813,708 A 9/1998 Shen
- D472,615 S 4/2003 Smith

*Primary Examiner* — Robert Delehanty

(74) *Attorney, Agent, or Firm* — Foley & Lardner LLP

(57) **CLAIM**

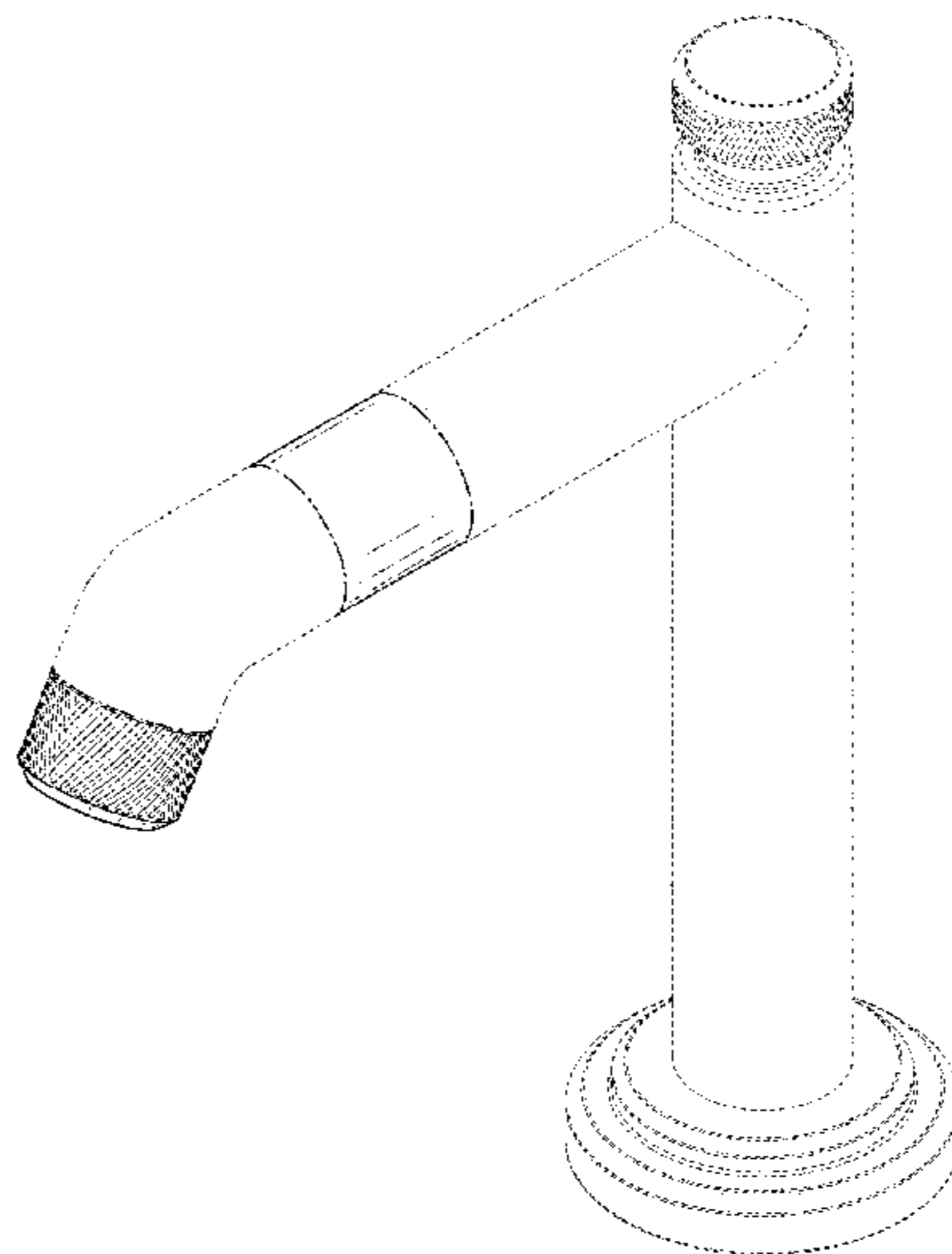
We claim the ornamental design for a faucet spout, as shown and described.

**DESCRIPTION**

FIG. 1 is a perspective view of an embodiment of the claimed design;  
 FIG. 2 is a front view thereof;  
 FIG. 3 is a rear view thereof;  
 FIG. 4 is a side view thereof;  
 FIG. 5 is a top view thereof; and,  
 FIG. 6 is a bottom view thereof.

The ornamental design which is claimed is shown in solid lines in the drawings. The broken lines in the drawings form no part of the claimed design. Broken lines formed by equal length dashes show unclaimed subject matter. Broken lines formed by unequal length dashes (i.e., dash-dot) define bounds of the claimed design. Broken away symbols having a jagged element show that no particular length of the portion is claimed.

**1 Claim, 6 Drawing Sheets**

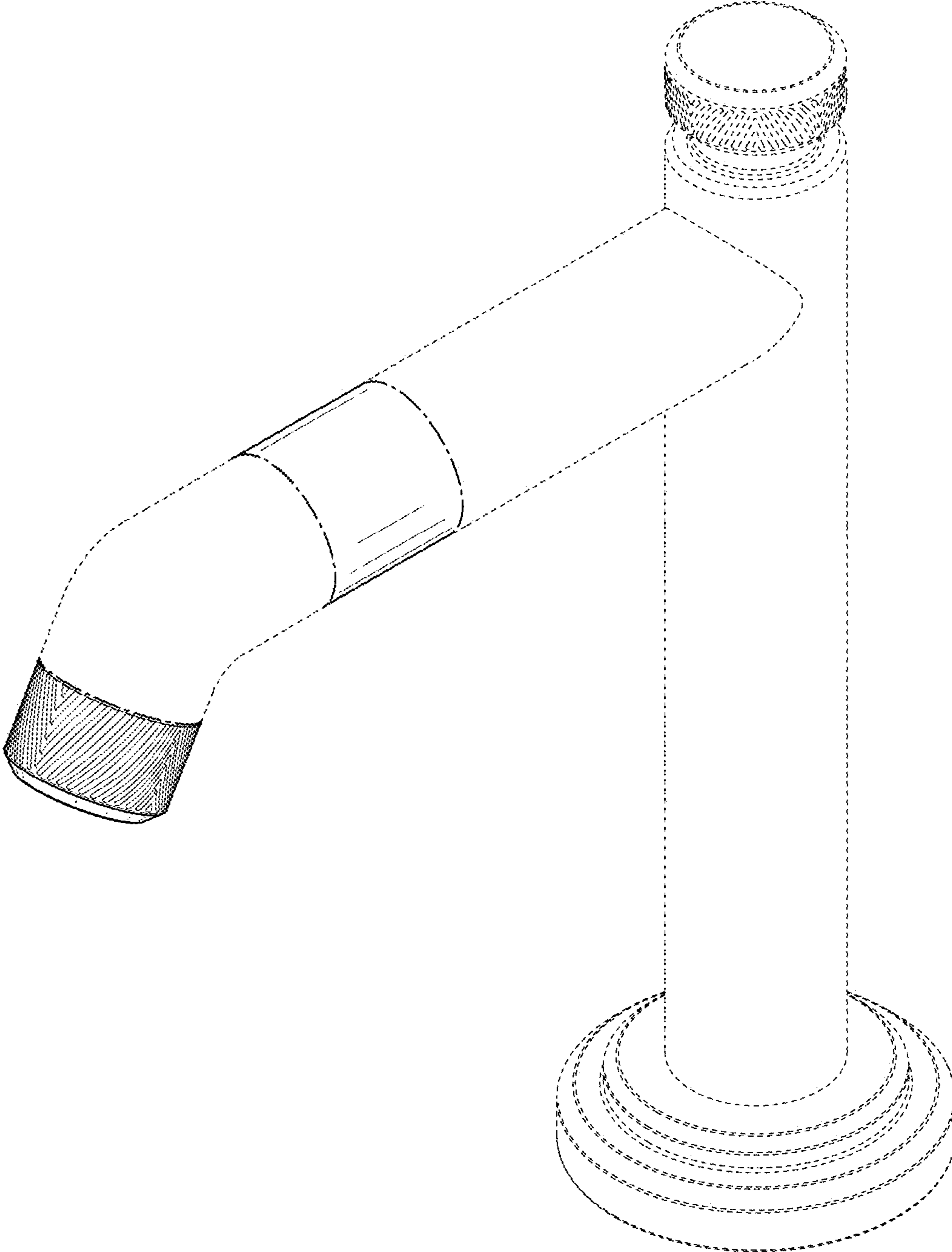


(56)

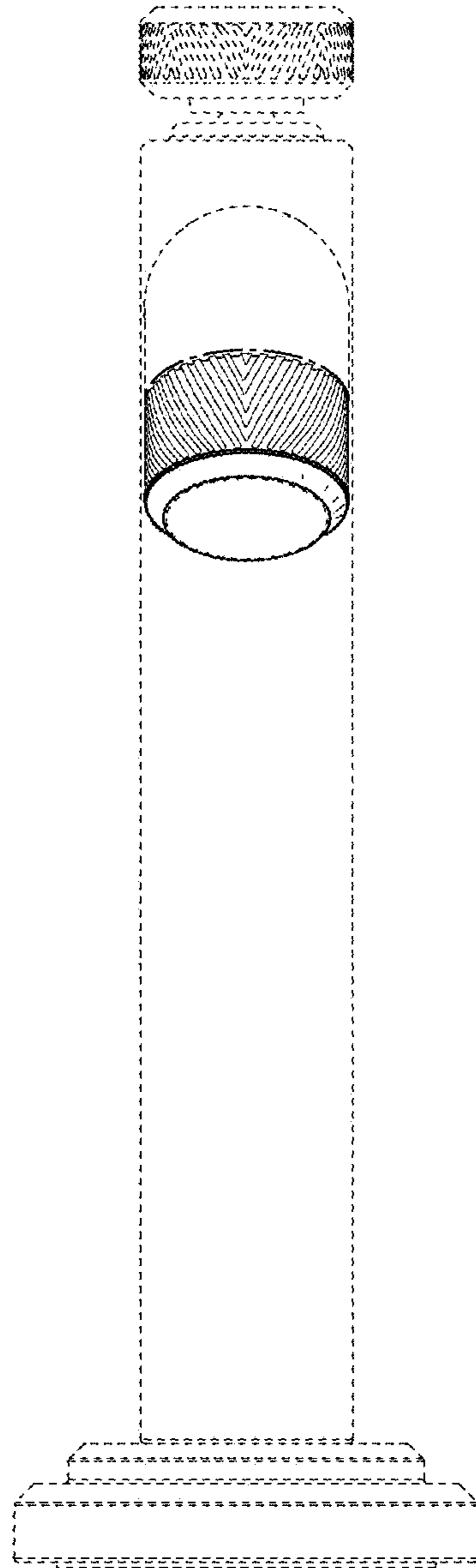
**References Cited**

U.S. PATENT DOCUMENTS

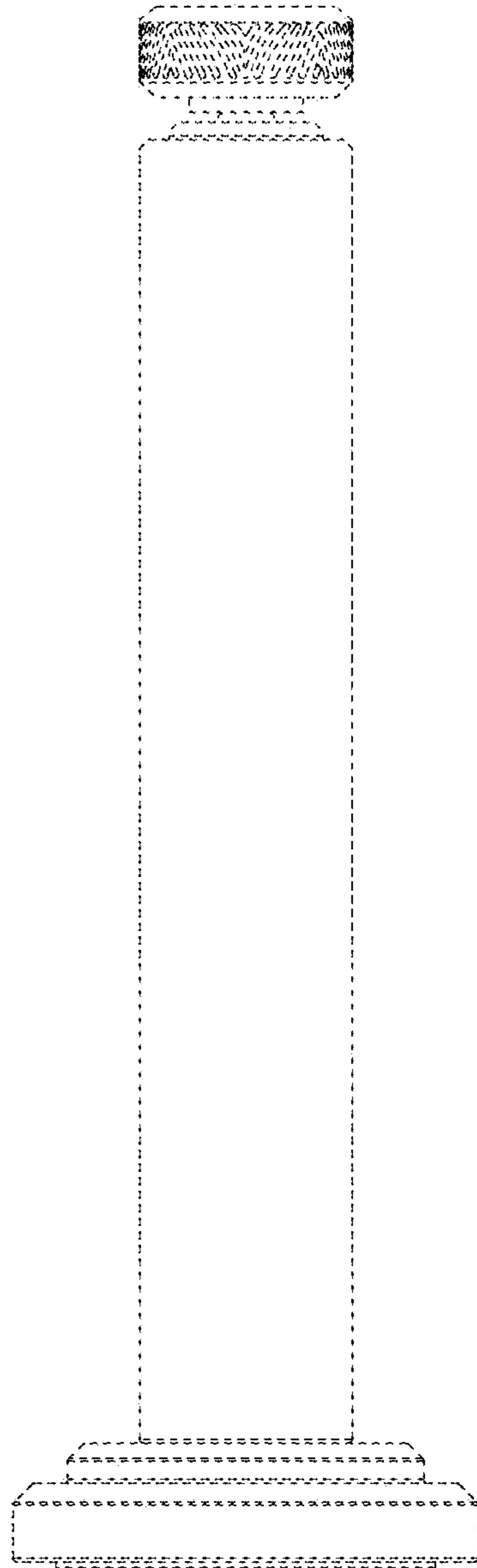
D666,277	S	8/2012	Schaefer
8,235,431	B2	8/2012	Williamson
D678,987	S	3/2013	Liao
D684,669	S	6/2013	Eilmus
D685,878	S	7/2013	Fritz
D699,970	S	2/2014	Sedwick
D714,912	S	10/2014	Barry
D741,453	S	10/2015	Bahler
D752,163	S	3/2016	Eder
D754,827	S	4/2016	Byron
D767,102	S	9/2016	Schoenherr
D785,436	S	5/2017	Carlino
D787,640	S	5/2017	Kirar et al.
D787,645	S	5/2017	Kirar
2016/0002954	A1	1/2016	Ali et al.



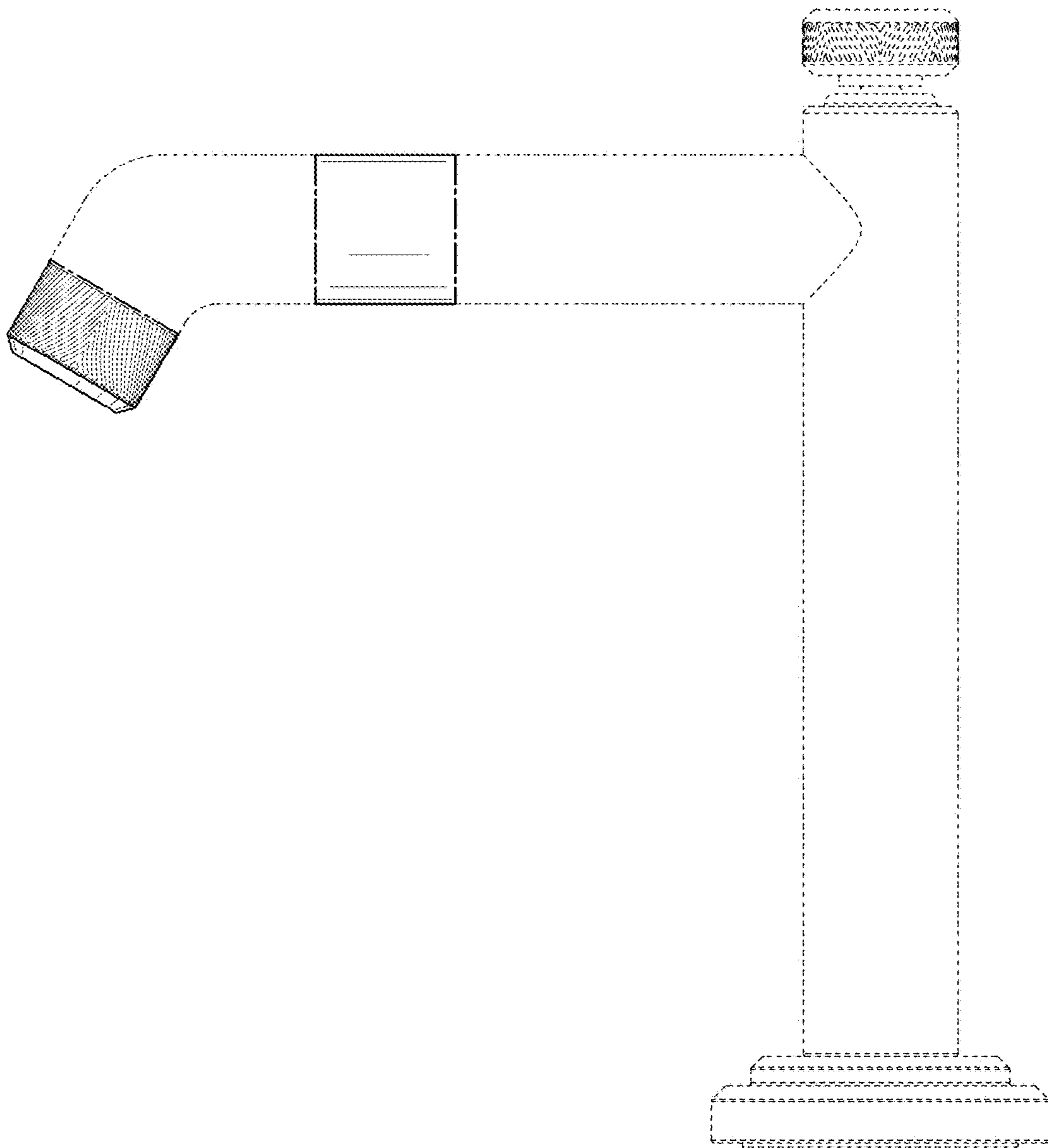
**FIG. 1**



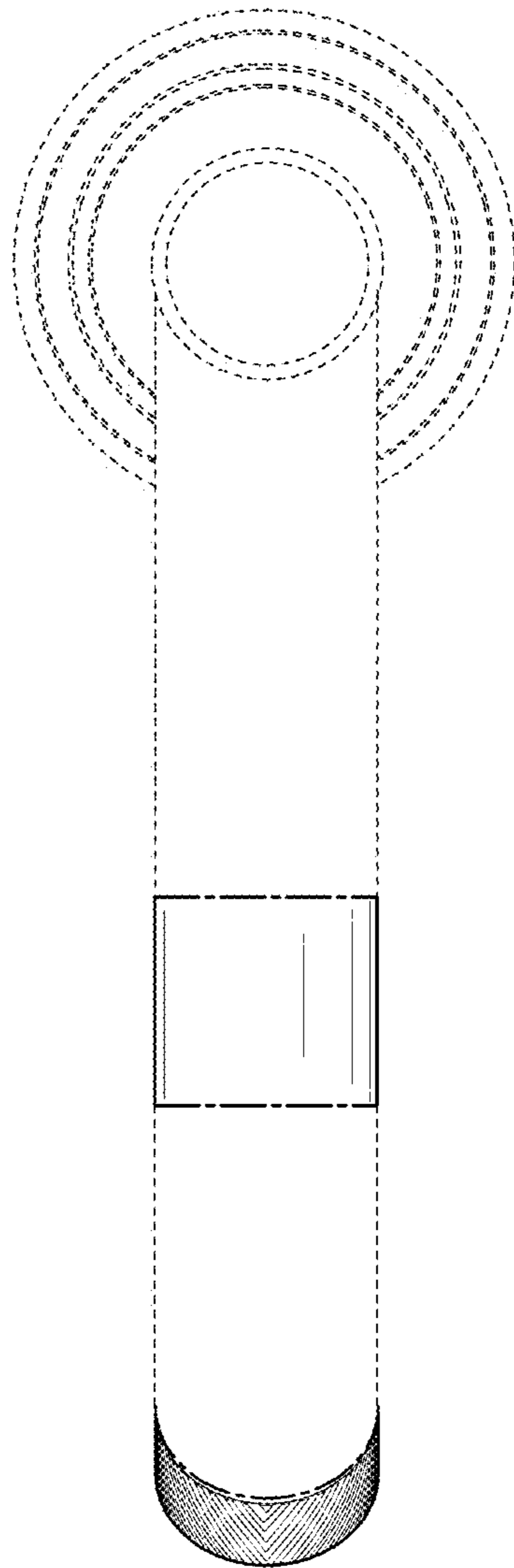
**FIG. 2**



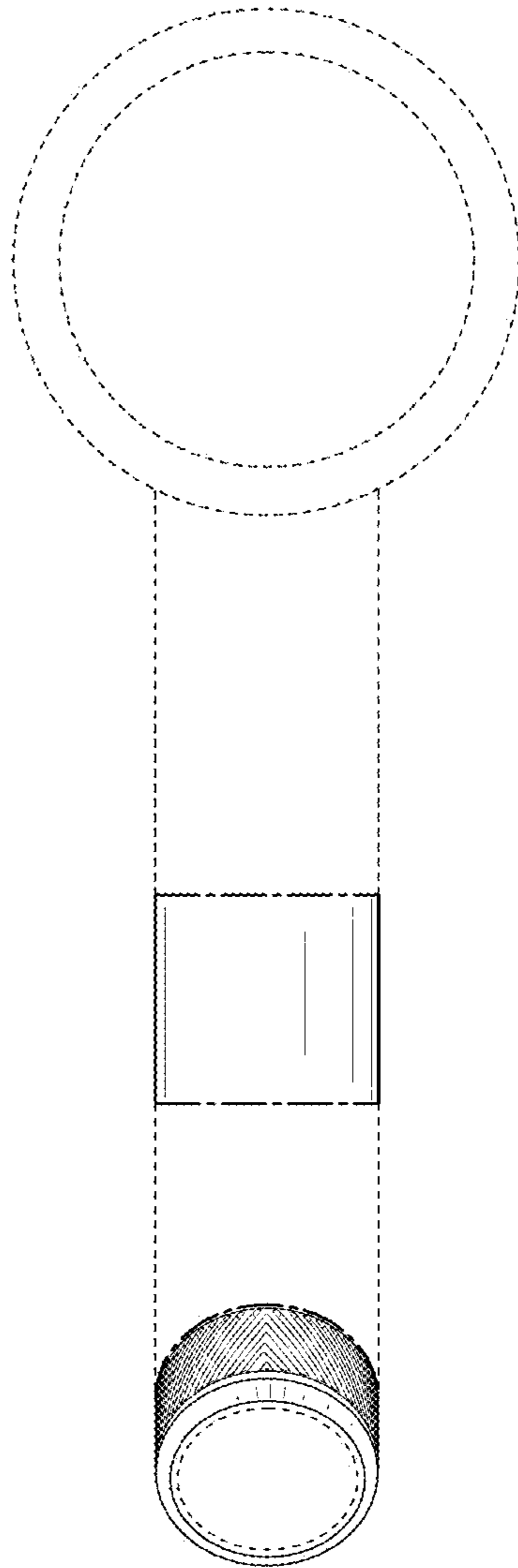
**FIG. 3**



**FIG. 4**



**FIG. 5**



**FIG. 6**