



US00D809107S

(12) **United States Design Patent**
Schoenherr et al.

(10) **Patent No.:** **US D809,107 S**
(45) **Date of Patent:** **** Jan. 30, 2018**

- (54) **FAUCET**
- (71) Applicant: **HANS GROHE SE**, Schiltach (DE)
- (72) Inventors: **Tom Schoenherr**, Stuttgart (DE);
Andreas Diefenbach,
Ludwigsburg-Oßweil (DE); **Yunwei Zhu**, Stuttgart (DE)
- (73) Assignee: **HANS GROHE SE**, Schiltach (DE)
- (**) Term: **15 Years**
- (21) Appl. No.: **29/586,654**
- (22) Filed: **Dec. 6, 2016**

D757,223 S *	5/2016	Schoenherr	D23/238
D760,354 S *	6/2016	Citterio	D23/238
D760,355 S *	6/2016	Citterio	D23/238
D762,820 S *	8/2016	Schoenherr	D23/238
D767,721 S *	9/2016	Yoshioka	D23/238

FOREIGN PATENT DOCUMENTS

CN	302191608	11/2012
CN	302233251	12/2012
EM	001352462-0001	11/2012
EM	001419832-0002	8/2014

* cited by examiner

Primary Examiner — Robert A Delehanty

(74) *Attorney, Agent, or Firm* — Lora J. Graentzdoerffer

(30) **Foreign Application Priority Data**

Jun. 8, 2016 (EM) 003180363-0009

(51) **LOC (11) Cl.** **23-01**

(52) **U.S. Cl.**
USPC **D23/255**

(58) **Field of Classification Search**
USPC D23/238, 241–243, 249, 255, 257
CPC Y10T 137/9464
See application file for complete search history.

(56) **References Cited**

U.S. PATENT DOCUMENTS

D301,056 S *	5/1989	Paul	D23/242
D510,978 S *	10/2005	Kulig	D23/238
D636,463 S *	4/2011	Kulig	D23/238
D645,938 S *	9/2011	Ando	D23/238
D701,592 S *	3/2014	Zhenqiang	D23/238

(57) **CLAIM**

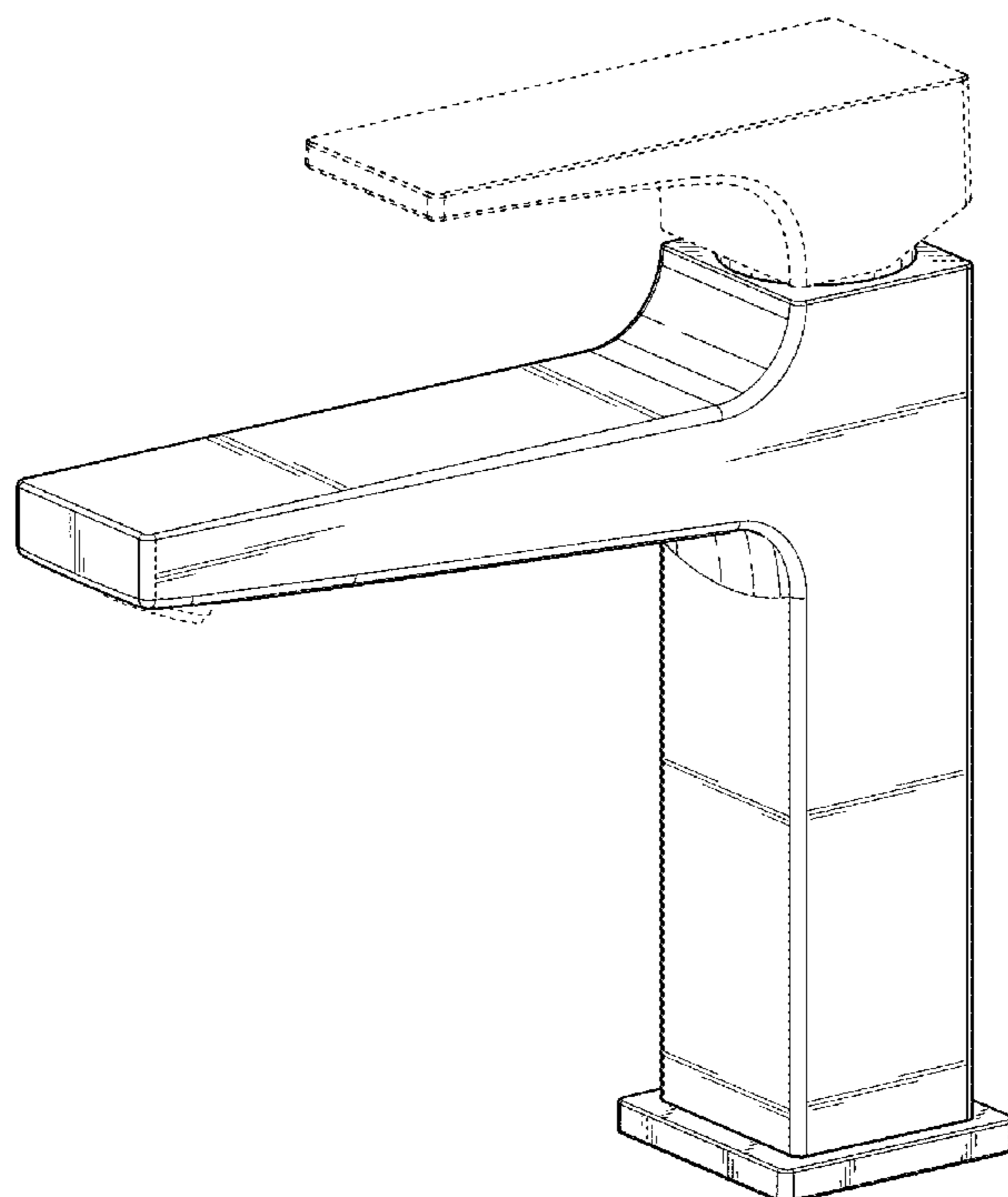
The ornamental design for a faucet, as shown and described.

DESCRIPTION

FIG. 1 is a perspective view of a faucet showing our design; FIG. 2 is a front elevation view; FIG. 3 is a rear elevation view; FIG. 4 is a right side elevation view; FIG. 5 is a left side elevation view; FIG. 6 is a top plan view; and, FIG. 7 is a bottom plan view.

The broken-line disclosure in the view represents a portion of the faucet in which the claimed design is embodied, but which forms no part of the claimed design.

1 Claim, 7 Drawing Sheets



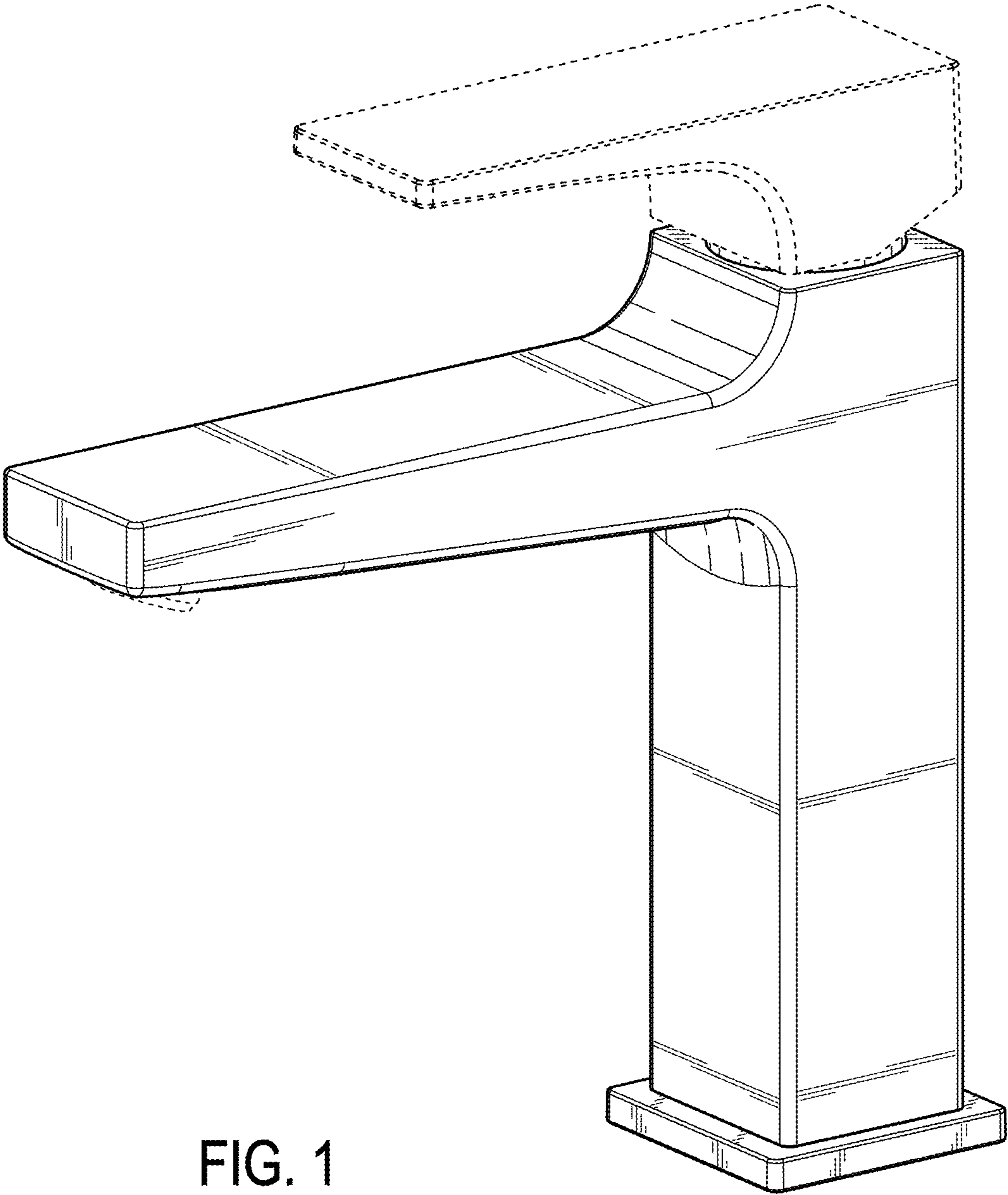


FIG. 1

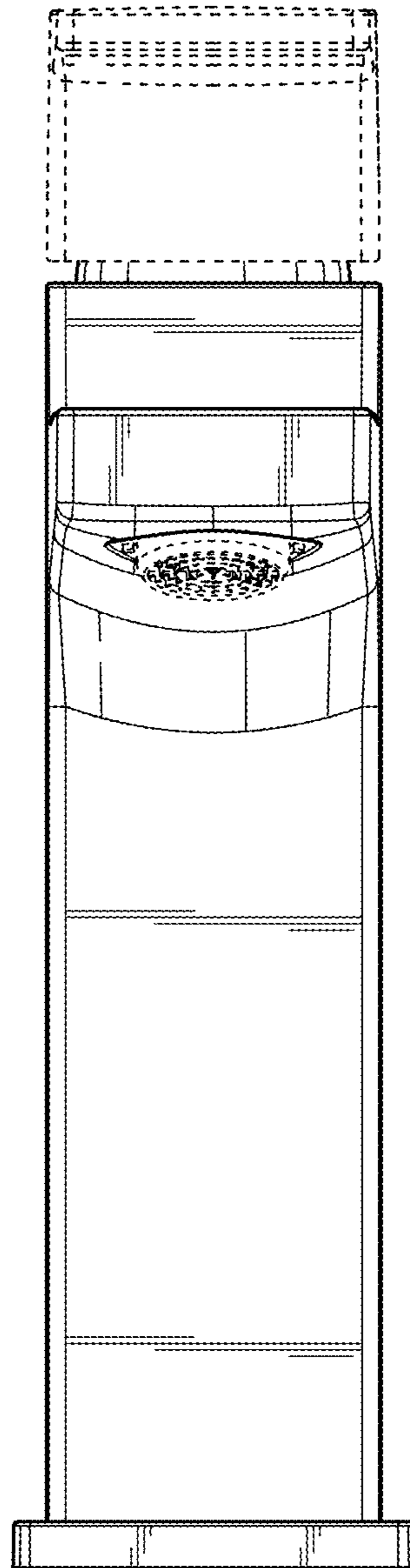


FIG. 2

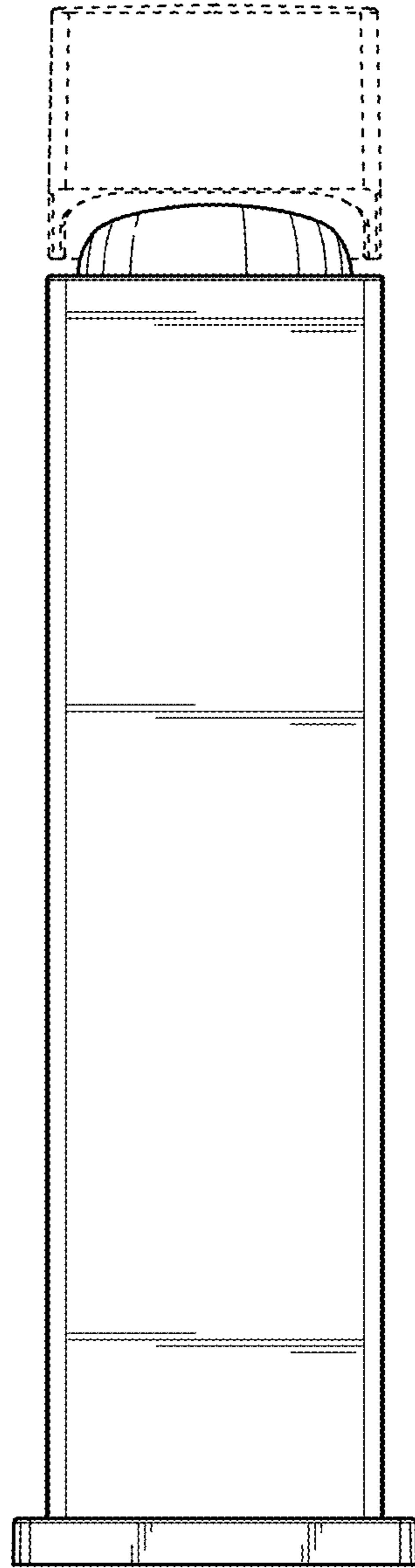


FIG. 3

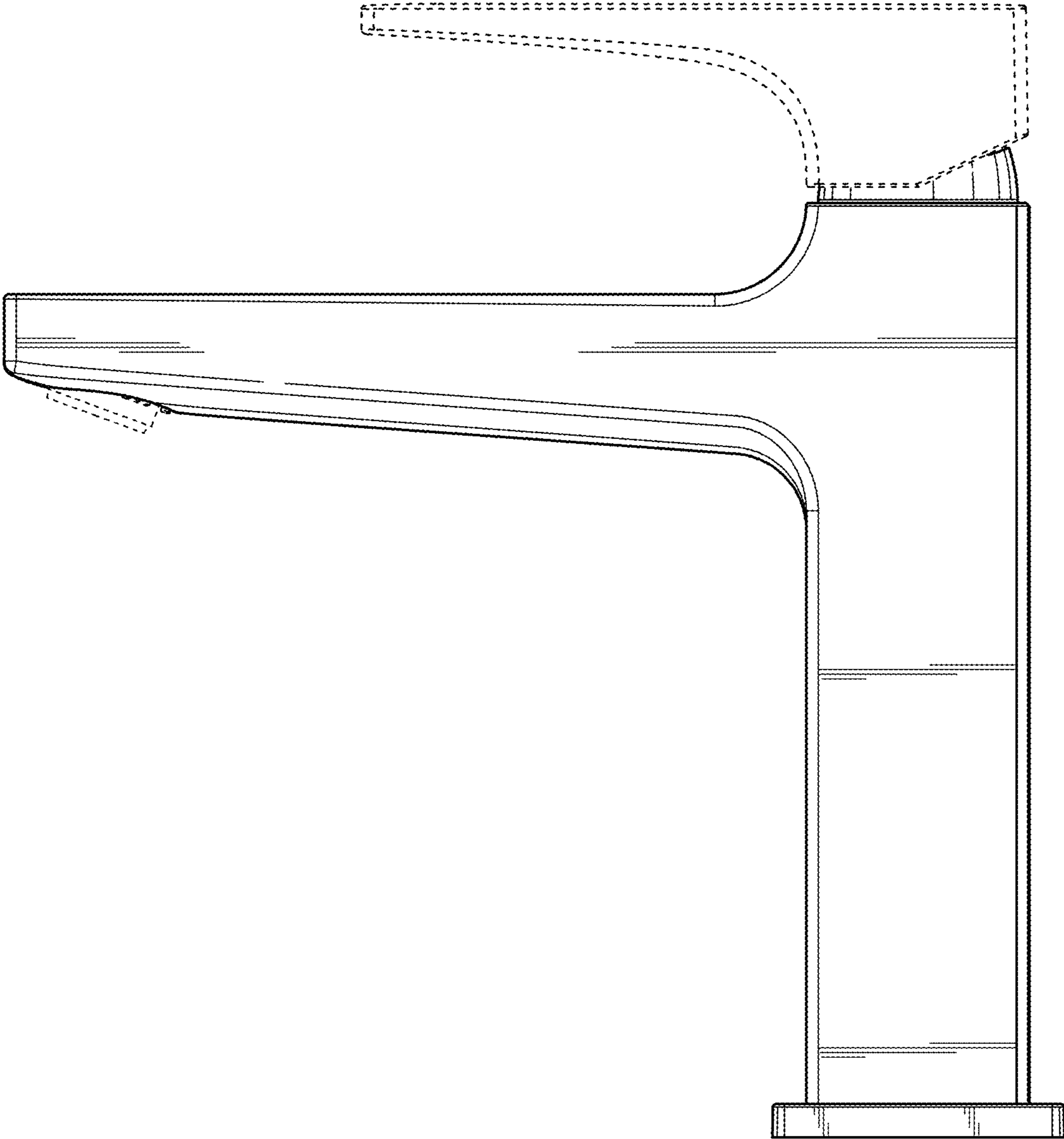


FIG. 4

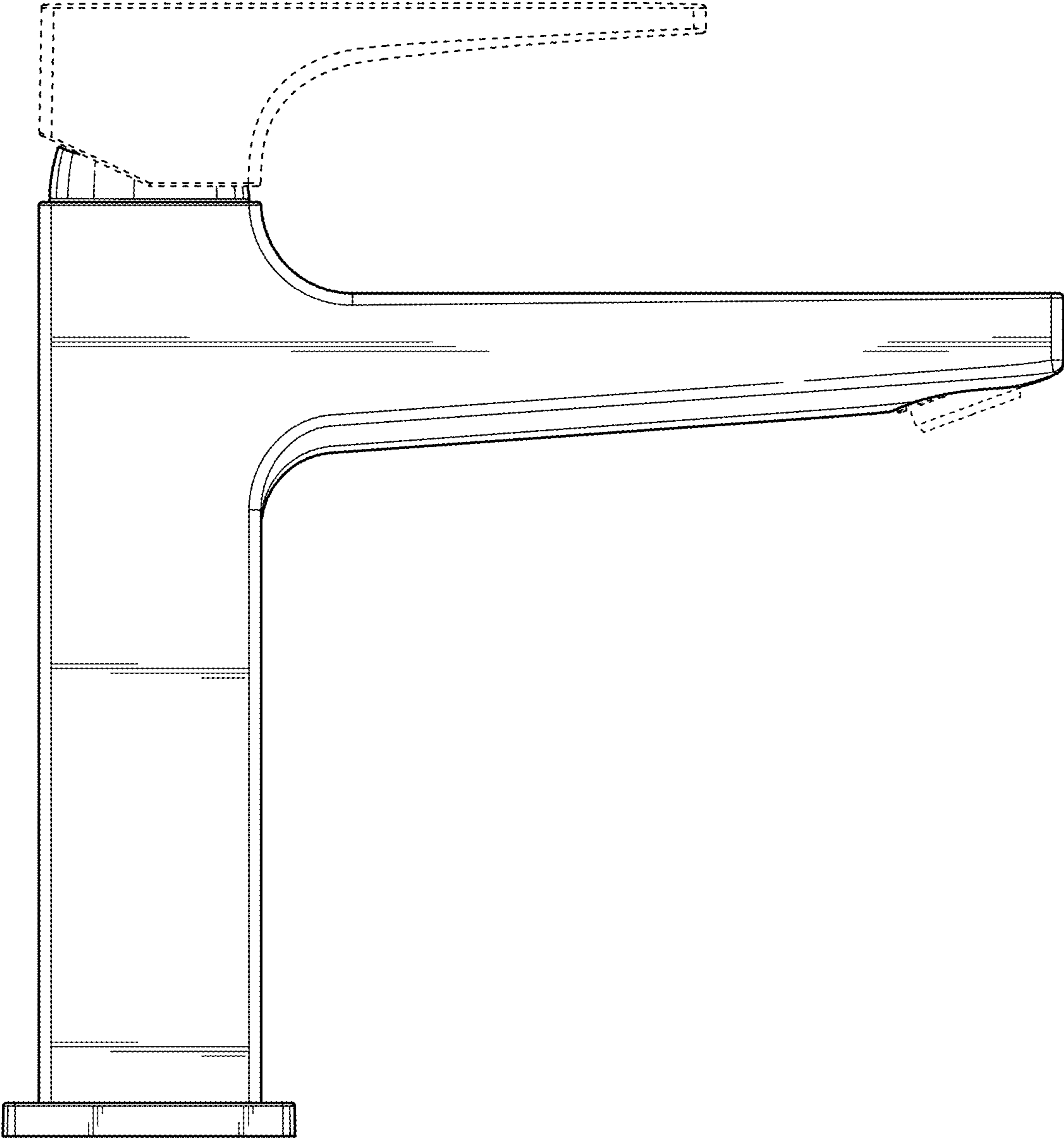


FIG. 5

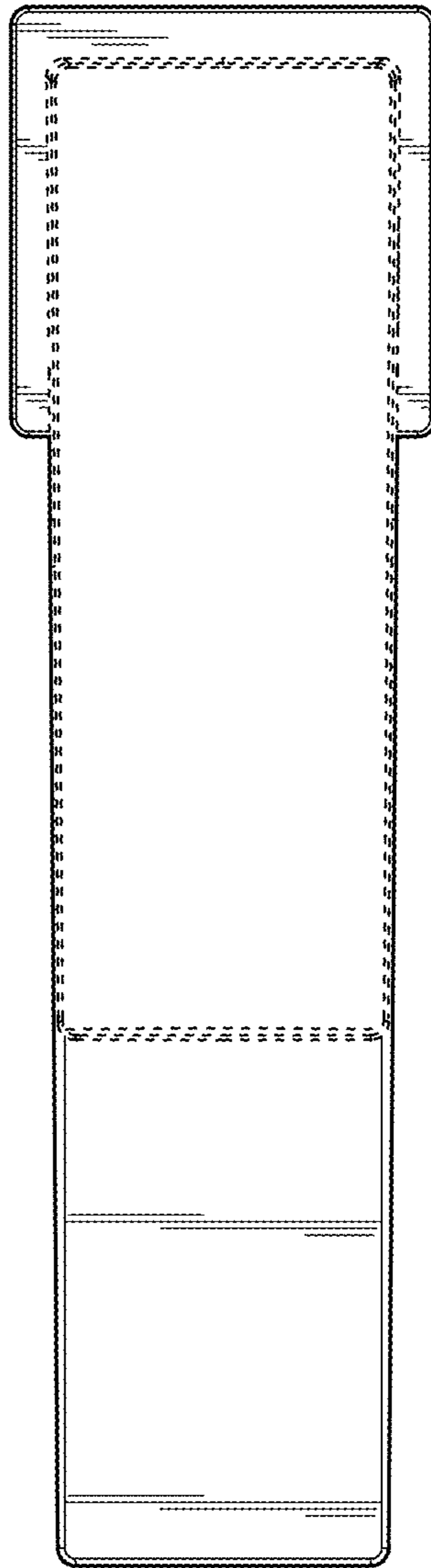


FIG. 6

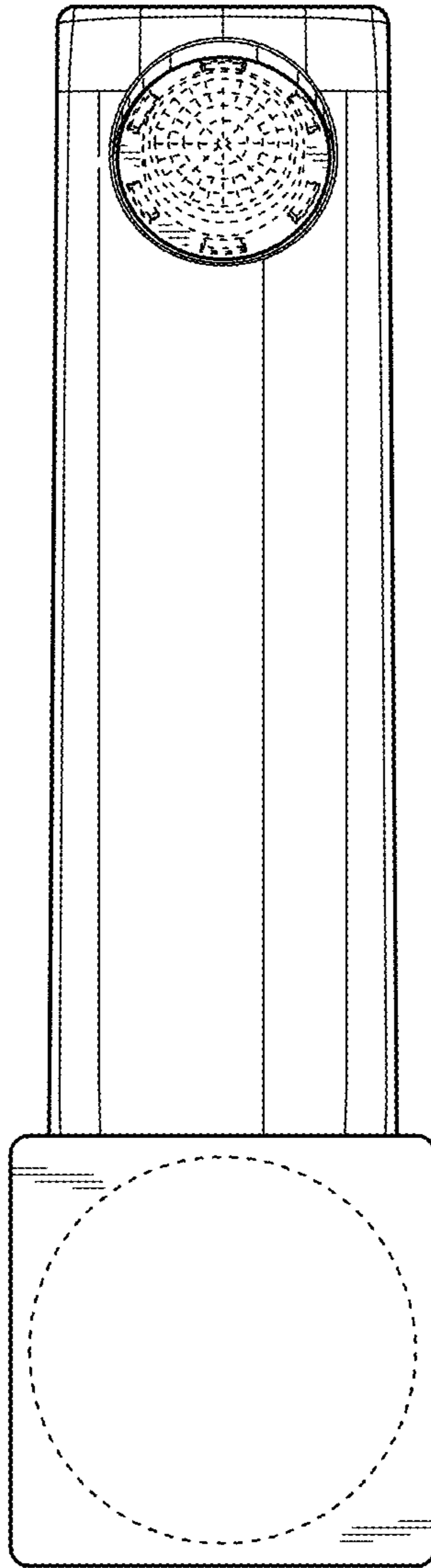


FIG. 7