



US00D809105S

(12) **United States Design Patent**
Cheng

(10) **Patent No.:** **US D809,105 S**

(45) **Date of Patent:** **** Jan. 30, 2018**

(54) **GOLF STYLE FAUCET**

(71) Applicant: **Forward Aqua Co., Ltd.**, Taichung (TW)

(72) Inventor: **Meng-Feng Cheng**, Taichung (TW)

(73) Assignee: **Forward Aqua Co., Ltd.**, Taichung (TW)

(**) Term: **15 Years**

(21) Appl. No.: **29/571,468**

(22) Filed: **Jul. 19, 2016**

(51) **LOC (11) Cl.** **23-01**

(52) **U.S. Cl.**
USPC **D23/242; D23/251**

(58) **Field of Classification Search**
USPC D23/238, 241–243, 249–250, 252, D23/254–255, 257, 245, 251, 256; D8/307–308, 305; D6/539; D21/747
CPC Y10T 137/9464
See application file for complete search history.

(56) **References Cited**

U.S. PATENT DOCUMENTS

D320,646 S * 10/1991 Hardman D23/251
D369,398 S * 4/1996 Joerger D23/242

D473,606 S * 4/2003 Mickelson A63B 53/047
D21/747
D483,842 S * 12/2003 Carrick D23/309
D545,386 S * 6/2007 Nguyen D21/747
D581,018 S * 11/2008 Citterio D23/241
D624,991 S * 10/2010 Kulig D23/242
D685,062 S * 6/2013 Ritchel D23/242
D776,792 S * 1/2017 Neumayr D23/242

* cited by examiner

Primary Examiner — Robert A Delehanty

(74) *Attorney, Agent, or Firm* — Alan D. Kamrath; Kamrath IP Lawfirm, P.A.

(57) **CLAIM**

The ornamental design for a golf style faucet, as shown and described, and no ornamentation is claimed for the bottom view.

DESCRIPTION

FIG. 1 is a perspective view of a golf style faucet showing my new design;

FIG. 2 is a front elevational view thereof;

FIG. 3 is a rear elevational view thereof;

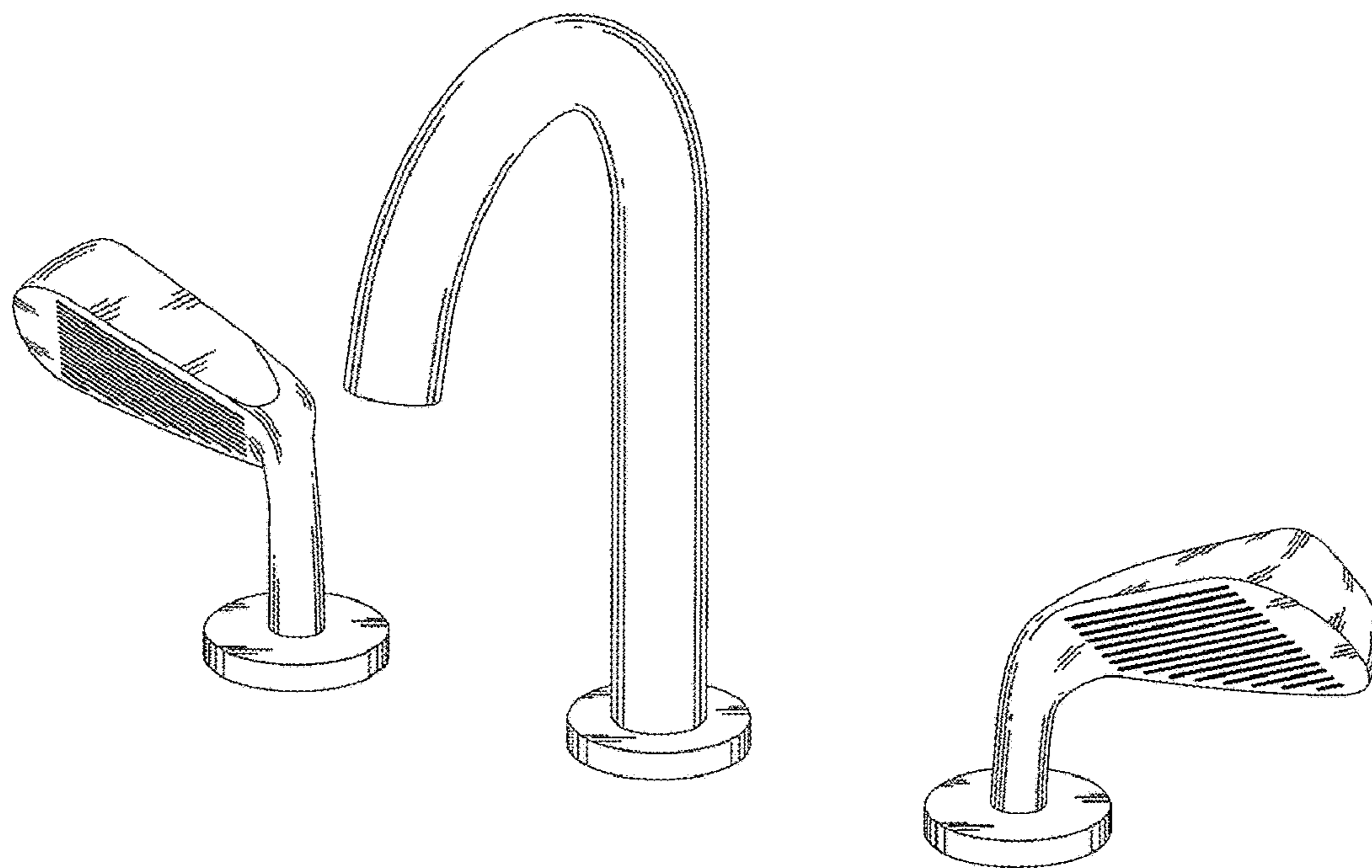
FIG. 4 is a left side elevational view thereof;

FIG. 5 is a right side elevational view thereof;

FIG. 6 is a top plan view thereof; and,

FIG. 7 is another perspective view thereof.

1 Claim, 4 Drawing Sheets



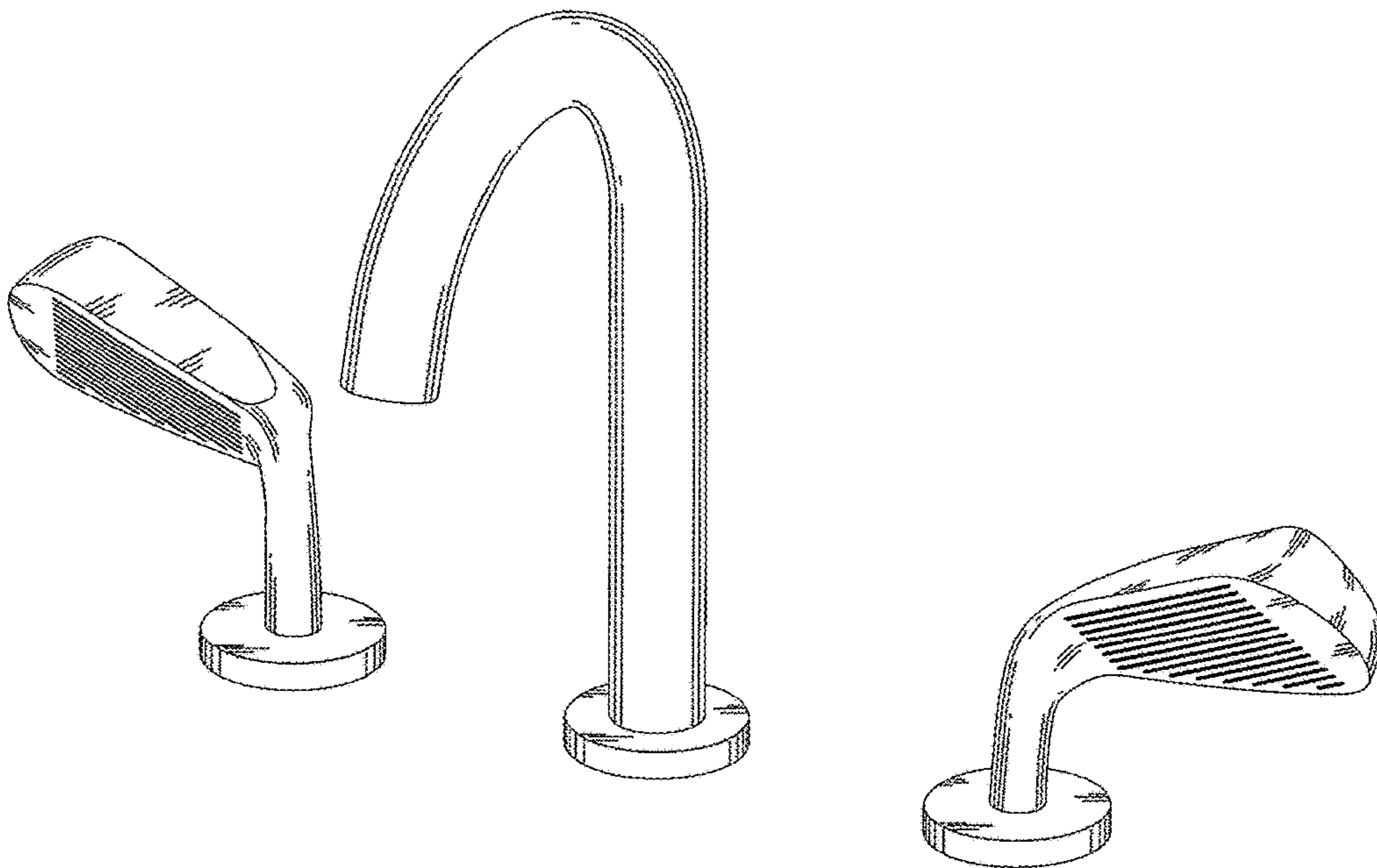


FIG. 1

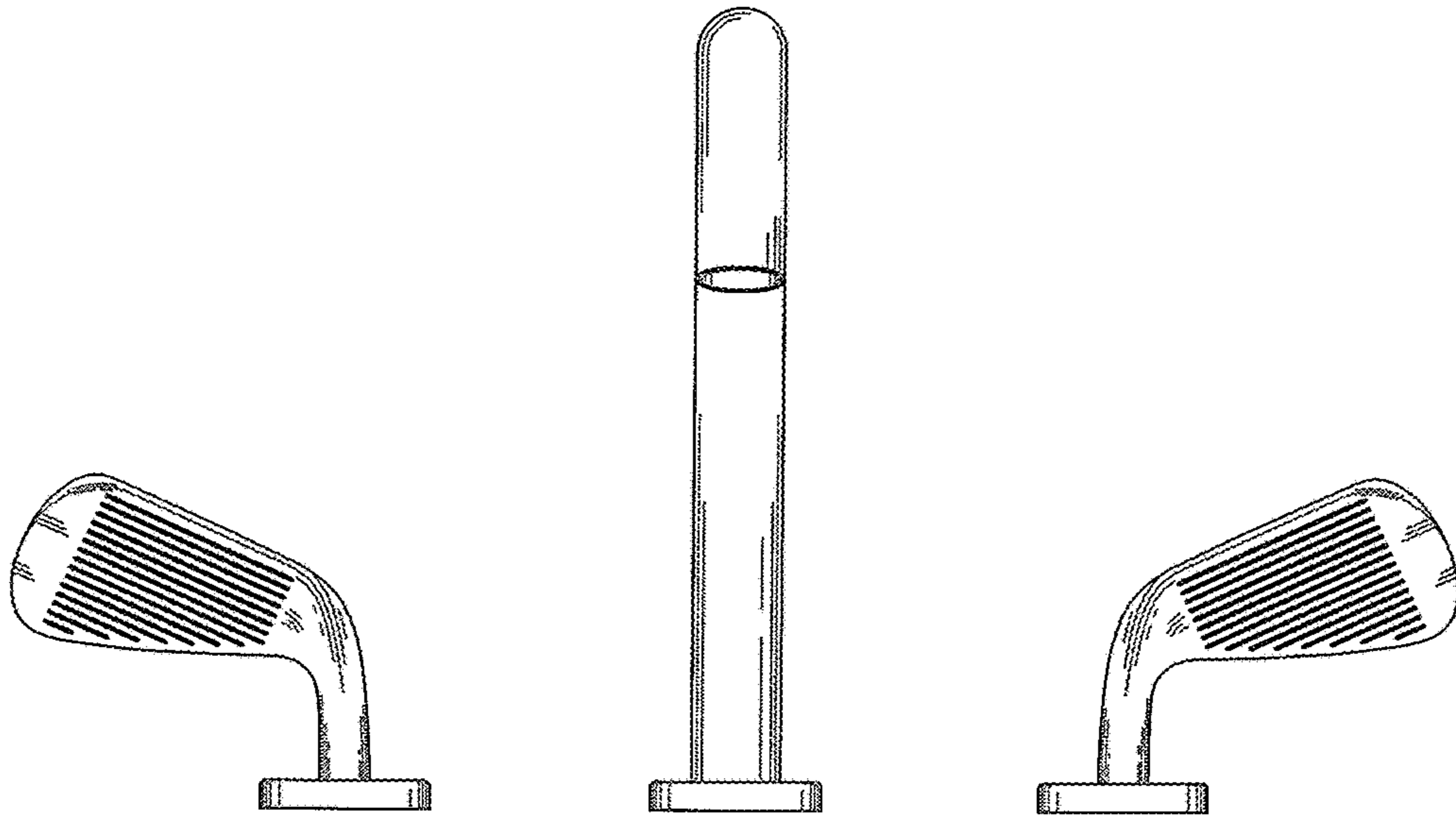


FIG. 2

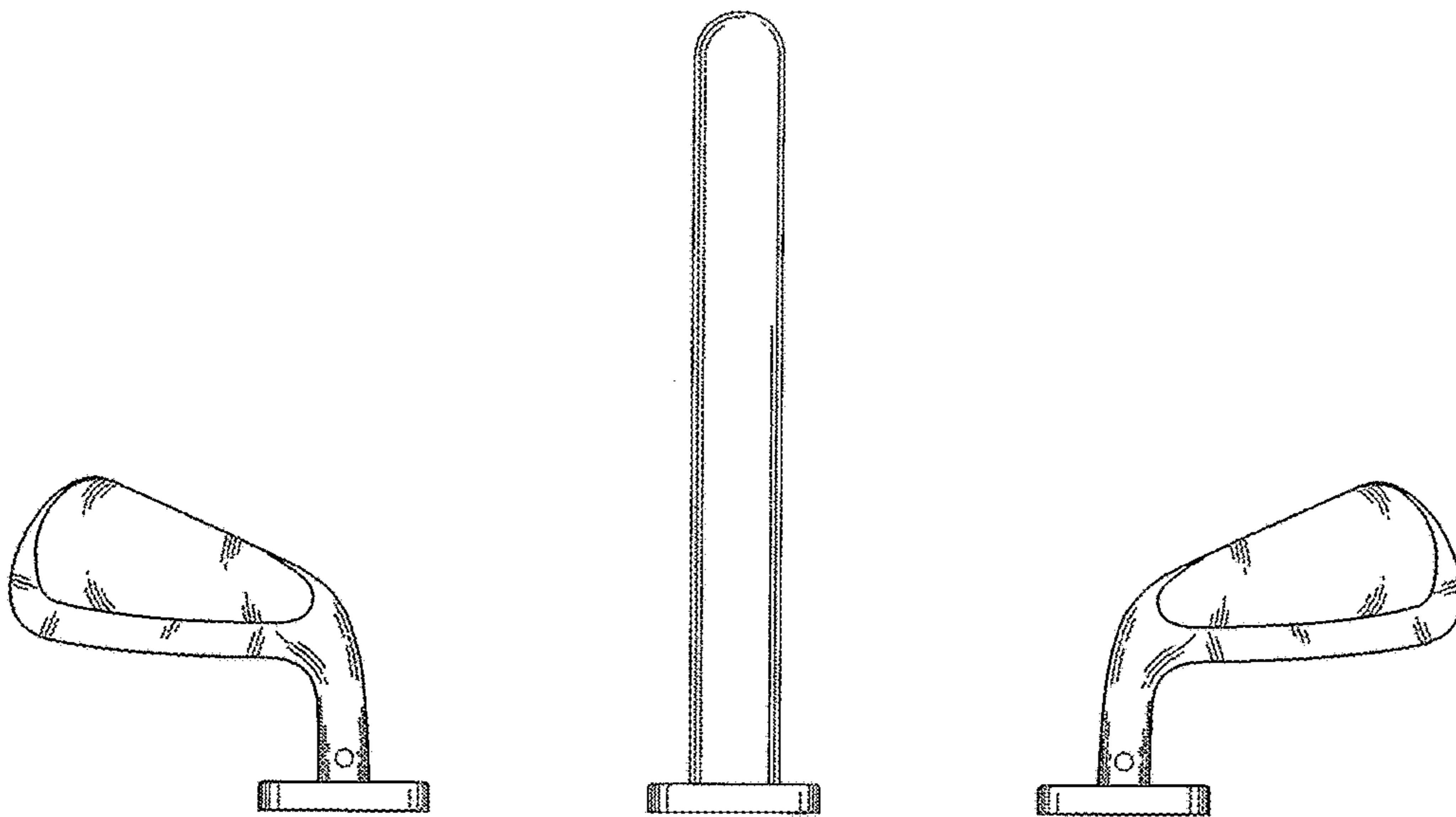


FIG. 3

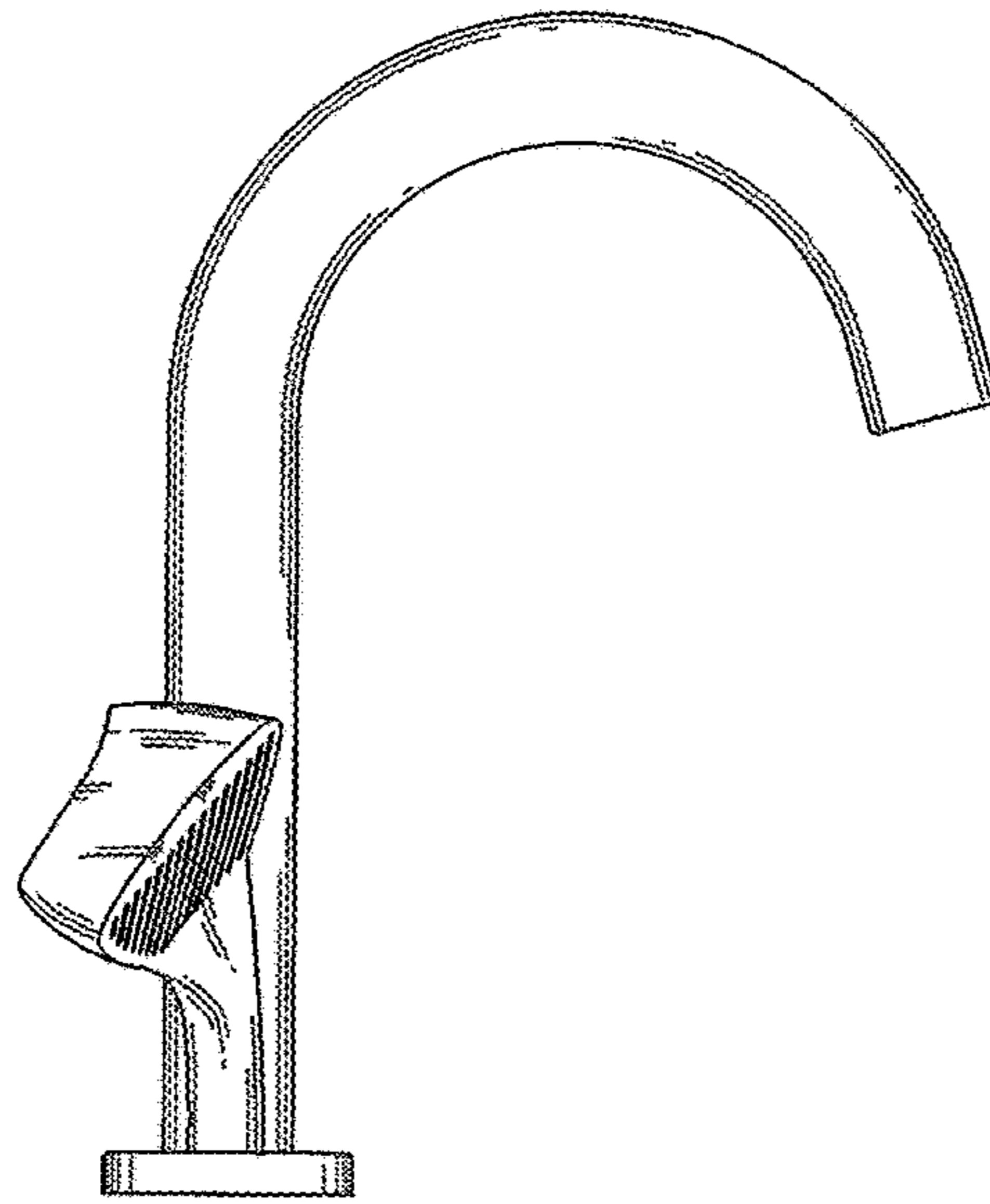


FIG. 4

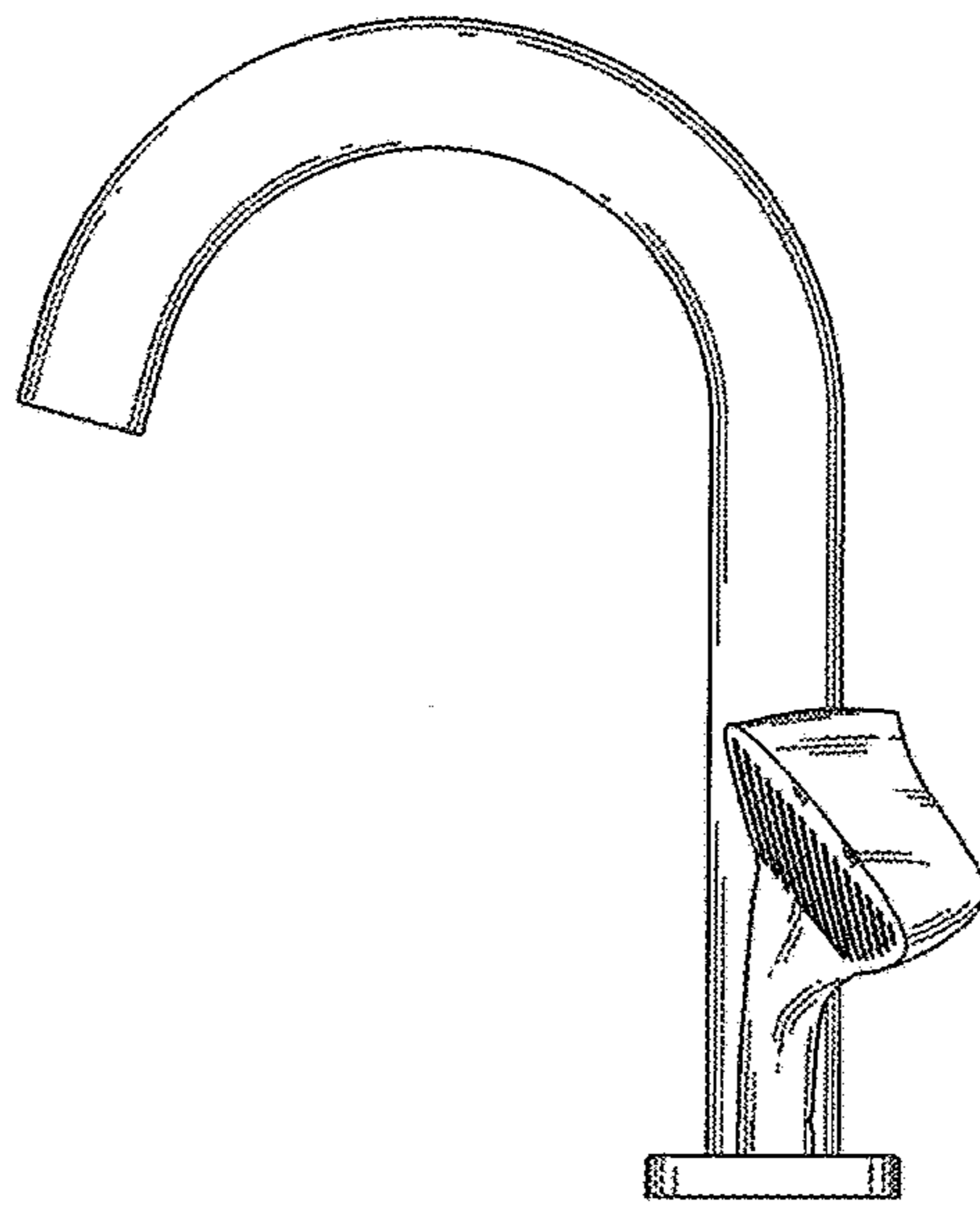


FIG. 5

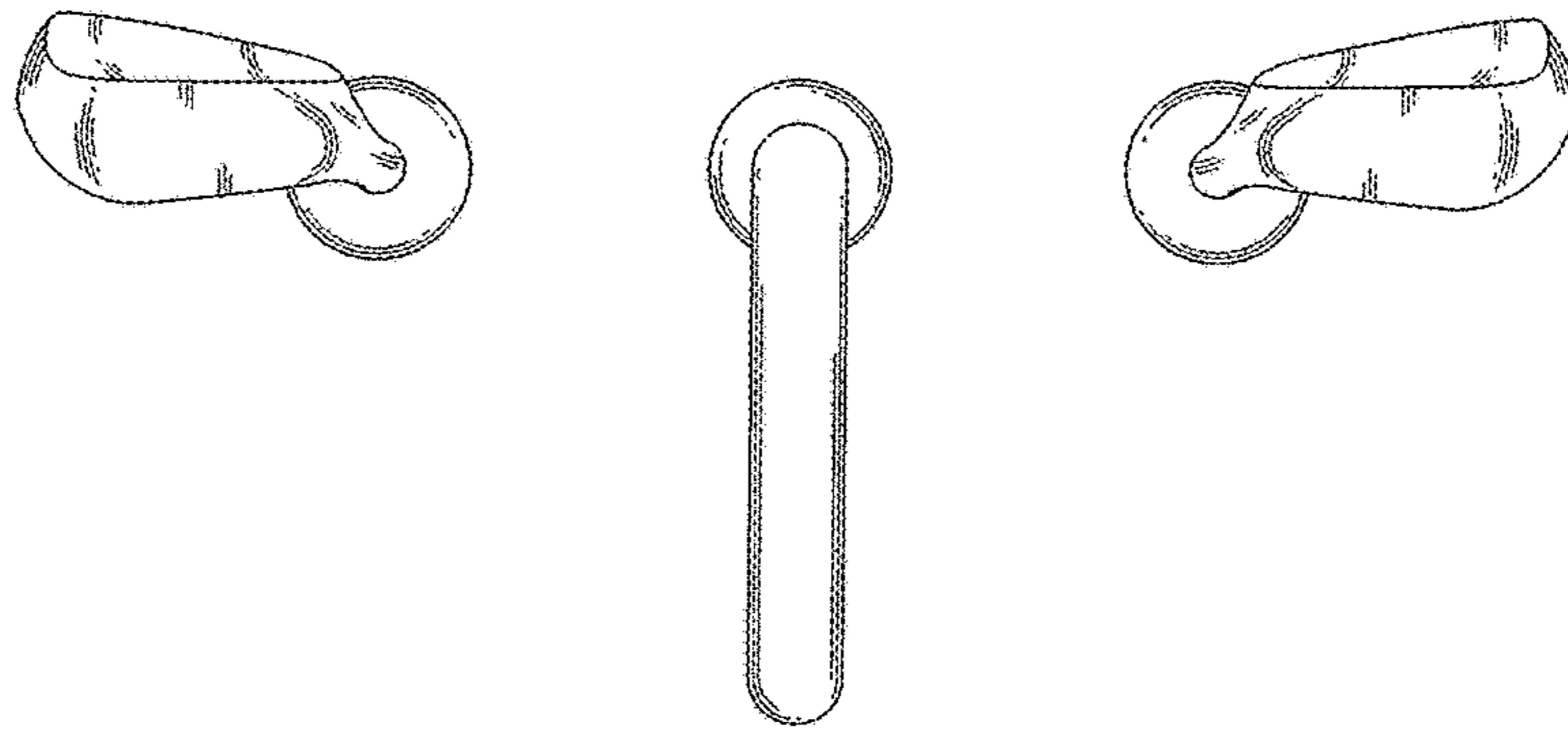


FIG. 6

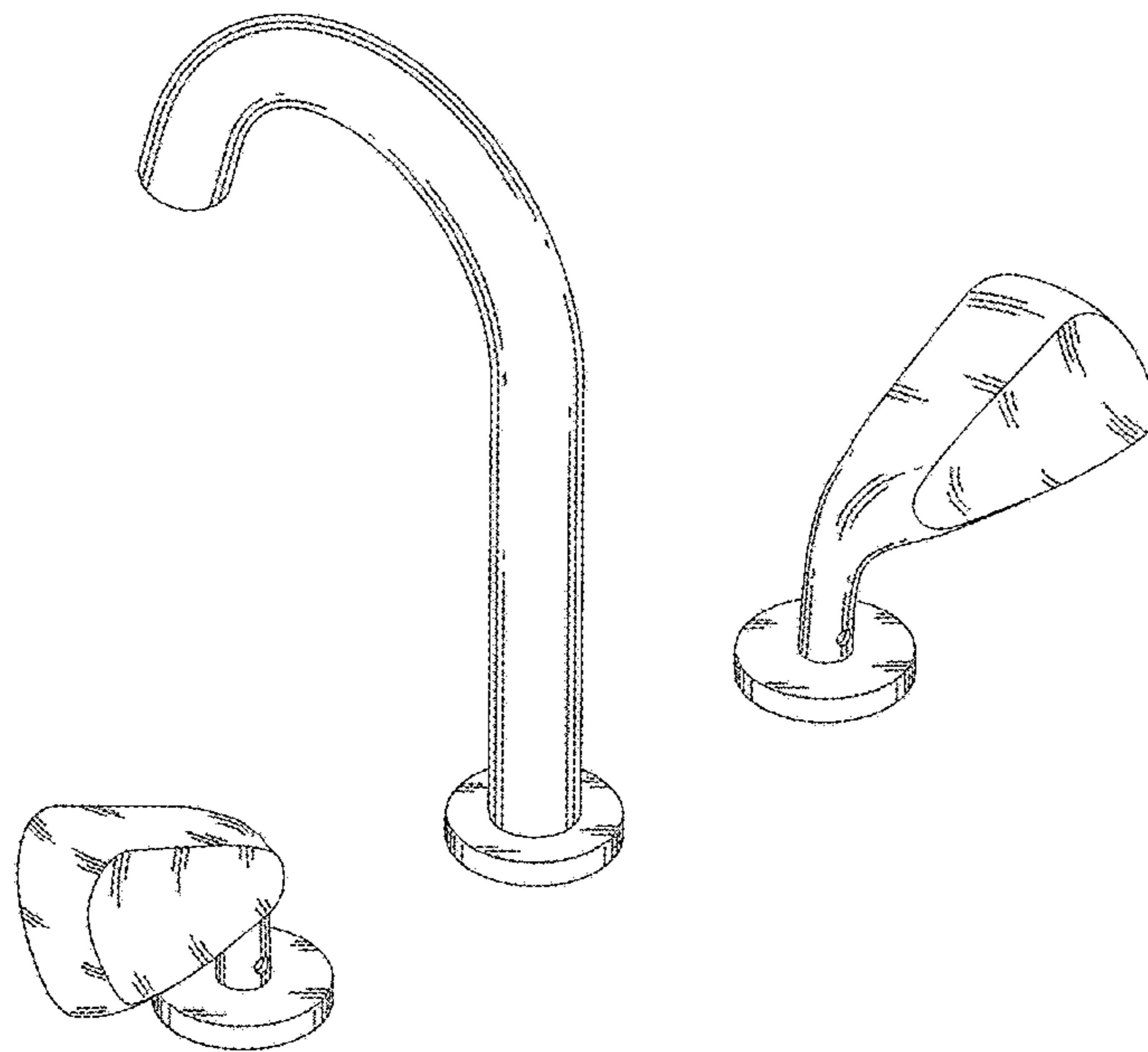


FIG. 7