



US00D809103S

(12) **United States Design Patent**
Schoenherr et al.

(10) **Patent No.:** **US D809,103 S**
(45) **Date of Patent:** **** Jan. 30, 2018**

(54) **FAUCET**
(71) Applicant: **HANSGROHE SE**, Schiltach (DE)
(72) Inventors: **Tom Schoenherr**, Stuttgart (DE);
Andreas Diefenbach,
Ludwigsburg-Oßweil (DE); **Yunwei**
Zhu, Stuttgart (DE)
(73) Assignee: **Hansgrohe SE**, Schillach (DE)
(**) Term: **15 Years**

D700,956 S * 3/2014 Schoenherr D23/238
D760,354 S * 6/2016 Citterio D23/238
D760,355 S * 6/2016 Citterio D23/238
D762,820 S * 8/2016 Schoenherr D23/238
D767,721 S * 9/2016 Yoshioka D23/238

FOREIGN PATENT DOCUMENTS

CN 302191608 11/2012
CN 302233251 12/2012
CN 302642045 11/2013
CN 303552388 1/2016
EM 001352462-0001 11/2012
EM 001419832-0002 8/2014

* cited by examiner

Primary Examiner — Robert A Delehanty
(74) *Attorney, Agent, or Firm* — Lora J. Graentzdoerffer

(21) Appl. No.: **29/586,638**
(22) Filed: **Dec. 6, 2016**
(30) **Foreign Application Priority Data**
Jun. 8, 2016 (EM) 003180363-0003
(51) **LOC (11) Cl.** **23-01**
(52) **U.S. Cl.**
USPC **D23/238**
(58) **Field of Classification Search**
USPC D23/238, 241–243, 249–250, 252,
D23/254–255, 257; D8/307–308
CPC Y10T 137/9464
See application file for complete search history.

(57) **CLAIM**

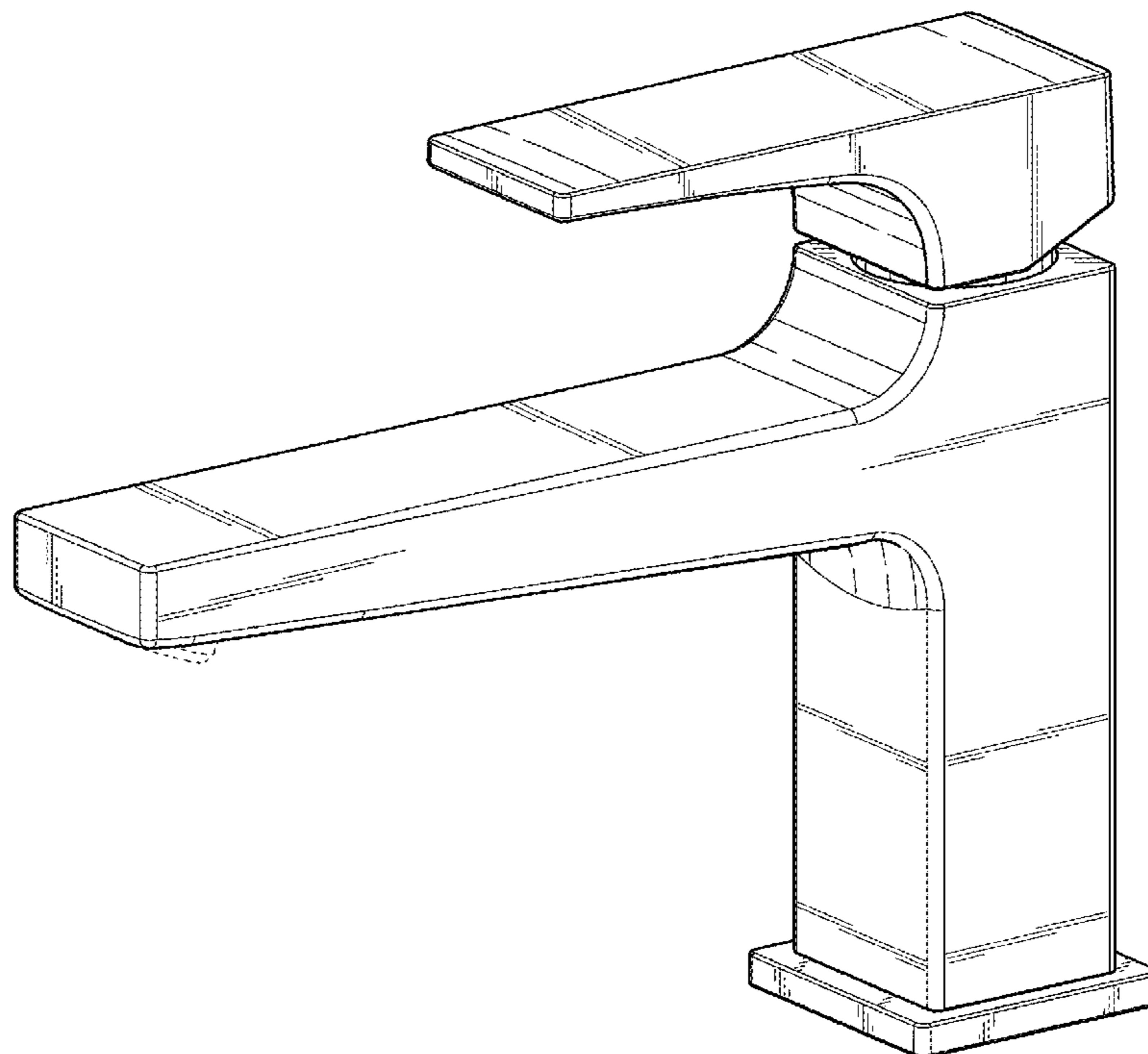
The ornamental design for a faucet, as shown and described.

DESCRIPTION

FIG. 1 is a perspective view of a faucet showing our design;
FIG. 2 is a front elevation view;
FIG. 3 is a rear elevation view;
FIG. 4 is a right side elevation view;
FIG. 5 is a left side elevation view;
FIG. 6 is a top plan view; and,
FIG. 7 is a bottom plan view.
The broken-line disclosure in the view represents a portion
of the faucet in which the claimed design is embodied, but
which forms no part of the claimed design.

(56) **References Cited**
U.S. PATENT DOCUMENTS
D517,169 S * 3/2006 Ogata D23/238
D645,938 S * 9/2011 Ando D23/238

1 Claim, 7 Drawing Sheets



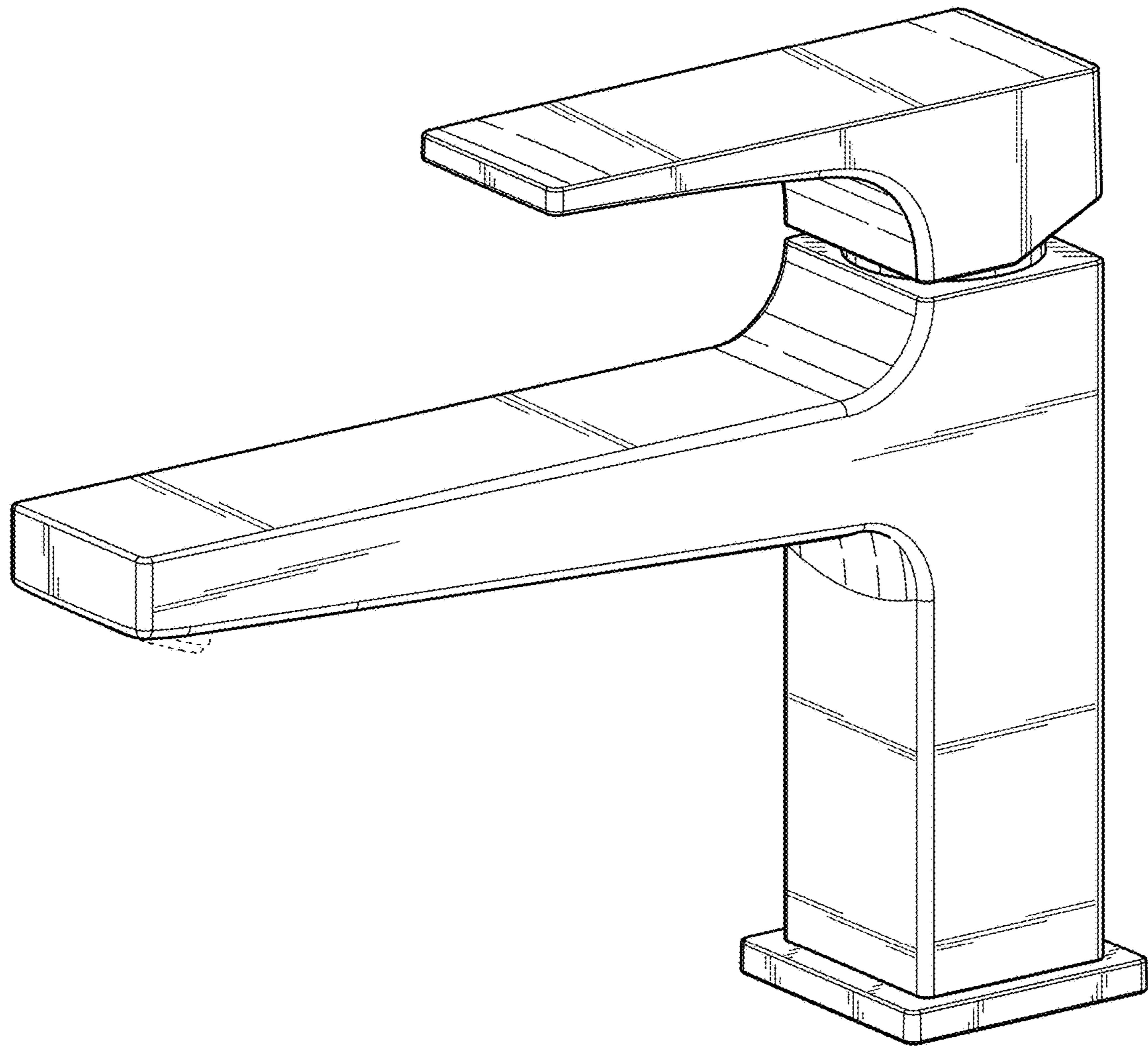


FIG. 1

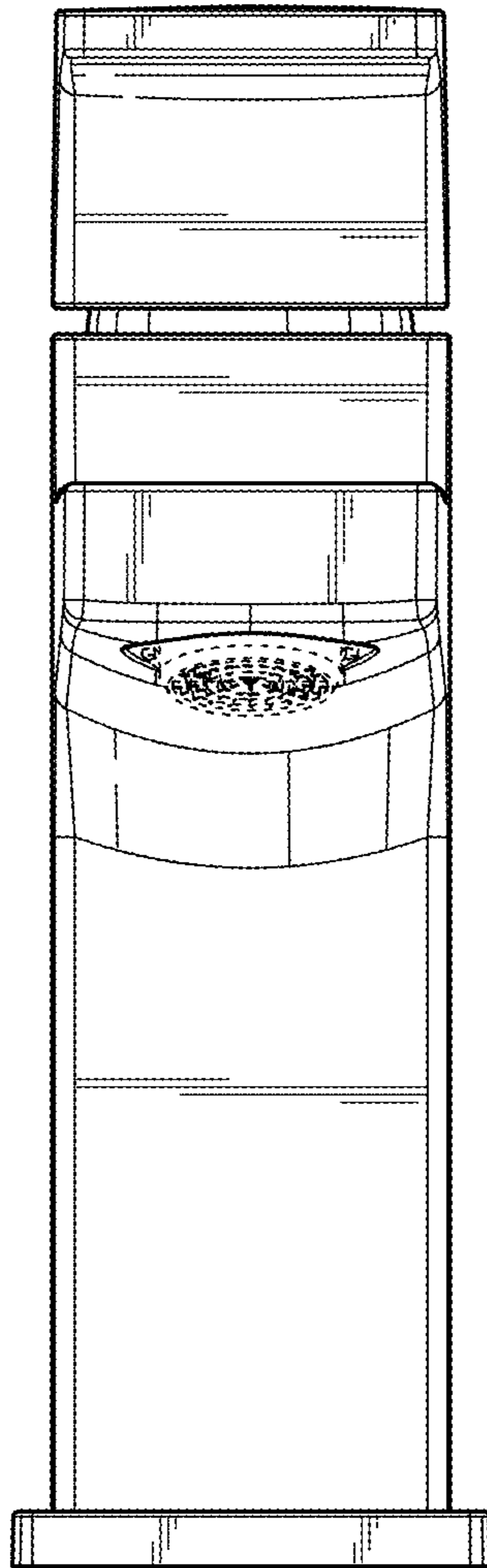


FIG. 2

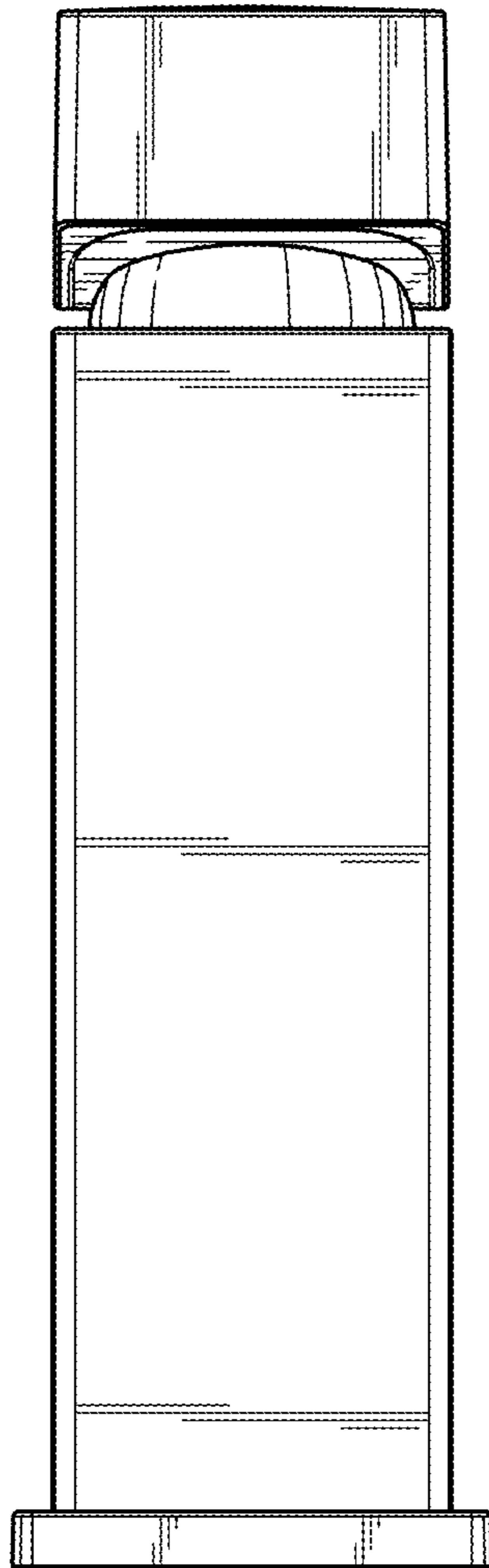


FIG. 3

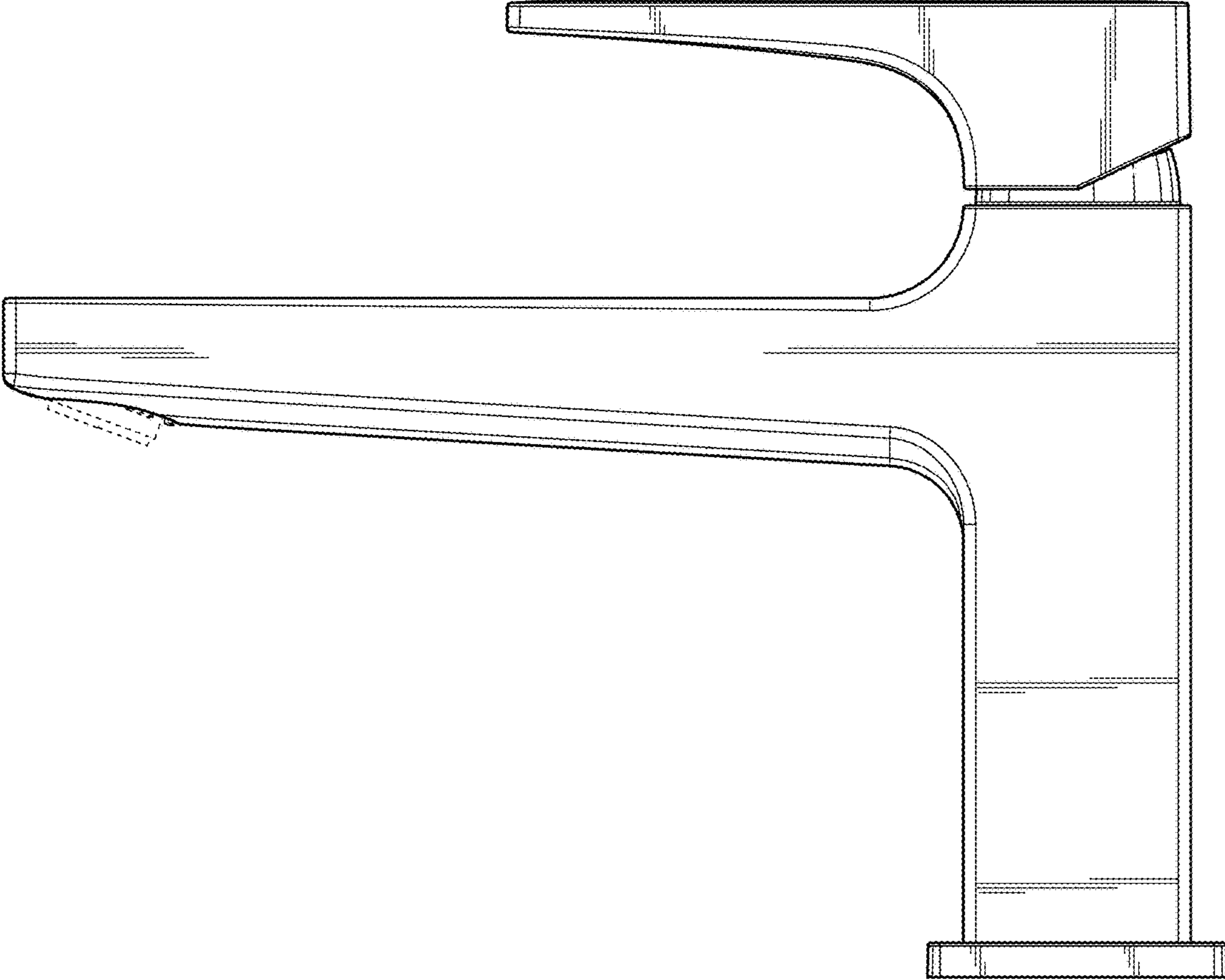


FIG. 4

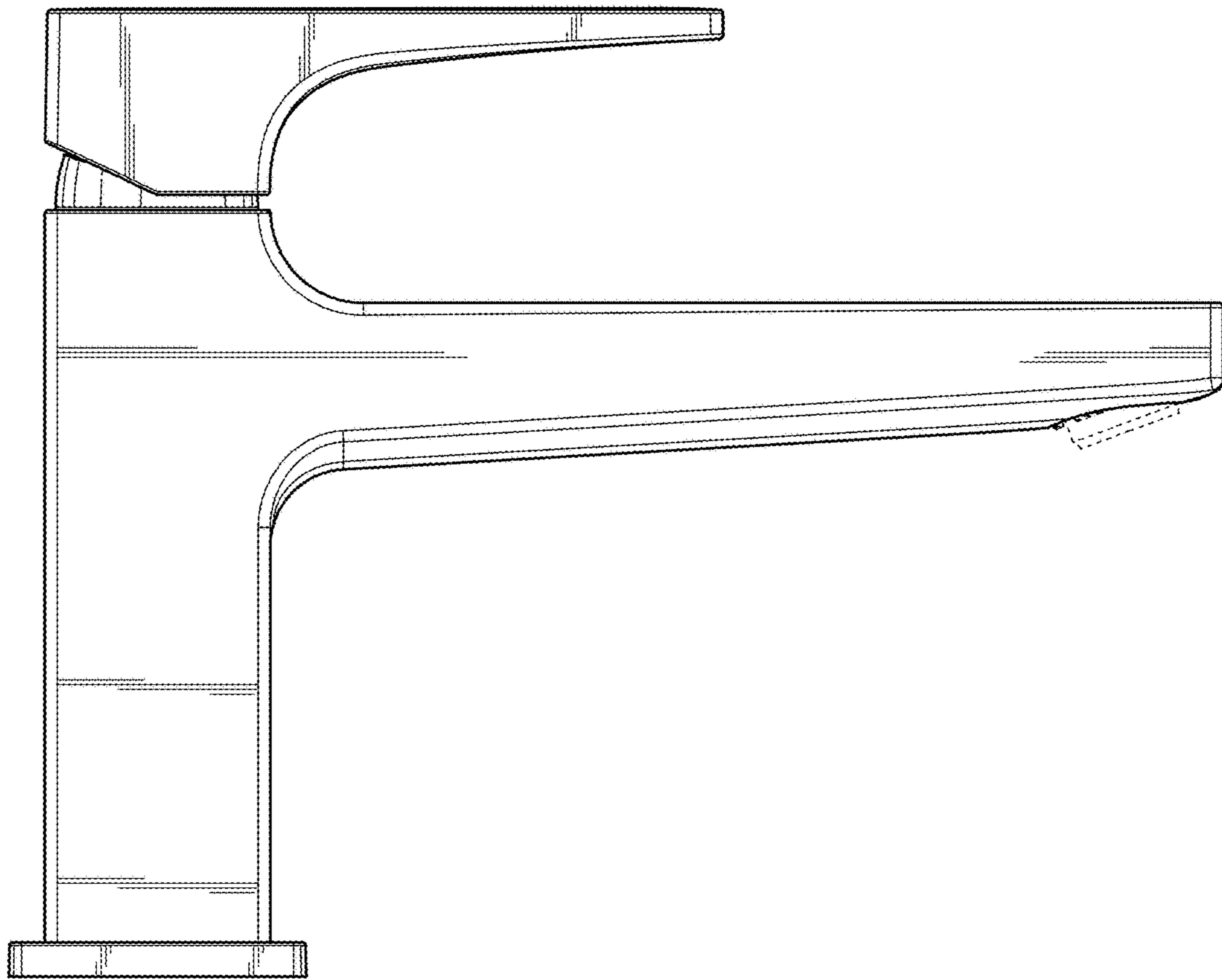


FIG. 5

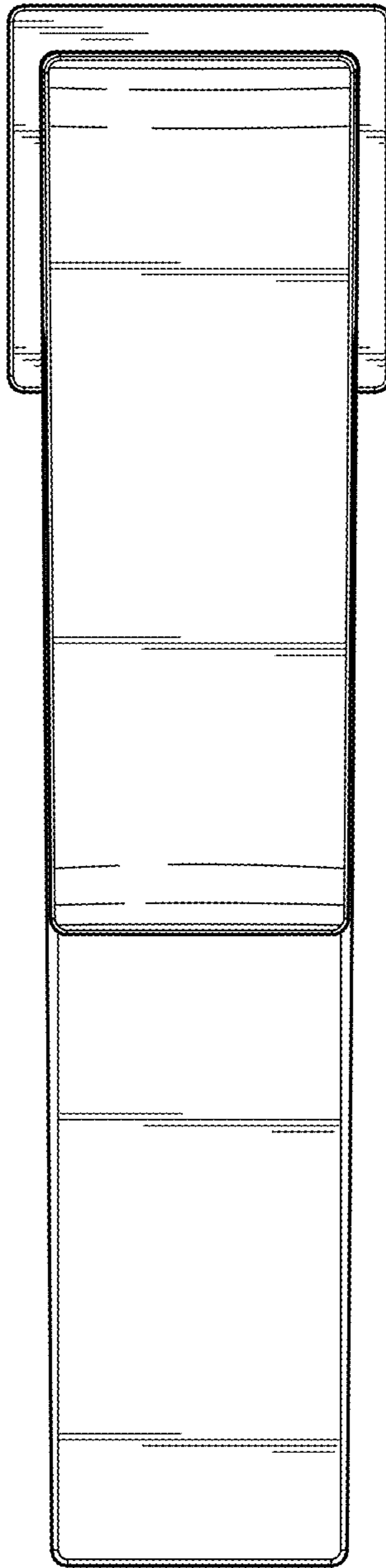


FIG. 6

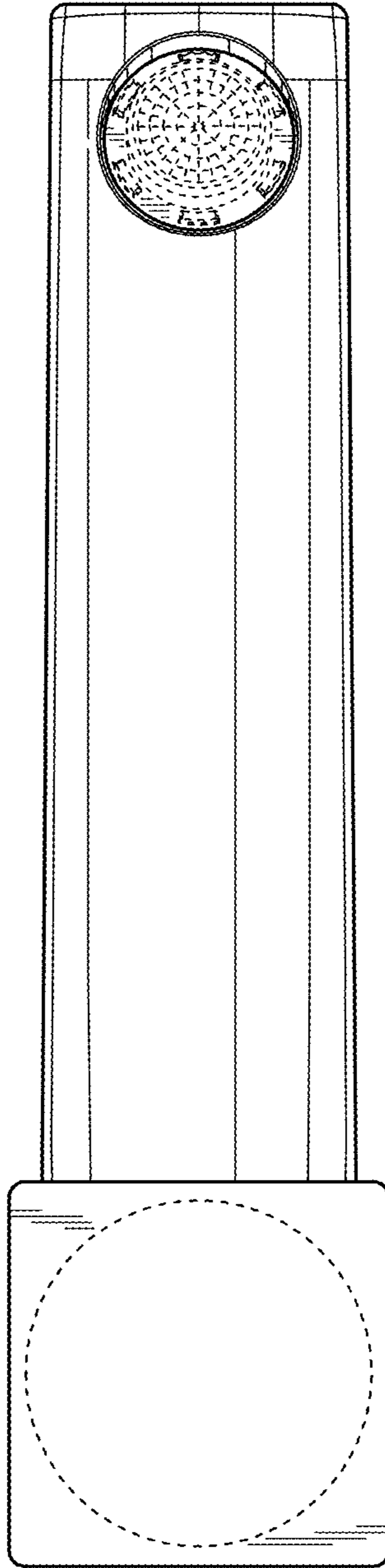


FIG. 7