



US00D809102S

(12) **United States Design Patent** (10) **Patent No.:** **US D809,102 S**
Jordan et al. (45) **Date of Patent:** **** Jan. 30, 2018**

(54) **SPRAYER**
(71) Applicant: **The Sherwin-Williams Company,**
Cleveland, OH (US)
(72) Inventors: **Terry D. Jordan,** Warrensville Heights,
OH (US); **James J. Johnson,**
Warrensville Heights, OH (US); **Mary**
M. Ilko, Warrensville Heights, OH (US)
(73) Assignee: **The Sherwin-Williams Company,**
Cleveland, OH (US)
(**) Term: **15 Years**
(21) Appl. No.: **29/576,426**
(22) Filed: **Sep. 2, 2016**
(51) **LOC (11) Cl.** **23-01**
(52) **U.S. Cl.**
USPC **D23/226**
(58) **Field of Classification Search**
USPC D23/213, 223, 226, 225; 239/302, 308,
239/332, 333, 373, DIG. 14; D9/448,
D9/685; 222/1, 401
CPC B05B 7/025; B05B 7/1263; B05B 7/2421;
B05B 7/2408; B05B 1/3436; B05B
9/0861; B65D 83/20
See application file for complete search history.

D162,655 S * 3/1951 Heydt D23/226
D186,737 S * 11/1959 Zaplski 222/399
D283,801 S * 5/1986 Brown D23/225
D332,652 S * 1/1993 Foster D23/226
D352,546 S * 11/1994 Silvenis D23/226
D358,198 S * 5/1995 Wadsworth D23/213
D537,145 S * 2/2007 Huang D23/226
D683,427 S * 5/2013 Moore D23/226
D685,058 S * 6/2013 Rigolio D23/226
D700,841 S * 3/2014 Natersky D9/448

* cited by examiner

Primary Examiner — Robin V Webster

(74) *Attorney, Agent, or Firm* — Black, McCuskey,
Souers & Arbaugh; Daniel A. Sherwin

(57) **CLAIM**

The ornamental design for a sprayer, as shown and described.

DESCRIPTION

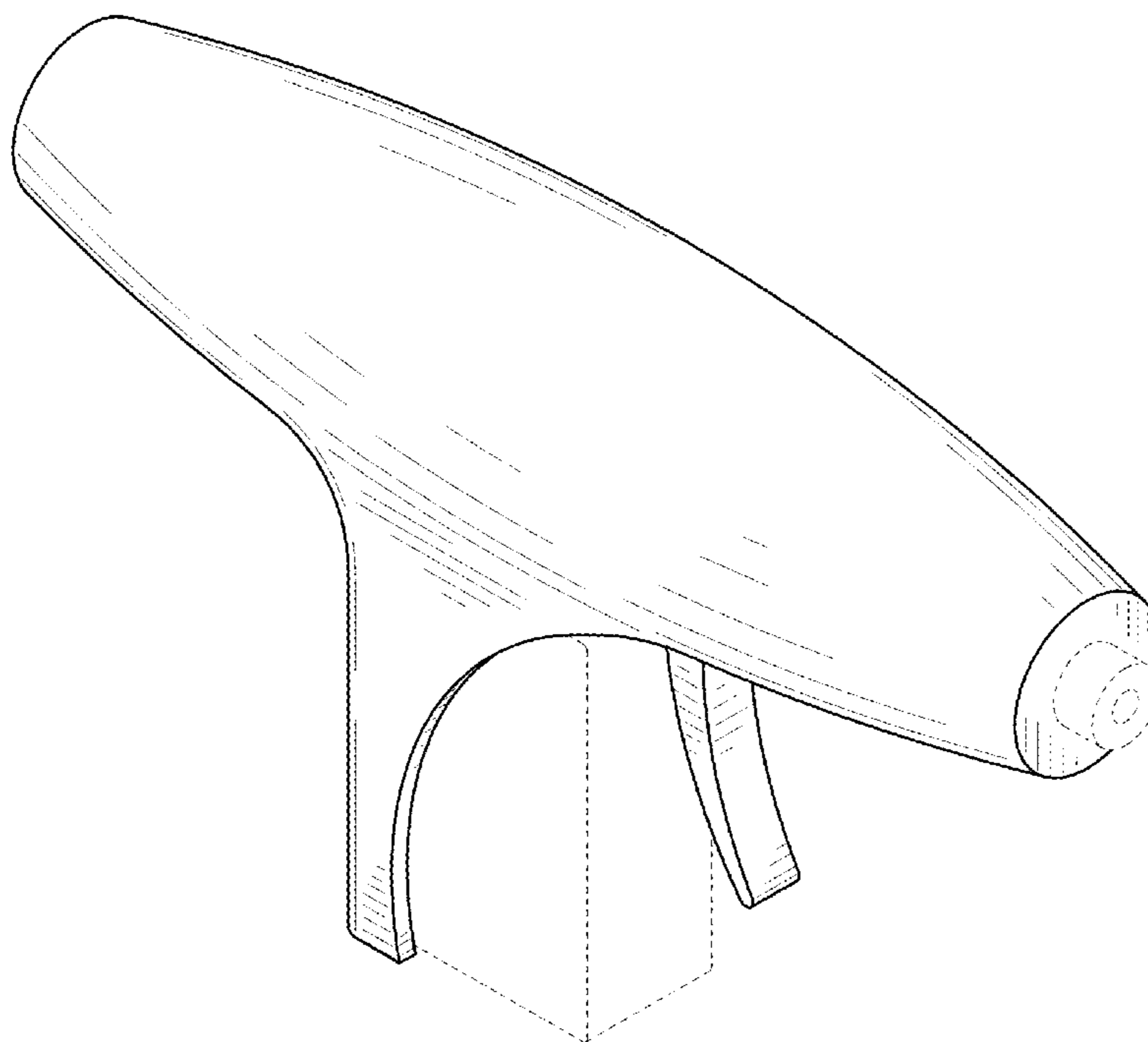
FIG. 1 is a perspective view of a sprayer;
FIG. 2 is a side view of the sprayer of FIG. 1, the opposite side view being a mirror image;
FIG. 3 is a top view of the sprayer of FIG. 1;
FIG. 4 is a bottom view of the sprayer of FIG. 1;
FIG. 5 is a front view of the sprayer of FIG. 1; and,
FIG. 6 is a rear view of the sprayer of FIG. 1.
The broken line showing of environment is included for the purpose of illustrating and forms no part of the claimed design.

1 Claim, 3 Drawing Sheets

(56) **References Cited**

U.S. PATENT DOCUMENTS

D115,884 S * 7/1939 Worthington D23/225
D159,897 S * 8/1950 Edelstone et al. D21/572



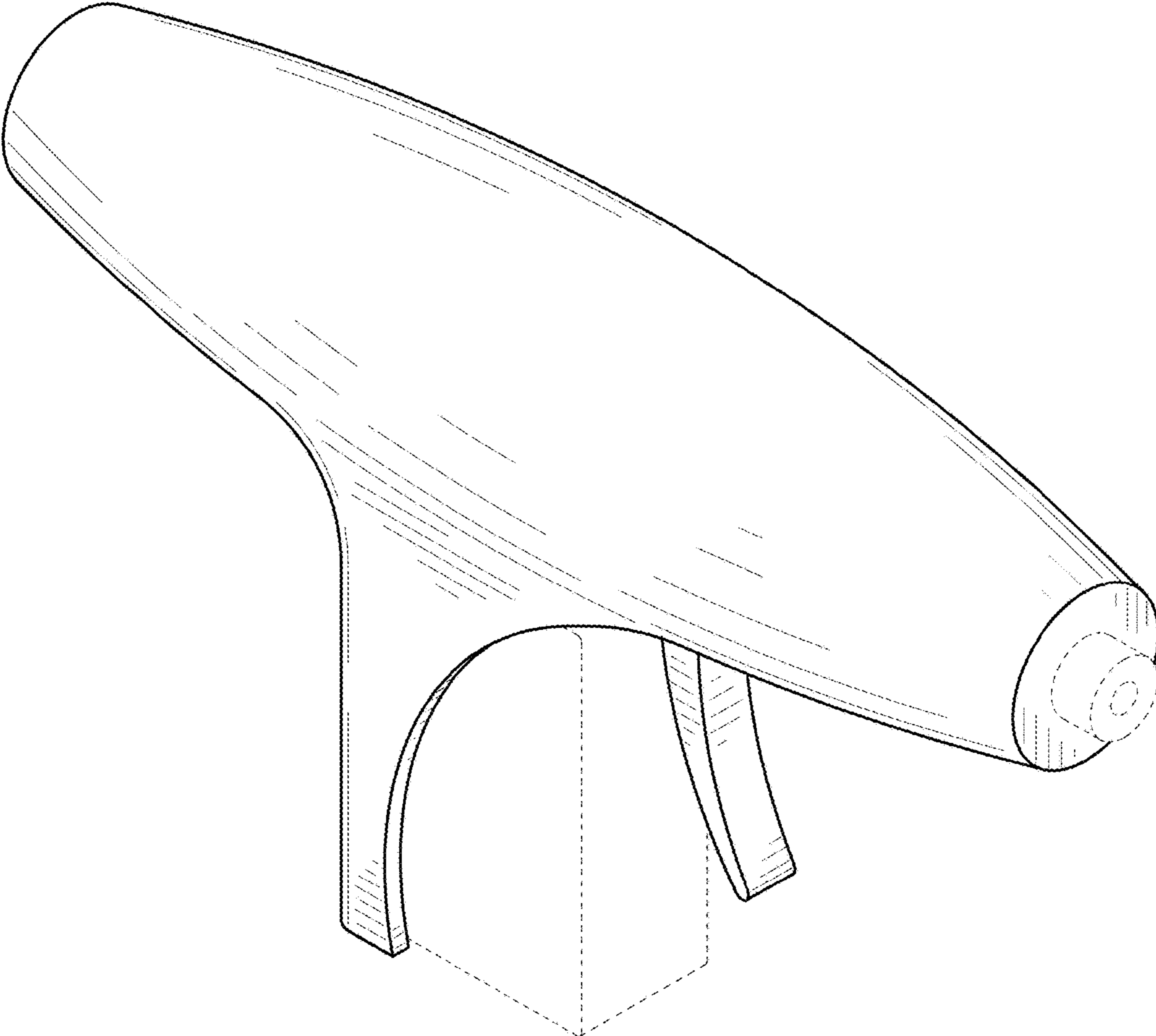


Fig. 1

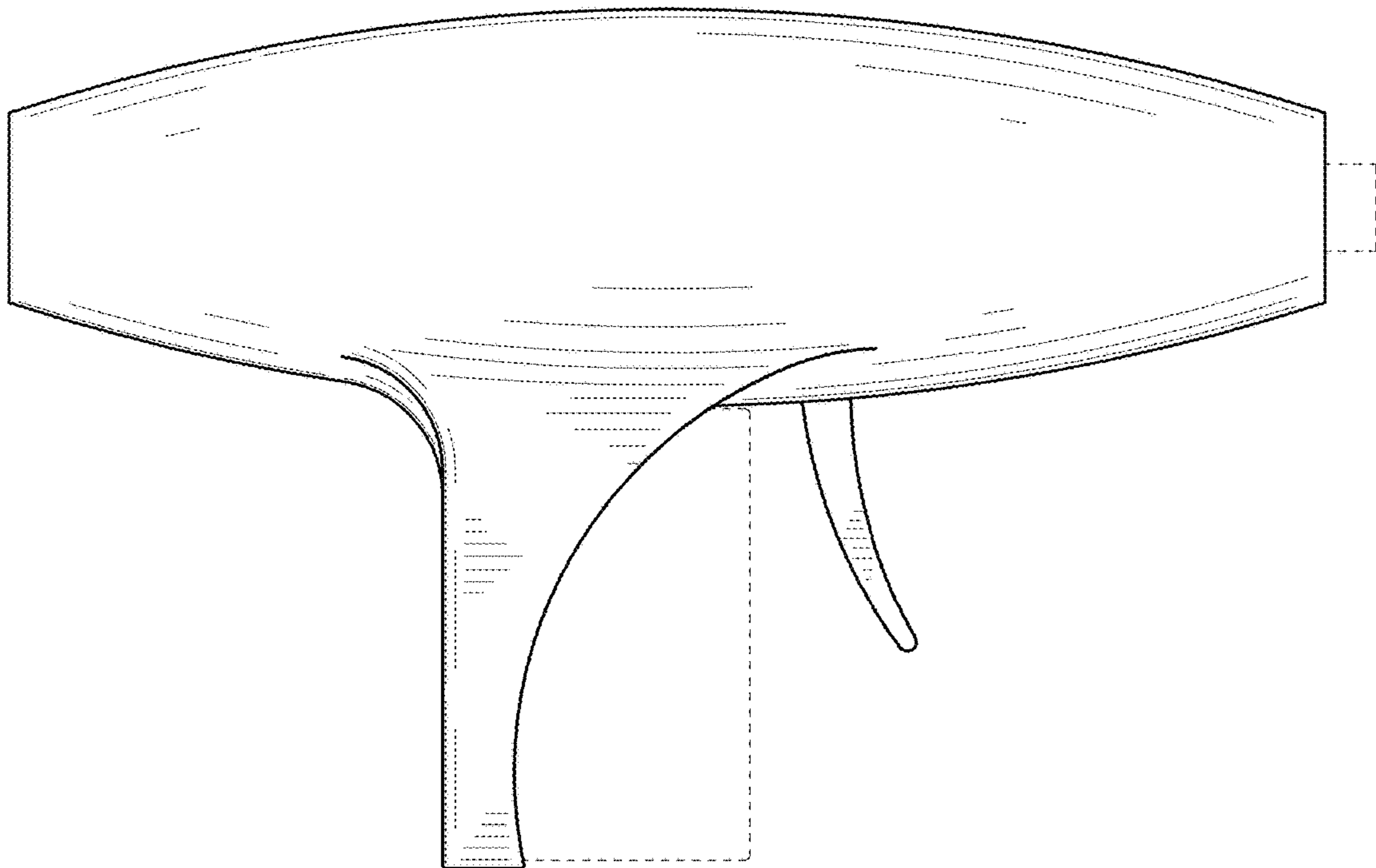


Fig. 2



Fig. 3

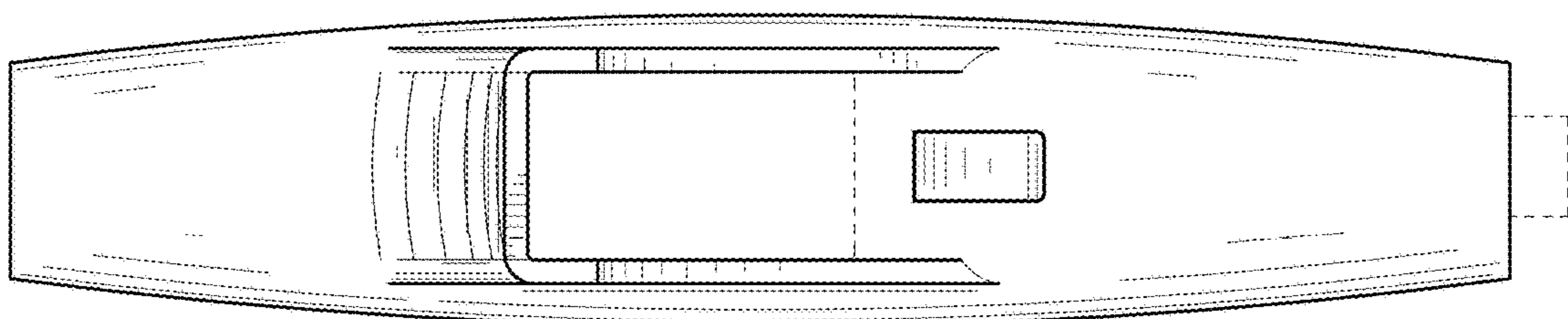


Fig. 4

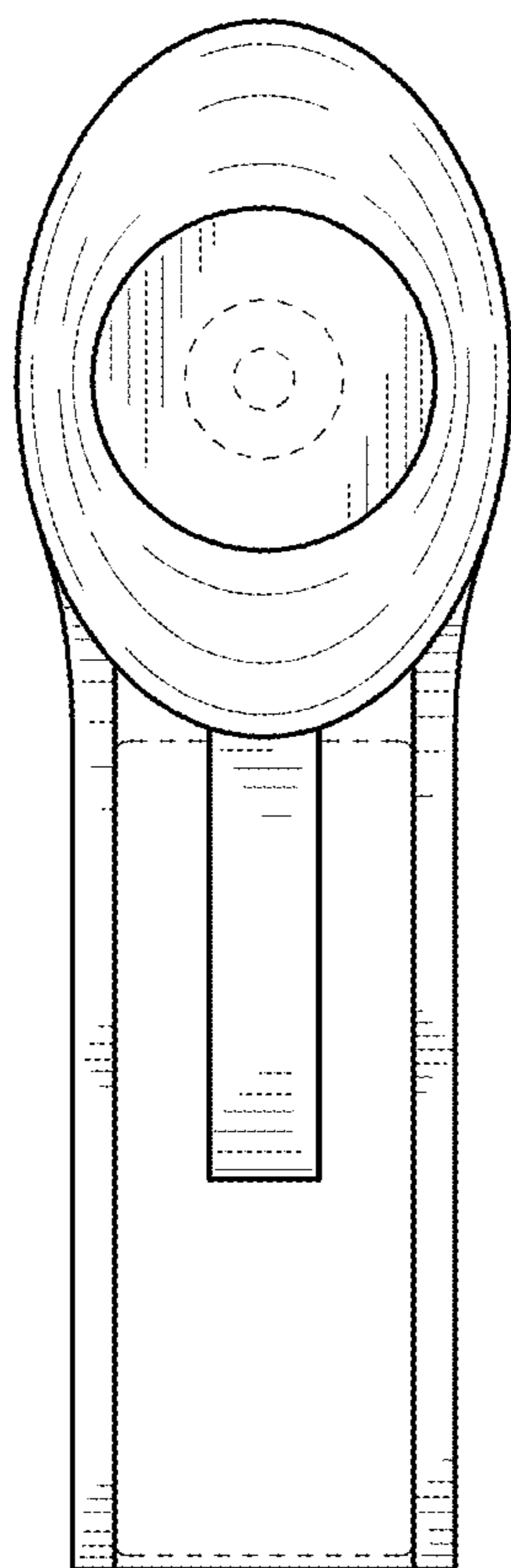


Fig. 5

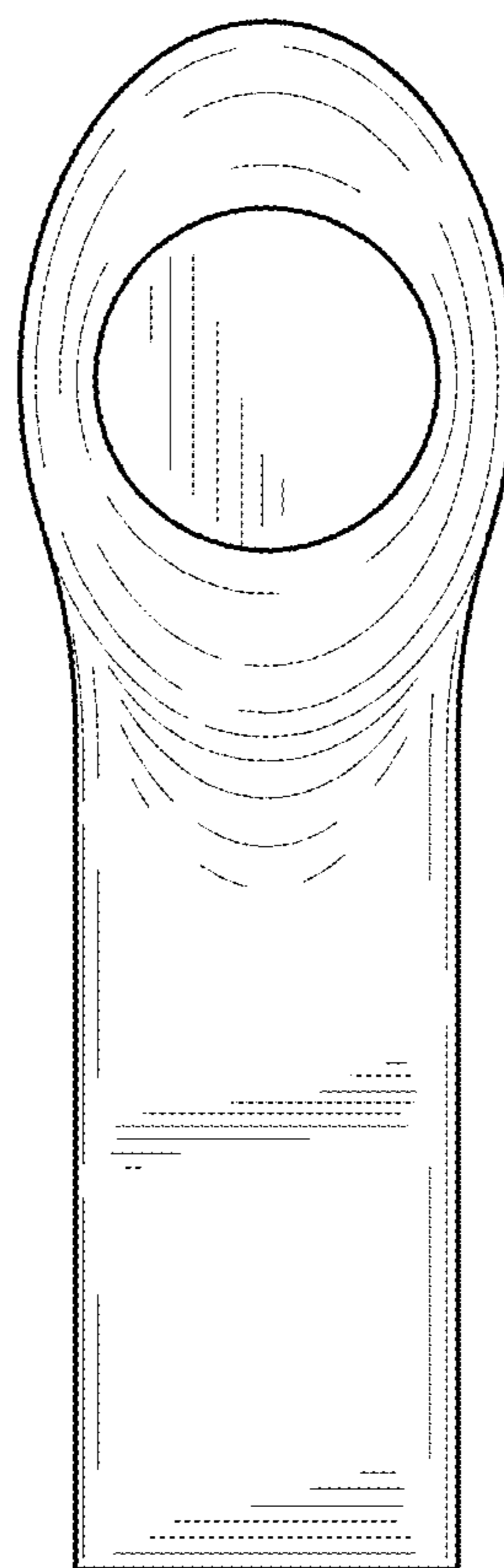


Fig. 6