



US00D809101S

(12) **United States Design Patent**  
**Jordan et al.**

(10) **Patent No.:** **US D809,101 S**

(45) **Date of Patent:** **\*\* Jan. 30, 2018**

(54) **SPRAYER**

(71) Applicant: **The Sherwin-Williams Company,**  
Cleveland, OH (US)

(72) Inventors: **Terry D. Jordan,** Warrensville Heights,  
OH (US); **James J. Johnson,**  
Warrensville Heights, OH (US); **Mary**  
**M. Ilko,** Warrensville Heights, OH (US)

(73) Assignee: **The Sherwin-Williams Company,**  
Cleveland, OH (US)

(\*\*) Term: **15 Years**

(21) Appl. No.: **29/576,425**

(22) Filed: **Sep. 2, 2016**

(51) **LOC (11) Cl.** ..... **23-01**

(52) **U.S. Cl.**  
USPC ..... **D23/226**

(58) **Field of Classification Search**  
USPC ..... D23/213, 223, 226, 225; 239/302, 308,  
239/332, 373, DIG. 14; D9/448, 685;  
222/1, 401

CPC ..... B05B 7/025; B05B 7/1263; B05B 7/2421;  
B05B 7/2408; B05B 1/3436; B05B  
9/0861; B65D 83/20

See application file for complete search history.

(56) **References Cited**

**U.S. PATENT DOCUMENTS**

D115,884 S \* 7/1939 Worthington ..... D23/225  
D159,897 S \* 8/1950 Edelstone et al. .... D21/572

D162,655 S \* 3/1951 Heydt ..... D23/226  
D186,737 S \* 11/1959 Zaplski ..... 222/399  
D283,801 S \* 5/1986 Brown ..... D23/225  
D332,652 S \* 1/1993 Foster ..... D23/226  
D352,546 S \* 11/1994 Silvenis ..... D23/226  
D358,198 S \* 5/1995 Wadsworth ..... D23/213  
D537,145 S \* 2/2007 Huang ..... D23/226  
D683,427 S \* 5/2013 Moore ..... D23/226  
D685,058 S \* 6/2013 Rigolio ..... D23/226  
D700,841 S \* 3/2014 Natersky ..... D9/448

\* cited by examiner

*Primary Examiner* — Robin V Webster

(74) *Attorney, Agent, or Firm* — Black, McCuskey,  
Souers & Arbaugh; Daniel A. Sherwin

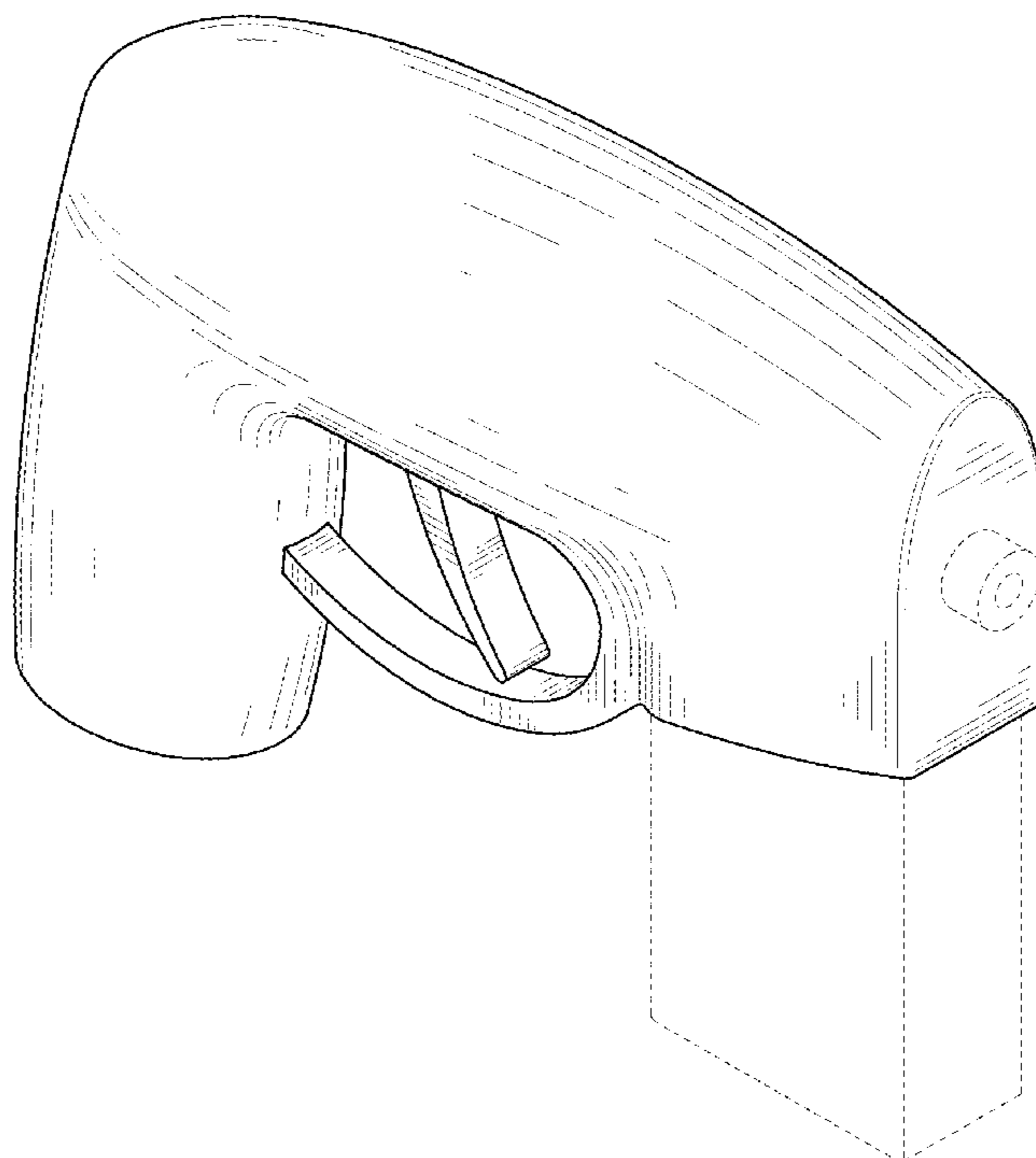
(57) **CLAIM**

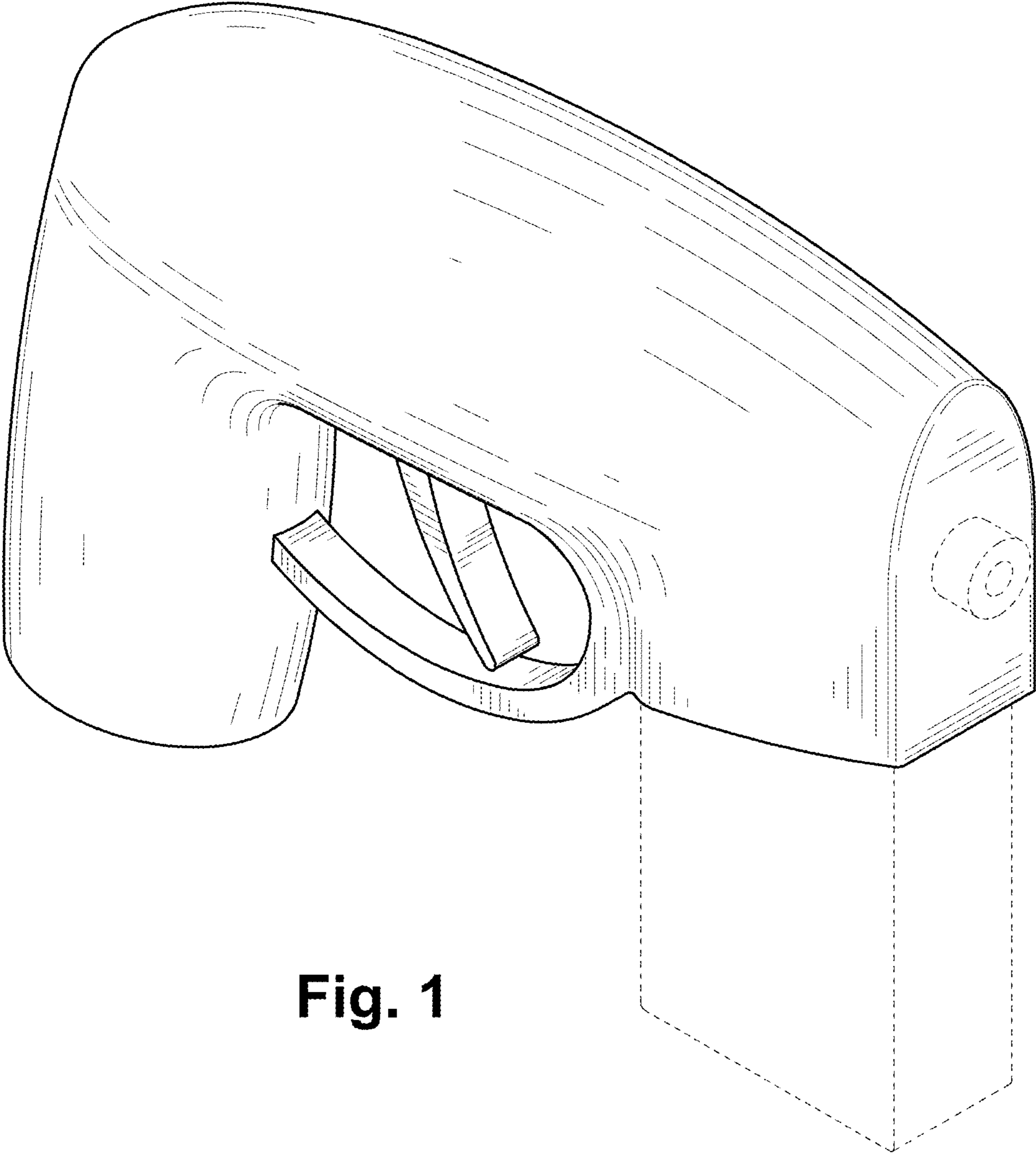
The ornamental design for a sprayer, as shown and described.

**DESCRIPTION**

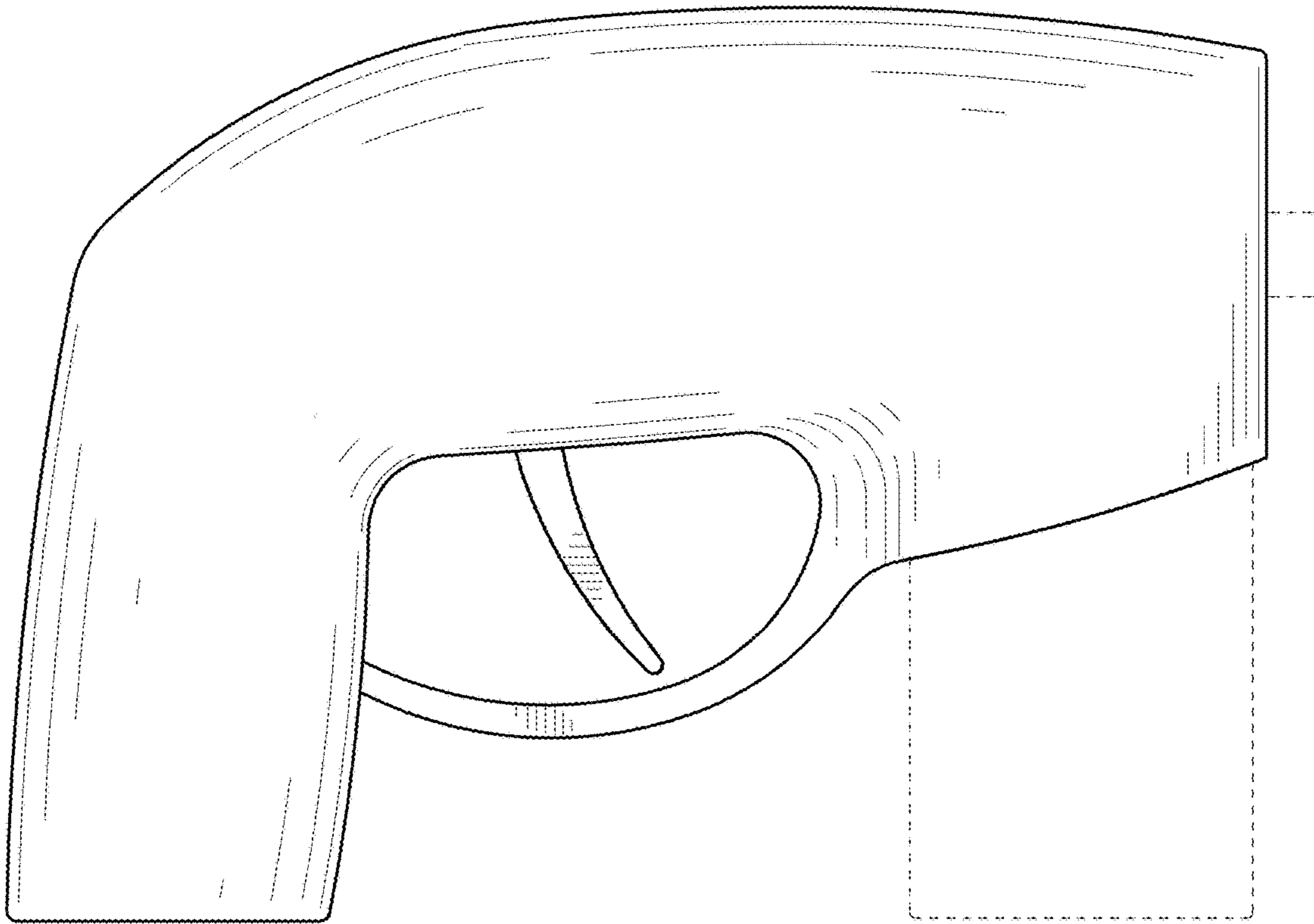
FIG. 1 is a perspective view of a sprayer;  
FIG. 2 is a side view of the sprayer of FIG. 1, the opposite side view being identical;  
FIG. 3 is a top view of the sprayer of FIG. 1;  
FIG. 4 is a bottom view of the sprayer of FIG. 1;  
FIG. 5 is a front view of the sprayer of FIG. 1; and,  
FIG. 6 is a rear view of the sprayer of FIG. 1.  
The broken line showing of environment is included for the purpose of illustrating and forms no part of the claimed design.

**1 Claim, 3 Drawing Sheets**

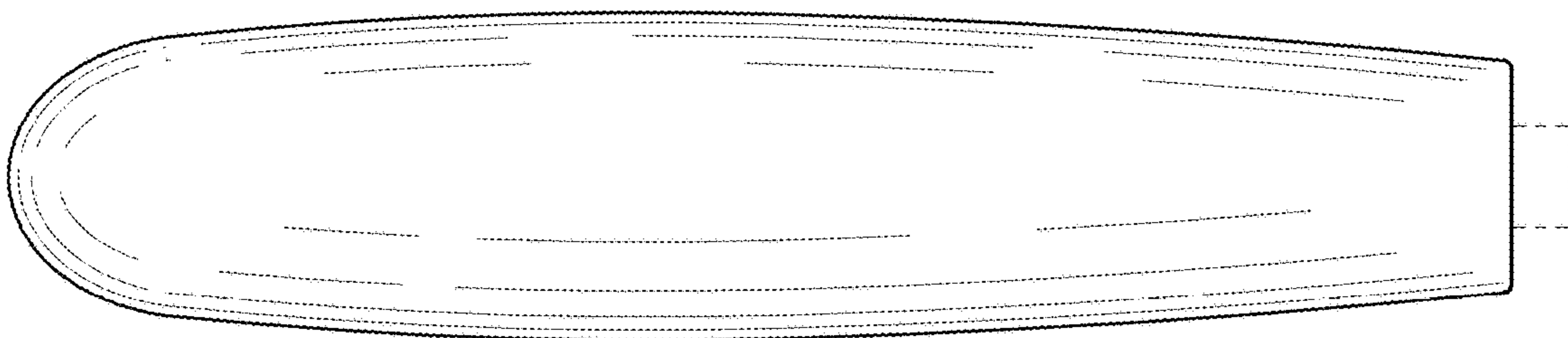




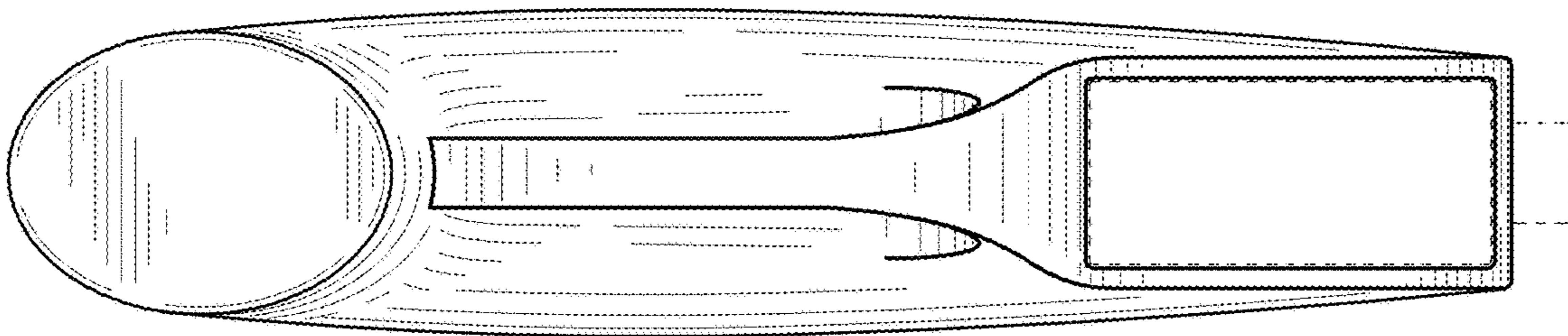
**Fig. 1**



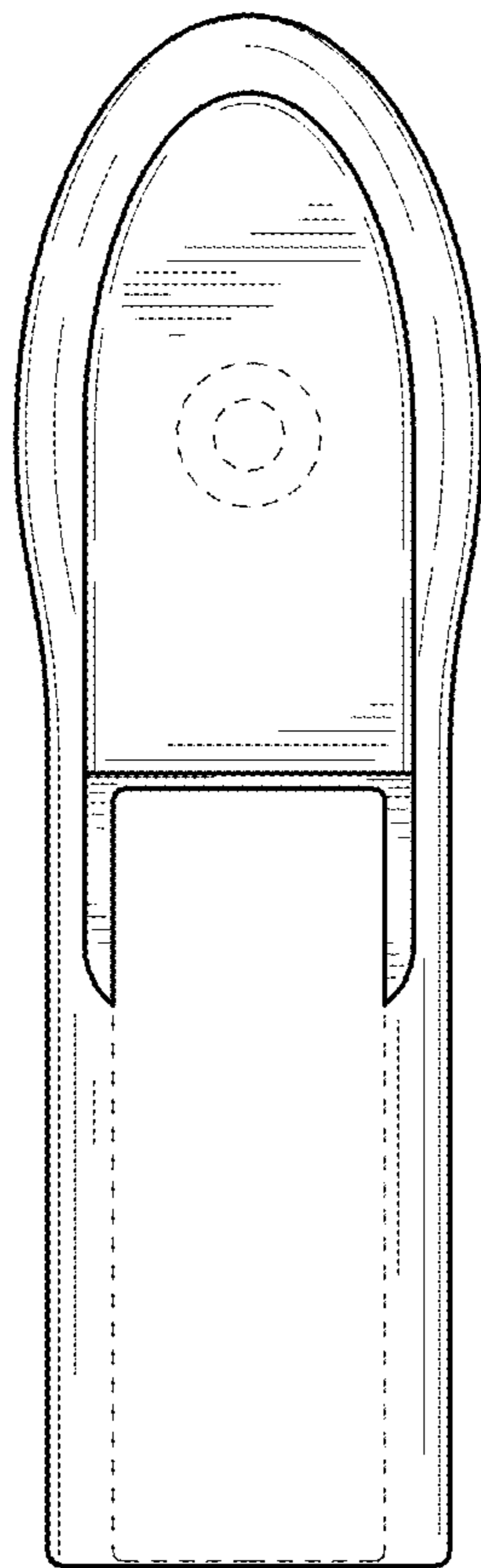
**Fig. 2**



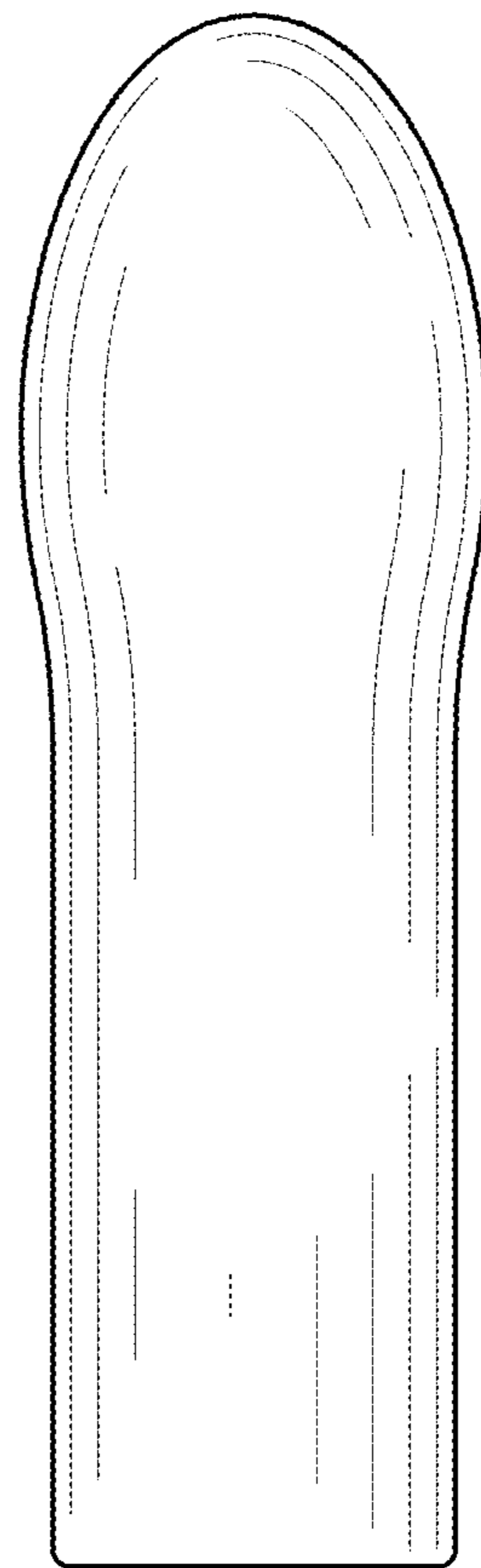
**Fig. 3**



**Fig. 4**



**Fig. 5**



**Fig. 6**