



US00D809100S

(12) **United States Design Patent**
Hong

(10) **Patent No.:** **US D809,100 S**
(45) **Date of Patent:** **** Jan. 30, 2018**

- (54) **PORTABLE SPRAYER**
- (71) Applicant: **SMBURE CO., LTD.**, Gwangju (KR)
- (72) Inventor: **Gi Sool Hong**, Gwangju (KR)
- (73) Assignee: **SMBURE CO., LTD.**, Gwangju (KR)
- (**) Term: **15 Years**
- (21) Appl. No.: **29/585,483**
- (22) Filed: **Nov. 23, 2016**
- (30) **Foreign Application Priority Data**

Sep. 19, 2016 (KR) 30-2016-0045120

- (51) **LOC (11) Cl.** **23-01**
- (52) **U.S. Cl.**
USPC **D23/225; D8/2**
- (58) **Field of Classification Search**
USPC D23/213, 223, 225; 239/310, 337, 340,
239/345, 361, DIG. 14; 222/333, 465.1,
222/383.1; D8/1-3
CPC B05B 7/2464; B05B 11/06; B05B 9/08;
B05B 7/2408; B65D 83/20
See application file for complete search history.

(56) **References Cited**
U.S. PATENT DOCUMENTS

- D271,613 S * 11/1983 Watkins D23/225
- D334,972 S * 4/1993 Berfield D23/225

- 5,964,409 A * 10/1999 Alexander F16L 11/085
138/125
- D542,373 S * 5/2007 Cooper D23/225
- D550,327 S * 9/2007 Bruno D23/225
- D563,503 S * 3/2008 Monk D23/225
- 7,434,749 B2 * 10/2008 Wu A01G 25/145
137/596.17
- D698,416 S * 1/2014 Spiegel D23/225
- D744,303 S * 12/2015 Marconi D15/13

* cited by examiner

Primary Examiner — Robin V Webster

(57) **CLAIM**

The ornamental design for a portable sprayer, as shown and described.

DESCRIPTION

FIG. 1 is a perspective view of a portable sprayer showing my new design;
 FIG. 2 is a front elevational view of the claimed design;
 FIG. 3 is a rear elevational view of the claimed design;
 FIG. 4 is a left side elevational view of the claimed design;
 FIG. 5 is a right side elevational view of the claimed design;
 FIG. 6 is a top plan view of the claimed design; and,
 FIG. 7 is a bottom plan view of the claimed design.

The portable sprayer is made of metal and synthetic resins. The portable sprayer is for spraying medicine liquid for military service, sterilization, insecticide in the state of particulate.

The portable sprayer can be used with one hand or with a suspender attached to the shoulder by the user.

1 Claim, 5 Drawing Sheets

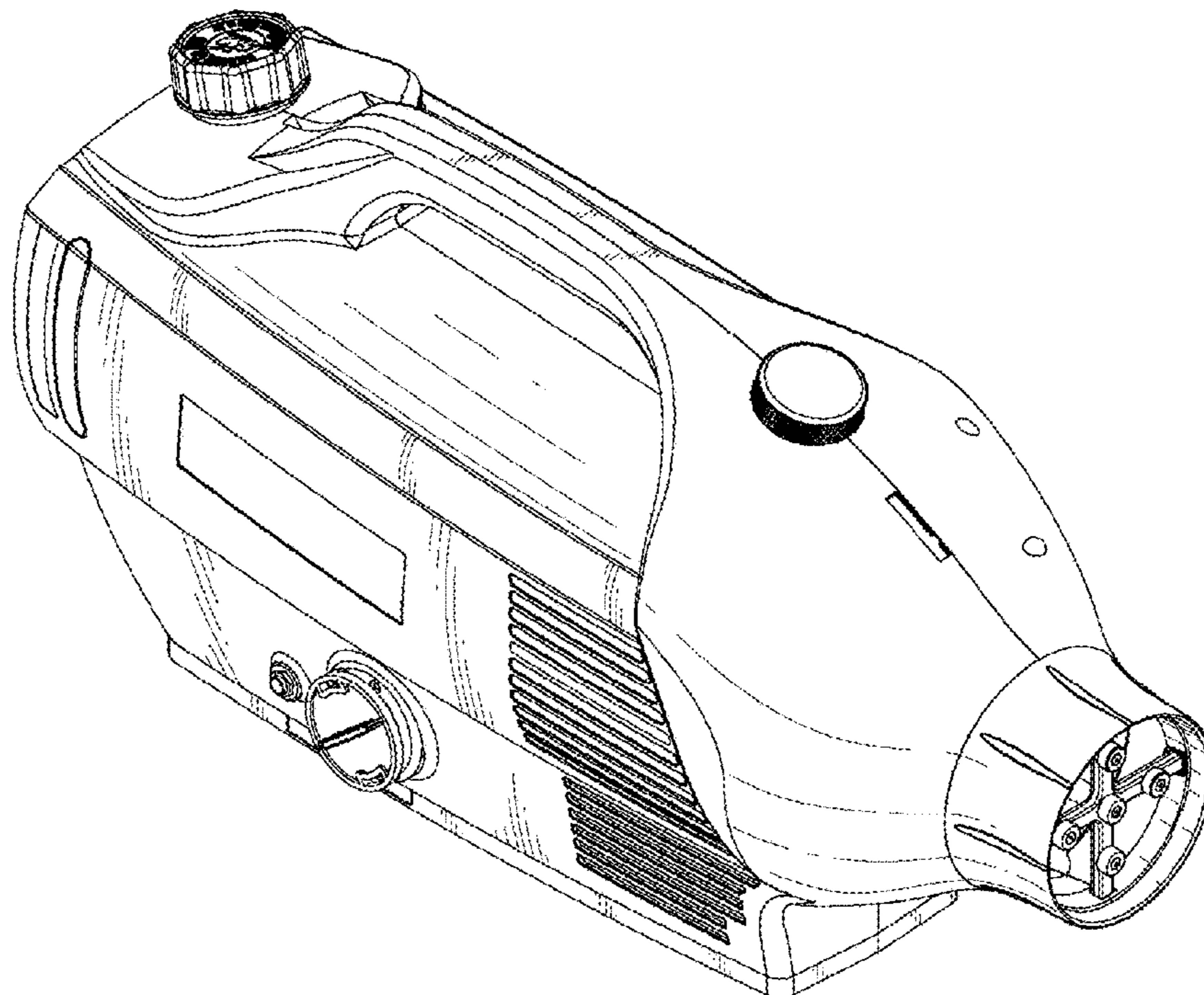


FIG. 1

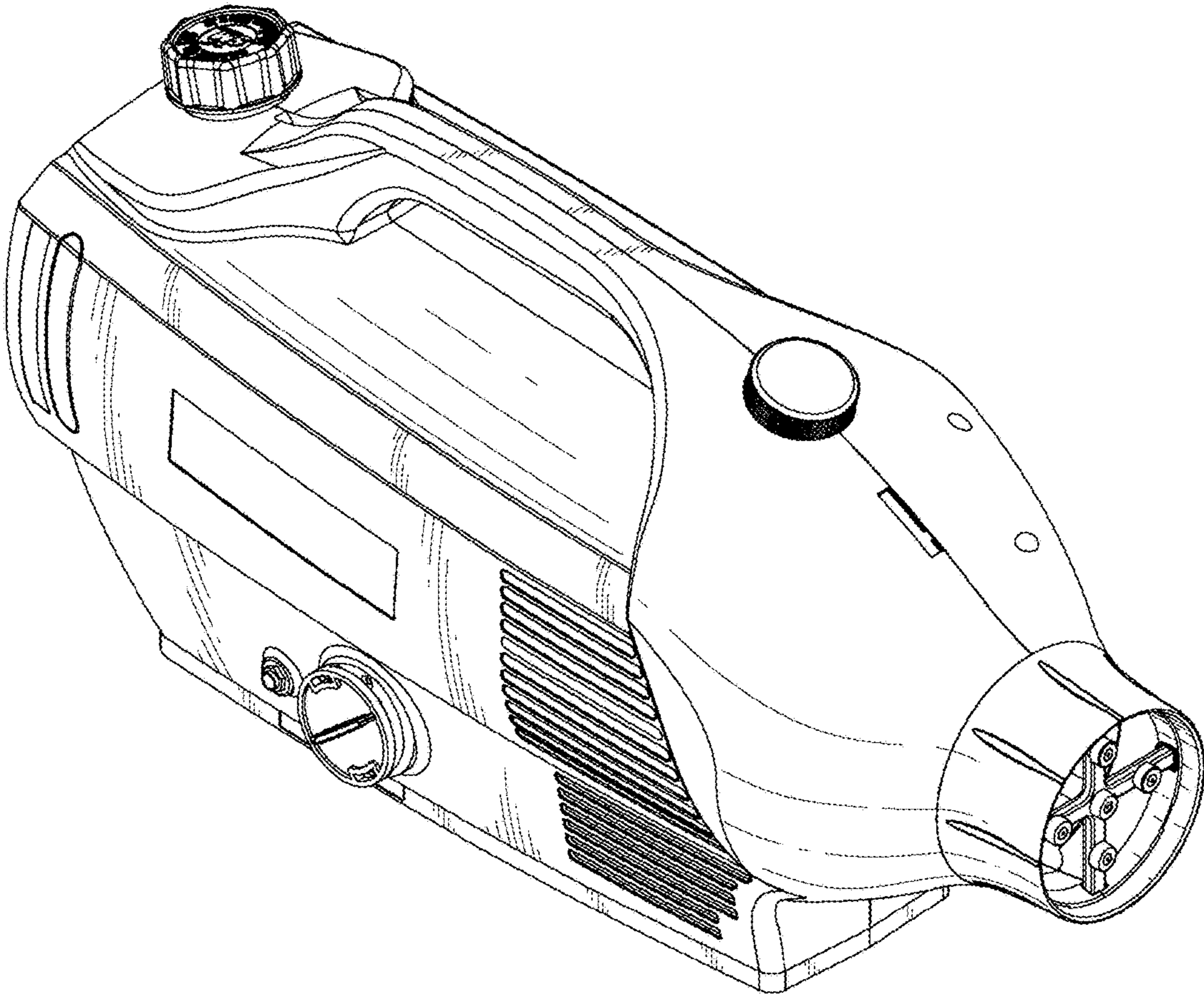


FIG. 2

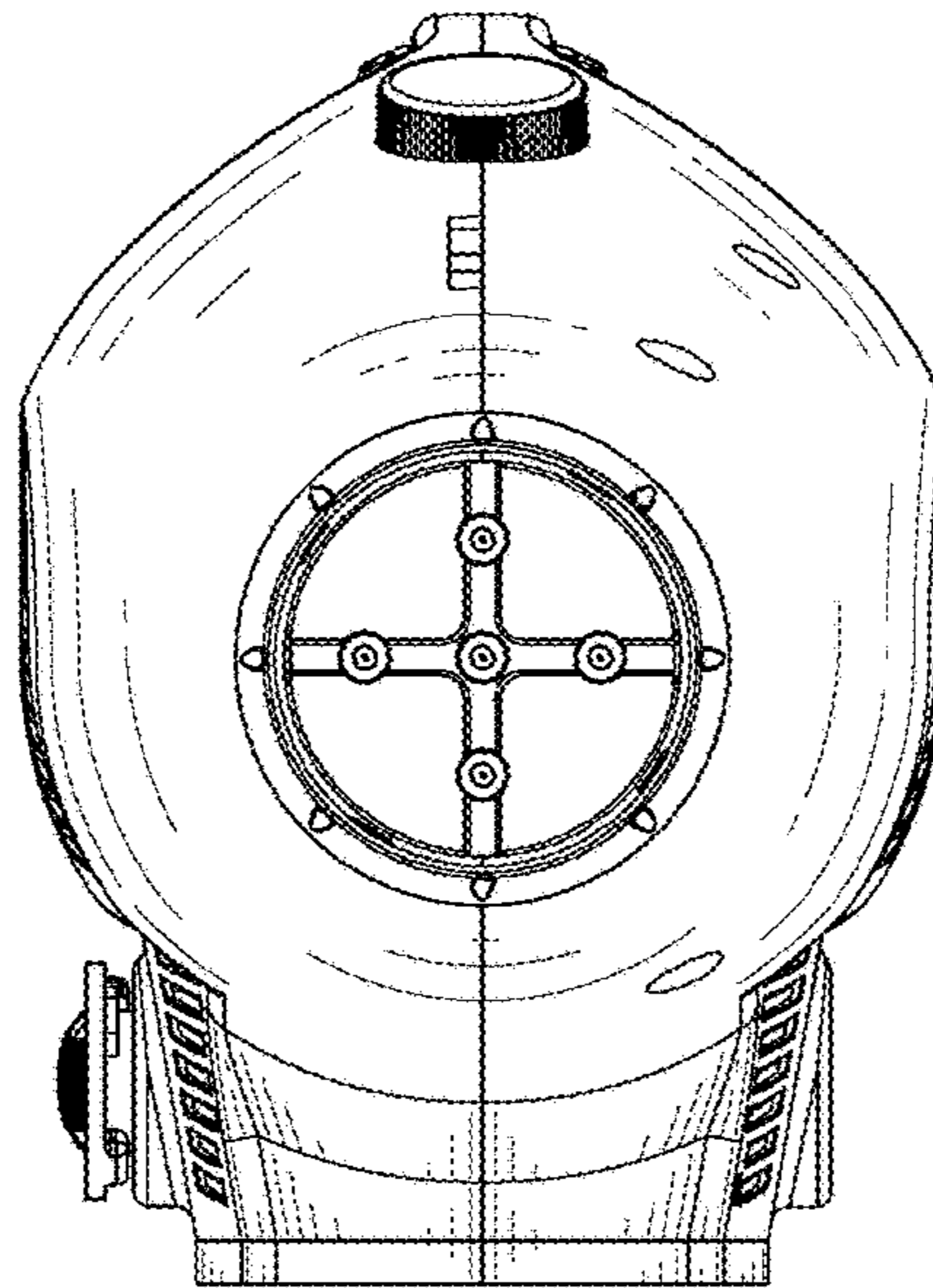


FIG. 3

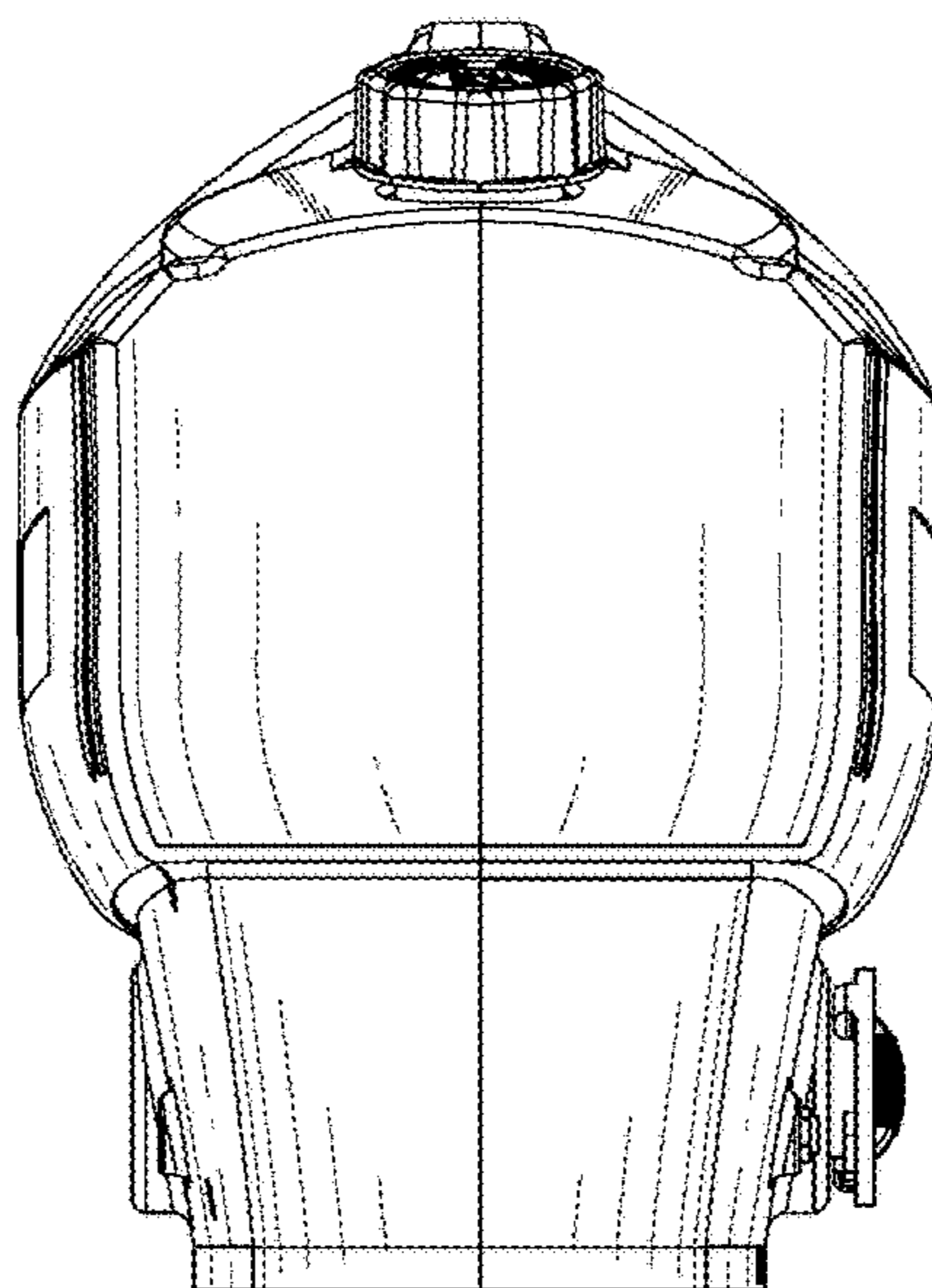


FIG. 4

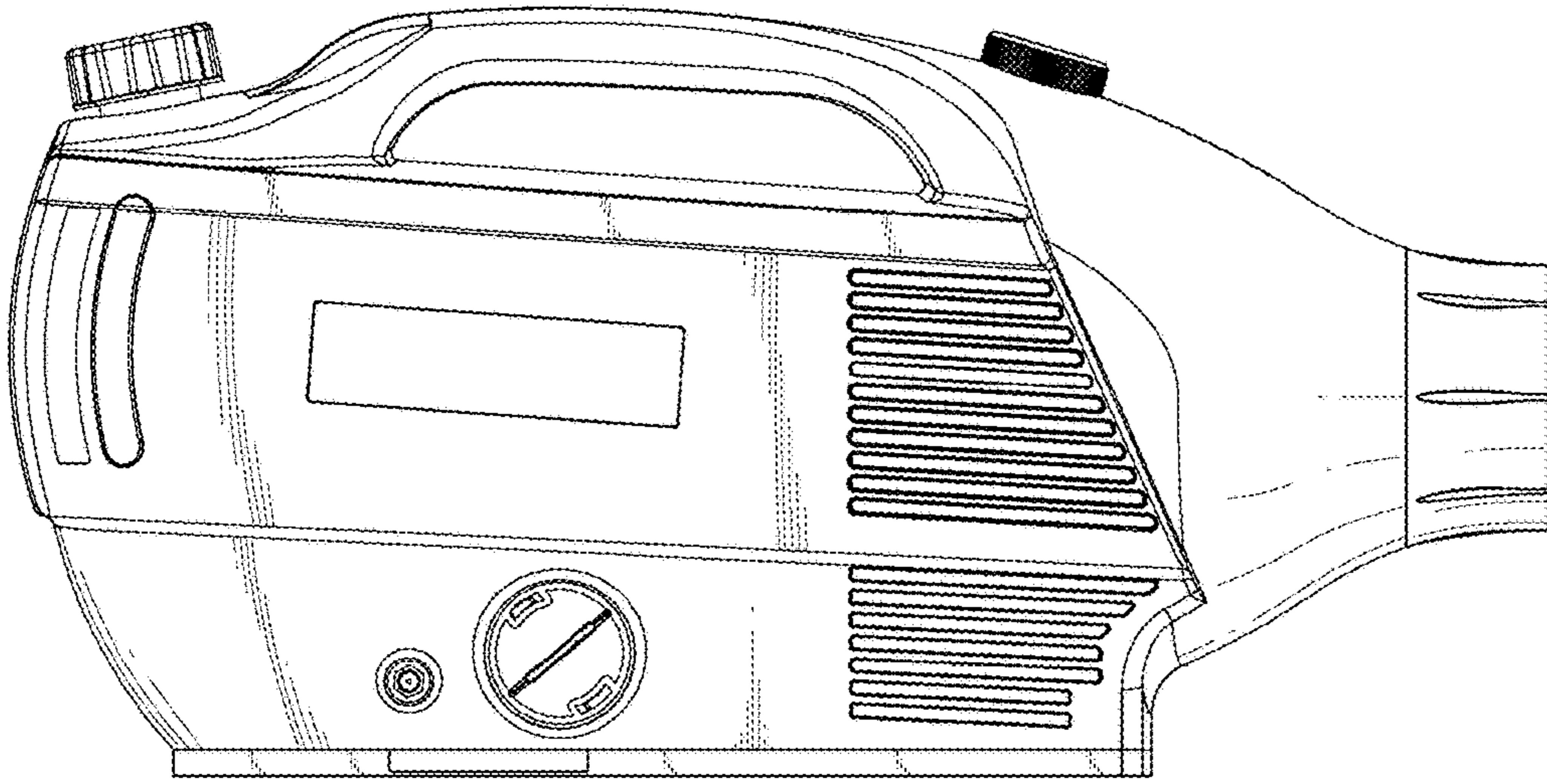


FIG. 5

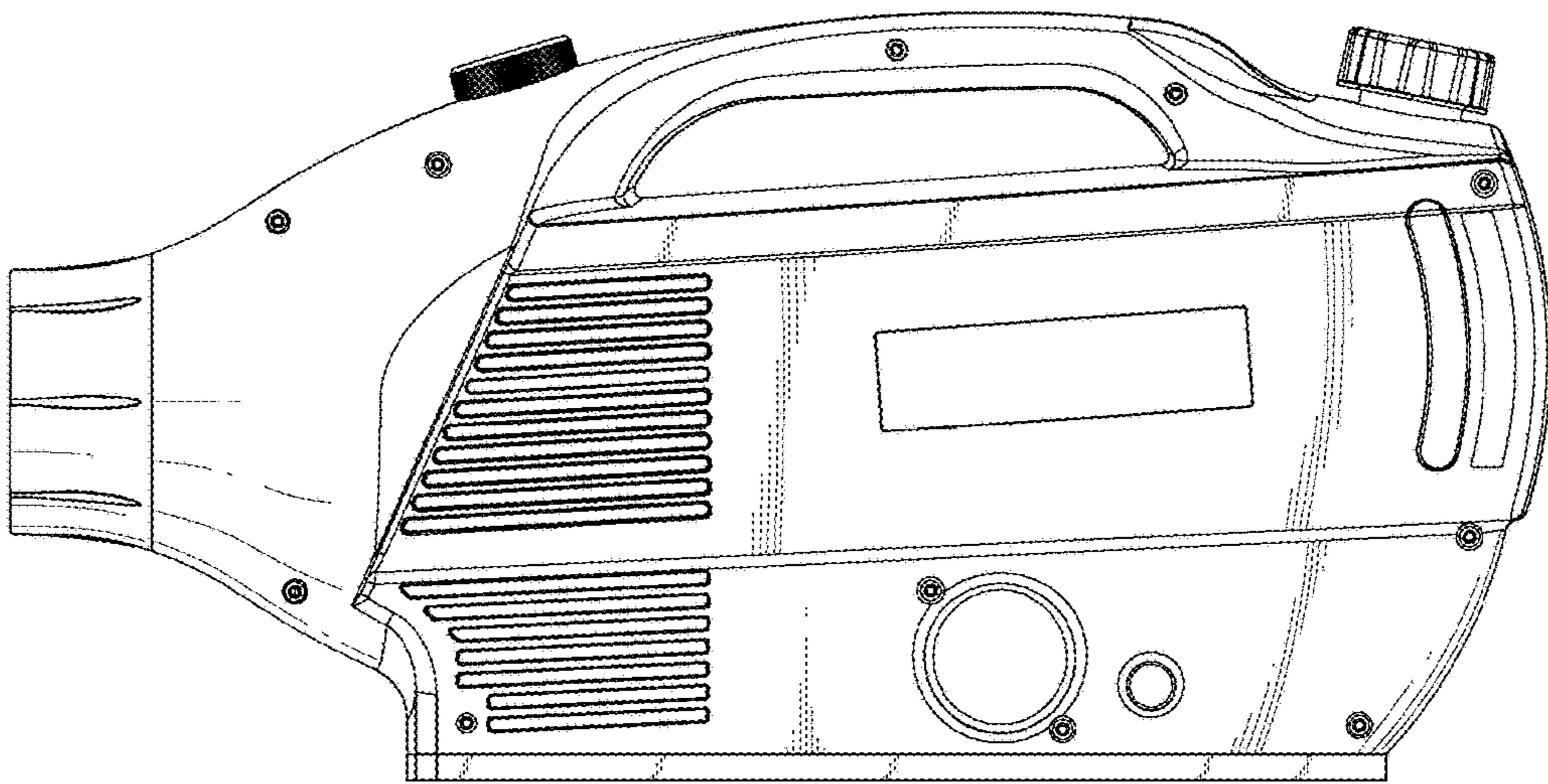


FIG. 6

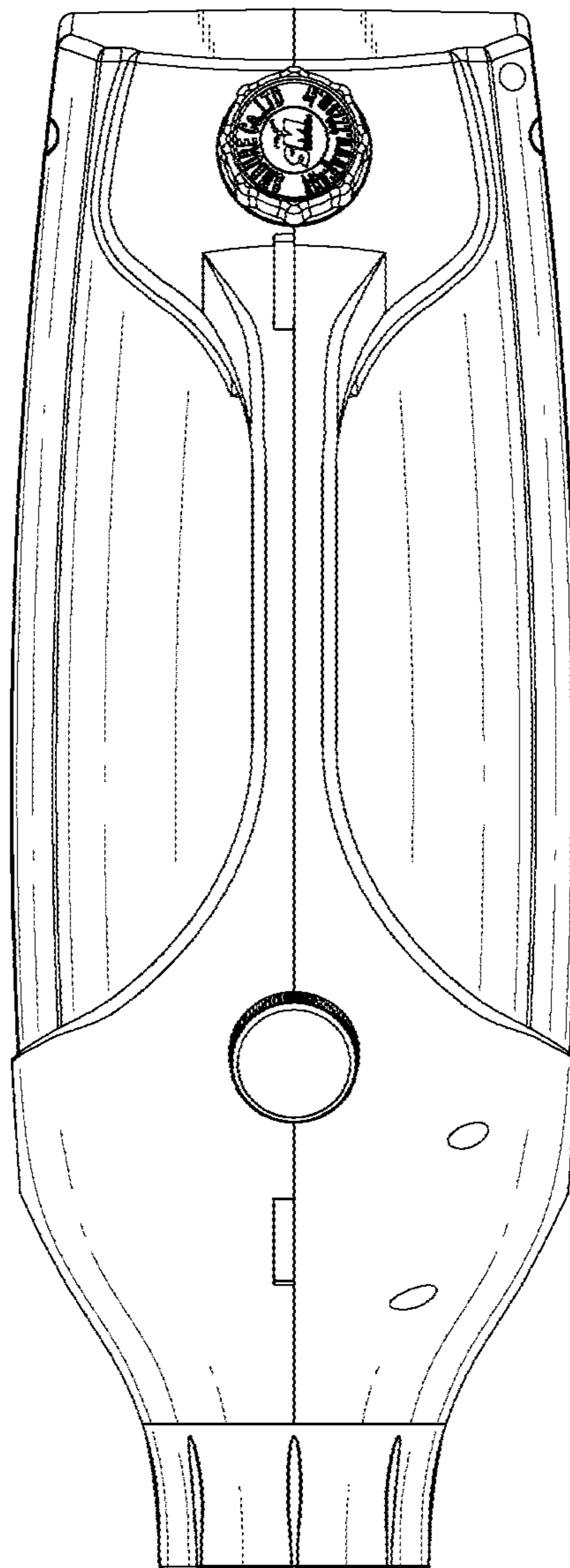


FIG. 7

