



US00D809099S

(12) **United States Design Patent**
Tullney et al.

(10) **Patent No.:** **US D809,099 S**
(45) **Date of Patent:** **** Jan. 30, 2018**

(54) **SPRAY GUN FOR PAINT**

(71) Applicant: **J. WAGNER GMBH**, Markdorf (DE)

(72) Inventors: **Heiko Tullney**, Hamburg (DE);
Matthias Mazur, Hamburg (DE);
Elmar Kraye, Langenargen (DE)

(73) Assignee: **J. Wagner GmbH**, Markdorf (DE)

(**) Term: **15 Years**

(21) Appl. No.: **29/581,746**

(22) Filed: **Oct. 21, 2016**

(30) **Foreign Application Priority Data**

Apr. 22, 2016 (EM) 003080811-0002
Apr. 22, 2016 (EM) 003080811-0003

(51) **LOC (11) Cl.** **23-01**

(52) **U.S. Cl.**
USPC **D23/225**

(58) **Field of Classification Search**
USPC D23/213, 223, 226, 225; 239/302, 308,
239/332, 333, 373, DIG. 14; D9/448,
D9/685; 222/1, 401
CPC B05B 7/025; B05B 7/1263; B05B 7/2421;
B05B 7/2408; B05B 1/3436; B05B
9/0861; B65D 83/20
See application file for complete search history.

(56) **References Cited**

U.S. PATENT DOCUMENTS

D519,603 S * 4/2006 Schumann D23/225
D589,116 S * 3/2009 Bruggeman D23/225

D609,778 S * 2/2010 Woodgate D23/225
D664,628 S * 7/2012 Zhou D23/225
D693,428 S * 11/2013 Tullney D23/225
D713,500 S * 9/2014 Muhl D23/225
D723,659 S * 3/2015 Tullney D23/225

* cited by examiner

Primary Examiner — Robin V Webster

(74) *Attorney, Agent, or Firm* — Burr & Brown, PLLC

(57) **CLAIM**

The ornamental design for a spray gun for paint, as shown and described.

DESCRIPTION

FIG. 1 is a right side view of a spray gun for paint illustrating our new design;
FIG. 2 is a rear view thereof;
FIG. 3 is a left side view thereof;
FIG. 4 is a front view thereof;
FIG. 5 is a top view thereof;
FIG. 6 is a bottom view thereof;
FIG. 7 is a front perspective view thereof; and,
FIG. 8 is a front perspective view of a spray gun for paint, which shows the fold-out handle extension in the extended position.

The broken lines in the drawings depict unclaimed subject matter only and form no part of the claimed design.

1 Claim, 8 Drawing Sheets

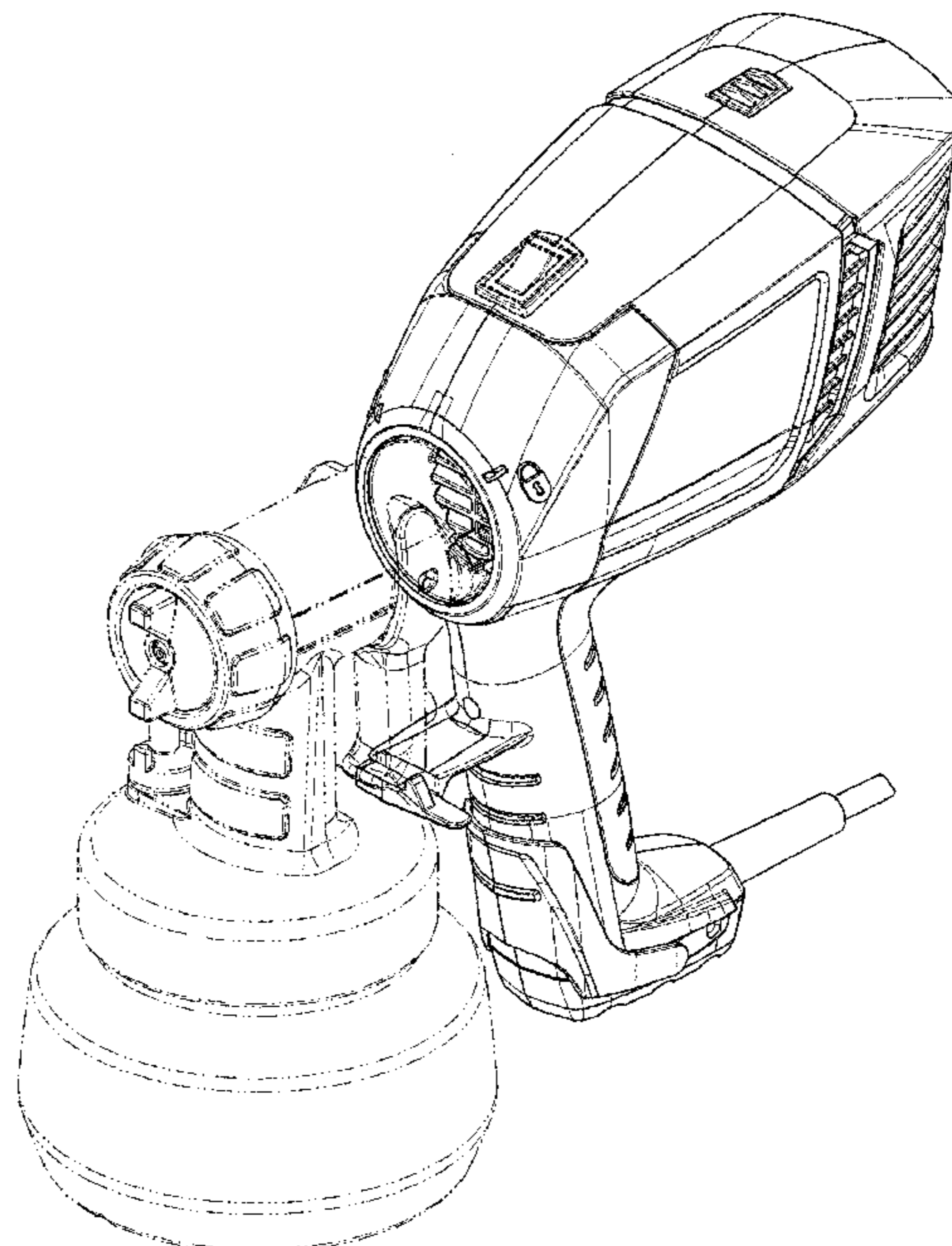


FIG. 1

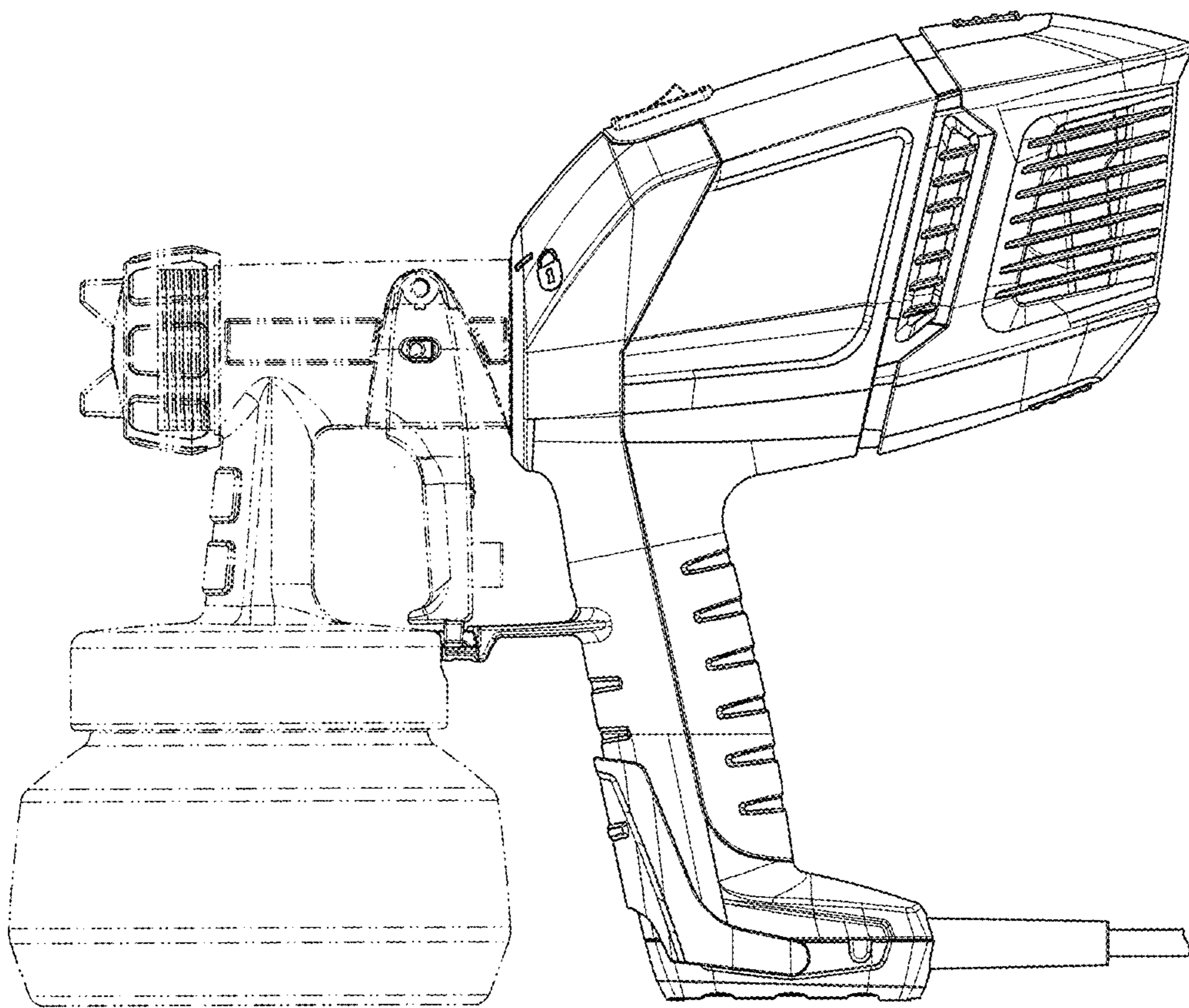


FIG. 2

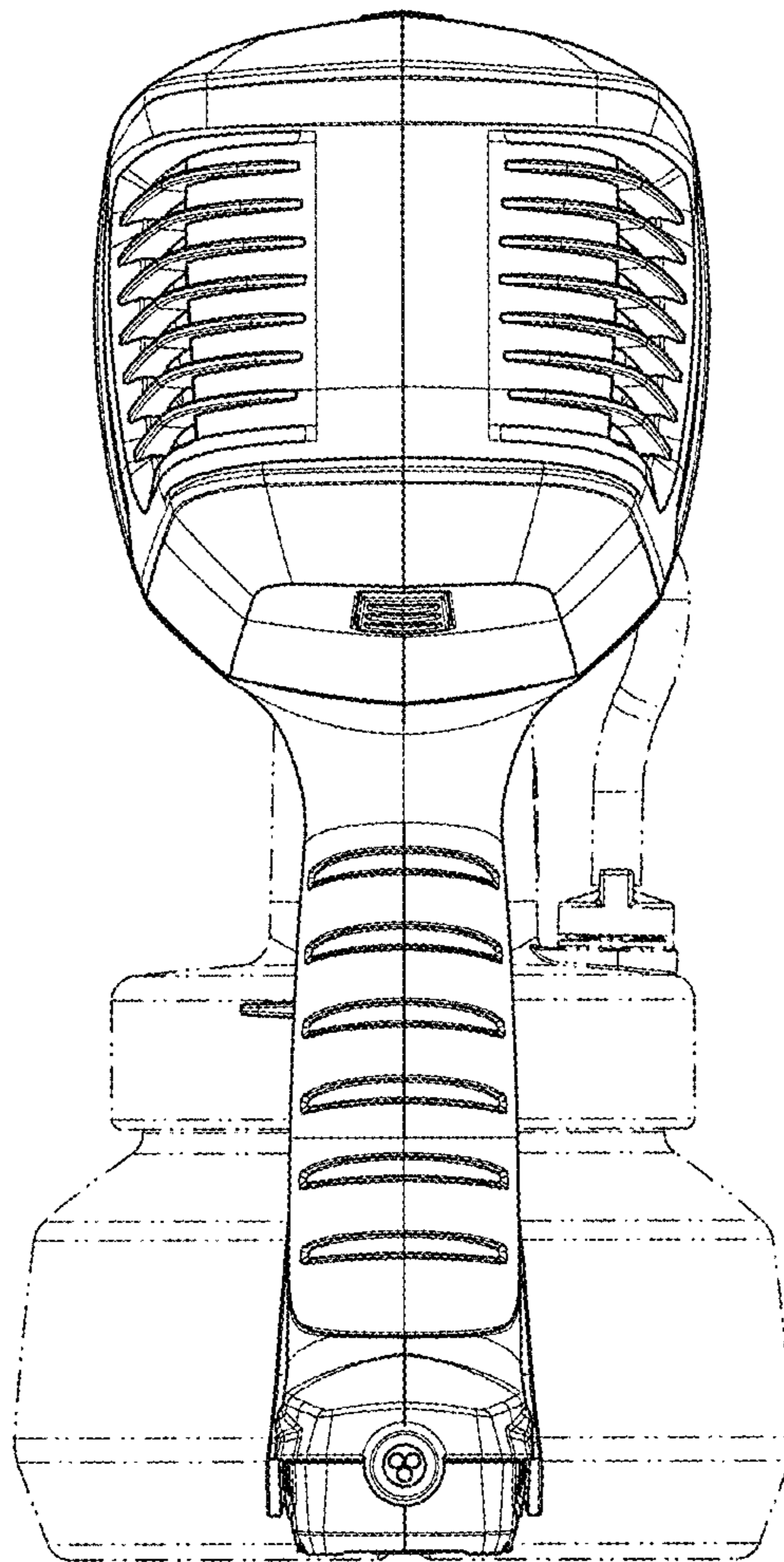


FIG. 3

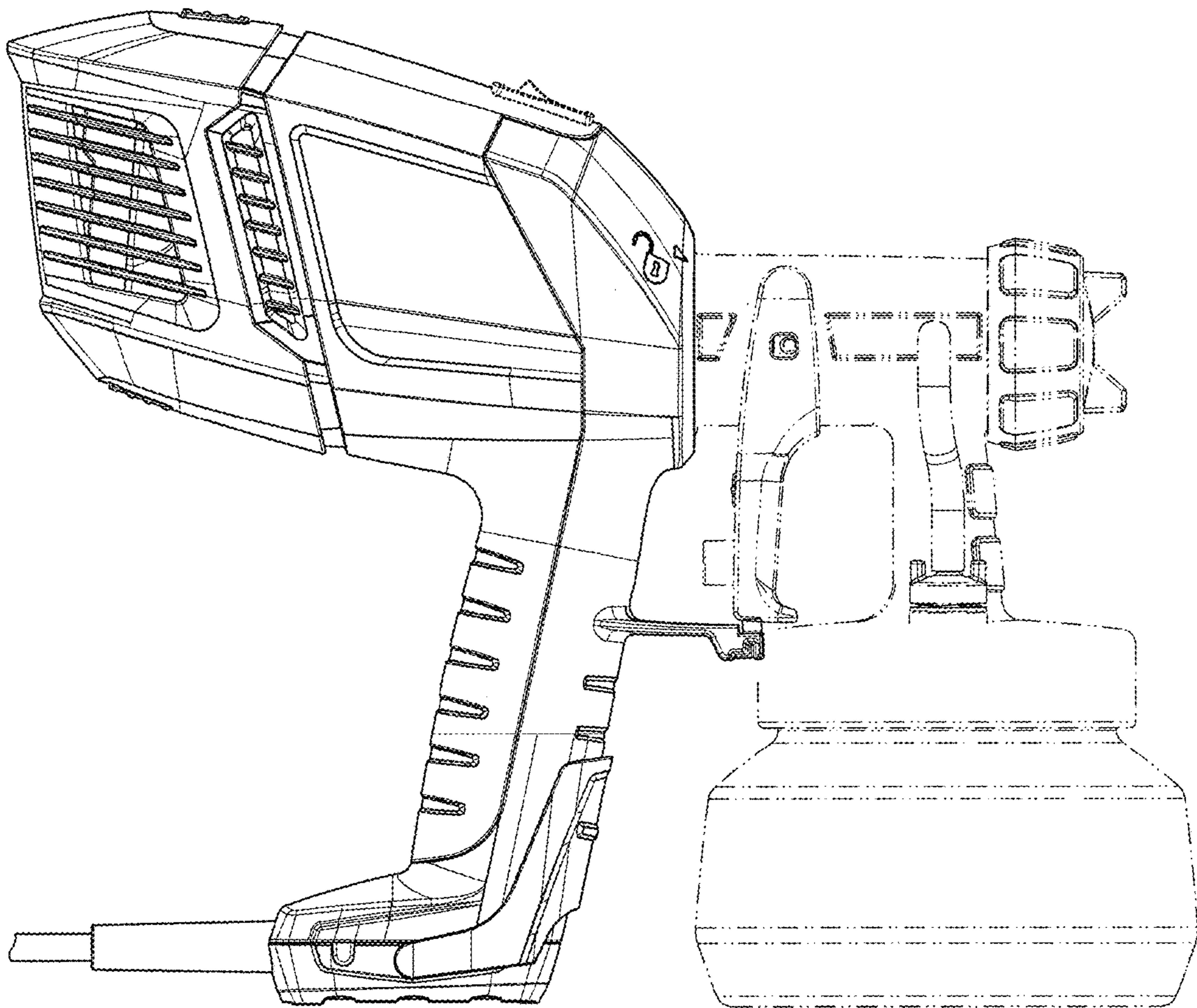


FIG. 4

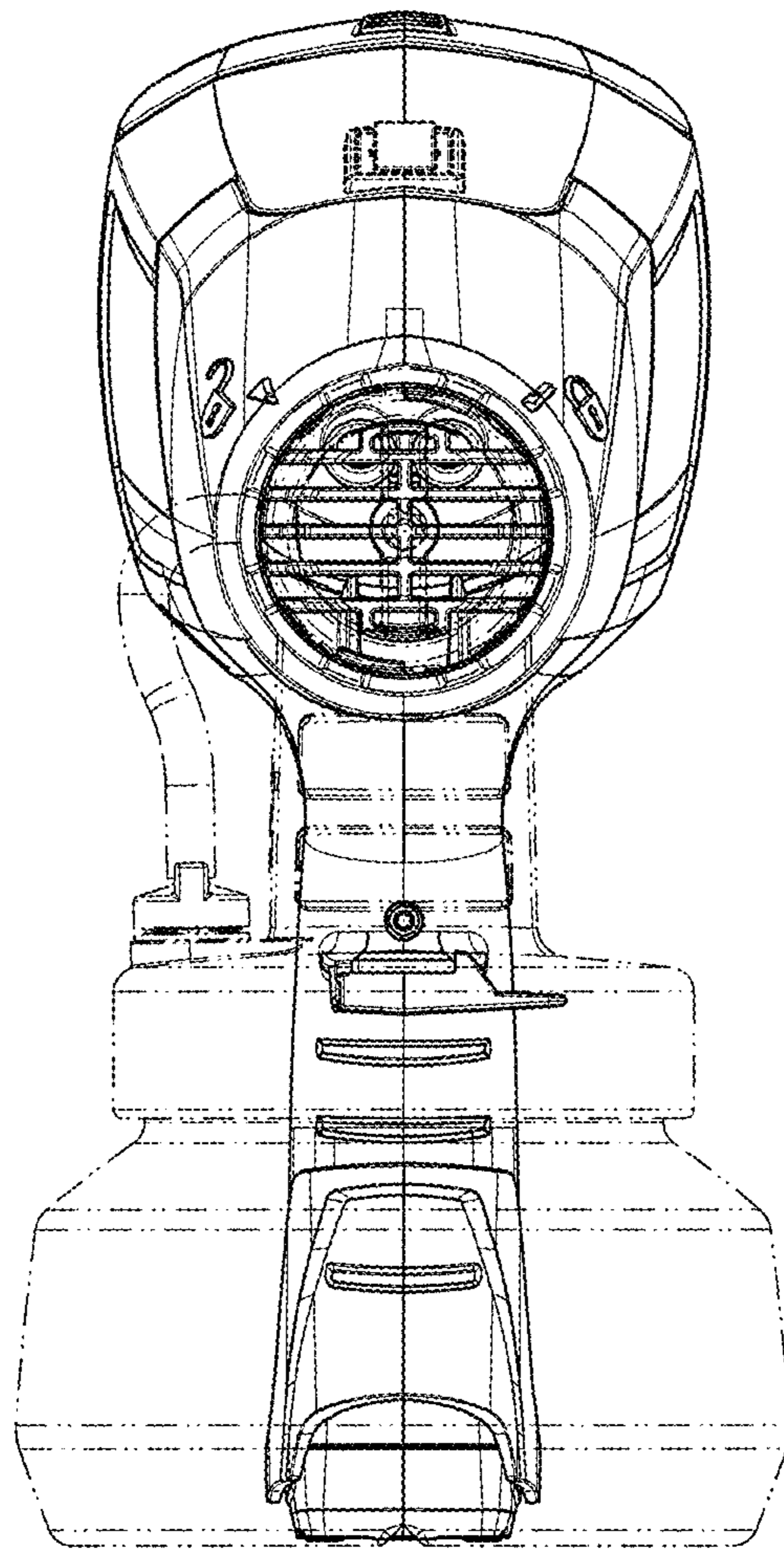


FIG. 5

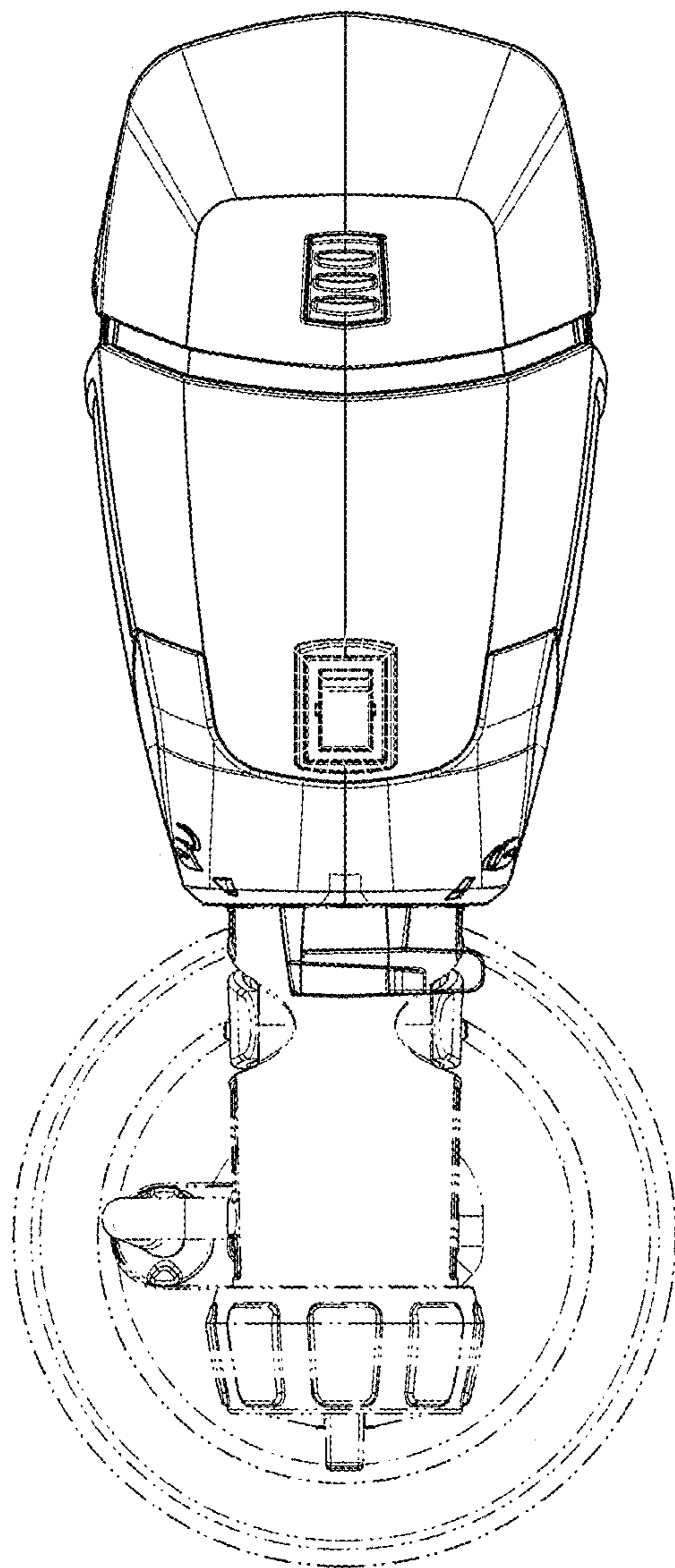


FIG. 6

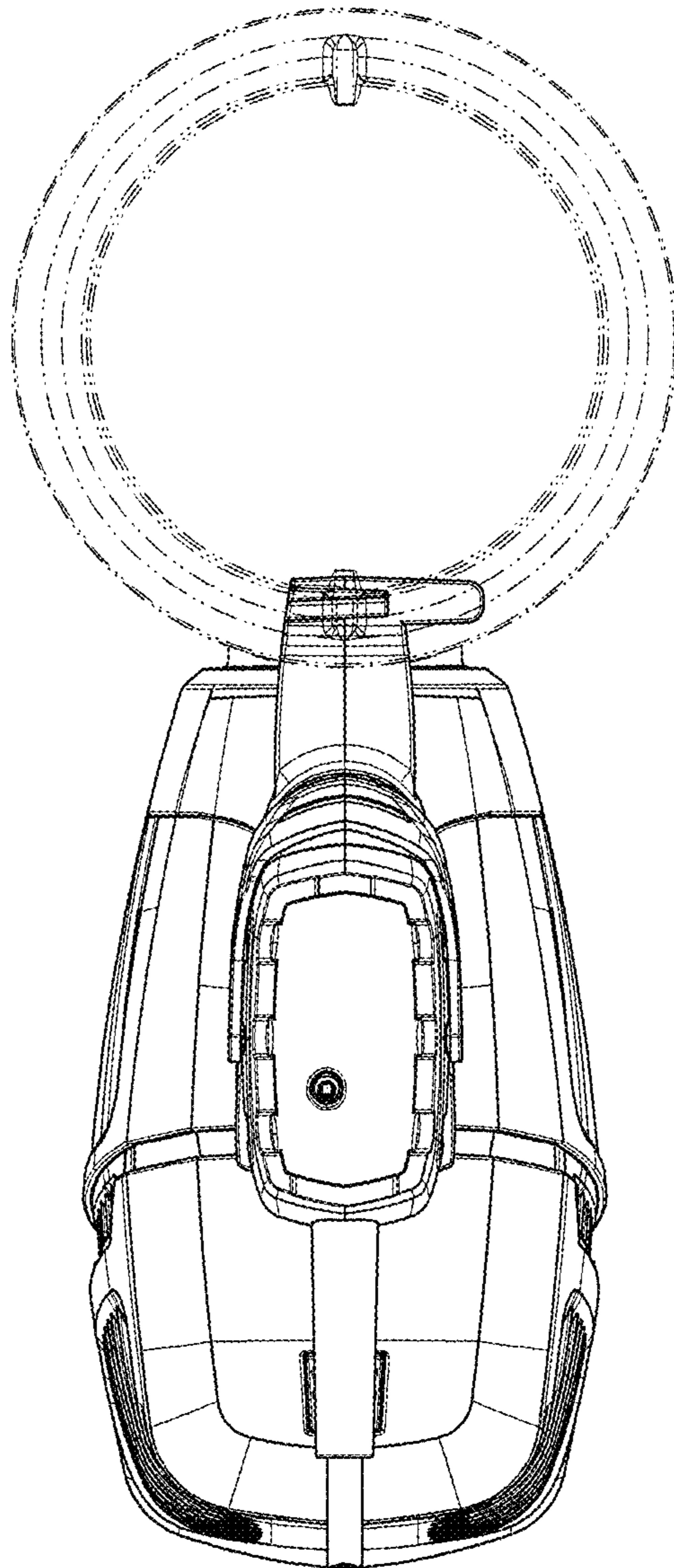


FIG. 7

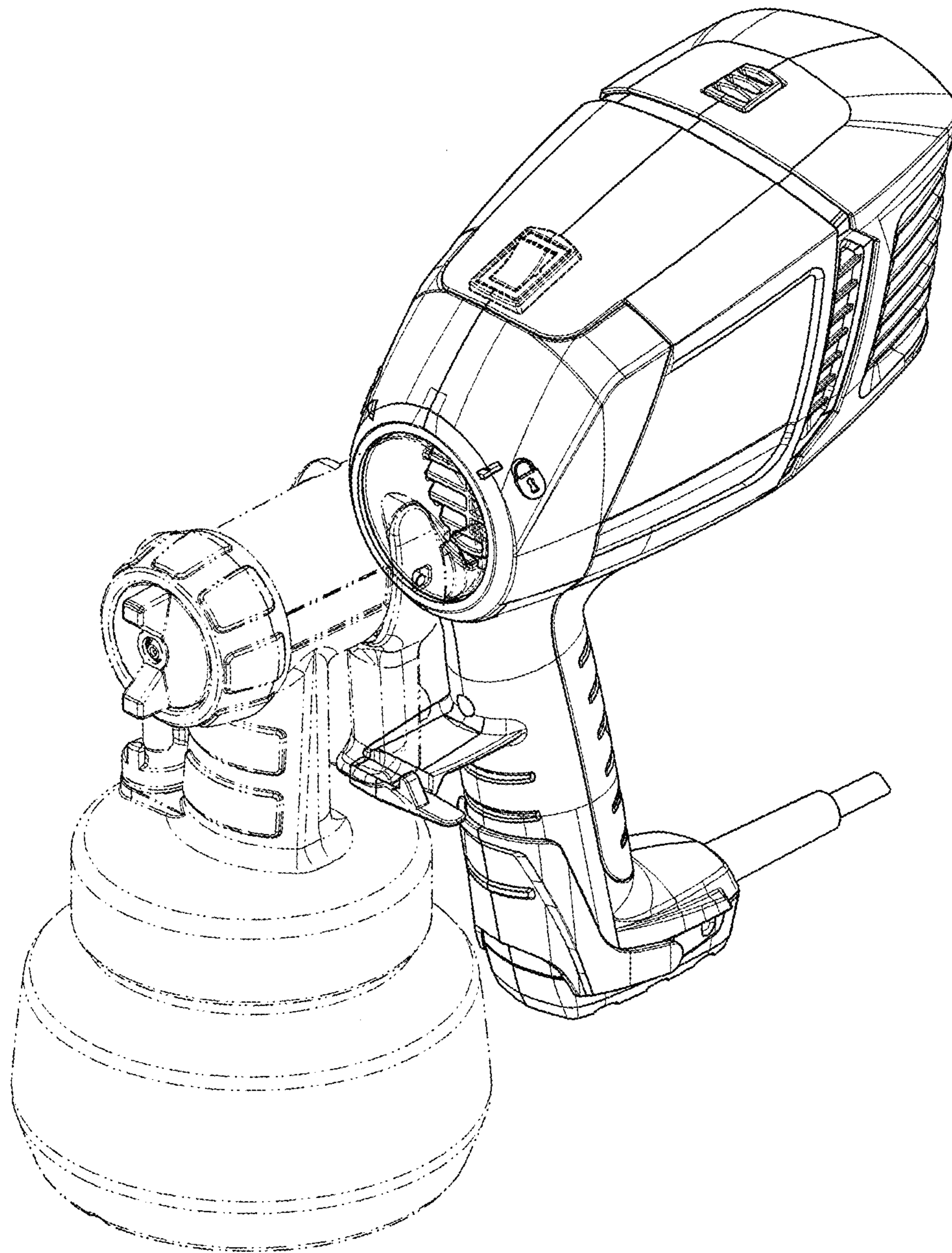


FIG. 8

