



US00D809097S

(12) **United States Design Patent**
Bates et al.

(10) **Patent No.:** **US D809,097 S**
(45) **Date of Patent:** **** Jan. 30, 2018**

- (54) **DISPENSER WITH CONTAINER**
- (71) Applicant: **S. C. Johnson & Son, Inc.**, Racine, WI (US)
- (72) Inventors: **Julie L. Bates**, Franklin, WI (US);
James R. Crapser, Racine, WI (US);
Thomas A. Helf, New Berlin, WI (US);
Richard A. Batton, Racine, WI (US);
Joel Kramka, Madison, WI (US);
Casey Frett, Madison, WI (US);
Katlyn Garcia, McFarland, WI (US);
Evan A. Sparks, Madison, WI (US)

- 4,693,423 A * 9/1987 Roe B05B 9/0861
239/332
- D307,463 S * 4/1990 Fushiya D23/225
- D355,852 S 2/1995 Wicki
- D419,871 S 2/2000 Hall
- D466,584 S 12/2002 Hubmann et al.
- D468,801 S 1/2003 Hubmann et al.
- D474,256 S 5/2003 Hubmann et al.
- D480,124 S 9/2003 Hubmann et al.
- 6,631,855 B2 * 10/2003 Huang B05B 9/0861
239/302
- D482,793 S 11/2003 Oyama et al.
- D483,270 S 12/2003 Bertucci et al.
- D484,946 S 1/2004 Hubmann et al.
- D496,278 S 9/2004 Bertucci et al.

(Continued)

- (73) Assignee: **S. C. Johnson & Son, Inc.**, Racine, WI (US)

Primary Examiner — Robin V Webster

(**) Term: **15 Years**

(57) **CLAIM**

The ornamental design for a dispenser with container, as shown and described.

(21) Appl. No.: **29/578,444**

DESCRIPTION

(22) Filed: **Sep. 21, 2016**

(51) **LOC (11) Cl.** **23-01**

(52) **U.S. Cl.**
USPC **D23/225**

(58) **Field of Classification Search**
USPC D23/213, 223, 226, 225; 239/302, 308,
239/332, 333, 373, DIG. 14; D9/448,
D9/685; 222/1, 401
CPC B05B 7/025; B05B 7/1263; B05B 7/2421;
B05B 7/2408; B05B 1/3436; B05B
9/0861; B65D 83/20
See application file for complete search history.

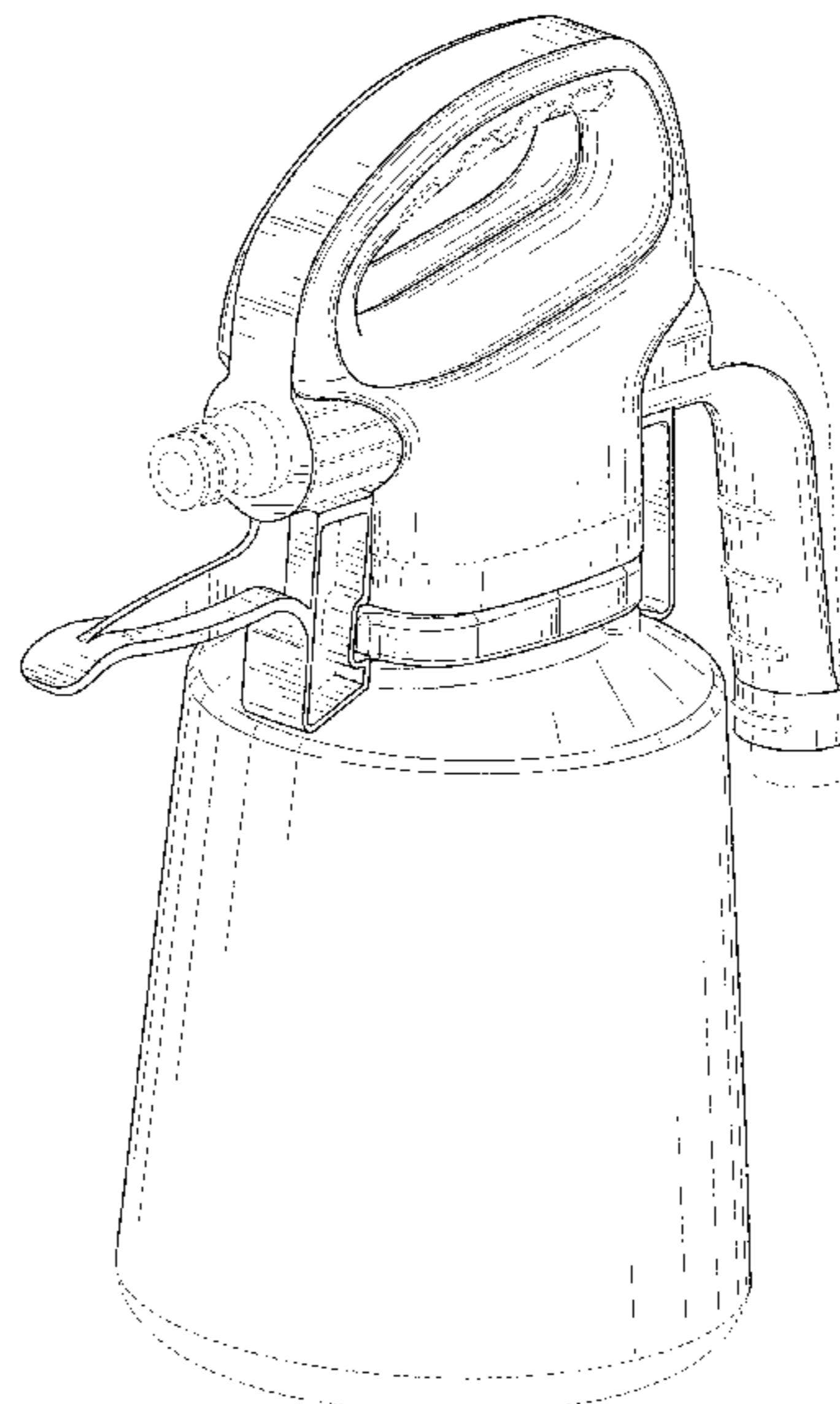
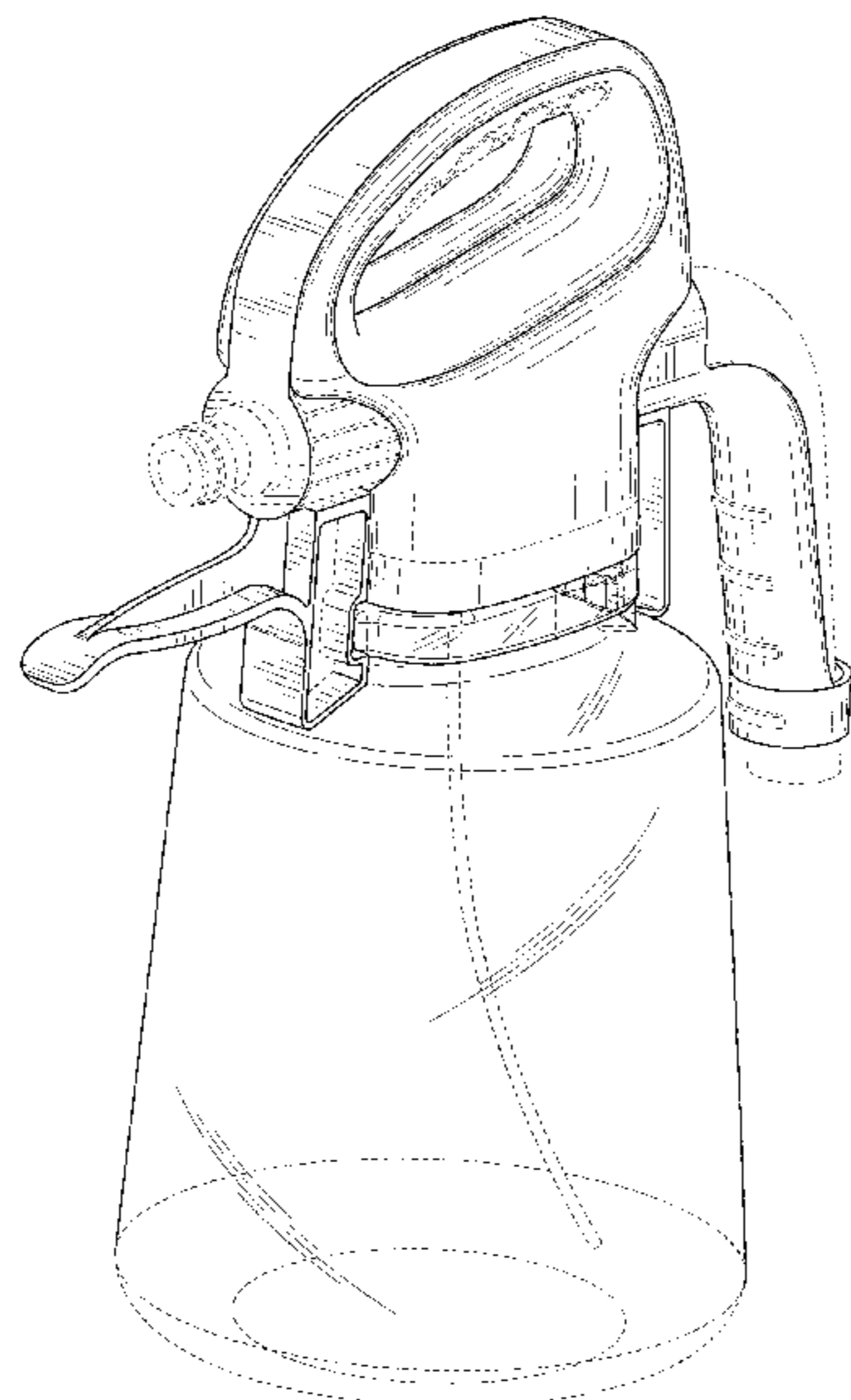
FIG. 1 is an isometric view of a top, front, and right side of an ornamental design for a dispenser with container;
FIG. 2 is a front elevational view of the dispenser with container of FIG. 1;
FIG. 3 is a rear elevational view of the dispenser with container of FIG. 1;
FIG. 4 is a right side elevational view of the dispenser with container of FIG. 1;
FIG. 5 is a left side elevational view of the dispenser with container of FIG. 1;
FIG. 6 is a top plan view of the dispenser with container of FIG. 1; and,
FIG. 7 is an isometric view of a top, front, and right side of another ornamental design for a dispenser with container. The dash-dash-dash broken lines are included for the purpose of illustrating portions of the dispenser with container that form no part of the claimed design.

(56) **References Cited**

U.S. PATENT DOCUMENTS

- D143,289 S 12/1945 Elsas
- D202,986 S 11/1965 Halaby
- D237,796 S * 11/1975 Wagner D23/225
- D251,793 S * 5/1979 DeGelder D23/225

1 Claim, 7 Drawing Sheets



(56)

References Cited

U.S. PATENT DOCUMENTS

D509,560 S	9/2005	Hubmann et al.	
D514,447 S	2/2006	Bertucci et al.	
D528,917 S	9/2006	Bertucci et al.	
D537,915 S	3/2007	Hubmann et al.	
D555,227 S	11/2007	Hubmann et al.	
D567,084 S	4/2008	Batton et al.	
D569,254 S	5/2008	Moretti	
D569,727 S	5/2008	Moretti	
D571,216 S	6/2008	Christian et al.	
D593,863 S	6/2009	Fahy et al.	
D602,117 S	10/2009	Fontaine	
D602,120 S	10/2009	Reimann et al.	
D604,385 S	11/2009	Fontaine	
D633,175 S	2/2011	Swain et al.	
D633,807 S	3/2011	Fahy et al.	
D640,349 S	6/2011	Swain et al.	
D654,985 S	2/2012	Swain et al.	
D655,172 S	3/2012	Brooks et al.	
D668,744 S	10/2012	Swain et al.	
D700,948 S	3/2014	McGiveron	
D704,554 S	5/2014	Baird	
D710,198 S	8/2014	Blowfield et al.	
D733,569 S	7/2015	Martinon	
D742,999 S	* 11/2015	Moya	D23/225

* cited by examiner

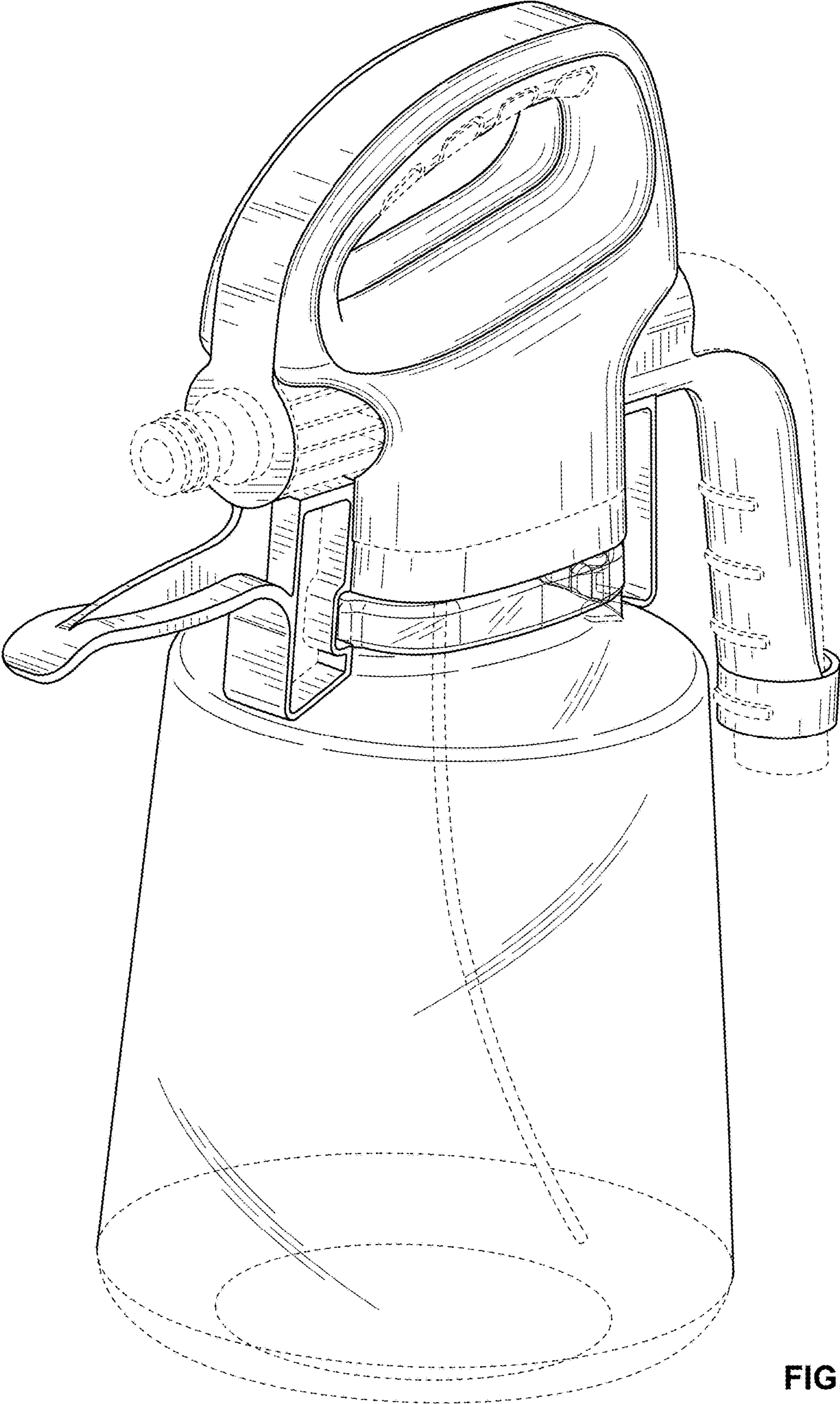


FIG. 1

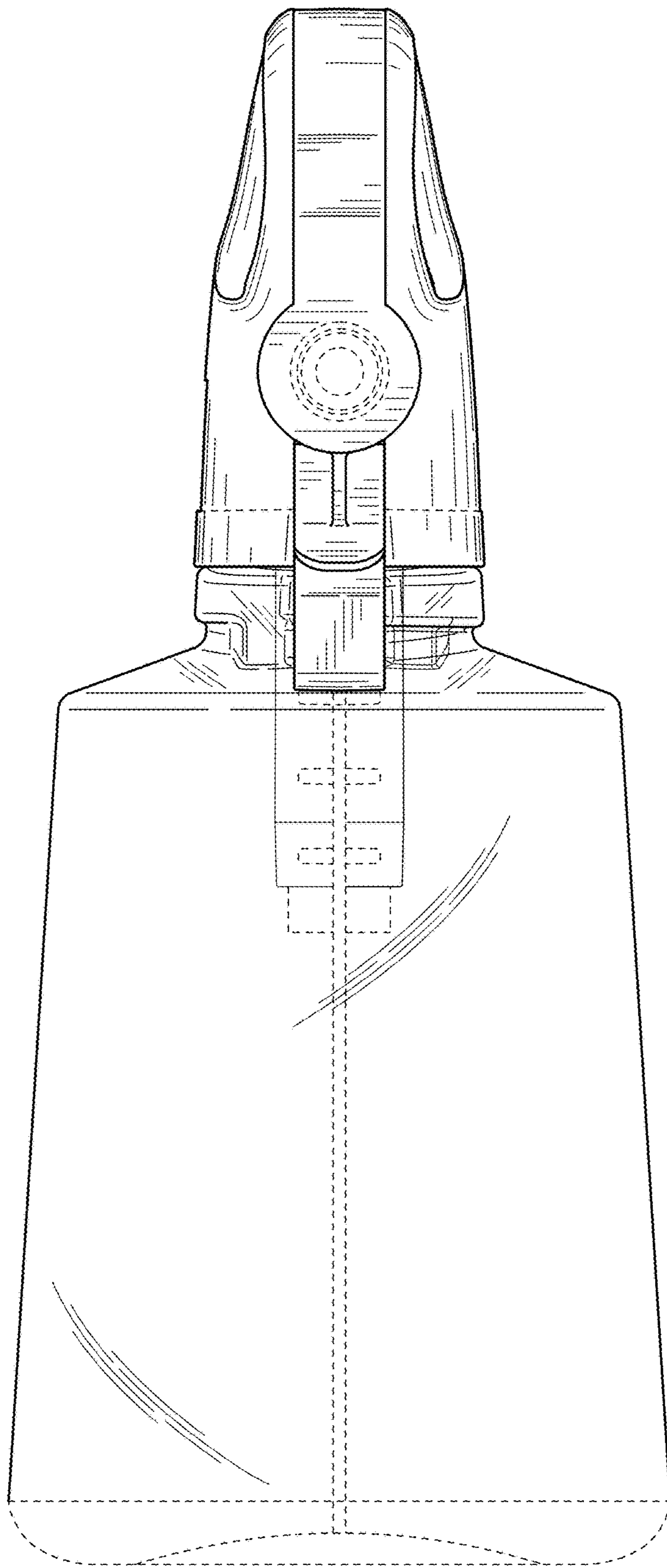


FIG. 2

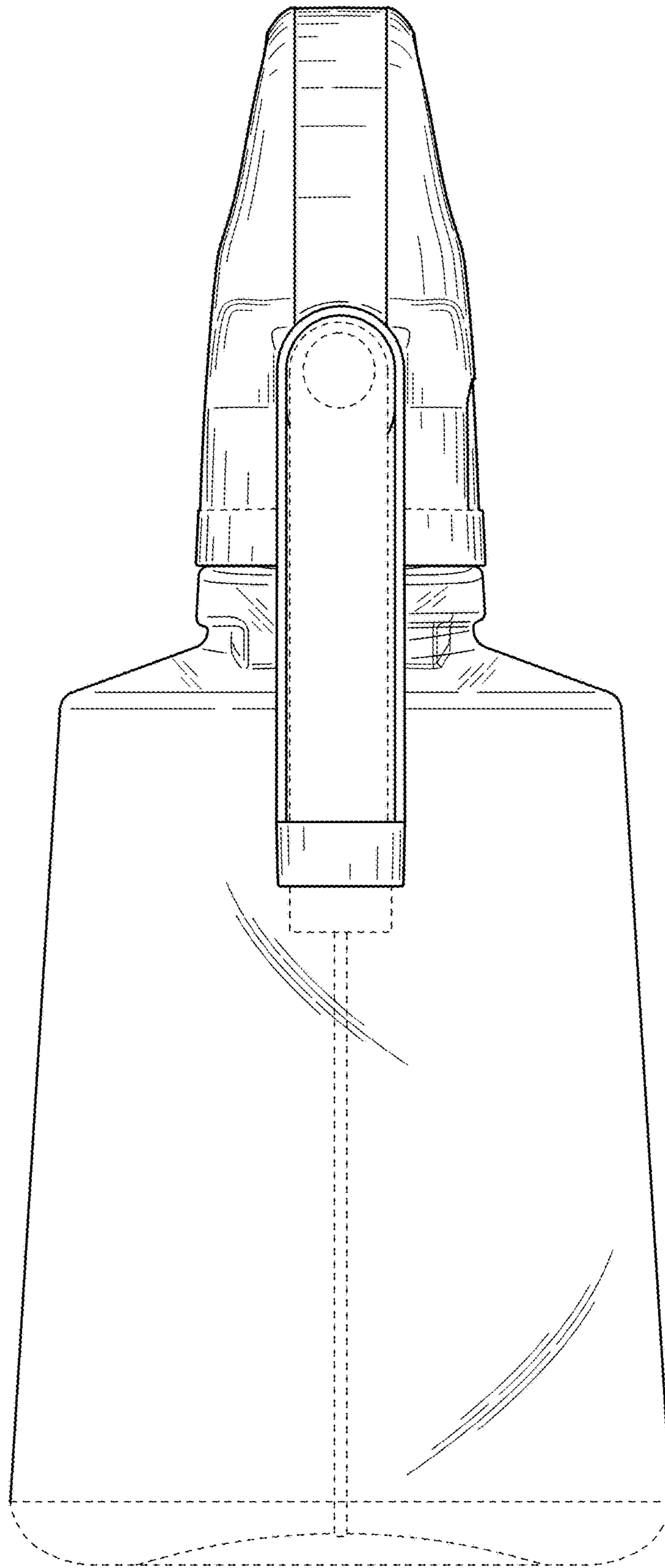


FIG. 3

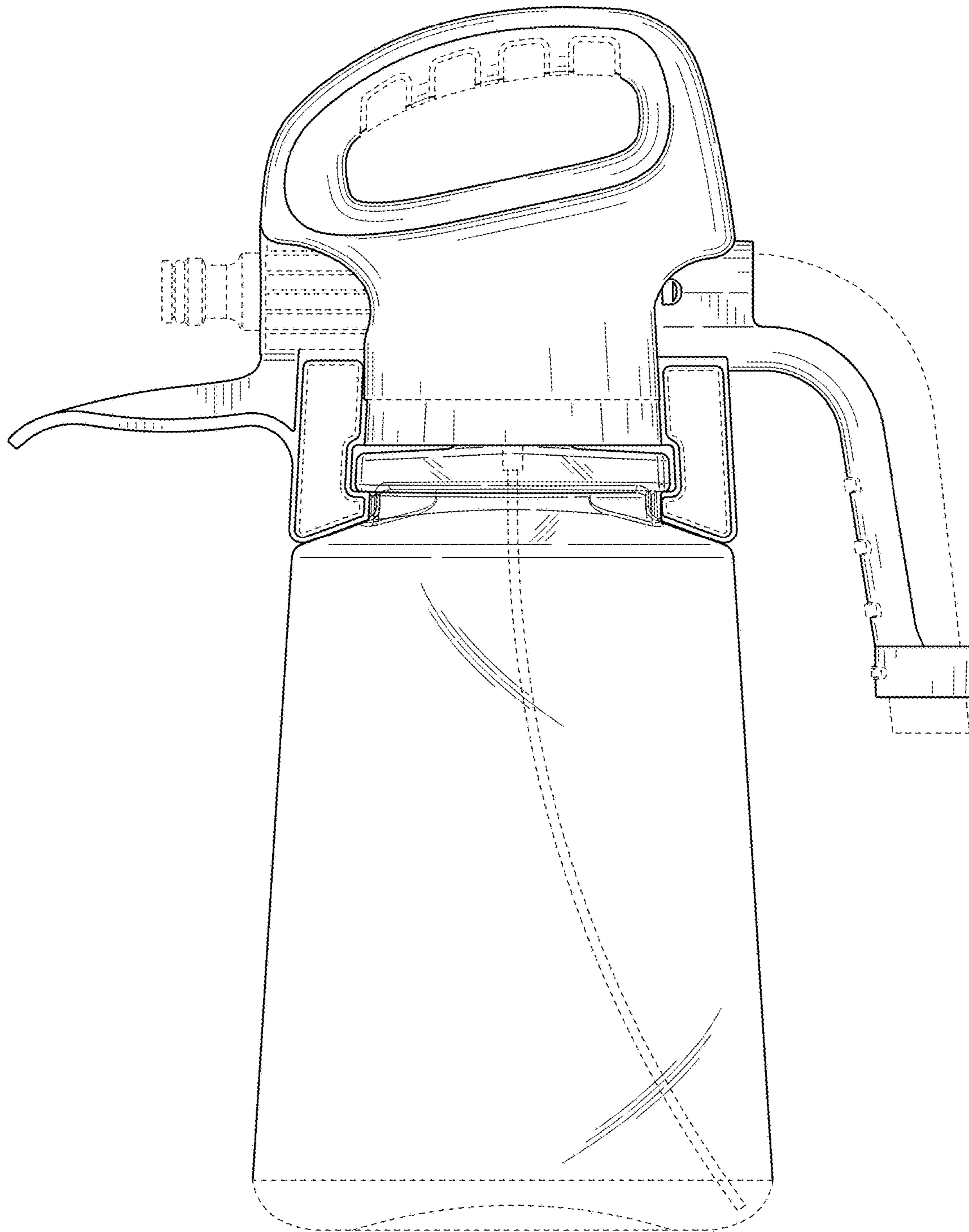


FIG. 4

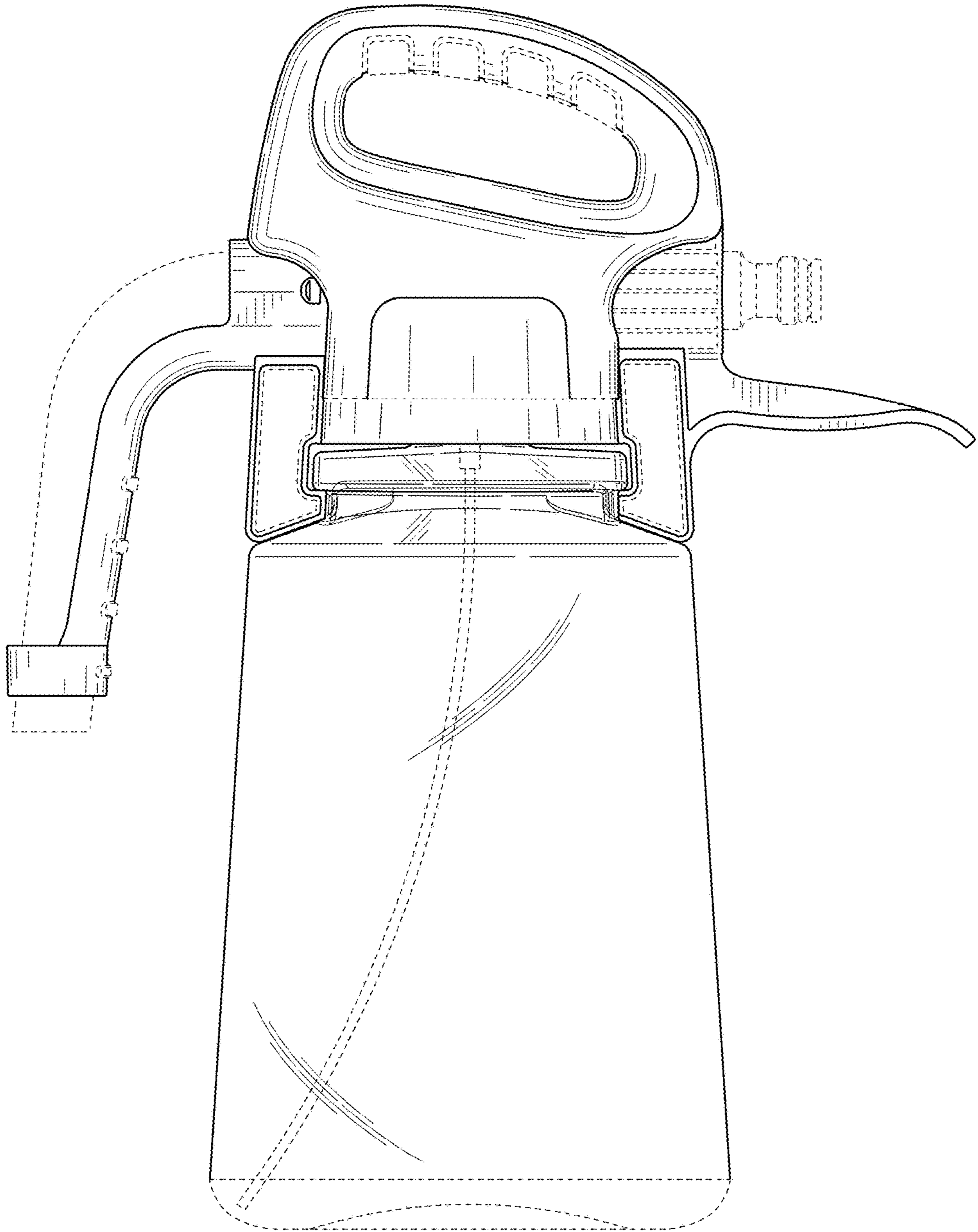


FIG. 5

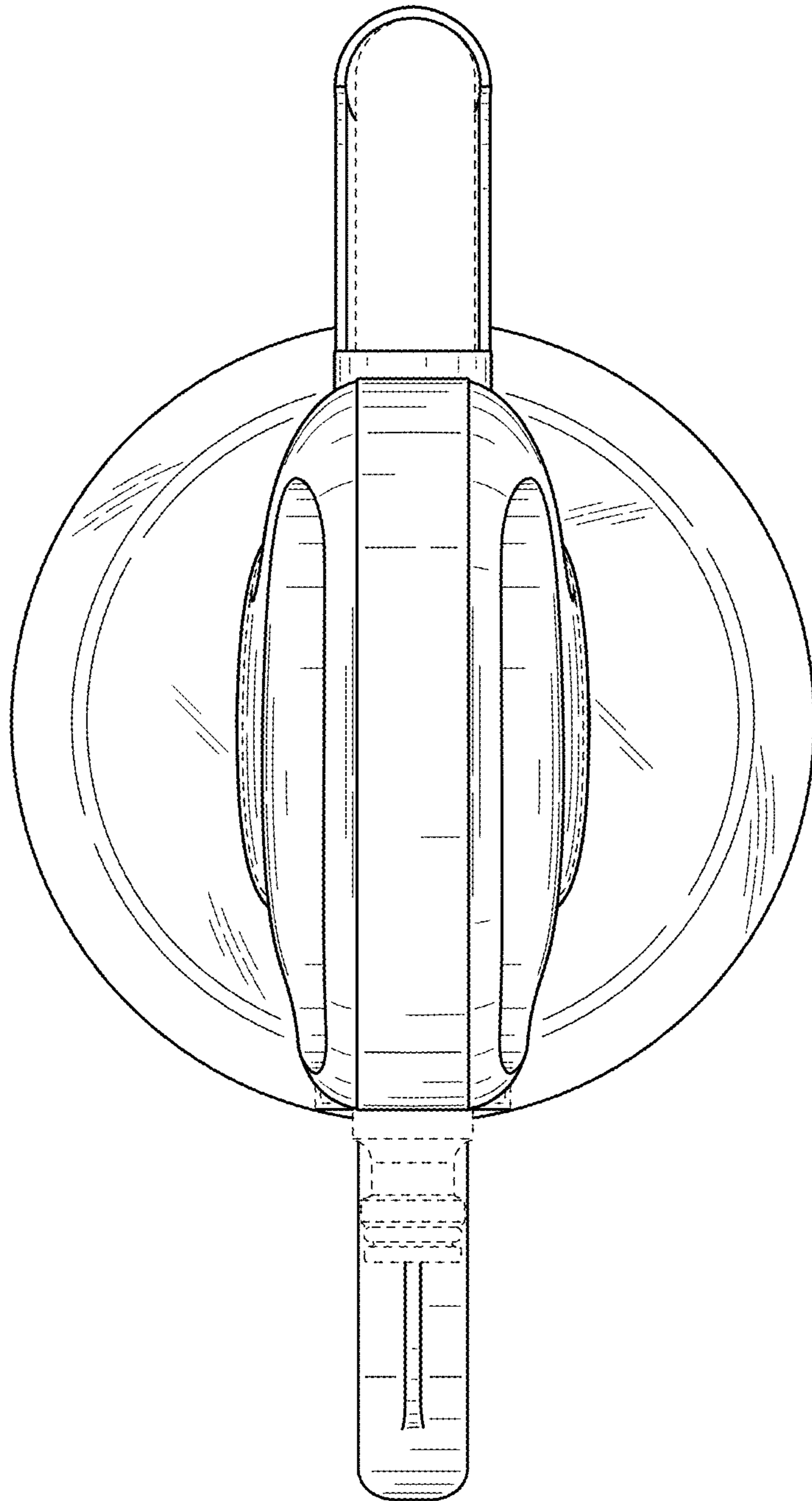


FIG. 6

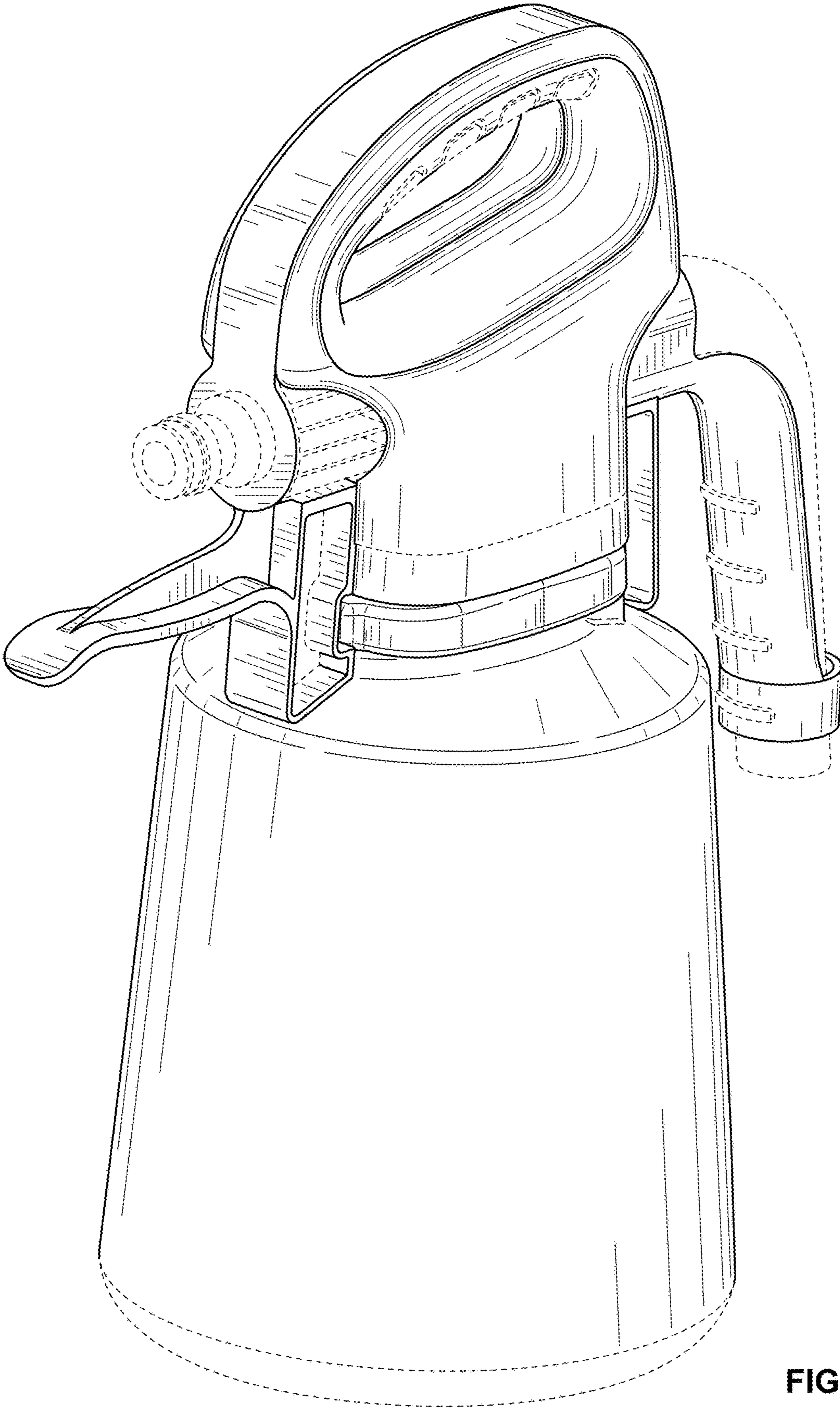


FIG. 7