



US00D809096S

(12) **United States Design Patent**
Wang

(10) **Patent No.:** **US D809,096 S**

(45) **Date of Patent:** **** Jan. 30, 2018**

(54) **WATER SPRAY GUN FOR FIREFIGHTING**

(71) Applicant: **Wen Chang Wang**, Tainan (TW)

(72) Inventor: **Wen Chang Wang**, Tainan (TW)

(**) Term: **15 Years**

(21) Appl. No.: **29/579,260**

(22) Filed: **Sep. 29, 2016**

(51) **LOC (11) Cl.** **23-01**

(52) **U.S. Cl.**
USPC **D23/223**

(58) **Field of Classification Search**
USPC D23/213, 223, 226; 239/526
CPC B05B 1/18; B05B 9/01; B05B 15/061;
B05B 3/00; B05B 5/00; A62C 31/03;
A62C 31/02

See application file for complete search history.

(56) **References Cited**

U.S. PATENT DOCUMENTS

- 571,940 A * 11/1896 Binford A62C 31/03
169/37
- D170,447 S * 9/1953 Caird D23/226
- 4,470,549 A * 9/1984 Binford A62C 31/02
239/526
- 5,795,053 A * 8/1998 Pierce A62B 3/00
362/191
- D419,641 S * 1/2000 Wilson D23/213

- D515,662 S * 2/2006 Chen D23/223
- D557,378 S * 12/2007 Chen D23/223
- D576,253 S * 9/2008 Cheng D23/223
- D599,433 S * 9/2009 Zore D23/223
- D666,275 S * 8/2012 DeVore D23/223

* cited by examiner

Primary Examiner — Robin V Webster

(74) *Attorney, Agent, or Firm* — Alan D. Kamrath;
Kamrath IP Lawfirm, P.A.

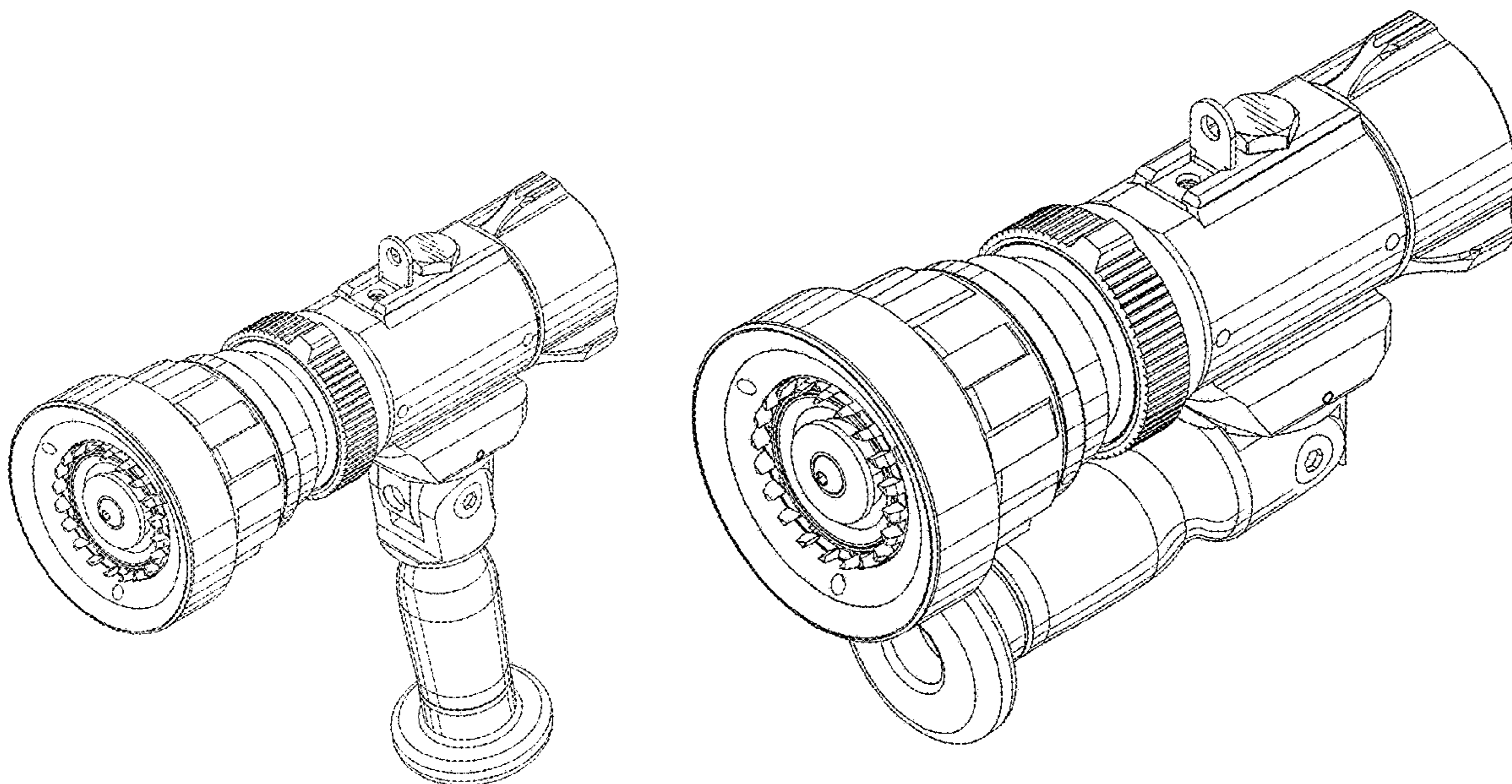
(57) **CLAIM**

The ornamental design for a water spray gun for firefighting, as shown and described.

DESCRIPTION

FIG. 1 is a perspective view of the water spray gun for firefighting showing my new design;
 FIG. 2 is a front elevational view thereof;
 FIG. 3 is a rear elevational view thereof;
 FIG. 4 is a left side elevational view thereof;
 FIG. 5 is a right side elevational view thereof;
 FIG. 6 is a top plan view thereof;
 FIG. 7 is a bottom plan view thereof;
 FIG. 8 is a reference view showing the water spray gun being in folding status thereof; and,
 FIG. 9 is a reference view showing the water spray gun being in using status.
 The broken line showing of the reference environment in FIG. 9 is included for the purpose of illustrating and forms no part of the claimed design.

1 Claim, 7 Drawing Sheets



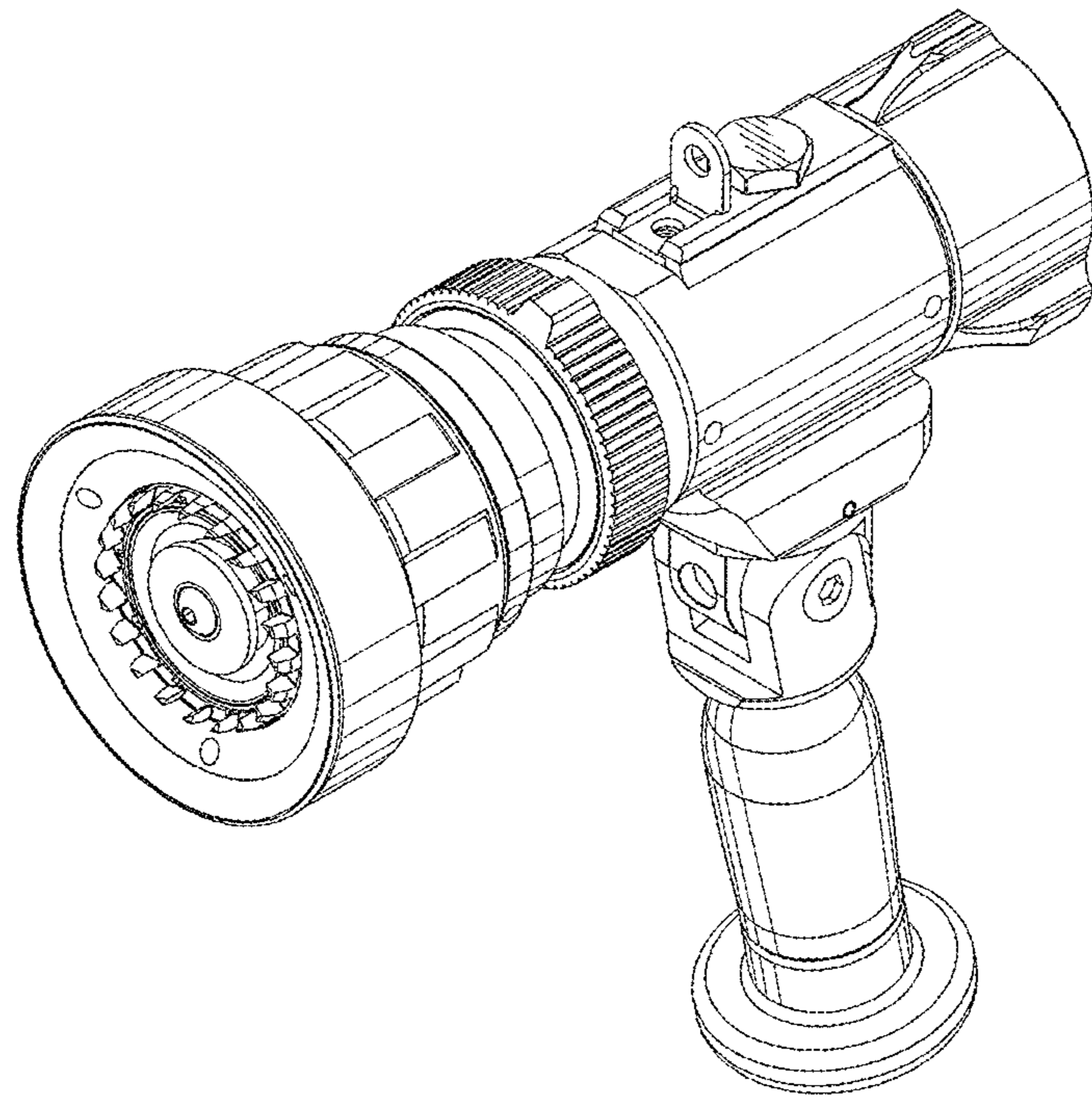


FIG. 1

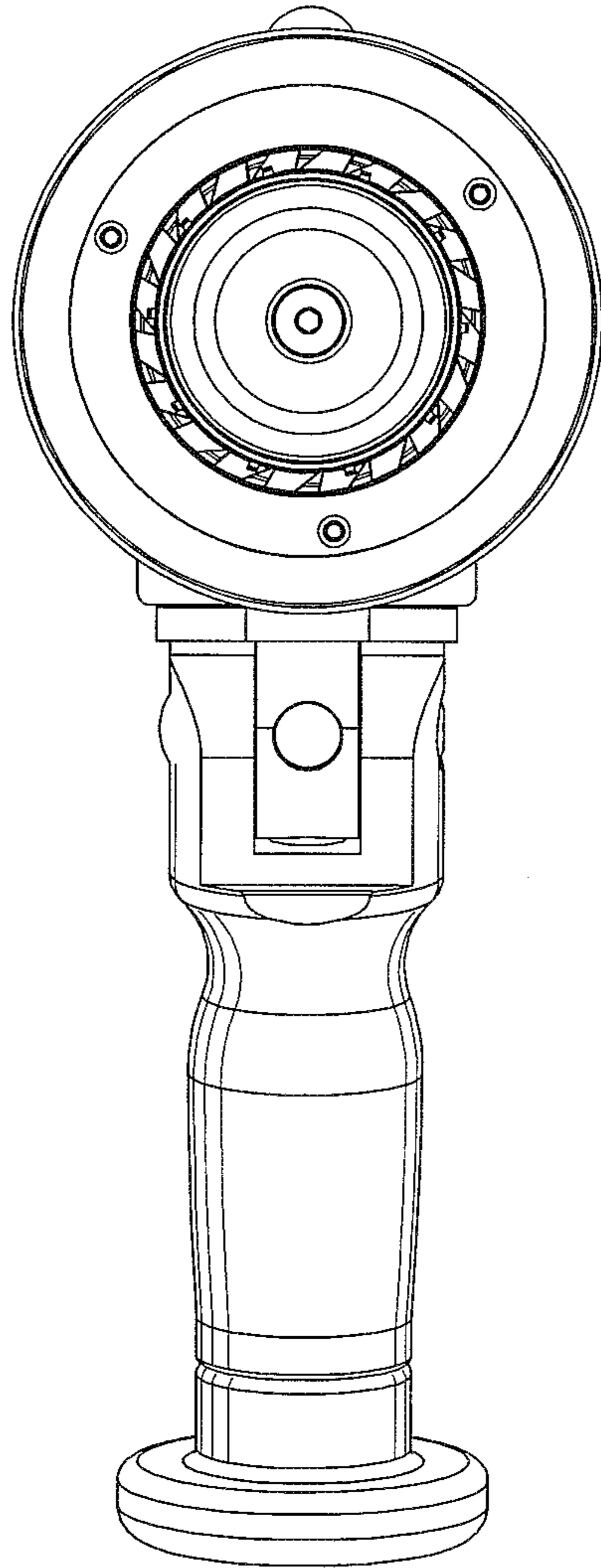


FIG. 2

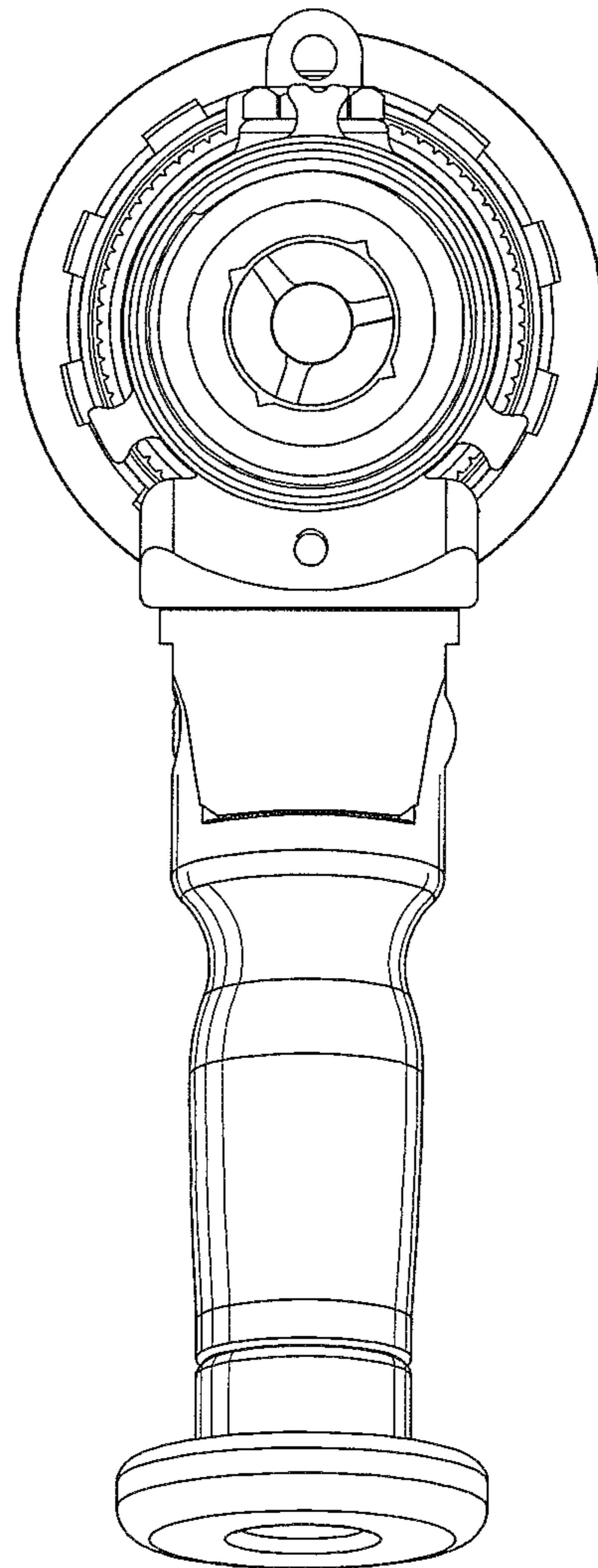


FIG. 3

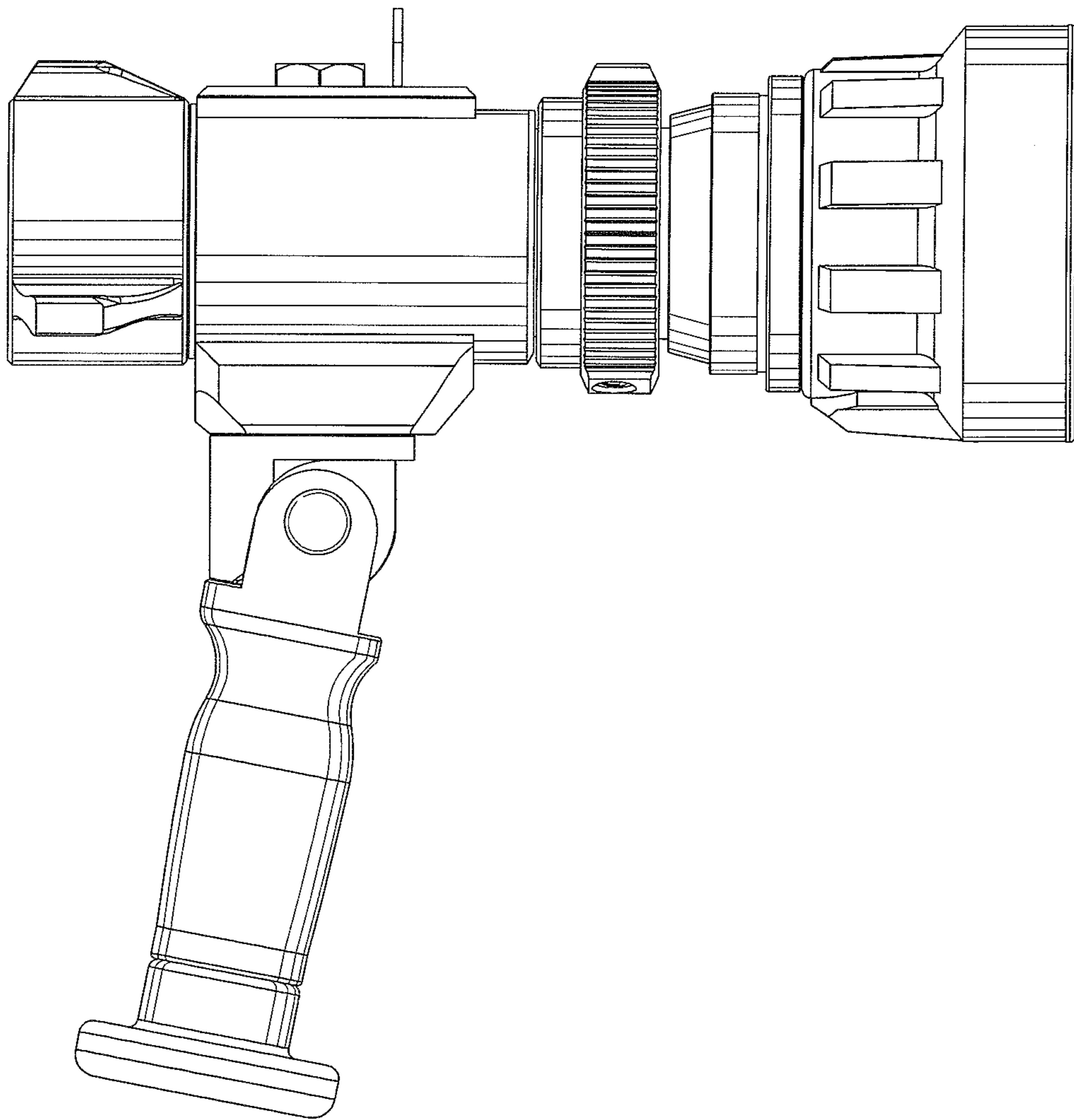


FIG. 4

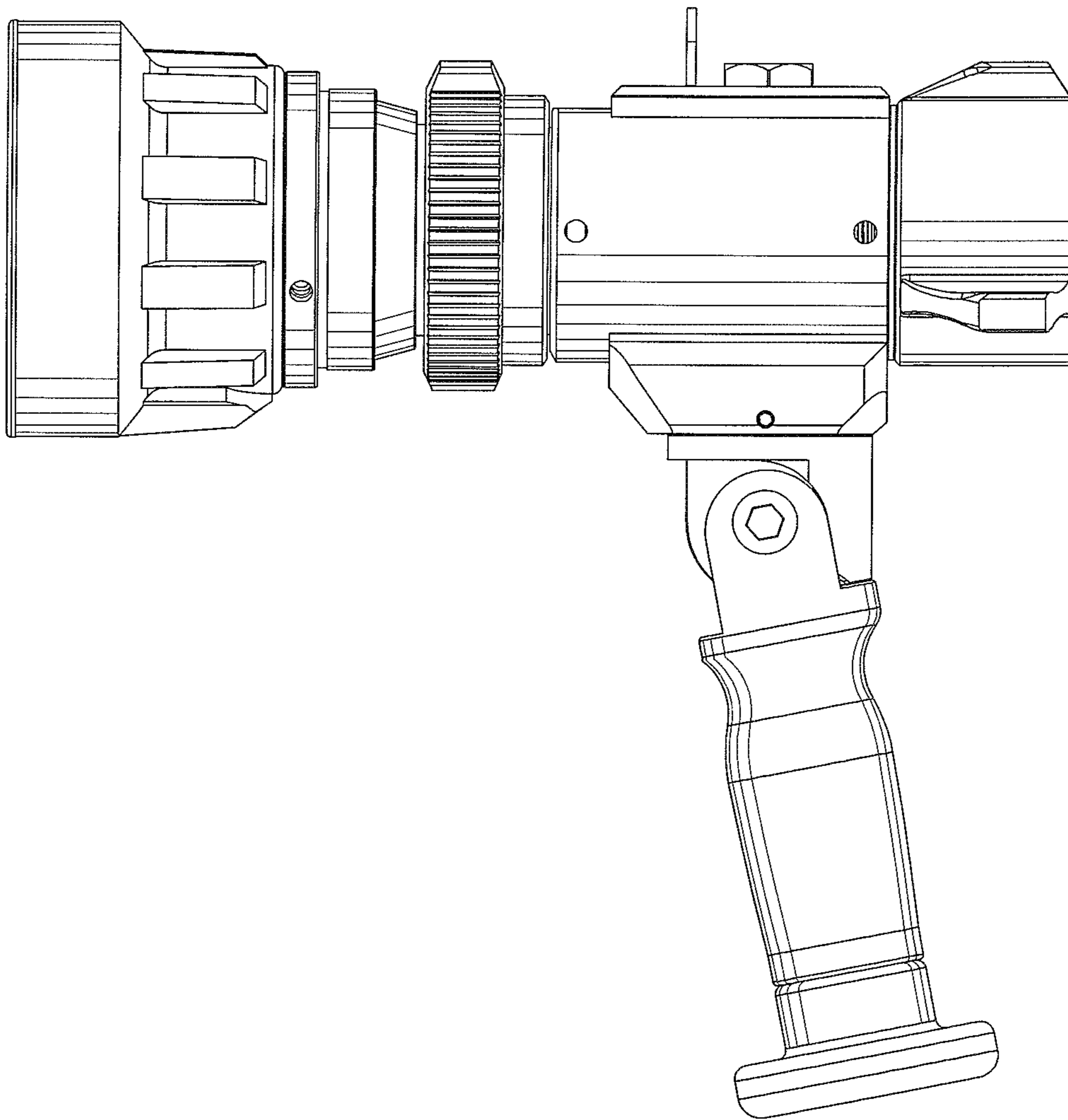


FIG. 5

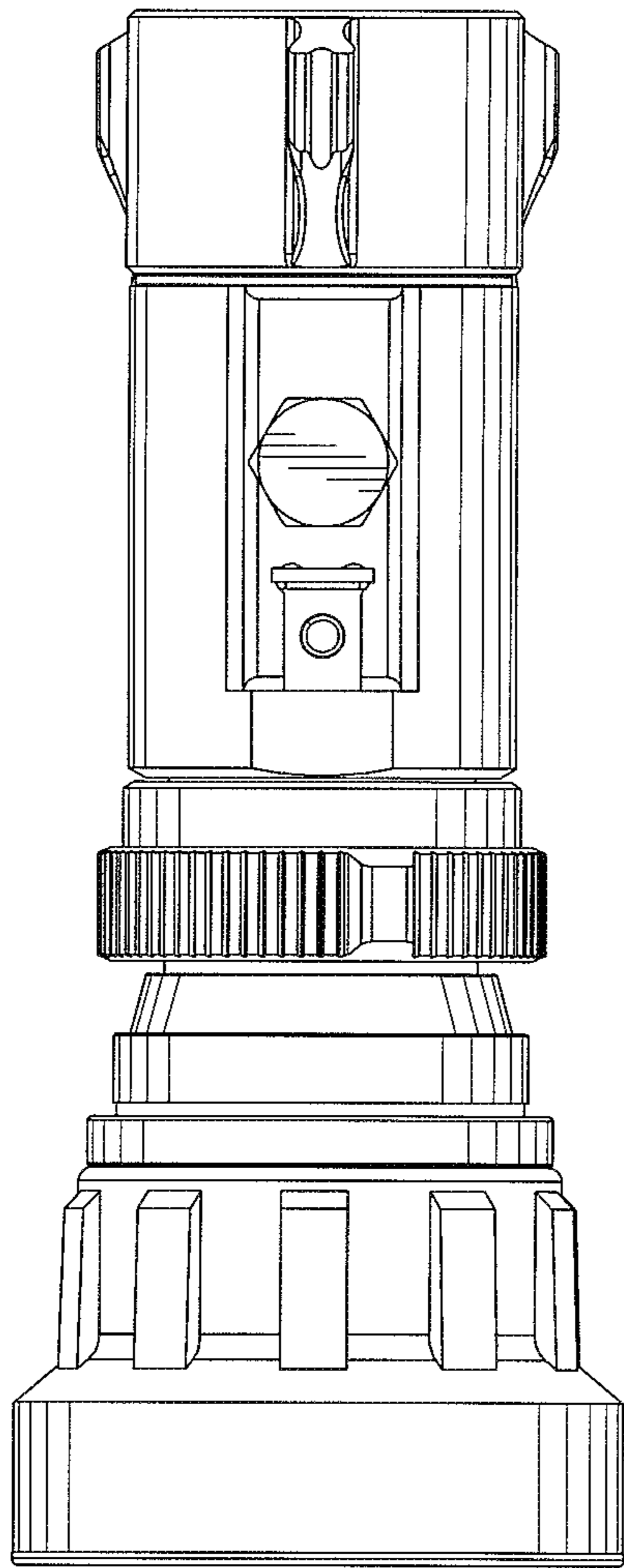


FIG. 6

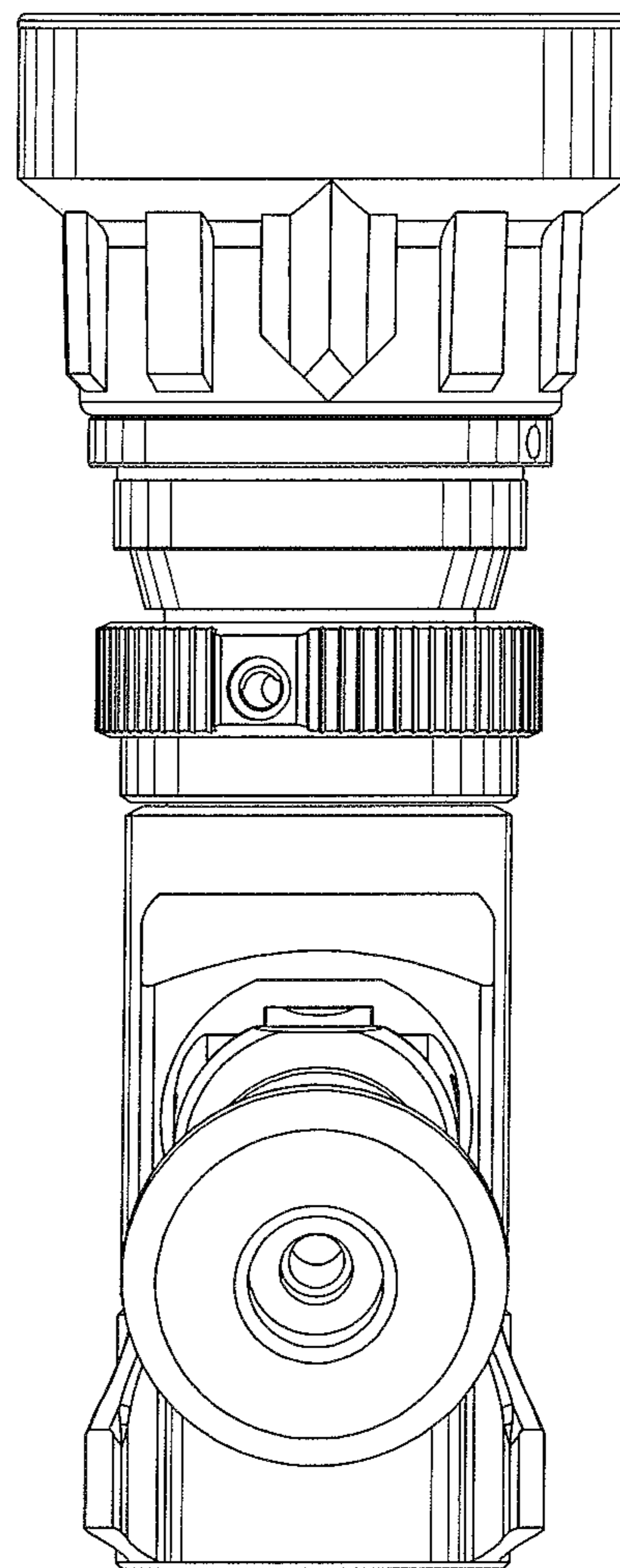


FIG. 7

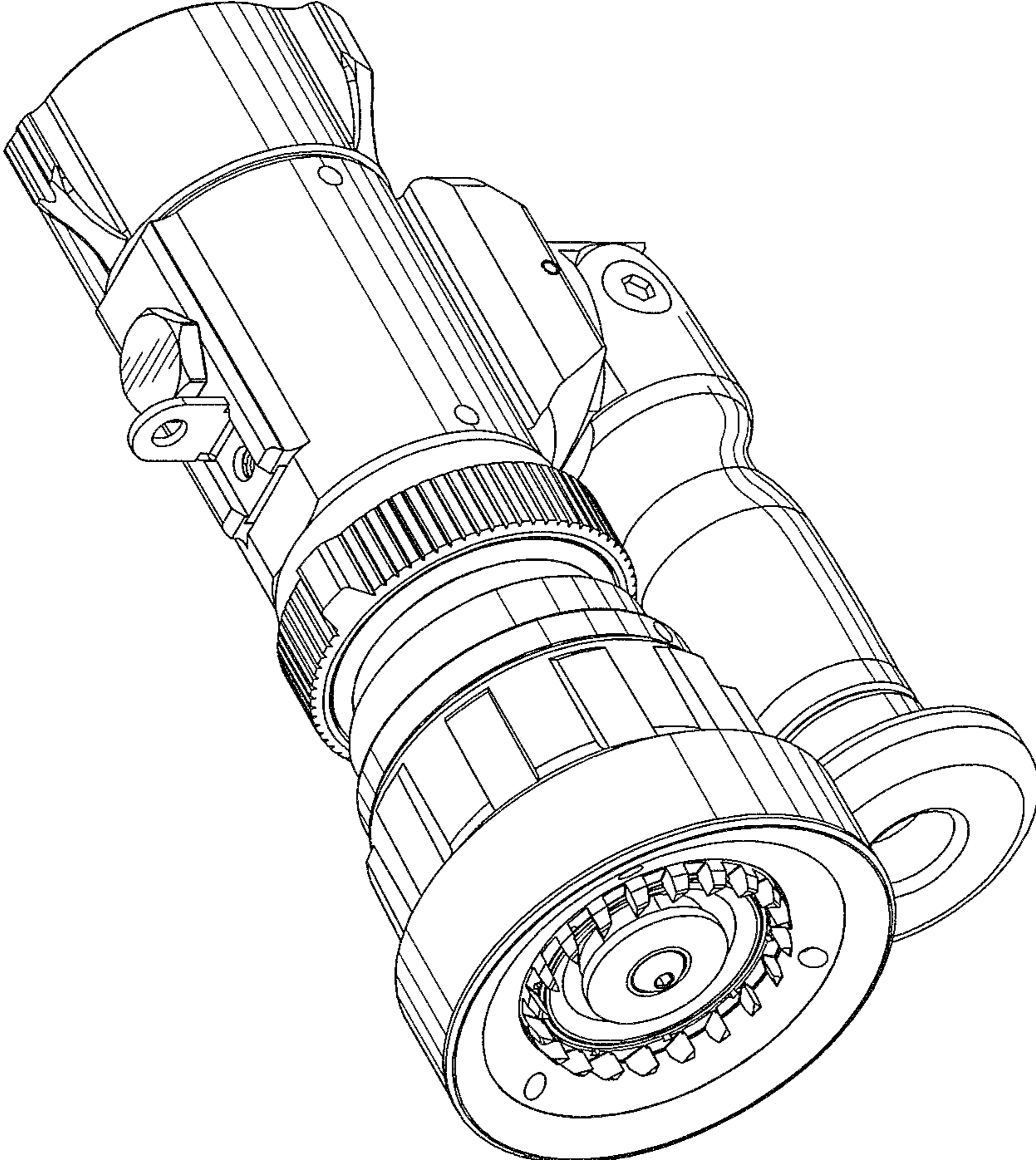


FIG. 8

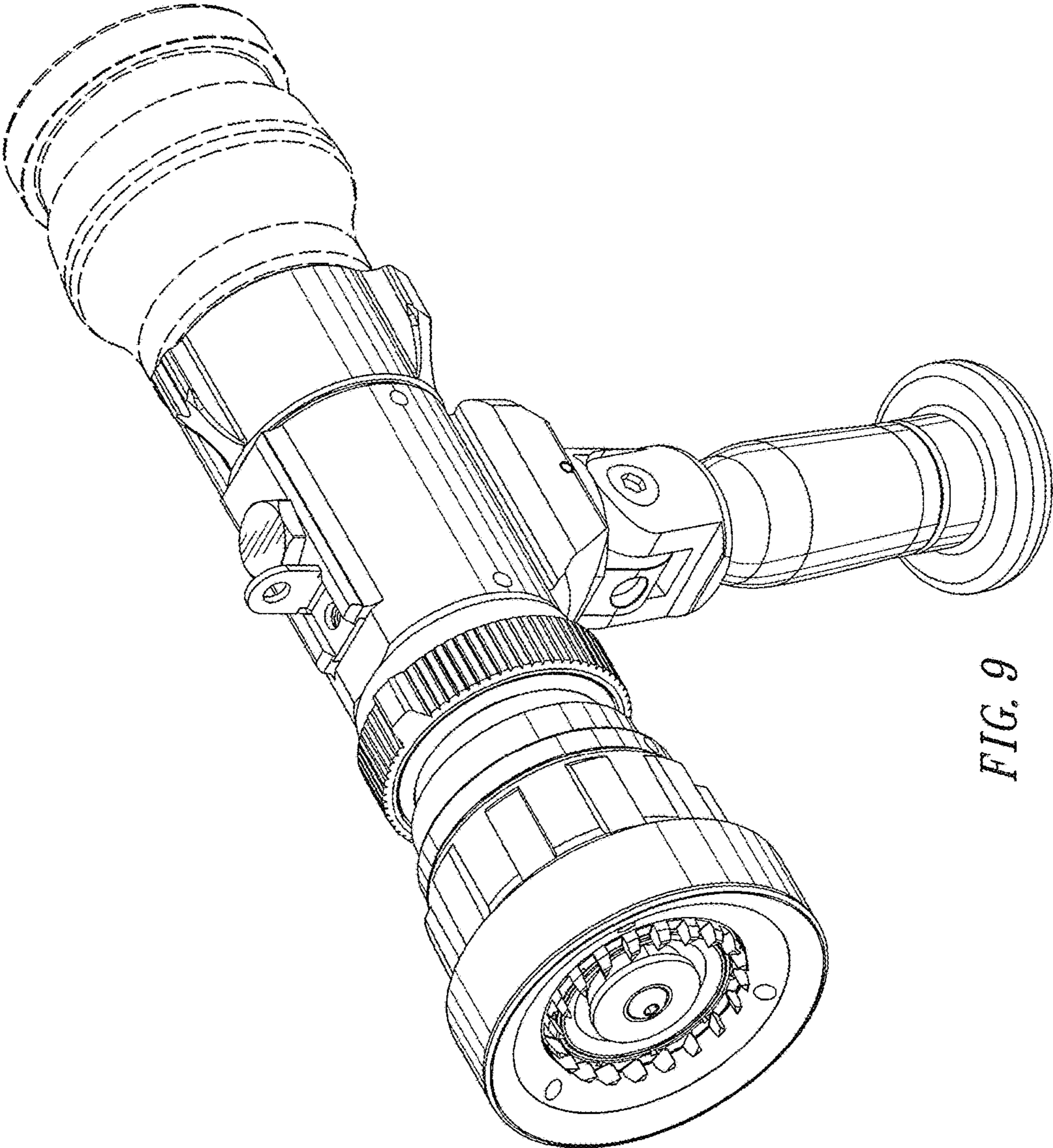


FIG. 9