



US00D809095S

(12) **United States Design Patent**
Baker

(10) **Patent No.:** **US D809,095 S**

(45) **Date of Patent:** **** Jan. 30, 2018**

(54) **WATER DISPENSER**

D467,173 S 10/2011 Niehaus
8,807,461 B2 8/2014 Blattner
D780,287 S * 2/2017 Baker D23/213

(71) Applicant: **Magarl, LLC**, Naples, FL (US)

(72) Inventor: **Thomas R. Baker**, Noblesville, IN (US)

(73) Assignee: **Magarl, LLC**, Naples, FL (US)

(**) Term: **15 Years**

(21) Appl. No.: **29/593,819**

(22) Filed: **Feb. 13, 2017**

OTHER PUBLICATIONS

CIPO Examiners Report, Serial No. 166528, 2 pages Apr. 29, 2016.
Response Filed to CIPO, Serial No. 166528, 6 pages Aug. 26, 2016.
CA Design Appln. 166528, Examiner's Report, 2 pages Apr. 29, 2016.
CA Design Appln. 166528, Response to Examiner's Report, 6 pages Aug. 26, 2016.
U.S. Appl. No. 29/534,844, Notice of Allowance dated Oct. 26, 2016.

* cited by examiner

Primary Examiner — Robin V Webster

(74) *Attorney, Agent, or Firm* — John V. Daniluck;
Bingham Greenebaum Doll LLP

Related U.S. Application Data

(62) Division of application No. 29/534,844, filed on Jul. 31, 2015, now Pat. No. Des. 780,287.

(51) **LOC (11) Cl.** **23-01**

(52) **U.S. Cl.**
USPC **D23/213**

(58) **Field of Classification Search**
USPC D23/213, 223, 229-30; 4/601; 239/536,
239/548, 556, 557

CPC B05B 1/14
See application file for complete search history.

CLAIM

(57) The ornamental design for a water dispenser, as shown and described.

DESCRIPTION

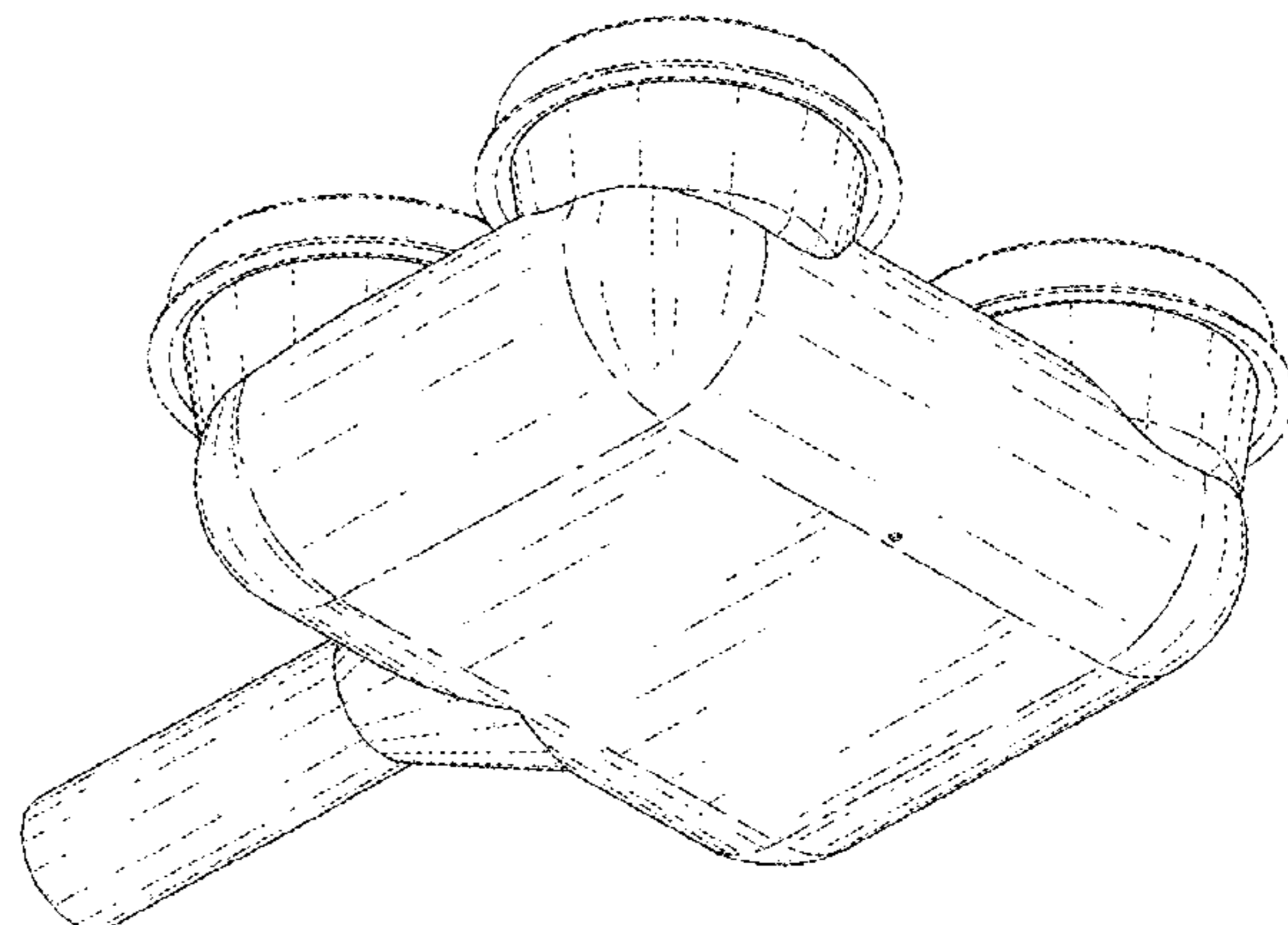
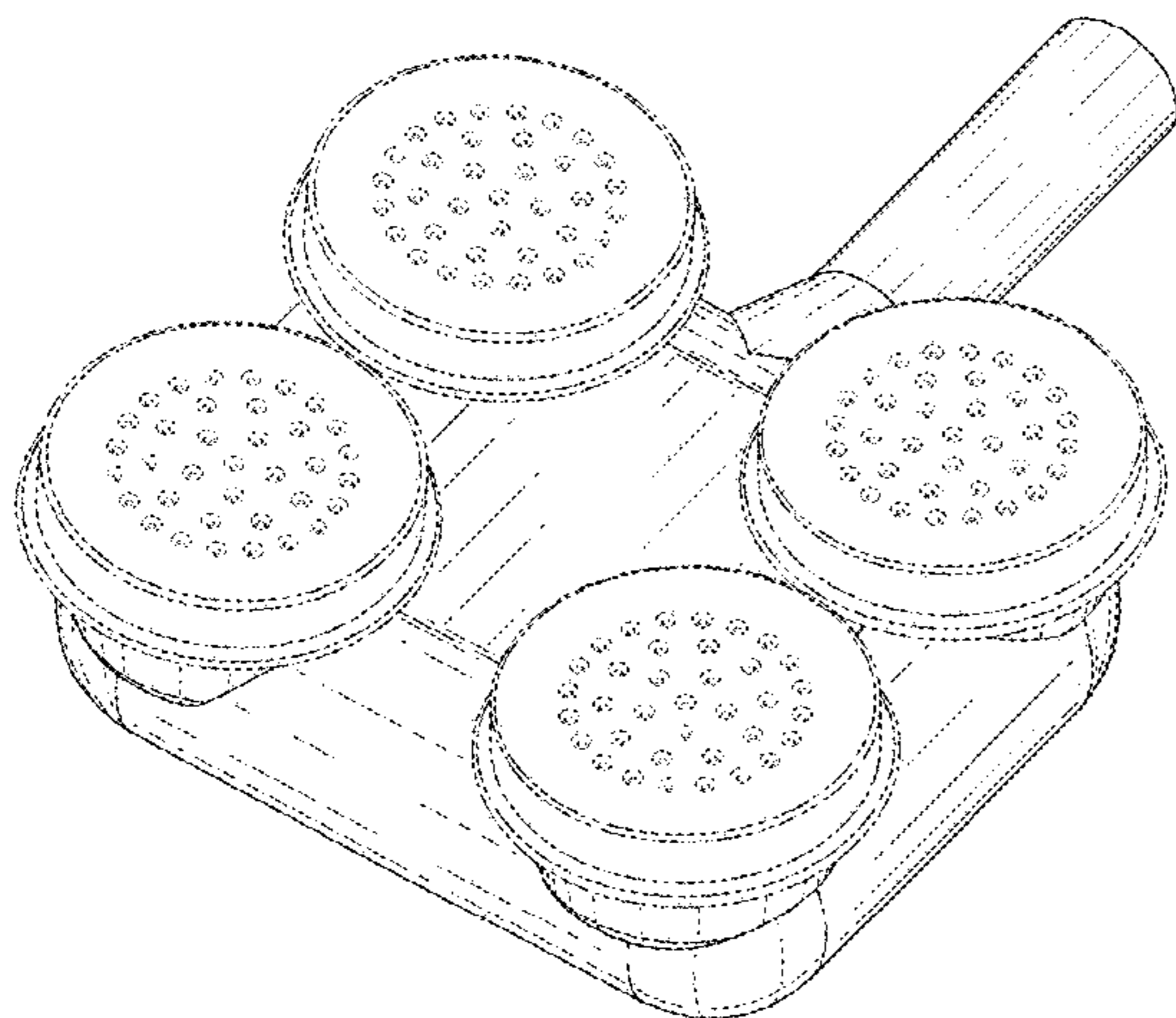
FIG. 1 is a top, front, left perspective view of a water dispenser showing my new design;
FIG. 2 is a bottom, front, right side view of the apparatus of FIG. 1;
FIG. 3 is frontal view of the apparatus of FIG. 1;
FIG. 4 is a top plan view of the apparatus of FIG. 1;
FIG. 5 is a left side elevational view of the apparatus of FIG. 1;
FIG. 6 is a right side elevational view of the apparatus of FIG. 1; and,
FIG. 7 is a bottom plan view of the apparatus of FIG. 1.
The broken line showing of portions of the water dispenser is included for the purpose of illustrating and forms no part of the claimed design.

References Cited

U.S. PATENT DOCUMENTS

2,222,465	A	11/1940	Nystrom
2,681,254	A	6/1954	Fuller
5,230,472	A	7/1993	McCabe
5,769,802	A	6/1998	Wang
D495,027	S	8/2004	Mazzola
D536,060	S	1/2007	Sadler
D552,713	S	10/2007	Rexach
D566,229	S	4/2008	Rexach
D567,328	S	4/2008	Spangler
D588,229	S	3/2009	Lammel

1 Claim, 4 Drawing Sheets



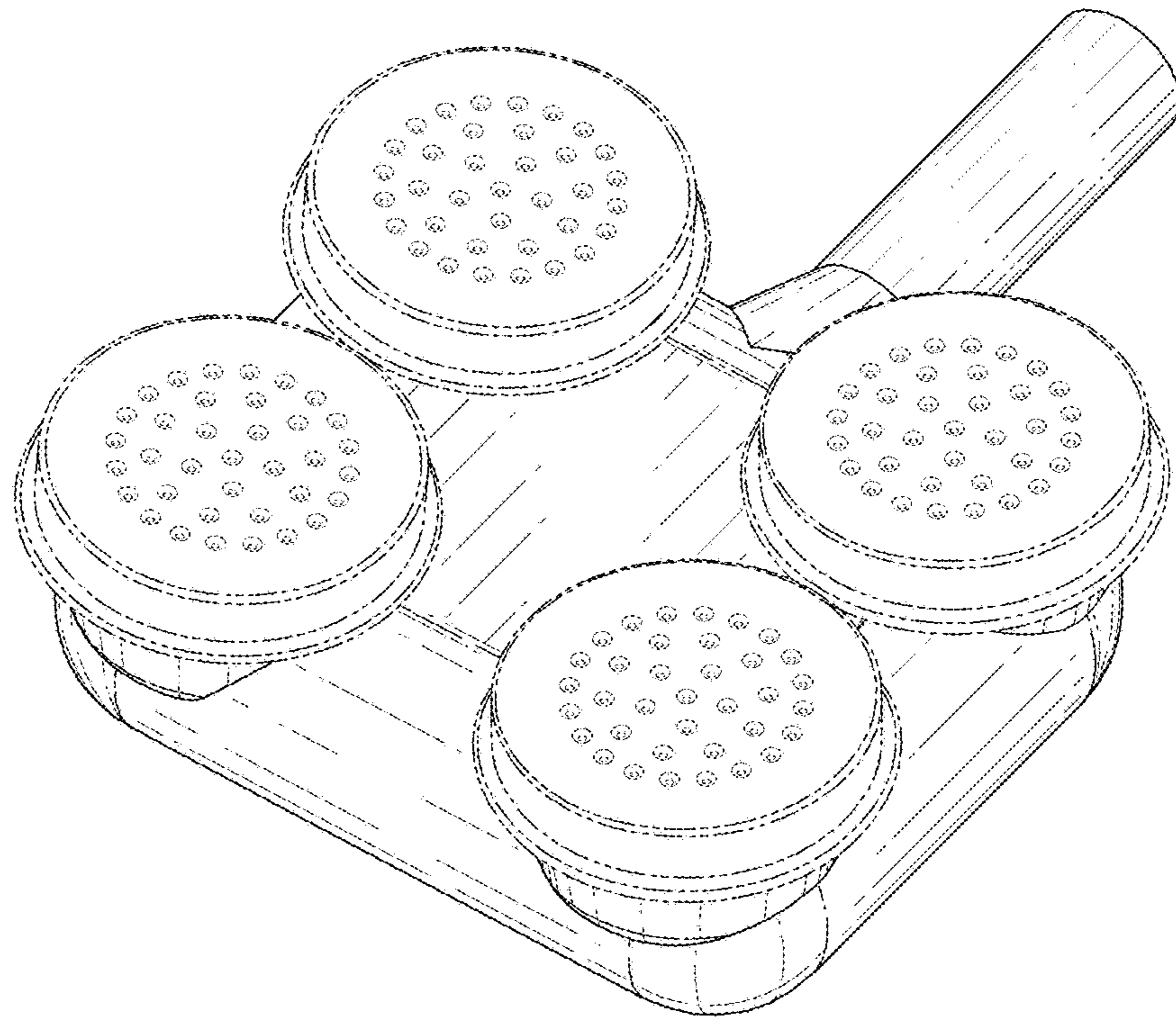


FIG. 1

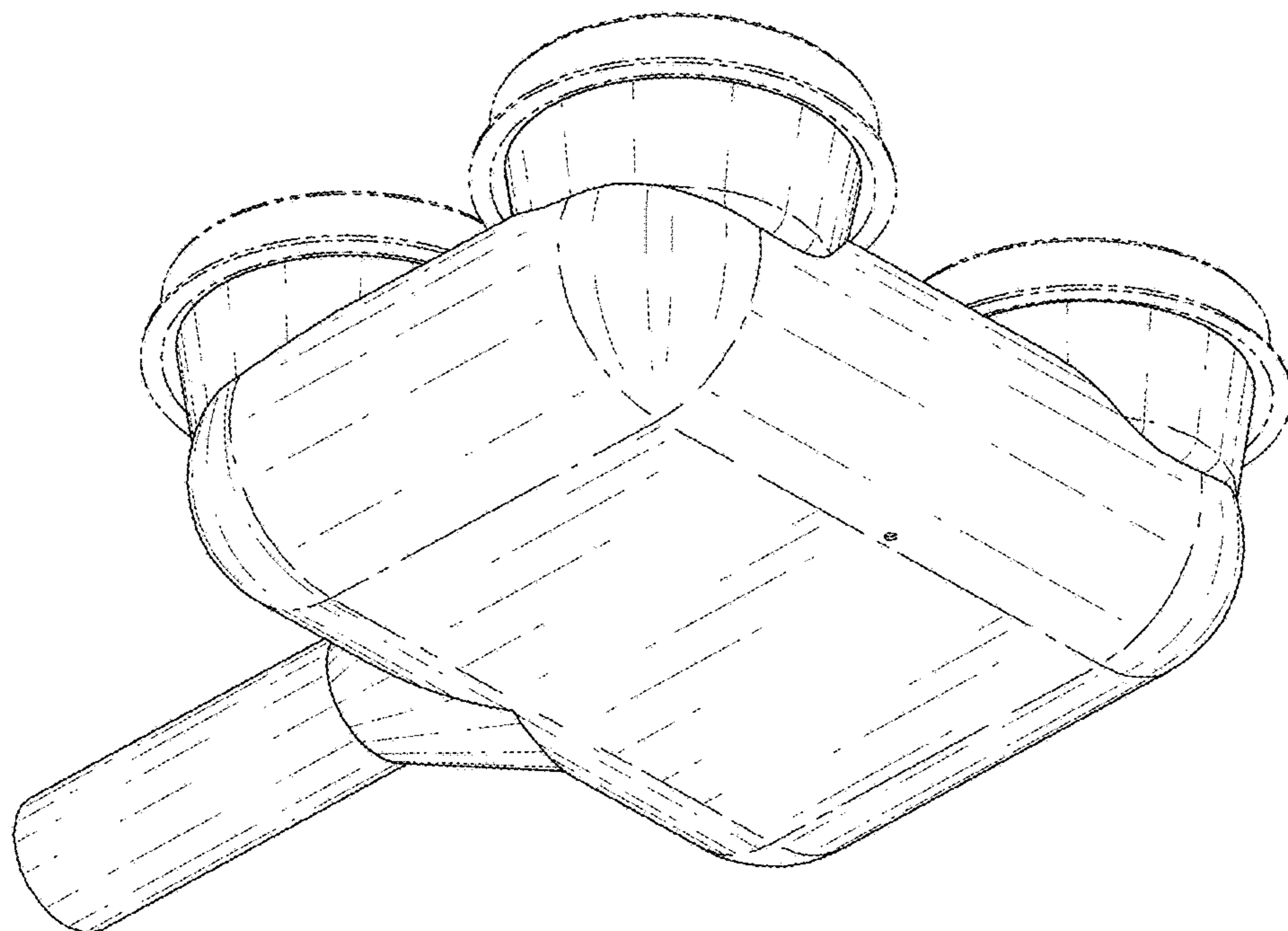


FIG. 2

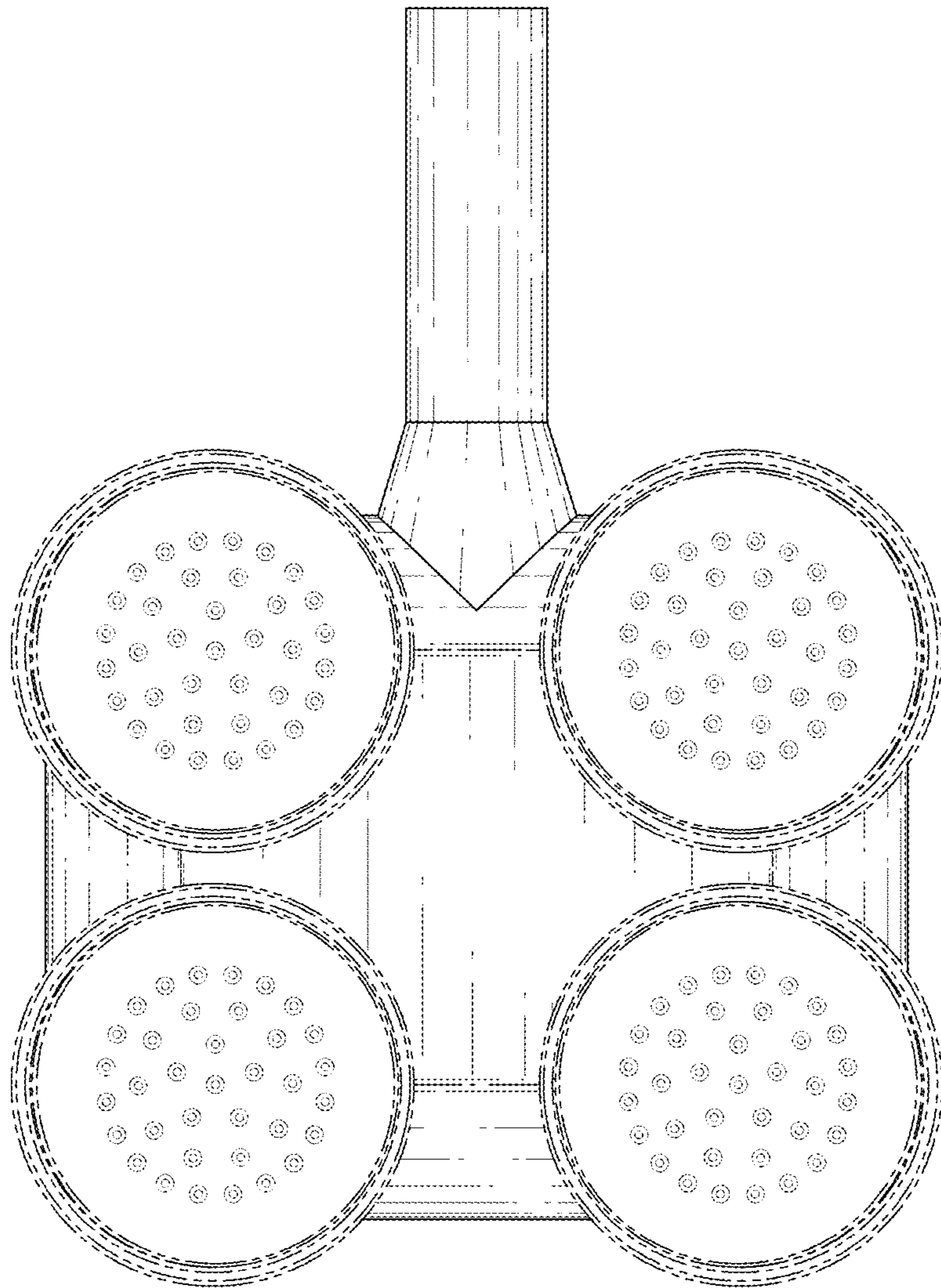


FIG. 3

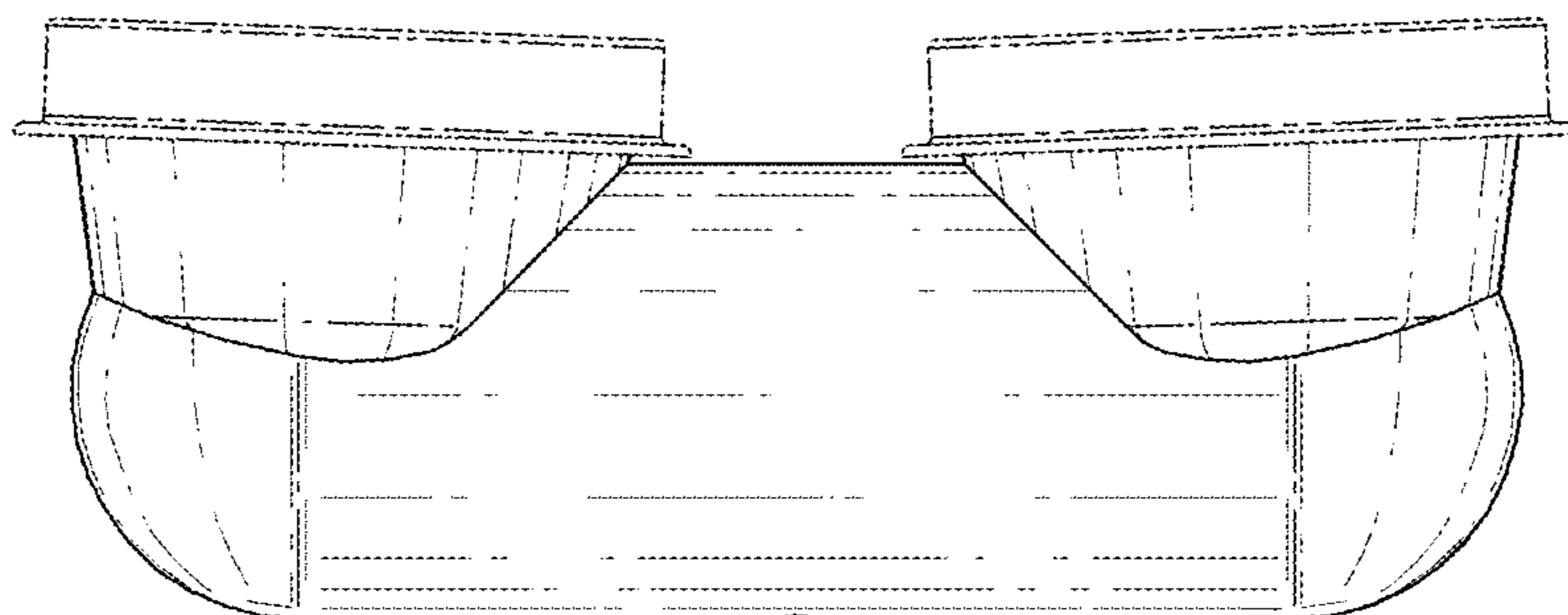


FIG. 4

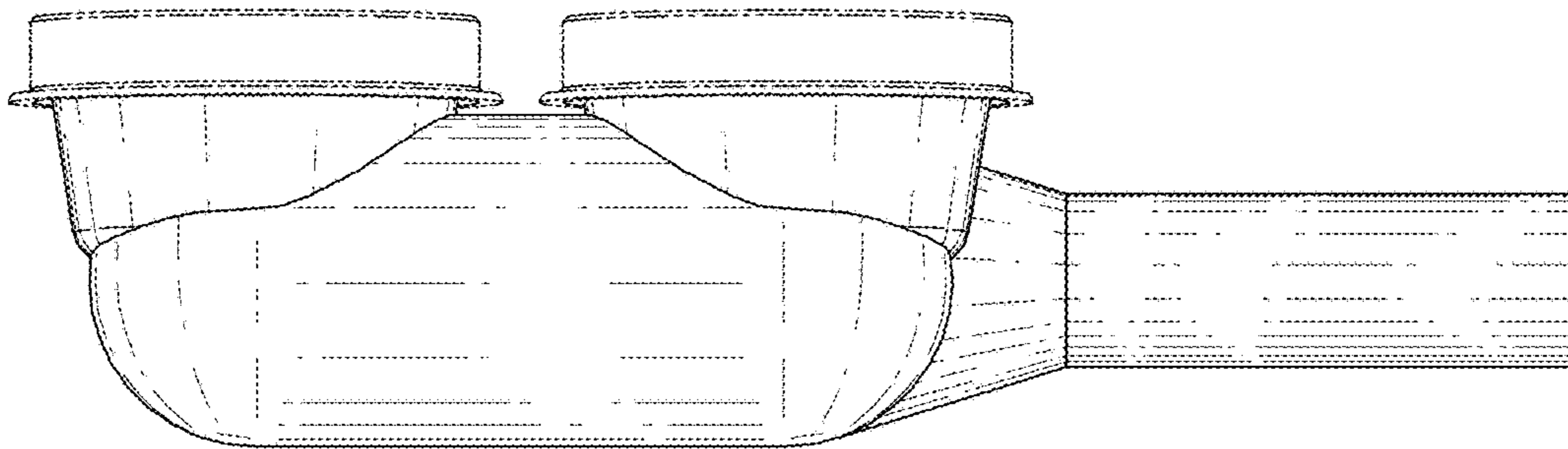


FIG. 5

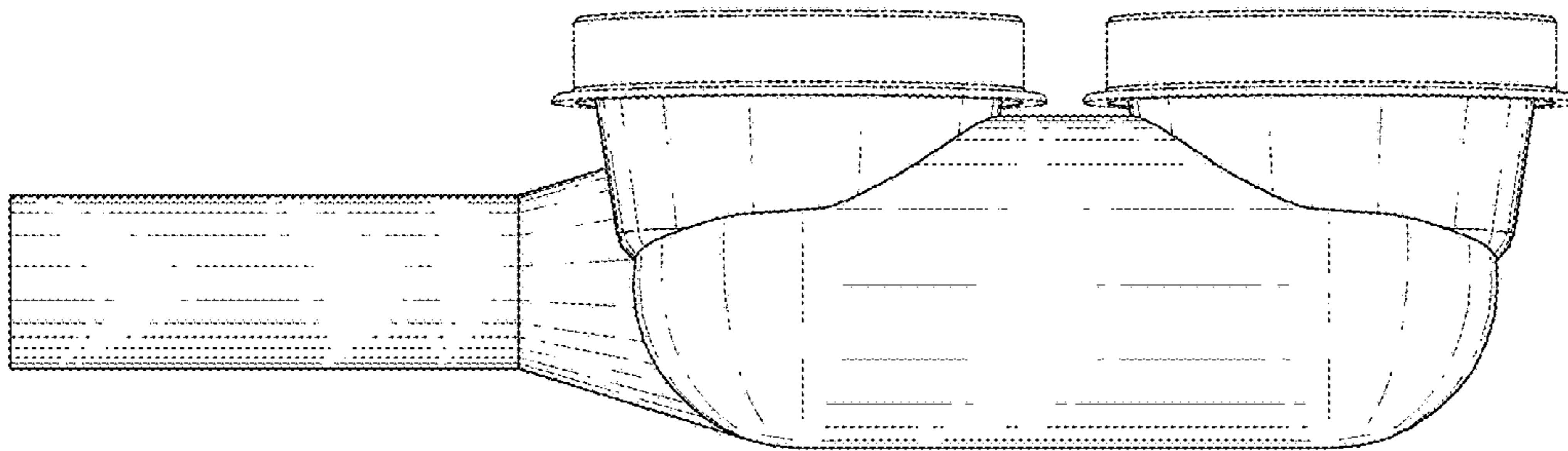


FIG. 6

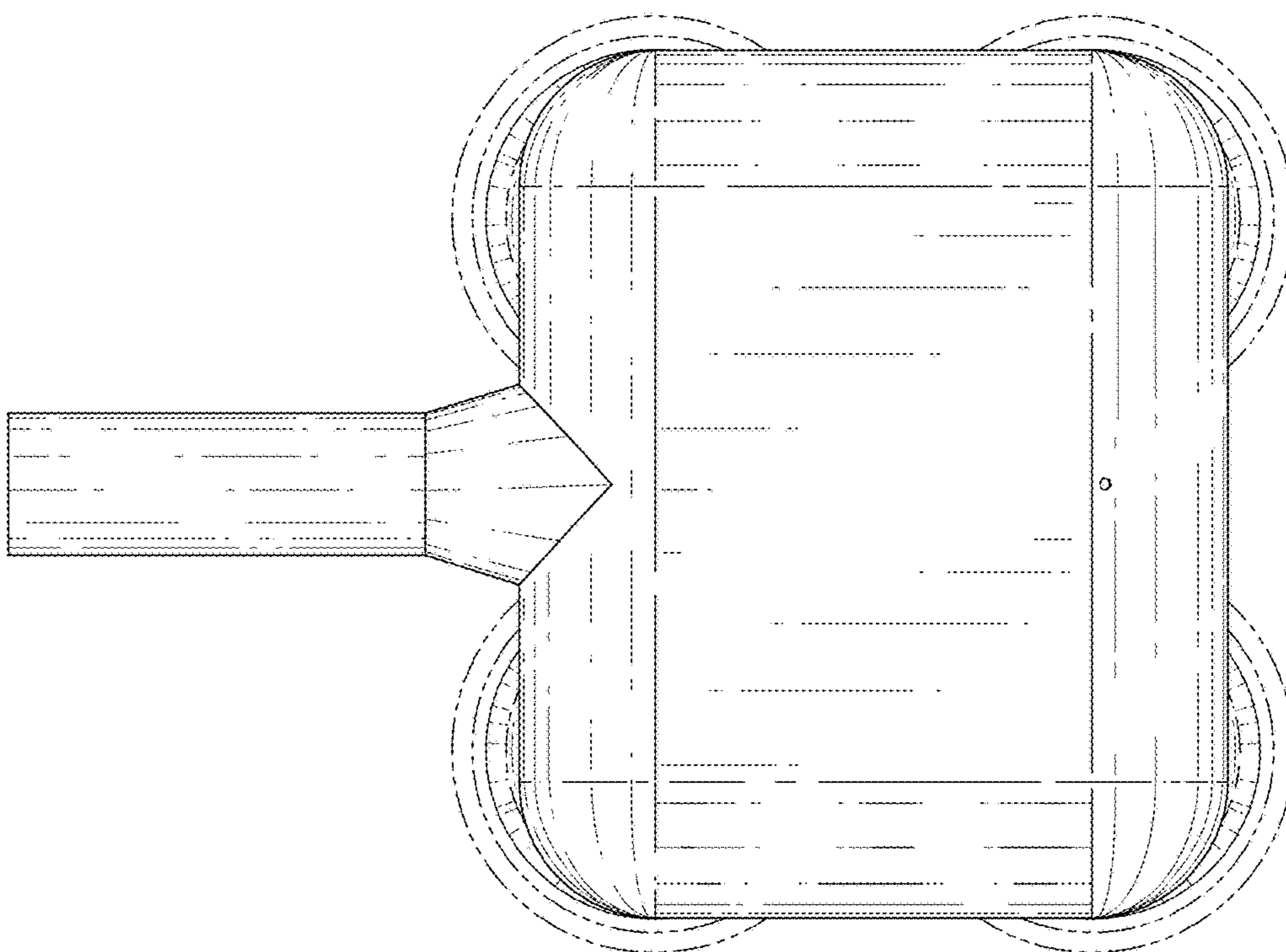


FIG. 7