



US00D809093S

(12) **United States Design Patent** (10) **Patent No.:** **US D809,093 S**
Kasper et al. (45) **Date of Patent:** **** Jan. 30, 2018**

(54) **LUBRICANT DISPENSER**
(71) Applicants: **Joseph A. Kasper**, Lexington, KY
(US); **Steven B. Ruble**, Lexington, KY
(US); **Keith Peshke**, Lexington, KY
(US)

(72) Inventors: **Joseph A. Kasper**, Lexington, KY
(US); **Steven B. Ruble**, Lexington, KY
(US); **Keith Peshke**, Lexington, KY
(US)

(73) Assignee: **Valvoline Licensing and Intellectual
Property LLC**, Lexington, KY (US)

(**) Term: **15 Years**

(21) Appl. No.: **29/579,615**

(22) Filed: **Sep. 30, 2016**

(51) **LOC (11) Cl.** **23-01**

(52) **U.S. Cl.**
USPC **D23/211; D15/150**

(58) **Field of Classification Search**
USPC D6/515, 518-523; D7/615; D9/434-436,
D9/440, 447, 448, 455, 730, 733, 737,
D9/739-741, 744; D15/7, 9.1, 150-152,
D15/199; D23/211-211.2; D34/1, 7, 8
CPC F16N 19/00
See application file for complete search history.

(56) **References Cited**

U.S. PATENT DOCUMENTS

D350,969 S * 9/1994 Chrisco D15/150
D351,394 S * 10/1994 Morris D15/152
D356,951 S * 4/1995 Mitchell D23/211.2
D543,855 S * 6/2007 Cardinal D9/524
D581,481 S * 11/2008 Edwards D23/211
7,611,028 B2 * 11/2009 Desico B65D 23/10
215/398
D616,752 S * 6/2010 Adams D9/527
D656,401 S * 3/2012 Hickey D9/527

D670,355 S * 11/2012 Zimmerman D23/211.2
D684,062 S * 6/2013 Schneider D9/528
D684,471 S * 6/2013 Schneider D9/528
D692,092 S * 10/2013 Pritchard D23/202
D693,426 S * 11/2013 Mehra D23/211.1
D697,540 S * 1/2014 Nkwantabisa D15/150
(Continued)

FOREIGN PATENT DOCUMENTS

WO WO-2017063002 A2 * 4/2017 B67D 3/02

OTHER PUBLICATIONS

Maxima Extra Engine Oil, posted on revzilla.com, earliest review posted May 19, 2014, no production date given, [online], [site visited Oct. 27, 2017], Available from Internet, URL: <https://www.revzilla.com/product/maxima-extra-engine-oil> (Year: 2014).*
(Continued)

Primary Examiner — Melanie H Tung
Assistant Examiner — Fritzgerald L Butac
(74) *Attorney, Agent, or Firm* — Francis Law Firm
PLLC; James M. Francis

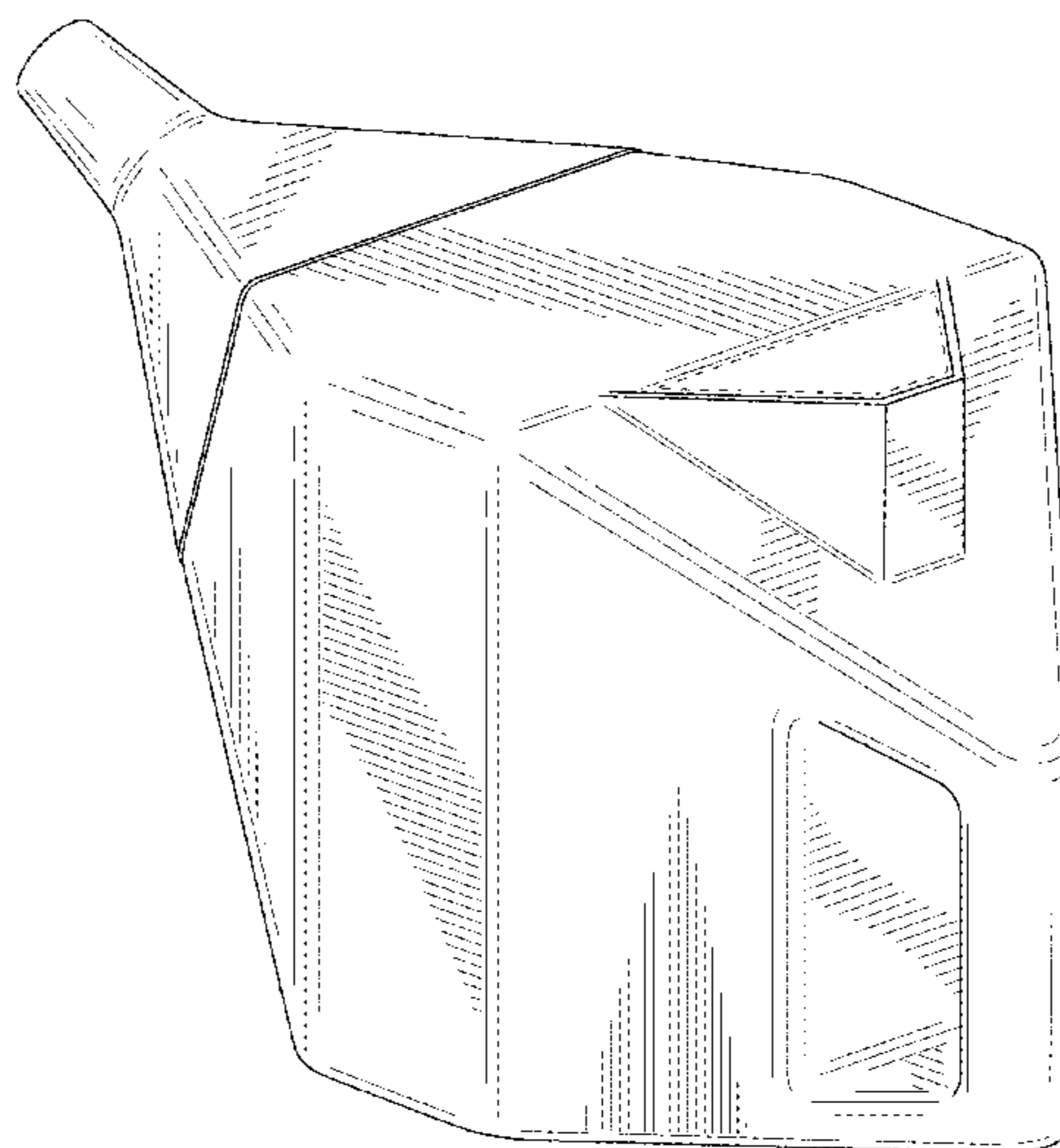
(57) **CLAIM**

We claim the ornamental design for a lubricant dispenser, as shown and described.

DESCRIPTION

FIG. 1 is a right side posterior perspective view of a lubricant dispenser.
FIG. 2 is a left side view a lubricant dispenser.
FIG. 3 is a right view a lubricant dispenser.
FIG. 4 is a posterior view of a lubricant dispenser.
FIG. 5 is an anterior view of a lubricant dispenser.
FIG. 6 is a top view of a lubricant dispenser; and,
FIG. 7 is a bottom view of a lubricant dispenser.
The broken lines show portions of the lubricant dispenser that form no part of the claimed design.

1 Claim, 7 Drawing Sheets



(56)

References Cited

U.S. PATENT DOCUMENTS

D711,490 S * 8/2014 Hahin D22/108
D724,949 S * 3/2015 Conway D9/527
D732,393 S * 6/2015 Senus D9/528
D734,794 S * 7/2015 Doran D15/150
9,284,175 B2 * 3/2016 Levy B67C 11/02
D760,869 S * 7/2016 Sanders D23/211.1
D761,110 S * 7/2016 Hart D9/524
D761,111 S * 7/2016 Hart D9/520
D762,255 S * 7/2016 Levy D15/150
D764,022 S * 8/2016 Lai D23/211.2
D767,090 S * 9/2016 Zimak D23/211.2
D778,970 S * 2/2017 Levy D15/150
9,586,723 B1 * 3/2017 Touw B65D 25/2826
D790,352 S * 6/2017 Staab D9/574
D792,772 S * 7/2017 DiBiasio D9/516
D799,972 S * 10/2017 Jost D9/528
D800,565 S * 10/2017 Bonaventura D23/225

OTHER PUBLICATIONS

Oil Measuring Can, posted on lubeq.com, no posted date given, no production date given, [online], [site visited Oct. 27, 2017], Available from Internet, URL: <http://www.lubeq.com/products/07380> (Year: 2017).*

Plastic Oil Can, posted on indiamart.com, no posted date given, no production date given, [online], [site visited Oct. 27, 2017], Available from Internet, URL: <https://www.indiamart.com/sayaloverseas/plastic-oil-can.html> (Year: 2017).*

Can with car engine oil, posted on colourbox.com, published Jul. 4, 2011, no production date given, [online], [site visited Oct. 27, 2017], Available from Internet, URL: <https://www.colourbox.com/image/can-with-car-engine-oil-isolated-on-white-image-2029062> (Year: 2011).*

* cited by examiner

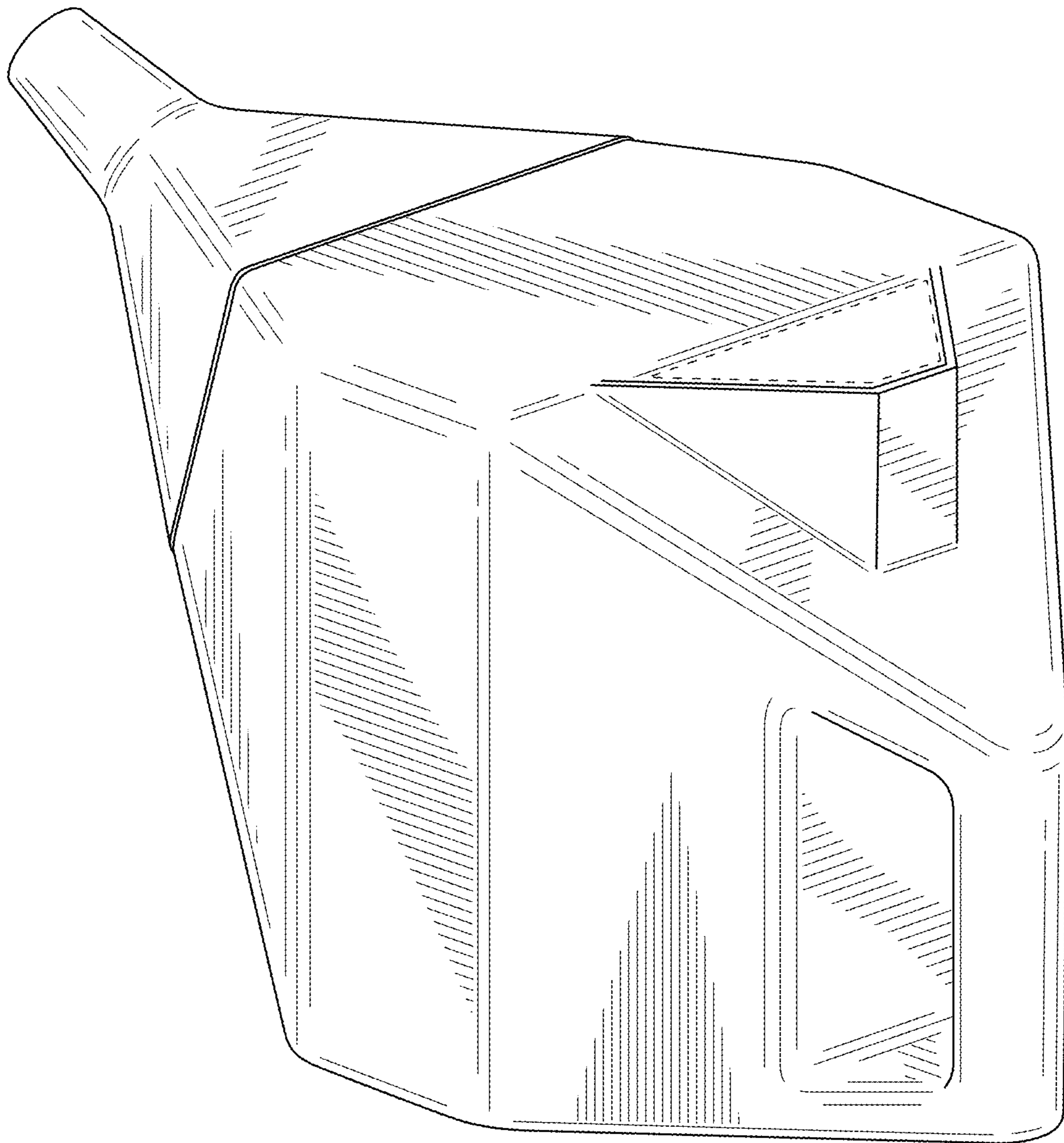


FIG. 1

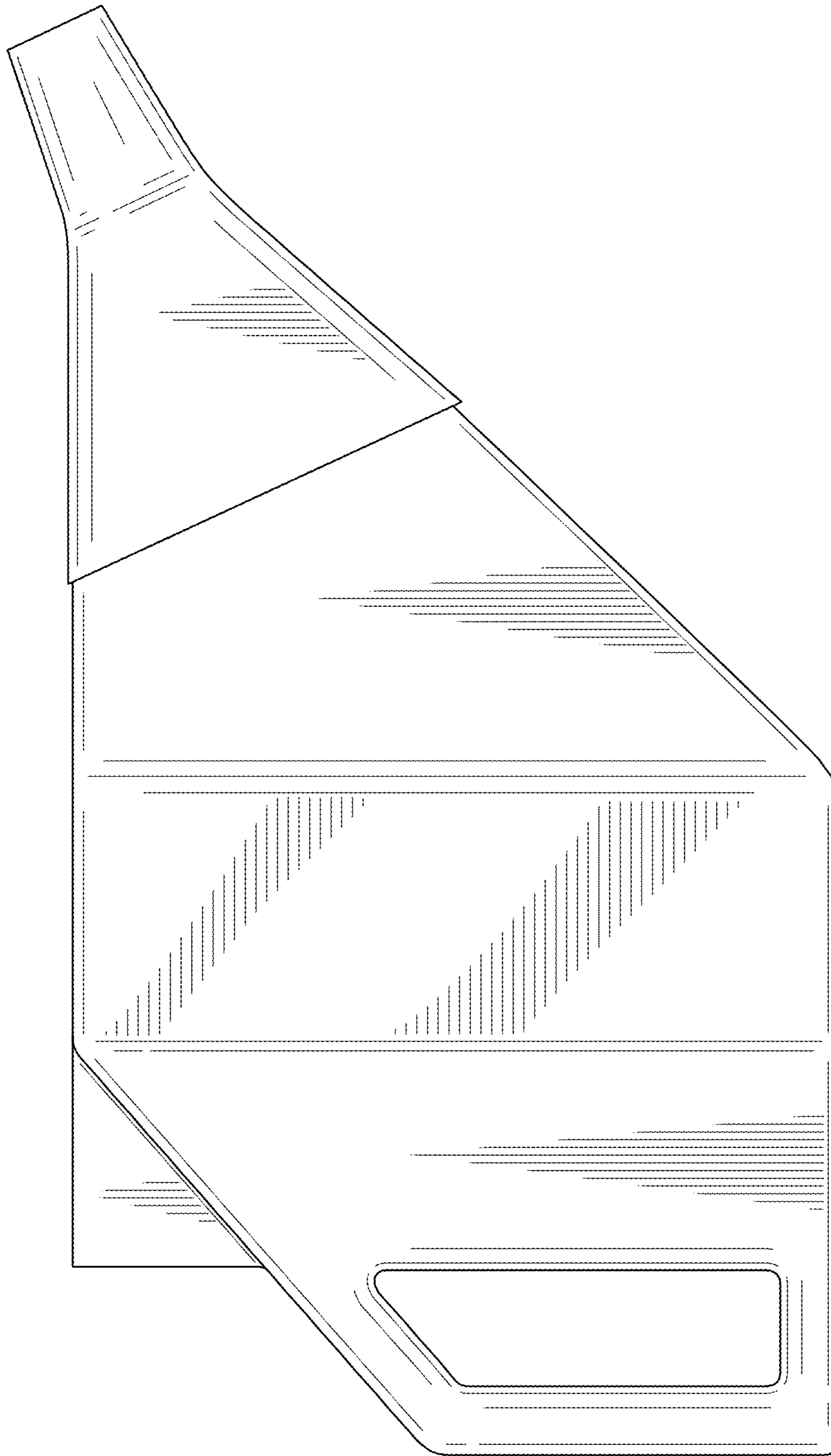


FIG. 2

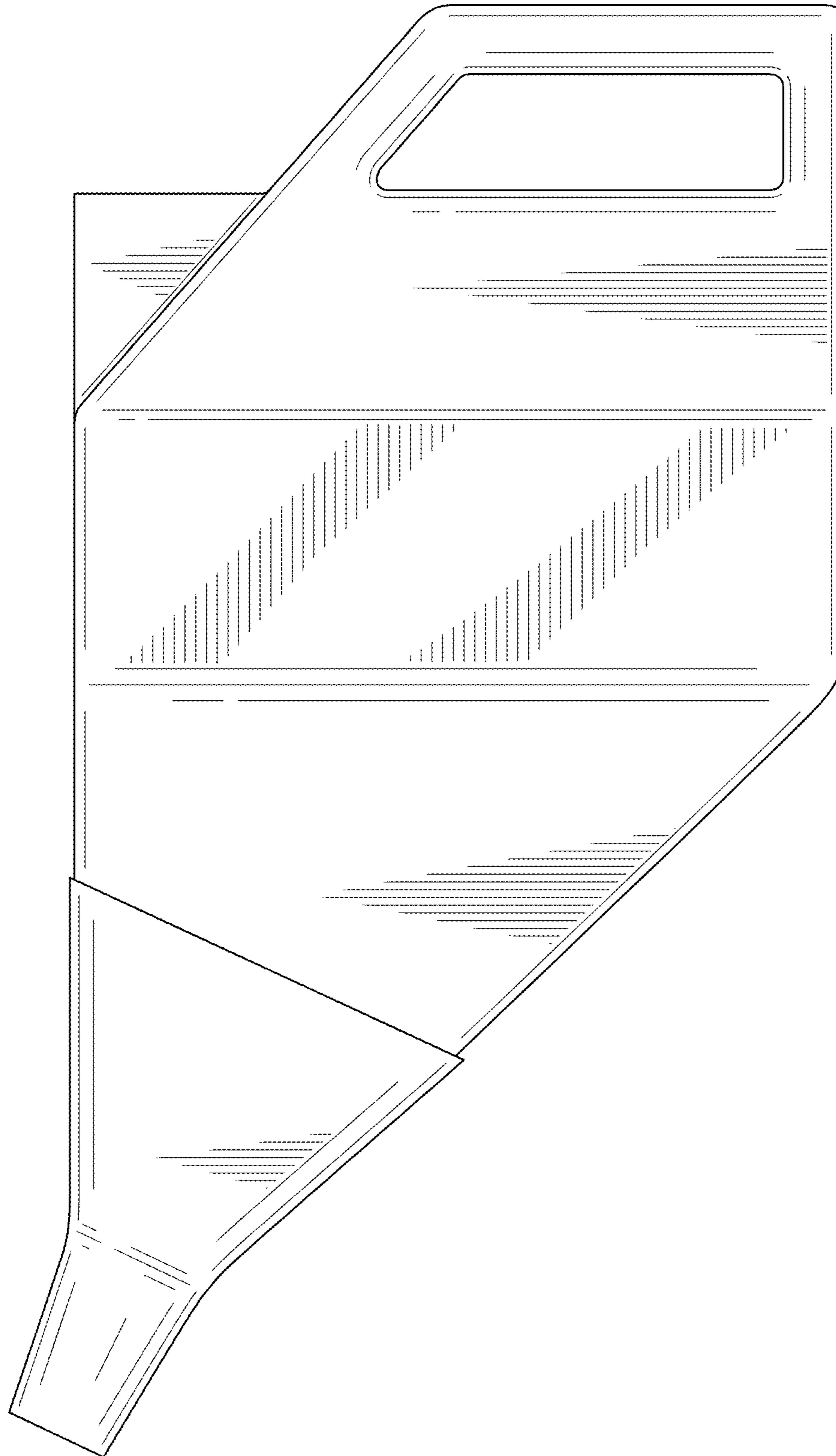


FIG. 3

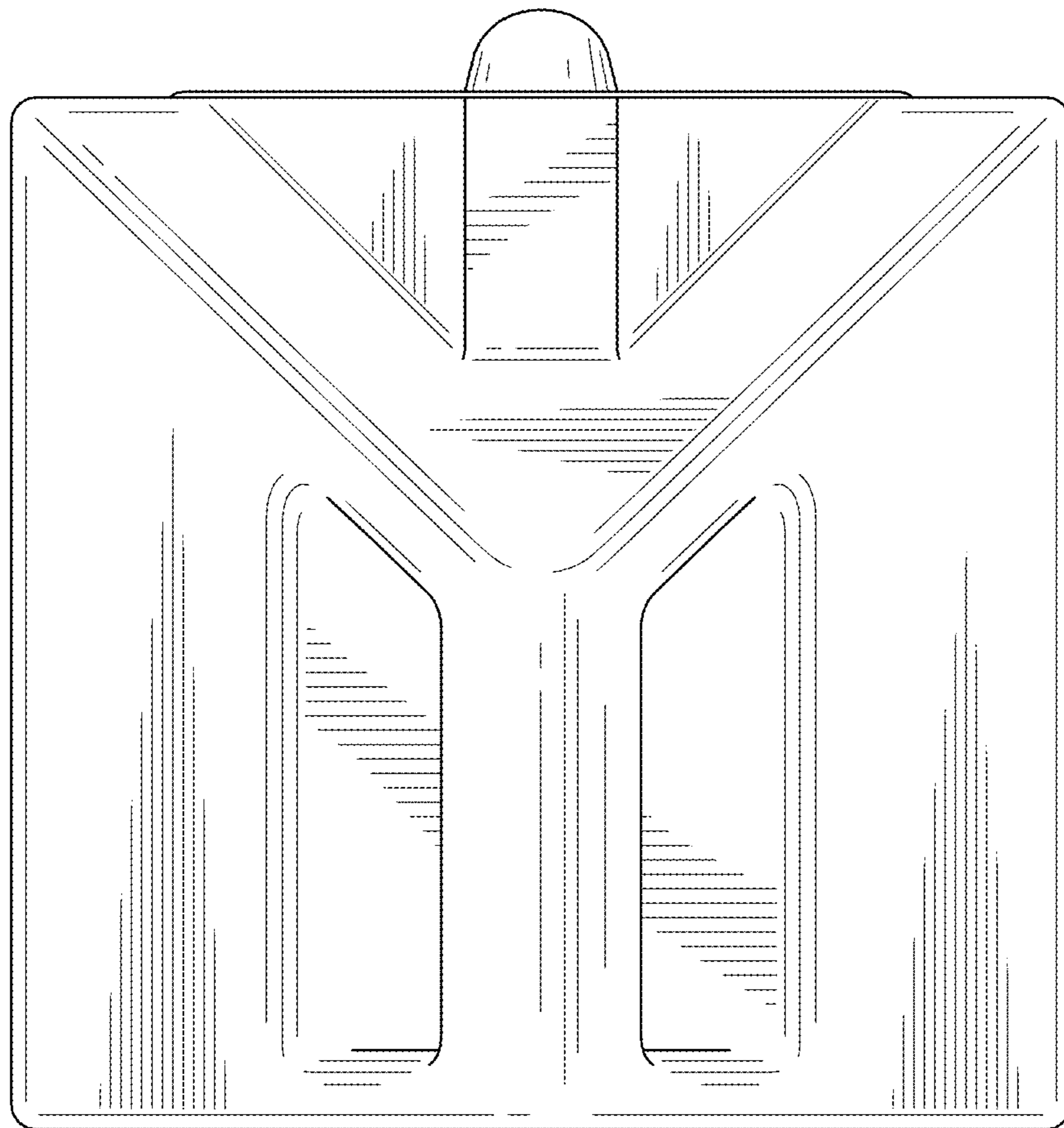


FIG. 4

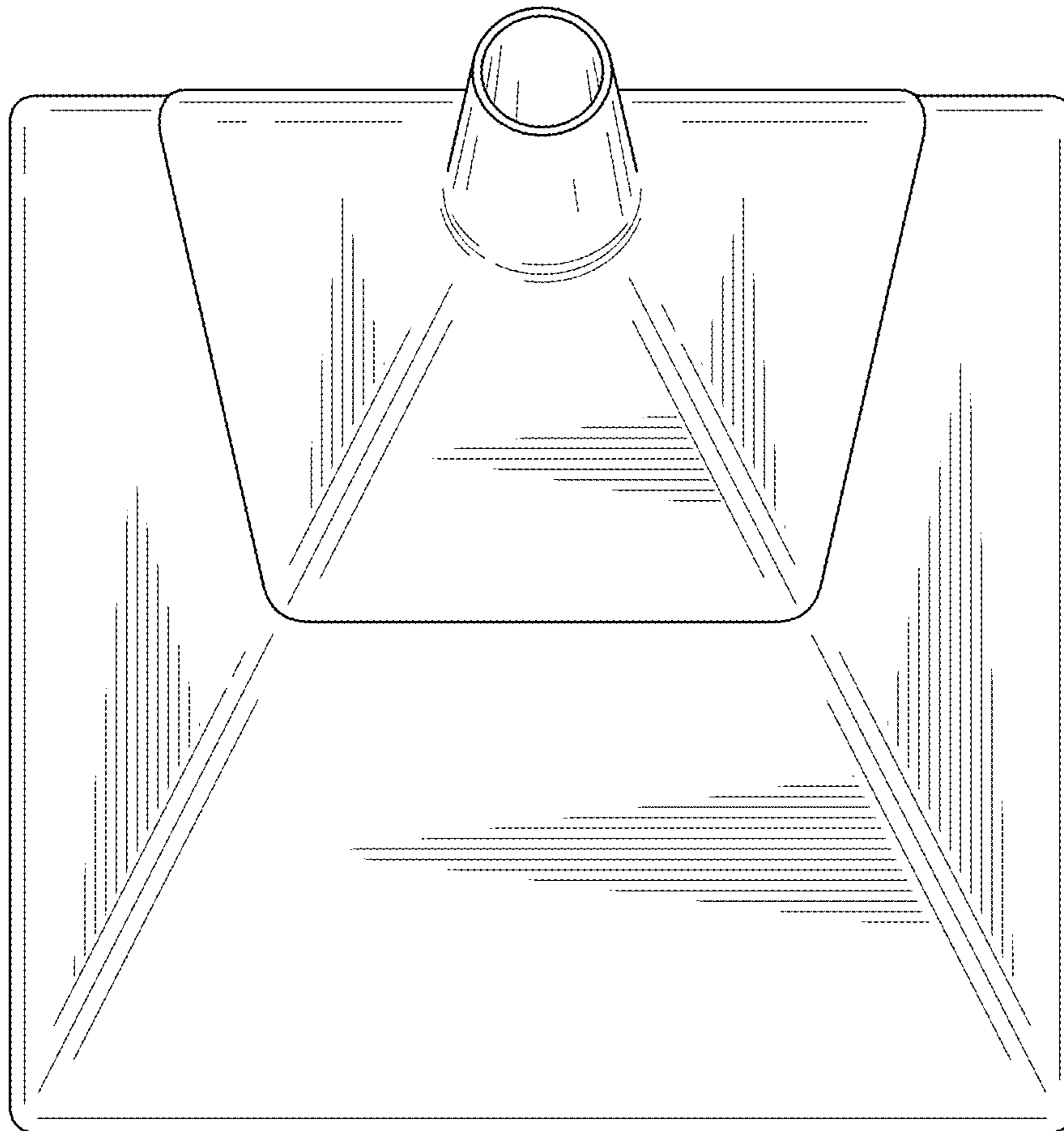


FIG. 5

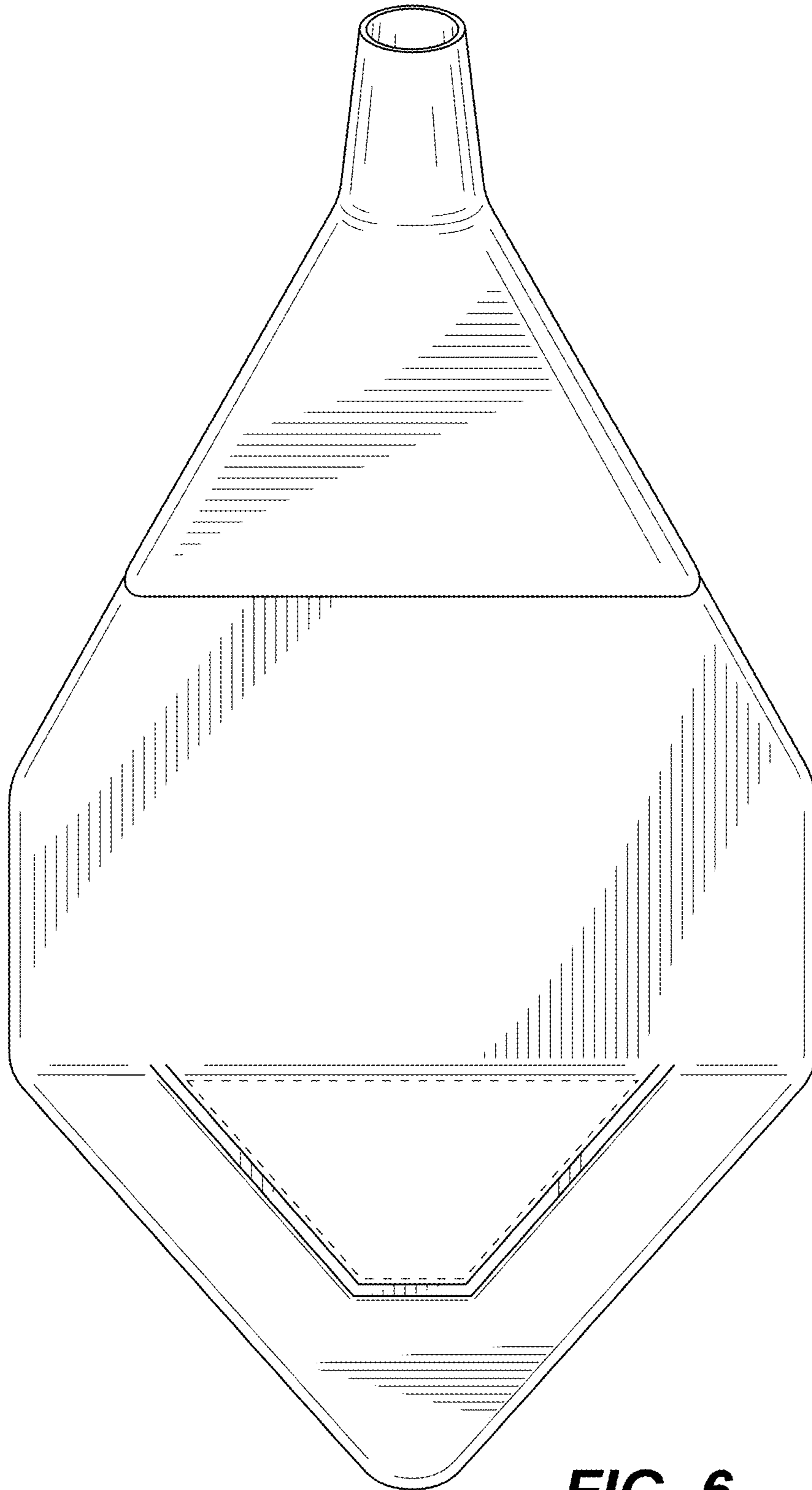


FIG. 6

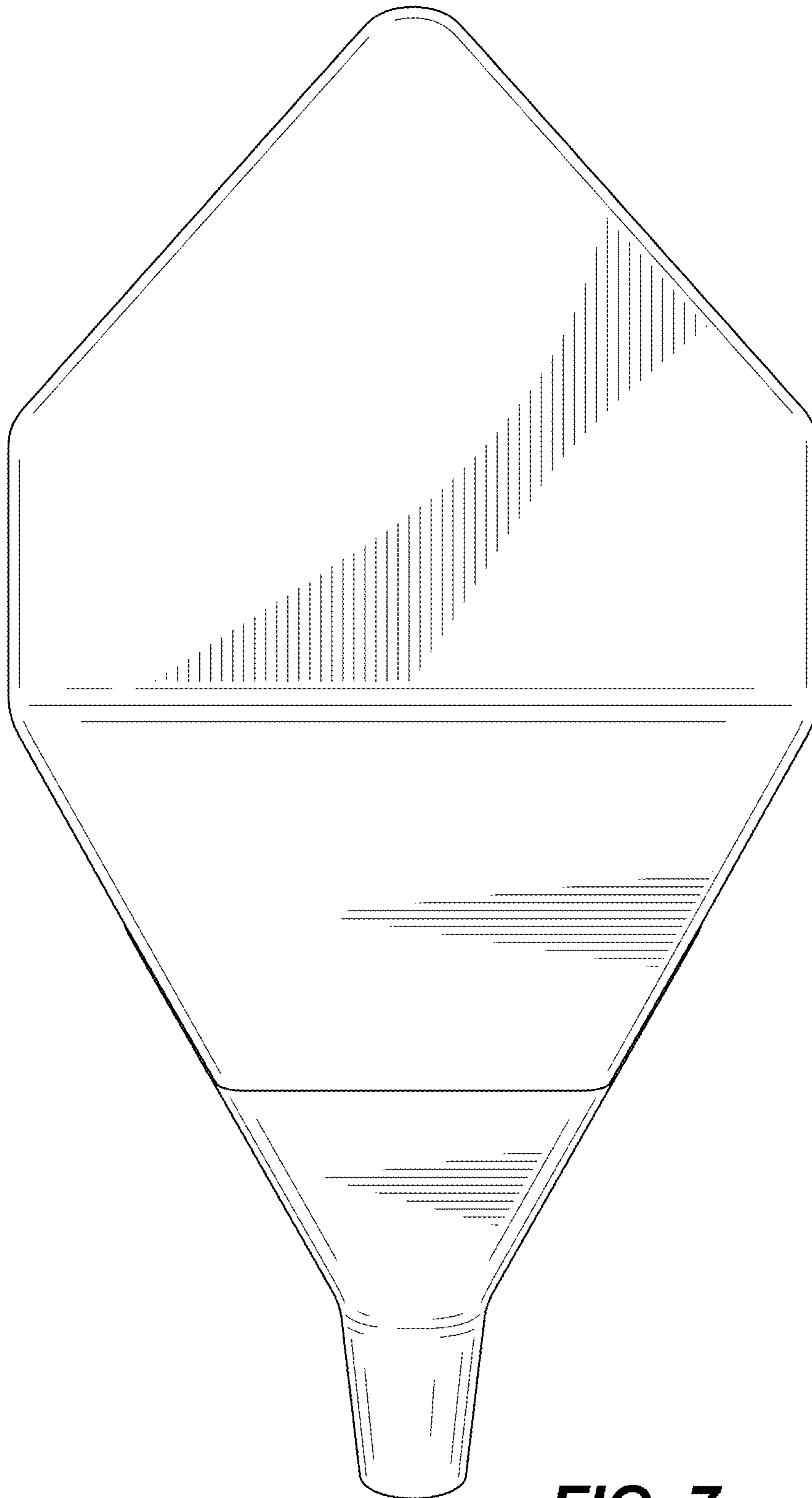


FIG. 7