



US00D809090S

(12) **United States Design Patent** (10) **Patent No.:** **US D809,090 S**
Aguiar et al. (45) **Date of Patent:** **** Jan. 30, 2018**

(54) **PORTABLE HIGH PRESSURE CYLINDER JACKET**

D692,981 S * 11/2013 Fowler D23/206
D720,425 S * 12/2014 Caldwell D23/206
D746,942 S * 1/2016 Koppert D23/202
D747,438 S * 1/2016 Sanchez D23/206
2013/0277376 A1 10/2013 Liebenberg et al.

(71) Applicant: **AMTROL Licensing Inc.**, West Warwick, RI (US)

* cited by examiner

(72) Inventors: **Carlos Aguiar**, Porto (PT); **Carla Aguiar**, V.n.gaia (PT)

Primary Examiner — Robin V Webster

(73) Assignee: **AMTROL Licensing Inc.**, West Warwick, RI (US)

(74) *Attorney, Agent, or Firm* — Locke Lord LLP; Scott D. Wofsy

(**) Term: **15 Years**

(57) **CLAIM**

The ornamental design for a portable high pressure cylinder jacket, as shown and described.

(21) Appl. No.: **29/578,118**

DESCRIPTION

(22) Filed: **Sep. 19, 2016**

(51) **LOC (11) Cl.** **23-01**

(52) **U.S. Cl.**
USPC **D23/206**

(58) **Field of Classification Search**
USPC D23/206, 202, 205; 150/154; 220/581, 220/586, 589, 630

CPC F17C 1/00; F17C 1/02
See application file for complete search history.

FIG. 1 is a perspective view of the portable high pressure cylinder jacket in an upright position;
FIG. 2 is a perspective view of the portable high pressure cylinder jacket in an inverted position;
FIG. 3 is front elevational view of the portable high pressure cylinder jacket;
FIG. 4 is rear elevational view of the portable high pressure cylinder jacket;
FIG. 5 is a left side elevational view of the portable high pressure cylinder jacket;
FIG. 6 is a right side elevational view of the portable high pressure cylinder jacket;
FIG. 7 is a top plan view of the portable high pressure cylinder jacket; and,
FIG. 8 is a bottom plan view of the portable high pressure cylinder jacket.

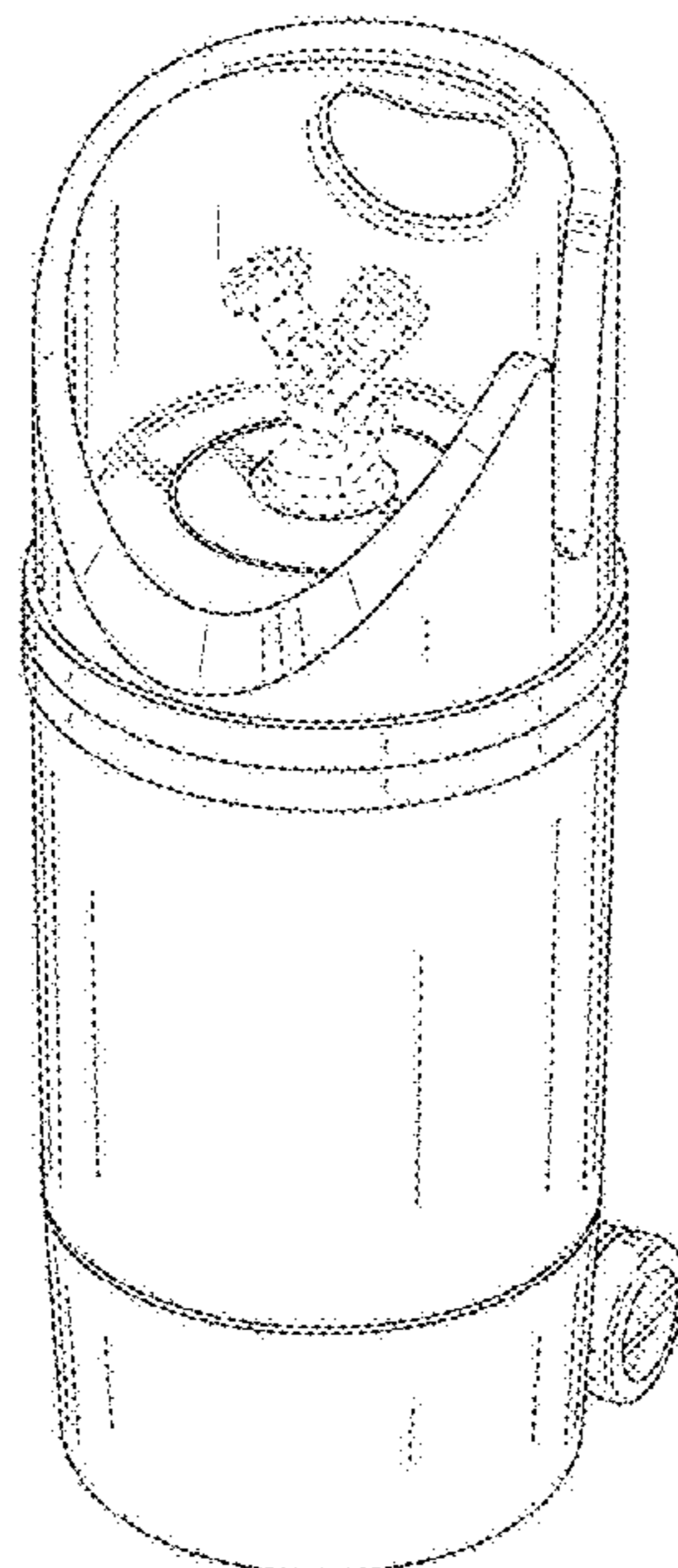
The structural features depicted in broken lines have been shown for purposes of illustrating portions of the portable high pressure cylinder jacket that form no part of the claimed design.

(56) **References Cited**

U.S. PATENT DOCUMENTS

6,012,411 A * 1/2000 Hochbrueckner F17C 13/002
116/200
7,255,245 B2 * 8/2007 Oliveira F17C 1/04
220/586
7,316,435 B2 * 1/2008 Leighton A45C 11/00
150/154
D566,807 S 4/2008 Oliveira et al.
D576,702 S 9/2008 Aguiar et al.
D647,997 S * 11/2011 Squires D23/206

1 Claim, 8 Drawing Sheets



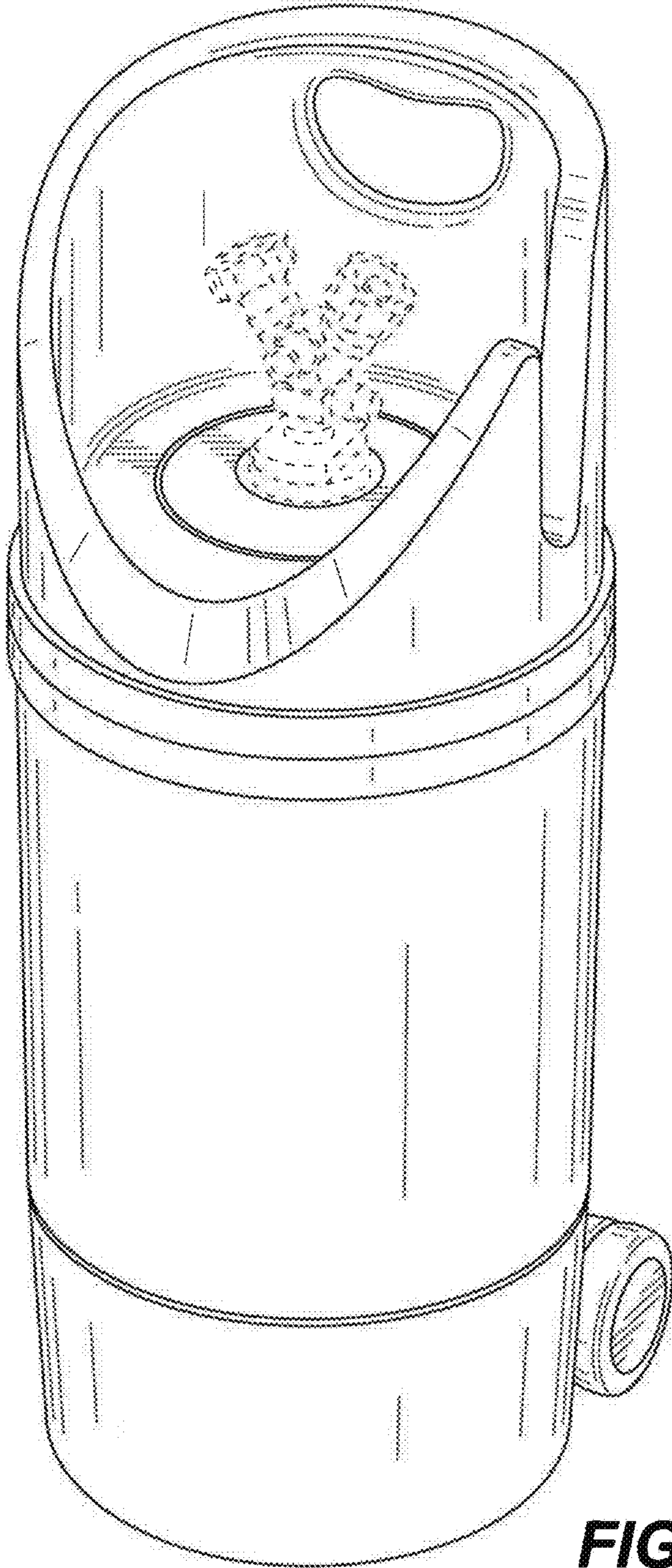


FIG. 1

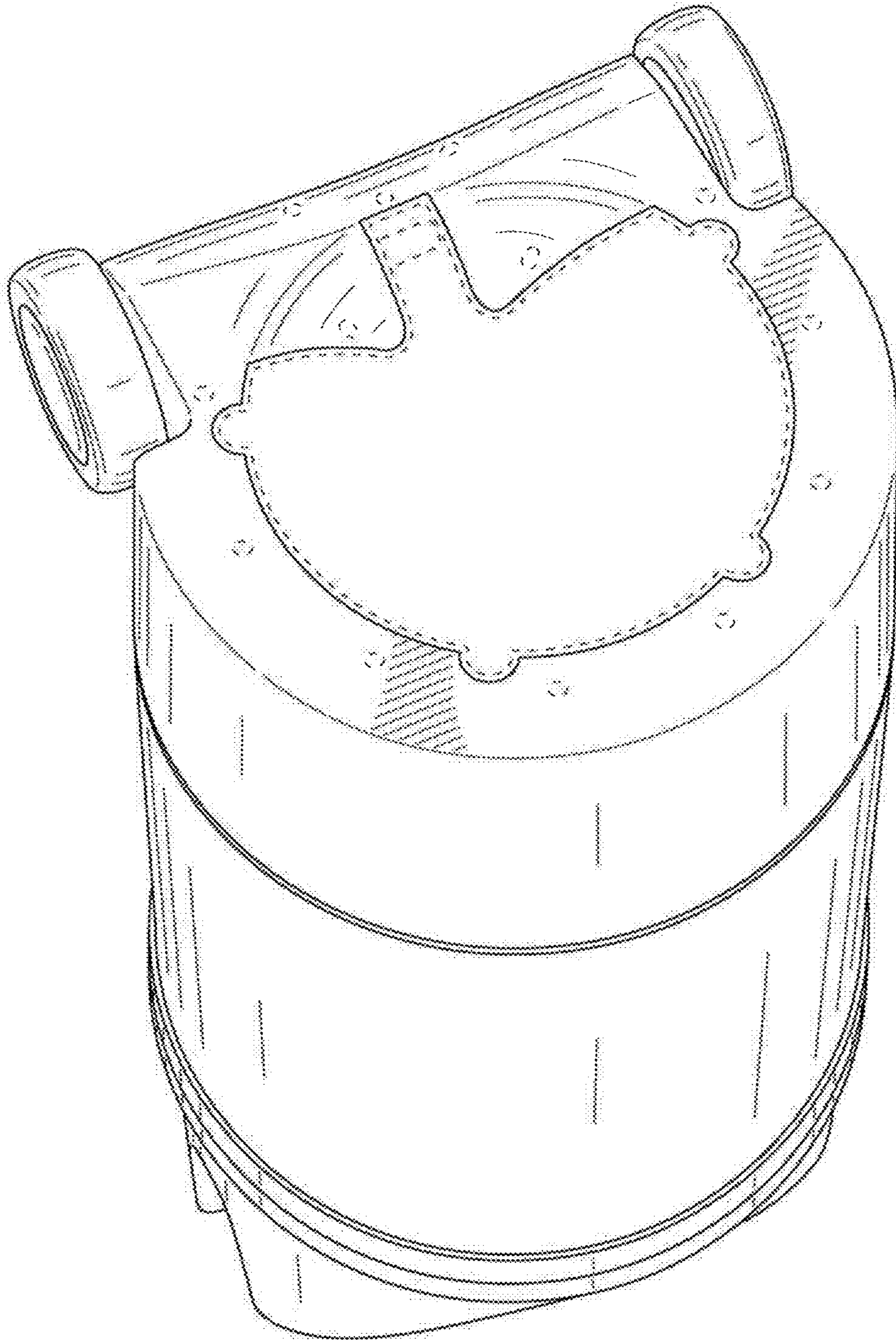


FIG. 2

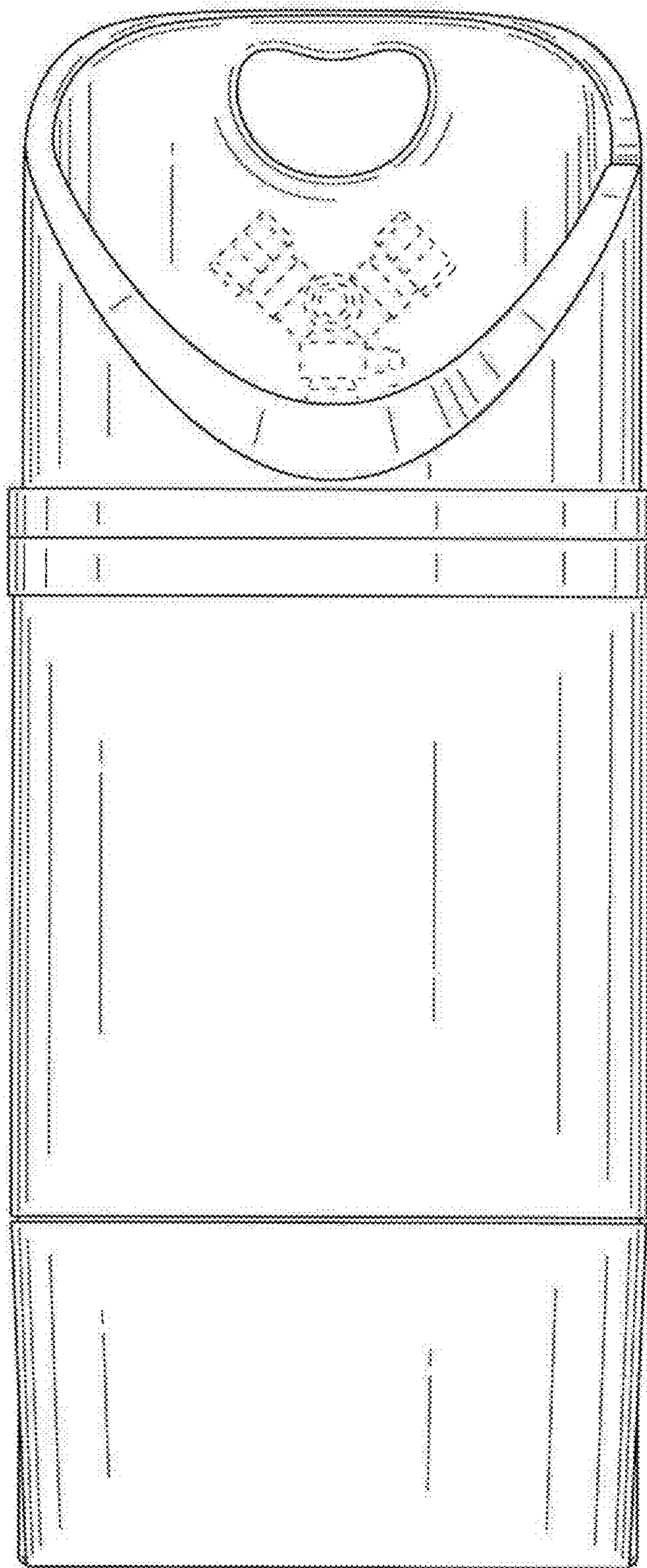


FIG. 3

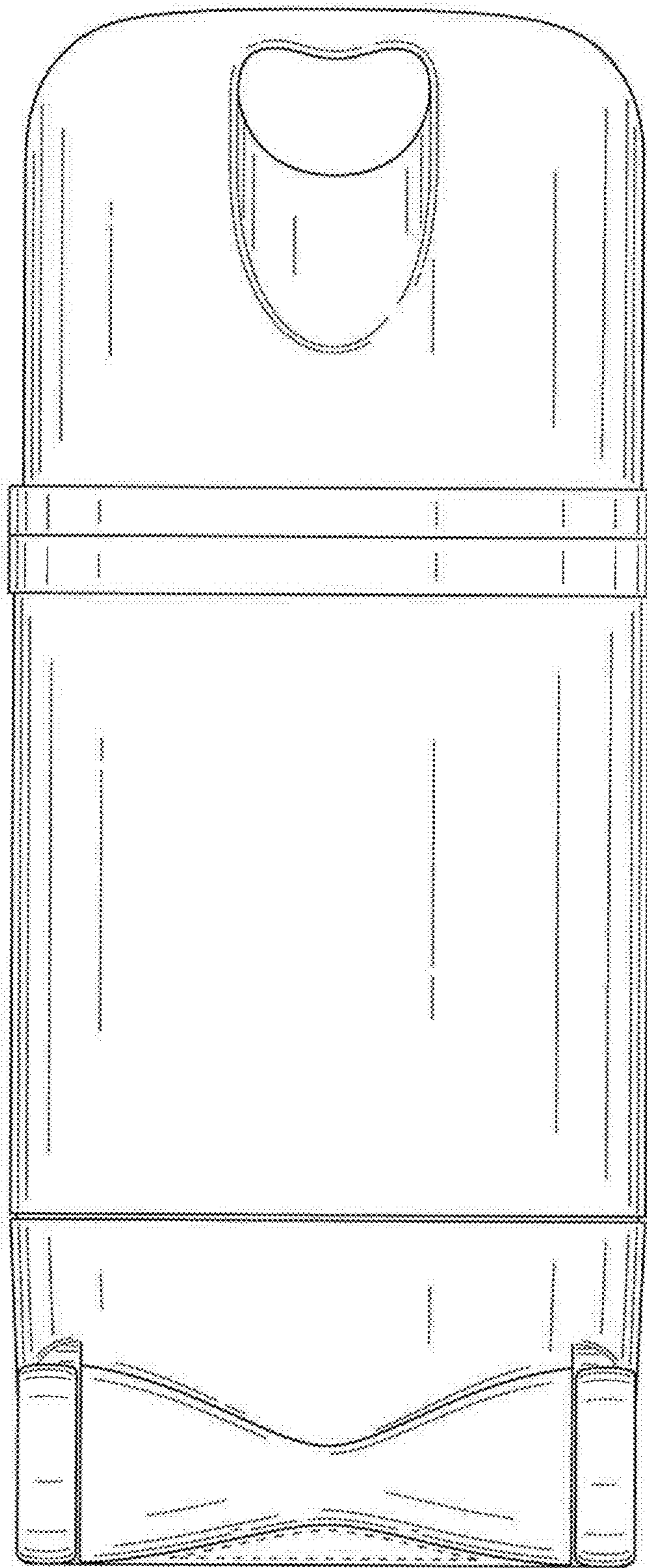


FIG. 4

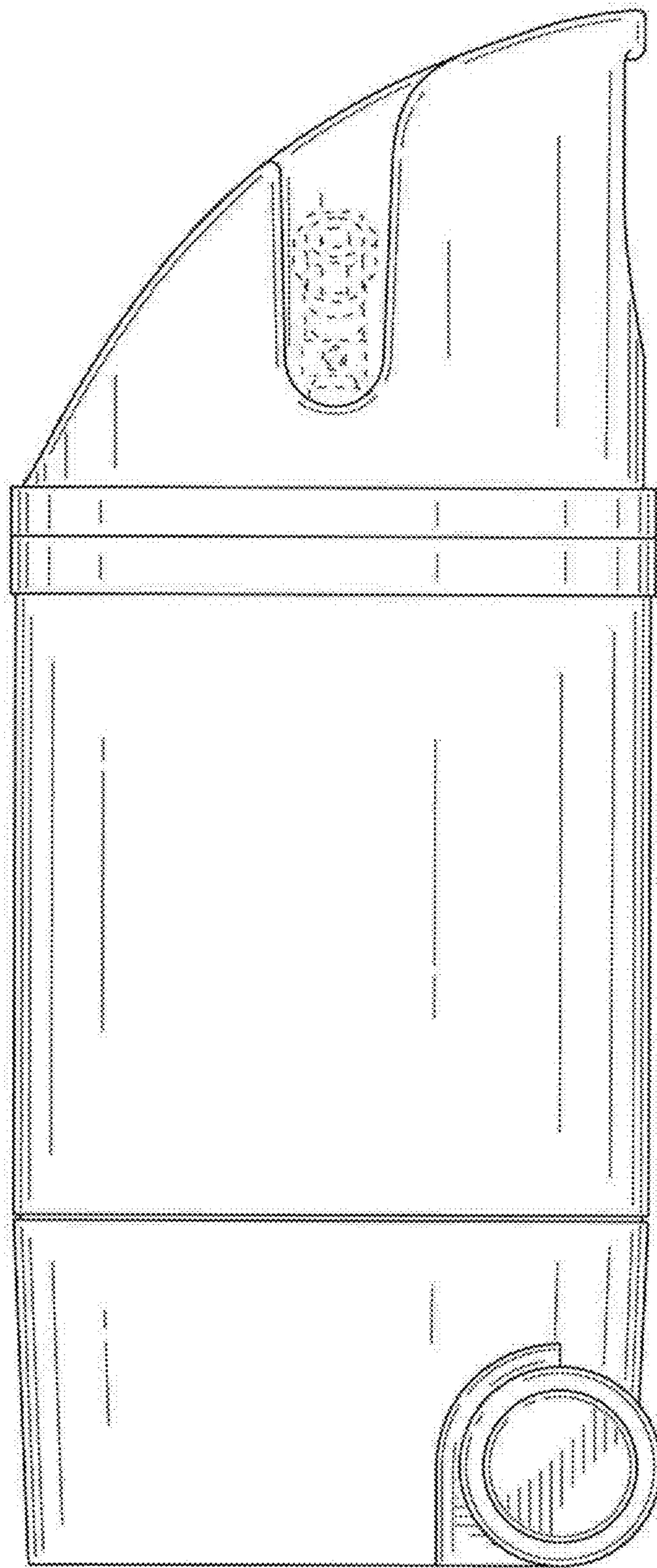


FIG. 5

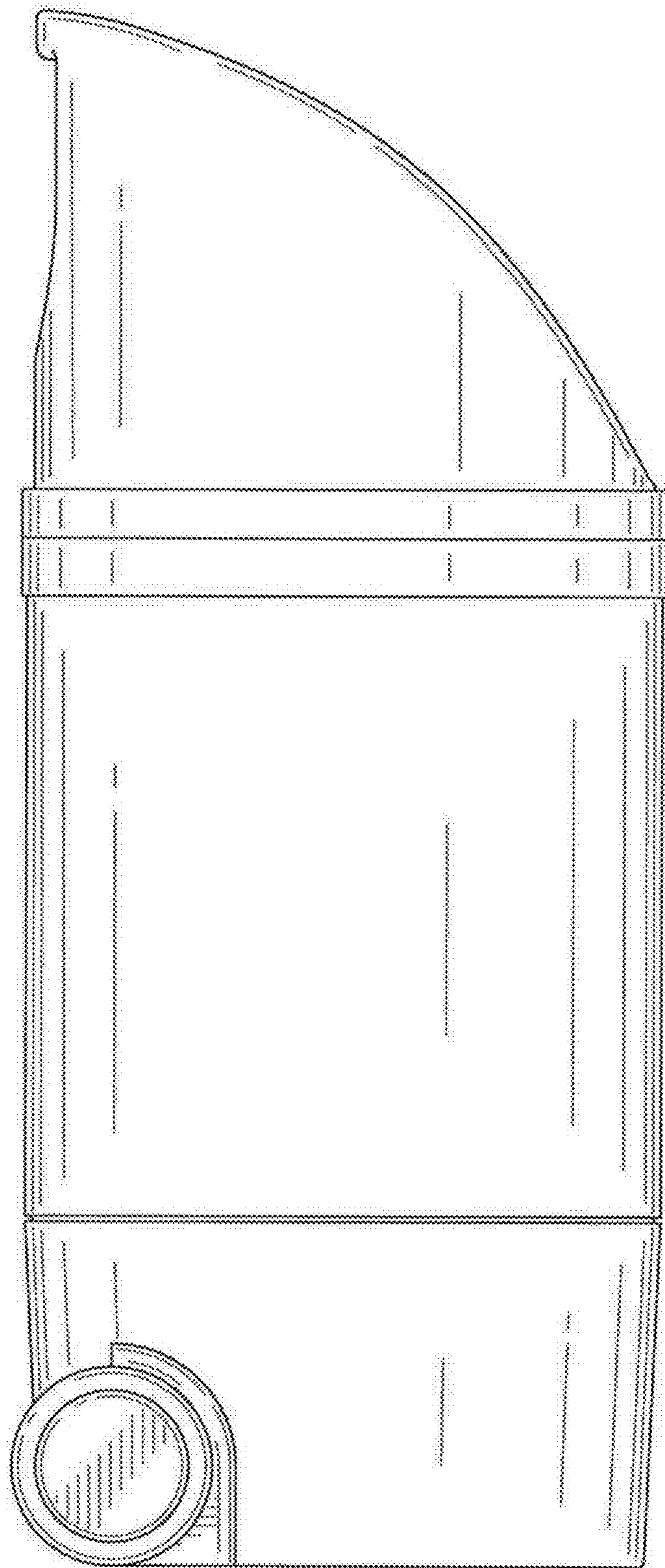


FIG. 6

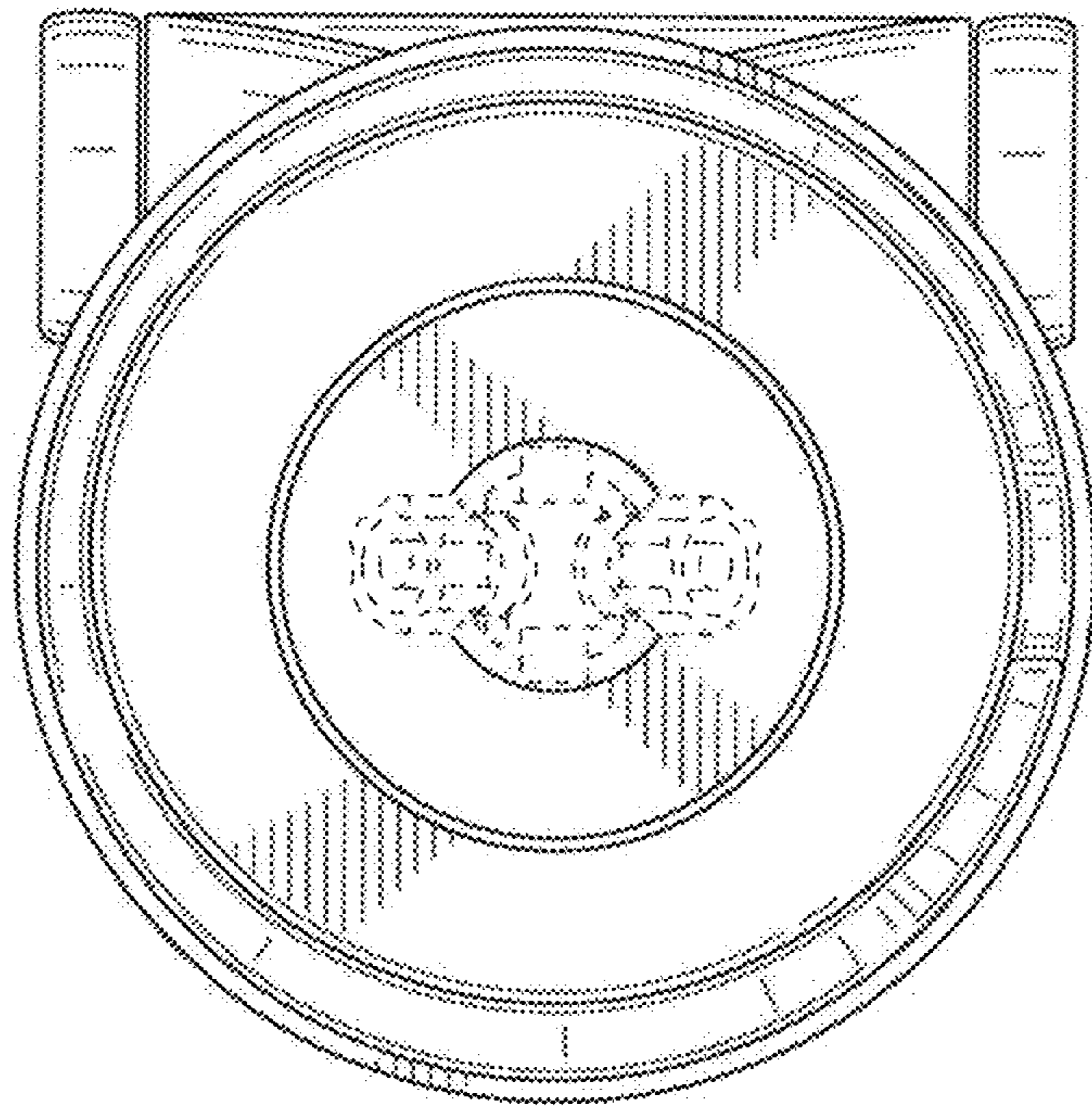


FIG. 7

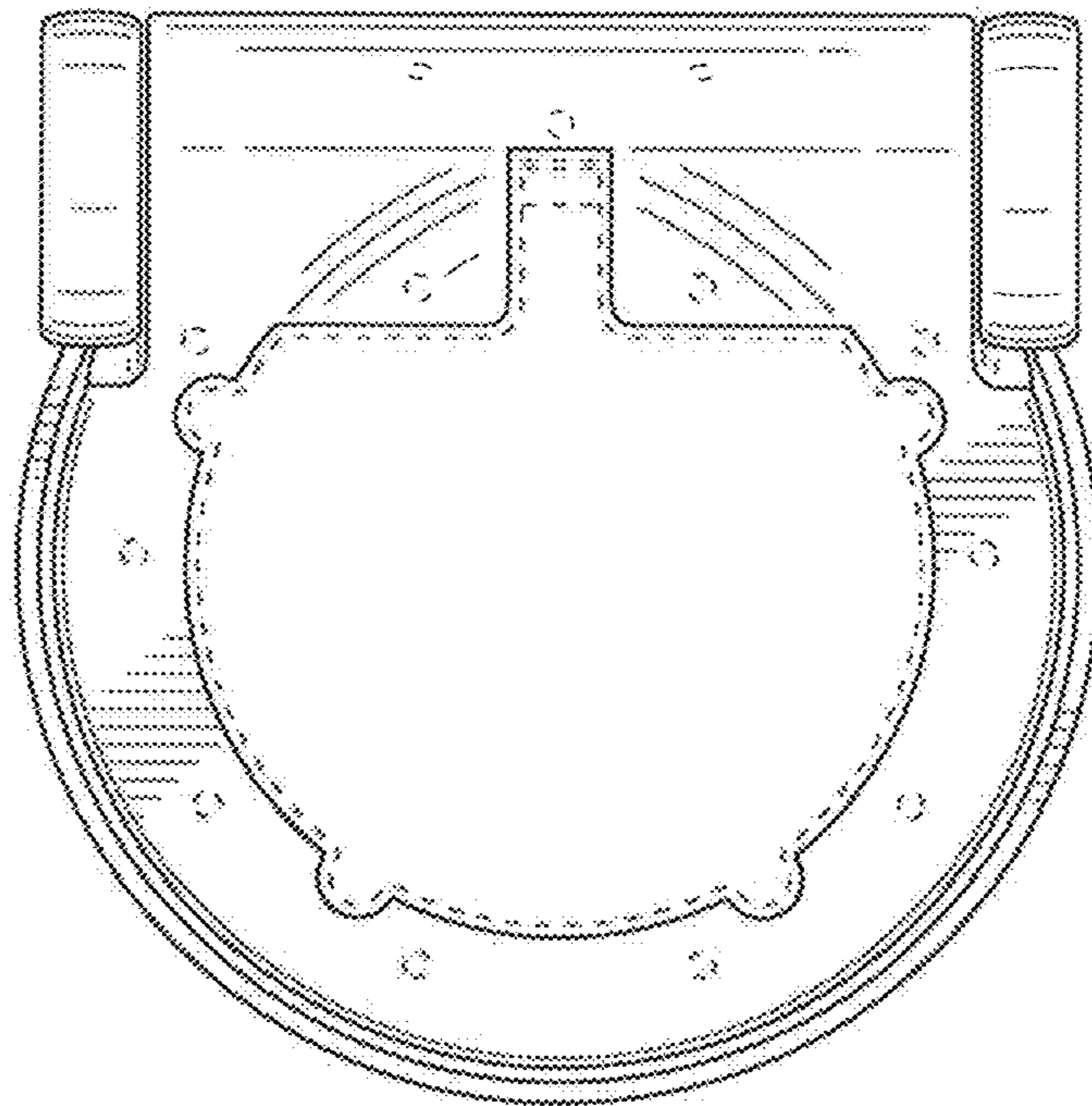


FIG. 8