



US00D809084S

(12) **United States Design Patent**
Geissele

(10) **Patent No.:** **US D809,084 S**
(45) **Date of Patent:** **** Jan. 30, 2018**

- (54) **FIREARM HANDGUARD**
- (71) Applicant: **WHG Properties, LLC**, North Wales, PA (US)
- (72) Inventor: **William H. Geissele**, Lower Gwynedd, PA (US)
- (73) Assignee: **WHG Properties, LLC**, North Wales, PA (US)
- (**) Term: **15 Years**
- (21) Appl. No.: **29/586,715**
- (22) Filed: **Dec. 6, 2016**
- (51) **LOC (11) Cl.** **22-01**
- (52) **U.S. Cl.**
USPC **D22/108**
- (58) **Field of Classification Search**
USPC D22/103, 108; D21/572-575; D14/418;
42/71.01, 75.01, 75.02, 90, 94, 134, 136,
42/139, 125, 72, 111; 89/40.06, 41.19,
89/37.04, 33.04, 191.01, 200-204;
124/66, 67, 72, 74
CPC F41C 23/00; F41C 27/00; F41C 27/06;
F41C 23/10; F41C 23/14; F41C 23/16;
F41C 23/18
See application file for complete search history.

- D747,428 S * 1/2016 Chen D22/108
 - D752,171 S * 3/2016 Chen D22/108
 - D754,274 S * 4/2016 Geissele D22/108
 - 9,389,043 B1 * 7/2016 Zhang F41C 23/16
- (Continued)

OTHER PUBLICATIONS

Ergonomic Modular Rail V0-E, ALGdefense.com, [online], [site visited Oct. 17, 2017]. <URL: <https://algdefense.com/ergonomic-modular-rail-v0-e.html>> (Year: 2017).*

(Continued)

Primary Examiner — T. Chase Nelson
Assistant Examiner — Jonathan J. Han
(74) *Attorney, Agent, or Firm* — Merchant & Gould, P.C.

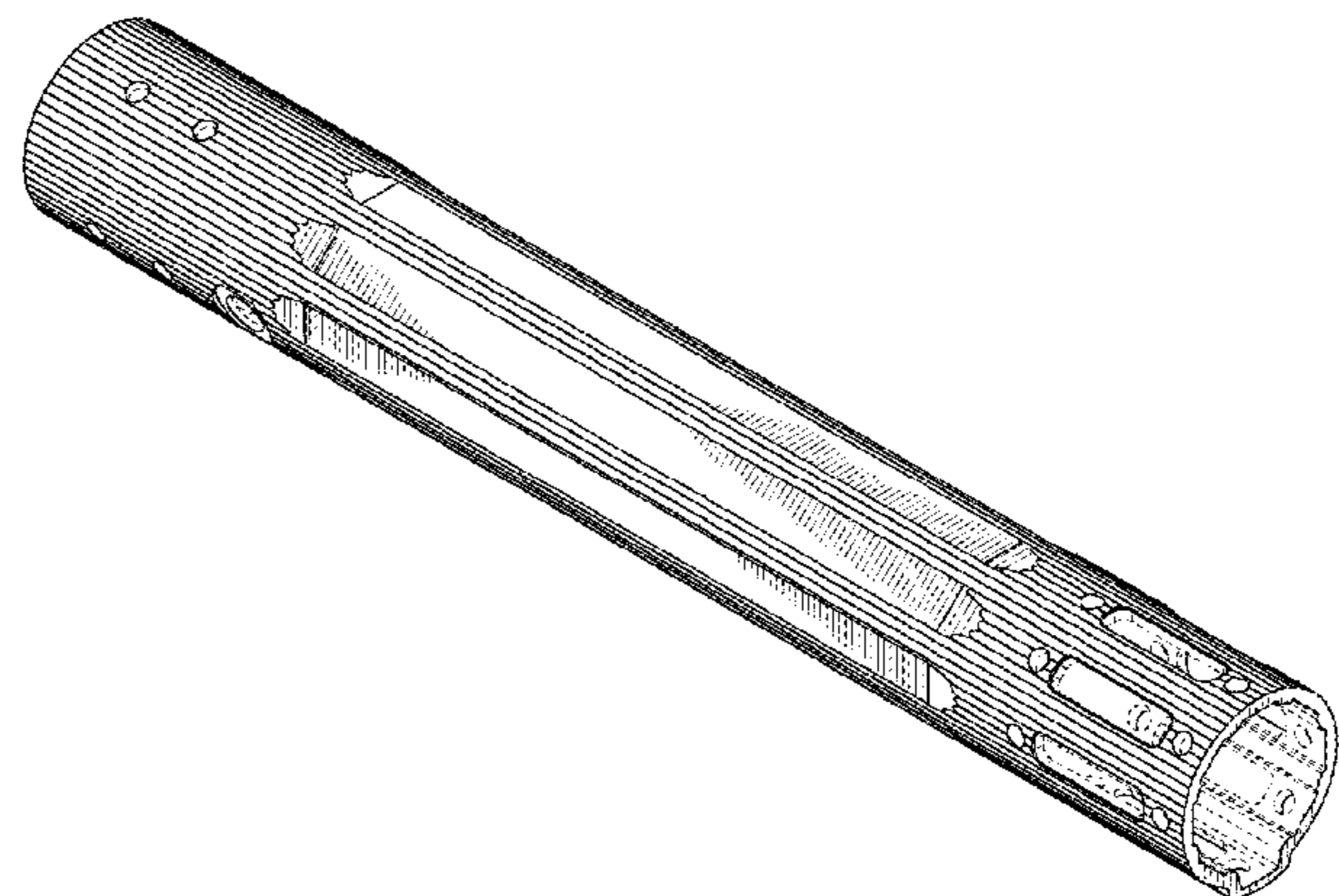
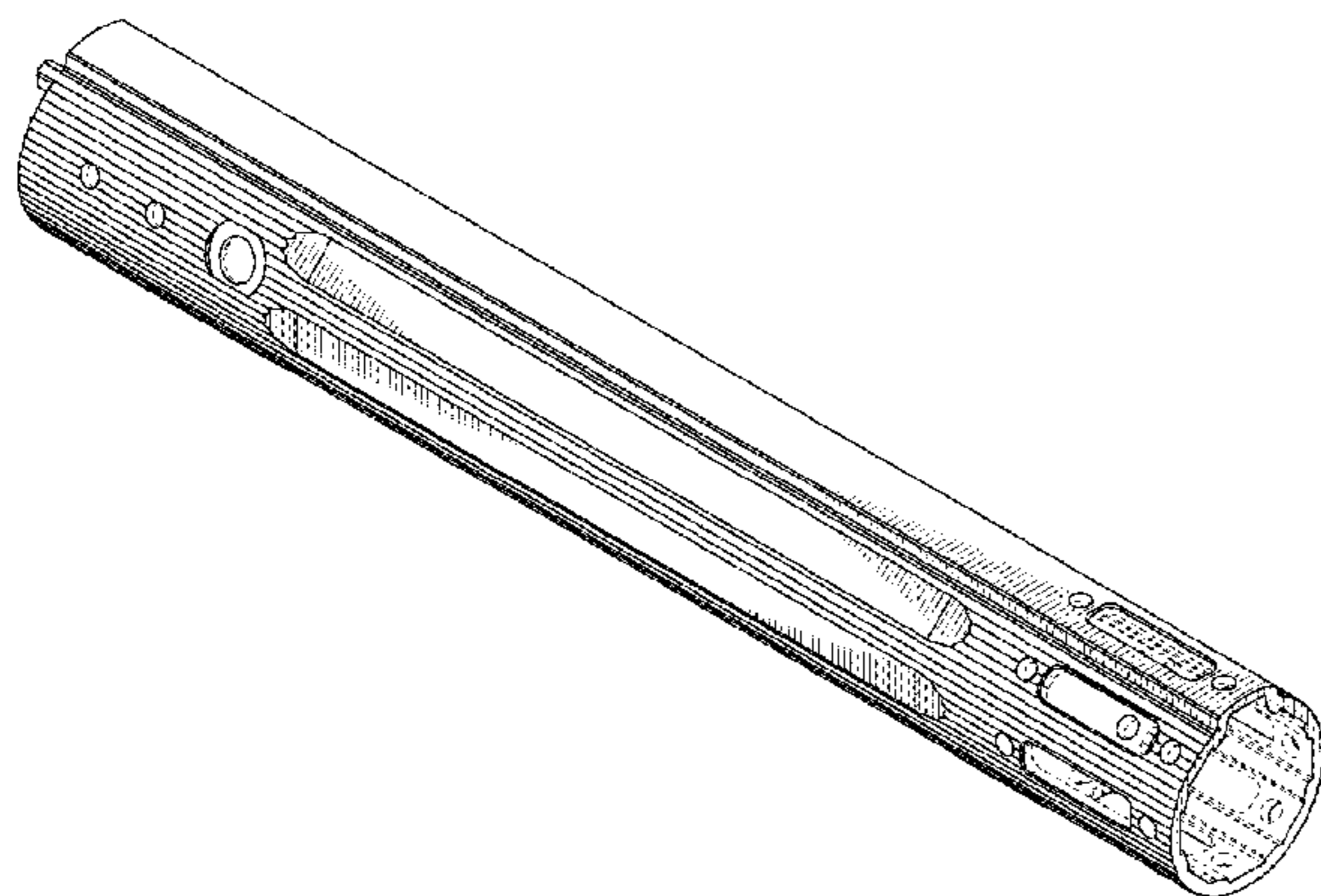
(57) **CLAIM**

The ornamental design for a firearm handguard, as shown and described.

DESCRIPTION

FIG. 1 is a top, front, left side perspective view of a firearm handguard according to the present disclosure; FIG. 2 is a right side view of the firearm handguard of FIG. 1; FIG. 3 is a left side view of the firearm handguard of FIG. 1; FIG. 4 is a front view of the firearm handguard of FIG. 1; FIG. 5 is a rear view of the firearm handguard of FIG. 1; FIG. 6 is a top view of the firearm handguard of FIG. 1; FIG. 7 is a bottom view of the firearm handguard of FIG. 1; and, FIG. 8 is a bottom, front, right side perspective view of the firearm handguard of FIG. 1. The broken lines in the figures are used to illustrate unclaimed portions of the firearm handguard and form no part of the claimed design.

1 Claim, 5 Drawing Sheets



(56)

References Cited

U.S. PATENT DOCUMENTS

D768,255 S * 10/2016 Geissele D22/108
 D768,800 S * 10/2016 Willits D22/108
 D770,001 S * 10/2016 Nicklos D22/103
 D771,216 S * 11/2016 Dubois D22/108
 9,574,852 B1 * 2/2017 McKillips F41G 11/003
 9,599,430 B1 * 3/2017 Geissele F41C 23/16
 9,631,889 B2 * 4/2017 Geissele B25B 13/04
 D787,003 S * 5/2017 Spector D22/108
 D787,004 S * 5/2017 Spector D22/108
 D790,029 S * 6/2017 Geissele D22/108
 D795,986 S * 8/2017 Frederickson D22/108
 9,784,518 B2 * 10/2017 Geissele F41A 19/46
 9,784,520 B2 * 10/2017 Geissele F41A 21/48
 2012/0186123 A1 * 7/2012 Troy F41C 23/16
 42/71.01
 2012/0291329 A1 * 11/2012 Ubl F41A 11/02
 42/71.01
 2014/0075804 A1 * 3/2014 Langevin F41C 23/16
 42/16
 2014/0130390 A1 * 5/2014 Geissele F41C 23/16
 42/71.01

2014/0373419 A1 * 12/2014 Leclair F41C 23/16
 42/71.01
 2016/0178316 A1 * 6/2016 Miller F41C 23/16
 29/456
 2017/0016695 A1 * 1/2017 Willits F41G 11/003

OTHER PUBLICATIONS

Ergonomic Modular Rail (EMR) V1 M-LOK, ALGdefense.com, [online], [site visited Oct. 17, 2017]. <URL: <https://algdefense.com/ergonomic-modular-rail-v1-m-lok.html>> (Year: 2017).*

ALG Defense updated their cover photo, Facebook.com, ALG Defense, Feb. 14, 2017, [online], [site visited Oct. 17, 2017]. <URL: <https://www.facebook.com/AlgDefense/>> (Year: 2017).*

ALG Defense EMR V0-E, JerkingTheTrigger.com, by Matt on Nov. 21, 2016 in Guns, [online], [site visited Oct. 17, 2017]. <URL: <http://jerkthetrigger.com/2016/11/21/alg-defense-emr-v0-e/>> (Year: 2016).*

AR-15 Quad Rail Handguard—12 inch | Free Float | Black, MonstrumTactical.com, [online], [site visited Oct. 17, 2017]. <URL: <https://monstrumtactical.com/products/ar-15-guad-rail-handguard-12-inch-free-float-black?variant=22019336259>> (Year: 2017).*

* cited by examiner

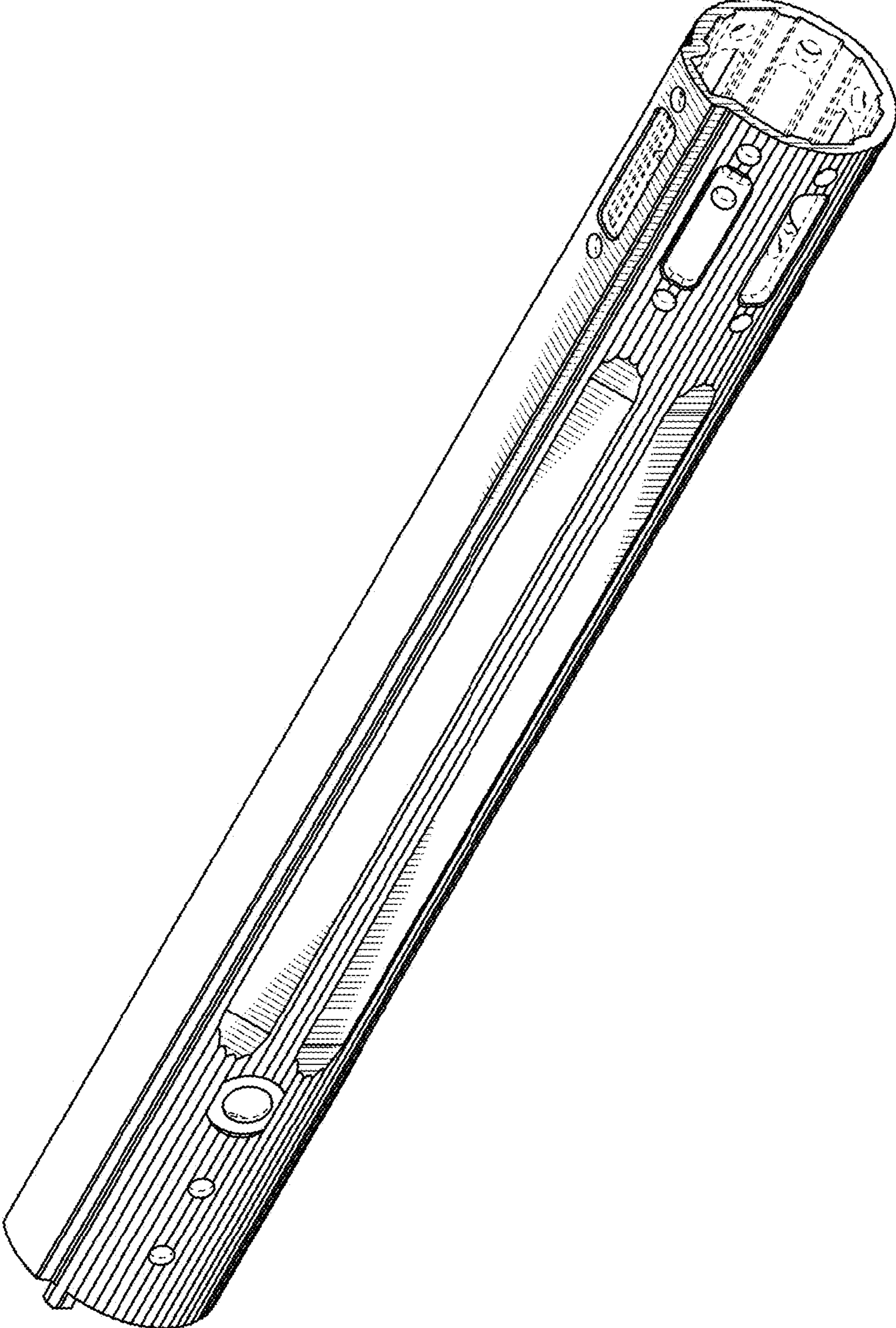


FIG. 1

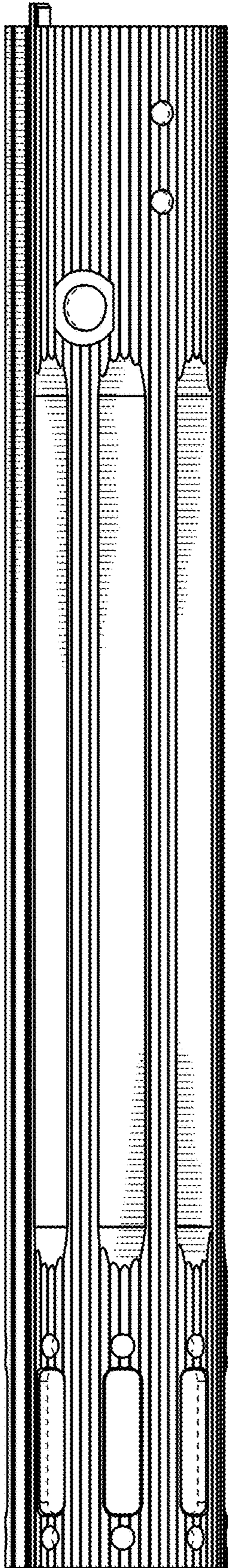


FIG. 2

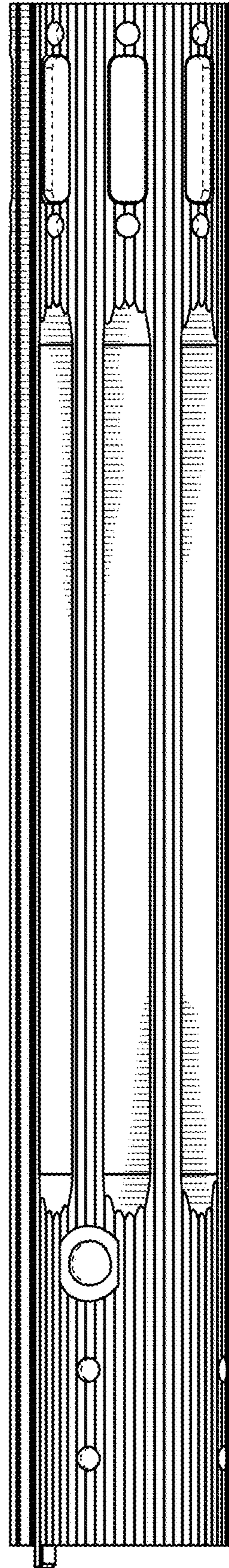


FIG. 3

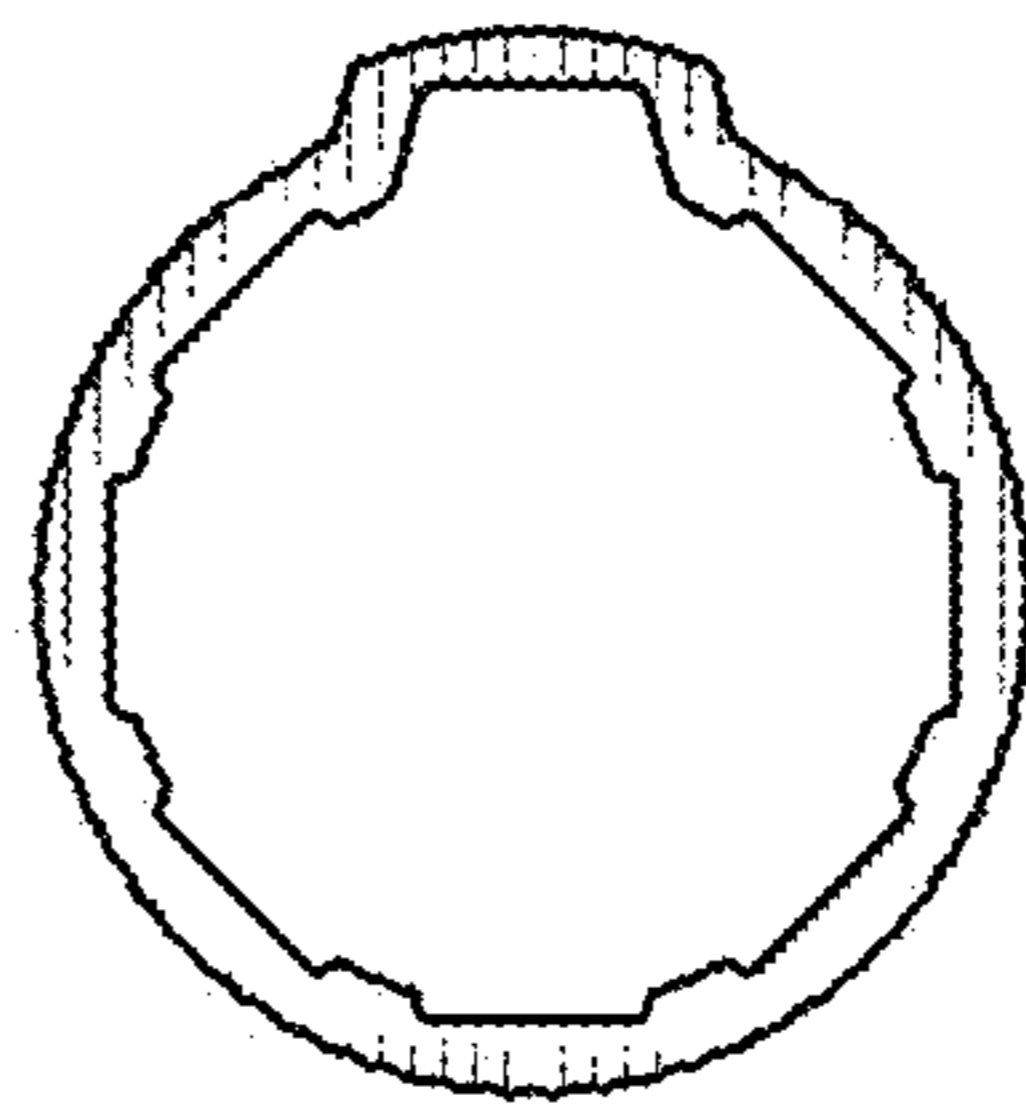


FIG. 4

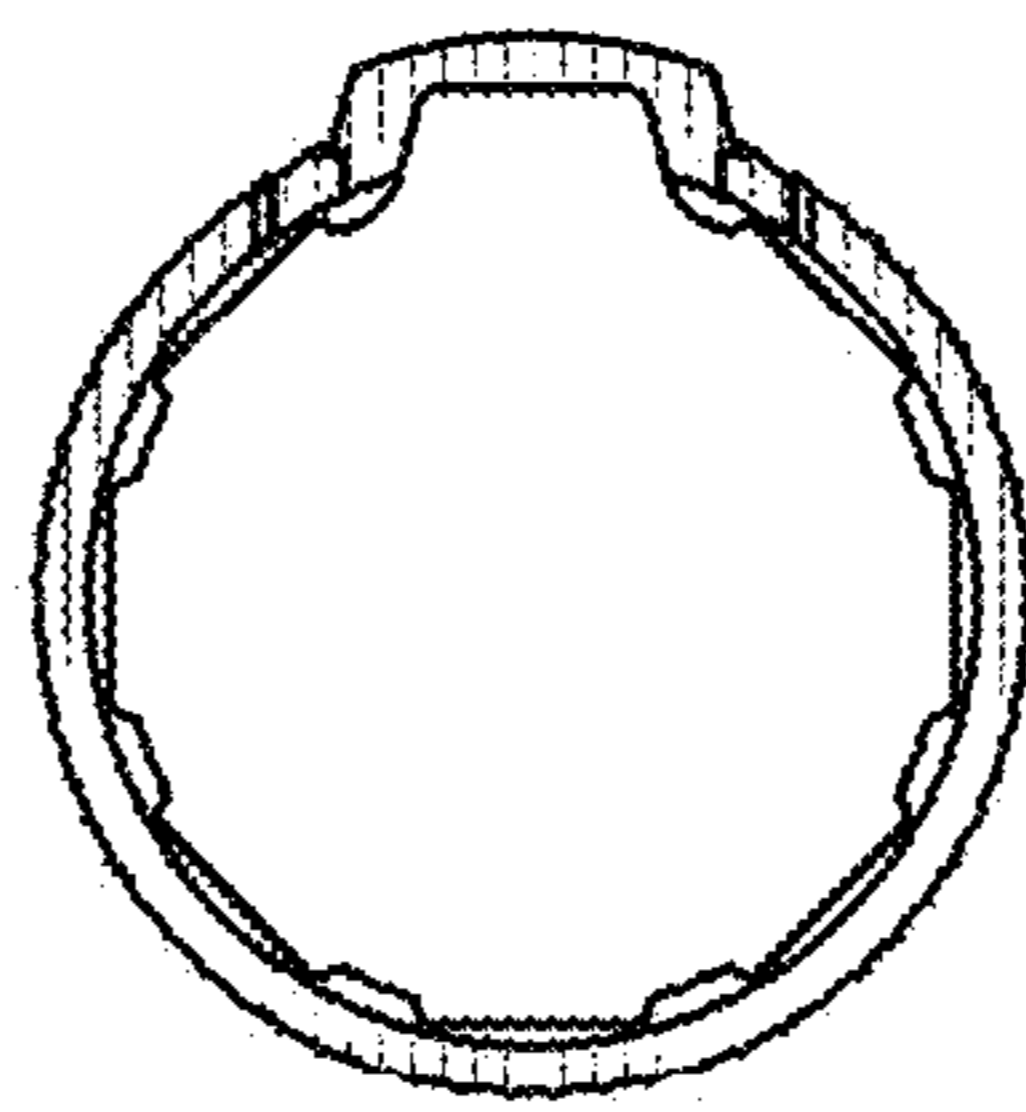


FIG. 5

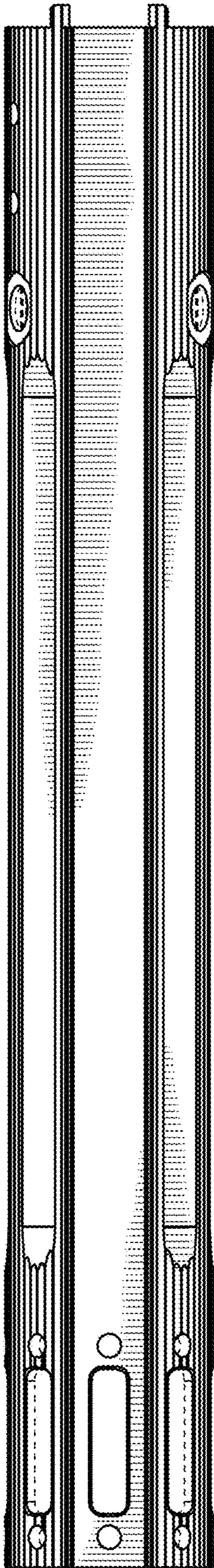


FIG. 6

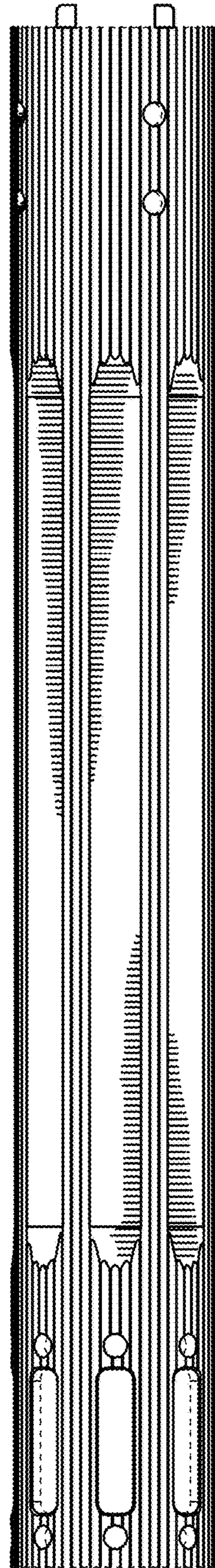


FIG. 7

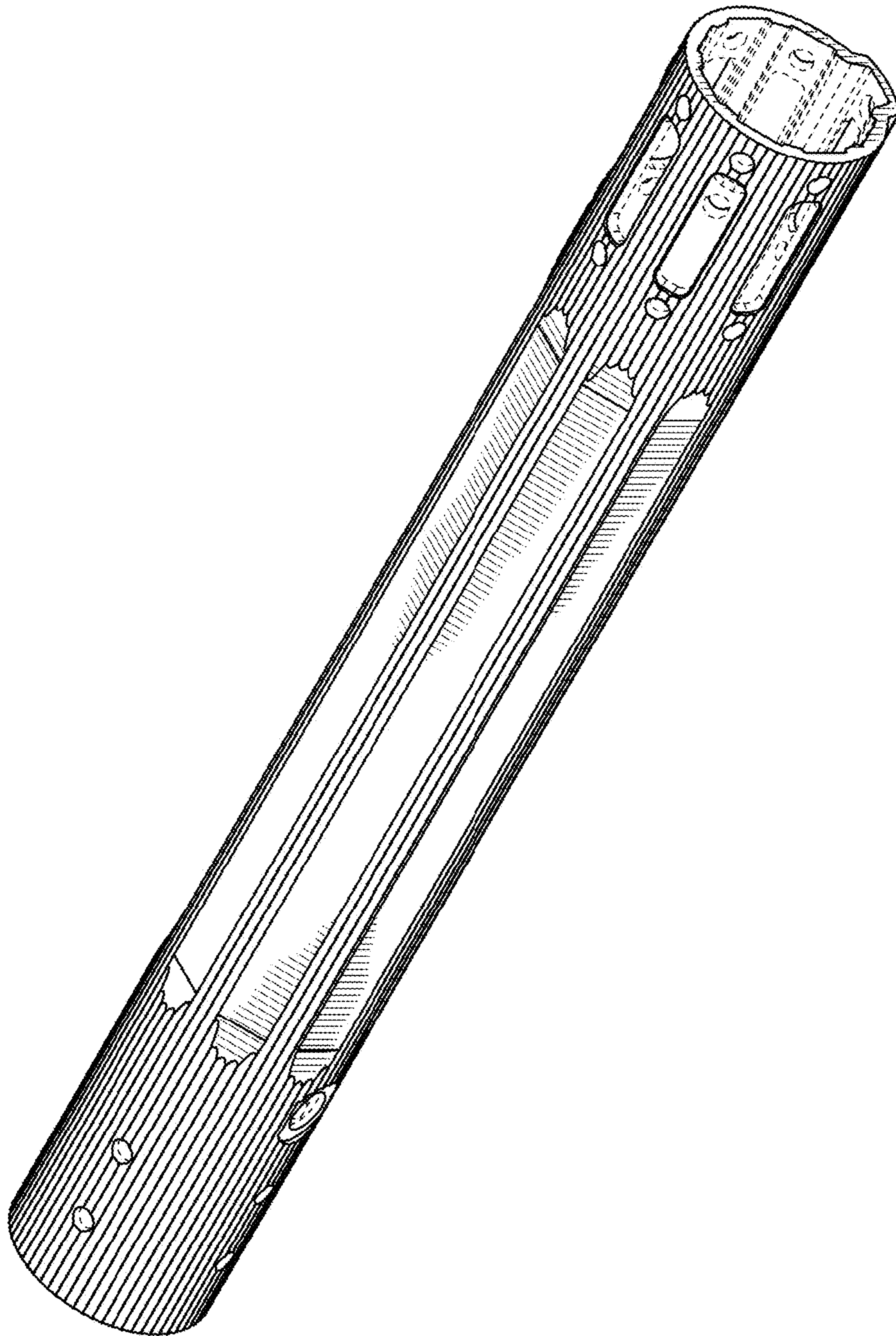


FIG. 8