



US00D809083S

(12) **United States Design Patent**
Fritschy

(10) **Patent No.:** **US D809,083 S**
(45) **Date of Patent:** **** Jan. 30, 2018**

(54) **QUAD PANEL TABLE TENNIS TABLE**
(71) Applicant: **Franklin Sports, Inc.**, Stoughton, MA (US)
(72) Inventor: **Ryan Fritschy**, Sharon, MA (US)
(73) Assignee: **FRANKLIN SPORTS, INC.**, Stoughton, MA (US)
(**) Term: **15 Years**

1,679,447 A * 8/1928 Puff A47B 3/0912 108/35
1,920,577 A * 8/1933 Malinowski A47B 3/0912 108/35
2,481,724 A * 9/1949 Croteau A63F 9/02 108/1
2,743,979 A * 5/1956 Shore A47B 1/04 108/35
D193,389 S * 8/1962 Kardach D12/415
3,091,196 A * 5/1963 Hirsch A47B 25/003 108/170
3,545,738 A * 12/1970 Stagg A61G 13/105 108/167

(21) Appl. No.: **29/540,904**

(Continued)

(22) Filed: **Sep. 29, 2015**

FOREIGN PATENT DOCUMENTS

(51) **LOC (11) Cl.** **21-02**

(52) **U.S. Cl.**
USPC **D21/799.2**

CA 2260618 A1 * 8/1999
CN 302410282 * 4/2013

(Continued)

(58) **Field of Classification Search**
USPC D21/397, 784, 785, 799.1, 799.2;
D6/688.1, 688.15, 691.1, 707, 707.13,
D6/353, 361, 367, 372, 390, 391, 392,
D6/648.1, 656.12, 656.13, 656.14, 656.16,
D6/675.2, 675.5, 676.5, 677.5, 678.4,
D6/683, 626.27, 691.6, 692.4, 693.1,
D6/695.4, 696.3, 697.1, 698,
D6/708.16-708.22, 709.2, 709.22, 710,
D6/718.12; D8/374, 375; 273/342, 309;
473/475, 496; 108/115-135, 167, 171,
108/176-179; 16/18 R, 29, 30, 32, 42 R,
16/42 T; 248/188.9
CPC A63F 7/0005; A63F 7/0017; A63F 7/0652;
A63F 7/0656; A63F 7/3685; A63F
7/3692; A63B 67/04; A63B 67/045; A47B
25/00; A47B 25/003; A47B 3/08; A47B
3/083; A47B 3/087; A47B 3/0912; A47B
2025/006

See application file for complete search history.

Primary Examiner — Catherine A Tuttle

(74) *Attorney, Agent, or Firm* — Joseph B Bowman

(57) **CLAIM**

The ornamental design for a quad panel table tennis table, as shown and described.

DESCRIPTION

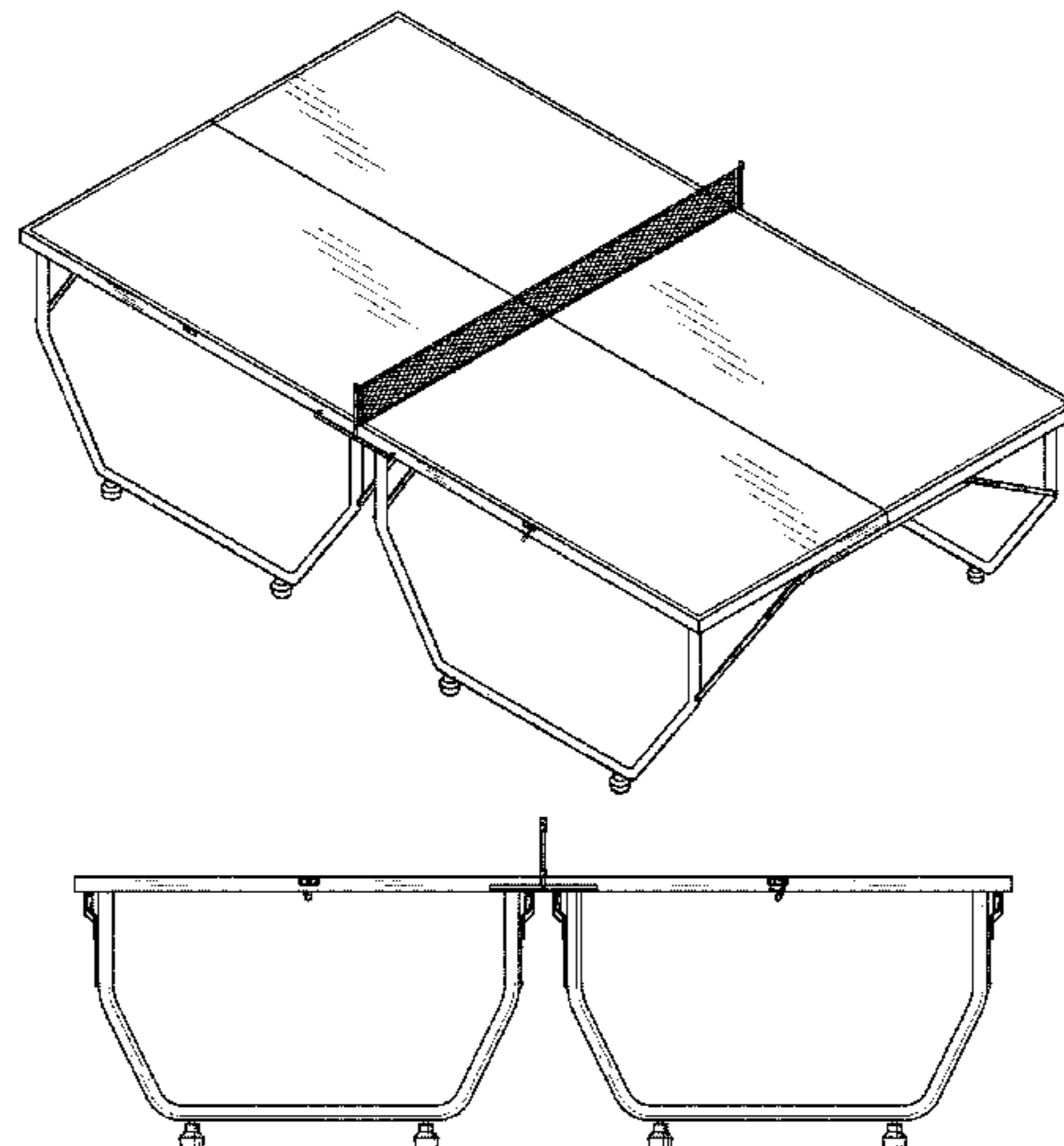
FIG. 1 is a perspective view of a quad panel table tennis table showing of my new design;
FIG. 2 is a top plan view thereof;
FIG. 3 is a bottom plan view thereof;
FIG. 4 is an end elevational view thereof, the opposite end view appearing the same;
FIG. 5 is a left side elevational view thereof; and,
FIG. 6 is a right side elevational view thereof.

1 Claim, 6 Drawing Sheets

(56) **References Cited**

U.S. PATENT DOCUMENTS

318,779 A * 5/1885 Mehaffey A47B 3/087 108/36
801,157 A * 10/1905 Raymond A47B 3/087 108/35



(56)

References Cited

U.S. PATENT DOCUMENTS

3,567,222 A * 3/1971 Robins A47B 25/003
473/435
D249,204 S * 9/1978 Schwartz D6/361
D254,890 S * 5/1980 Wilson D6/708.16
5,487,541 A * 1/1996 Dictor A63B 67/04
473/34
5,649,700 A 7/1997 Suh et al.
D404,940 S * 2/1999 Gallardo D6/708.16
6,120,397 A 9/2000 Julian
6,321,664 B1 11/2001 Damour et al.
6,425,835 B1 7/2002 Kettler
6,523,485 B1 * 2/2003 Cipolla A45B 23/00
108/14
6,645,096 B1 11/2003 Nally et al.
6,916,258 B2 7/2005 Dadbeh
6,990,910 B2 1/2006 Kettler et al.
7,156,763 B1 * 1/2007 Liao A47B 25/003
473/496
7,197,990 B2 4/2007 Kettler et al.
7,207,290 B2 * 4/2007 Nichols A01K 5/0114
108/116
7,490,562 B2 2/2009 Cornilleau
7,597,636 B2 10/2009 Vallon et al.

7,704,170 B2 4/2010 Julian et al.
8,328,695 B2 * 12/2012 Ronan A63B 5/11
135/156
8,444,511 B2 5/2013 Chen
8,491,424 B2 7/2013 Wang
D714,411 S * 9/2014 Chen D21/799.2
2003/0070596 A1 * 4/2003 Riach A47B 3/083
108/115
2003/0228944 A1 12/2003 Scruby
2004/0079261 A1 * 4/2004 Nally A47B 3/083
108/115
2011/0177893 A1 * 7/2011 Abramson F41C 23/20
473/496
2015/0257527 A1 * 9/2015 Lai A47B 3/0818
108/164

FOREIGN PATENT DOCUMENTS

CN 302691826 * 12/2013
DE 1430583 A1 * 3/1969 A47B 3/087
DE 2624468 A1 * 12/1977 A47B 3/0915
FR 1123587 A * 9/1956 A47B 3/087
FR 2490098 A1 * 3/1982 A63B 67/04
FR 2809965 A3 * 12/2001 A47B 25/003

* cited by examiner

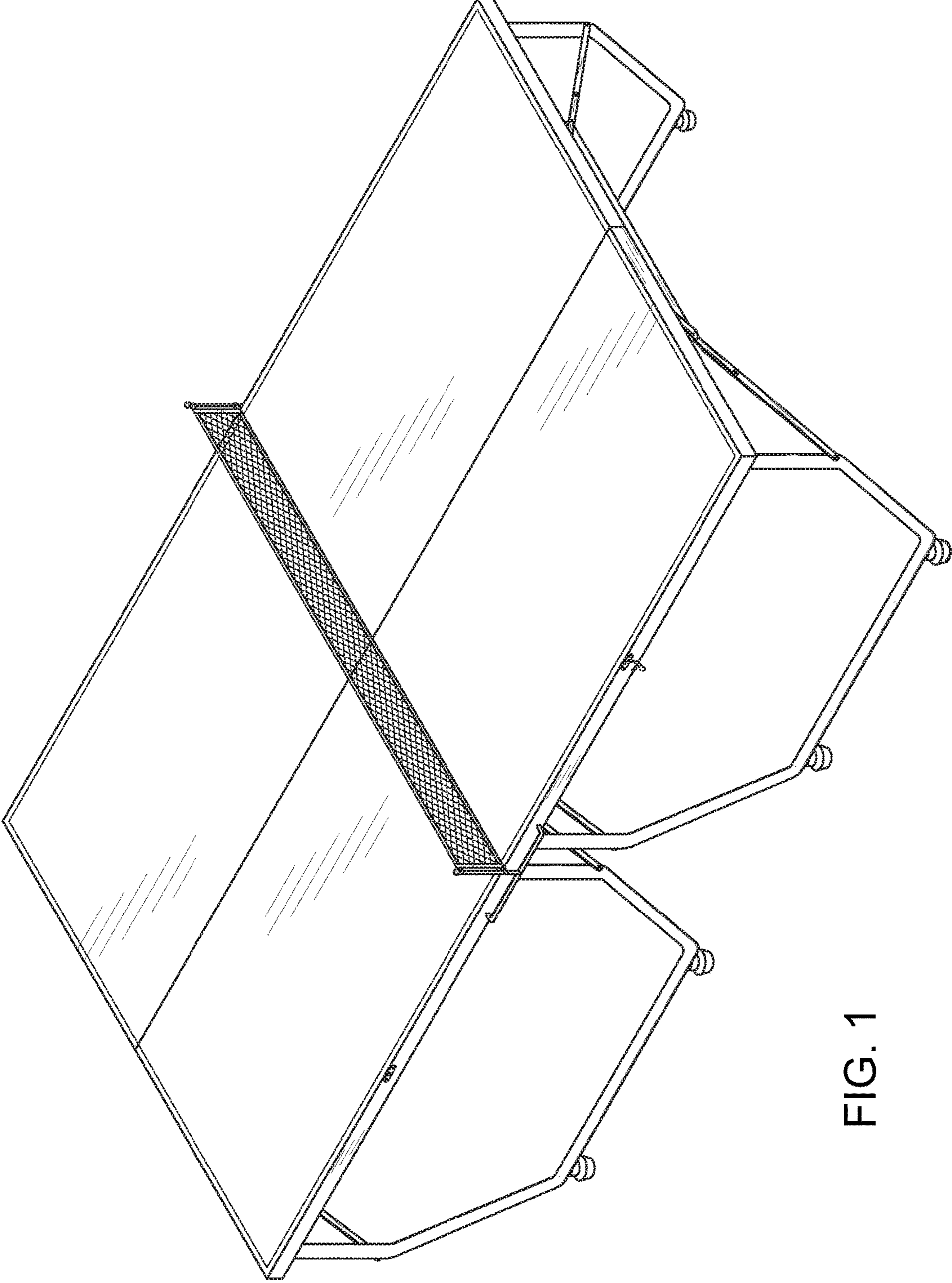


FIG. 1

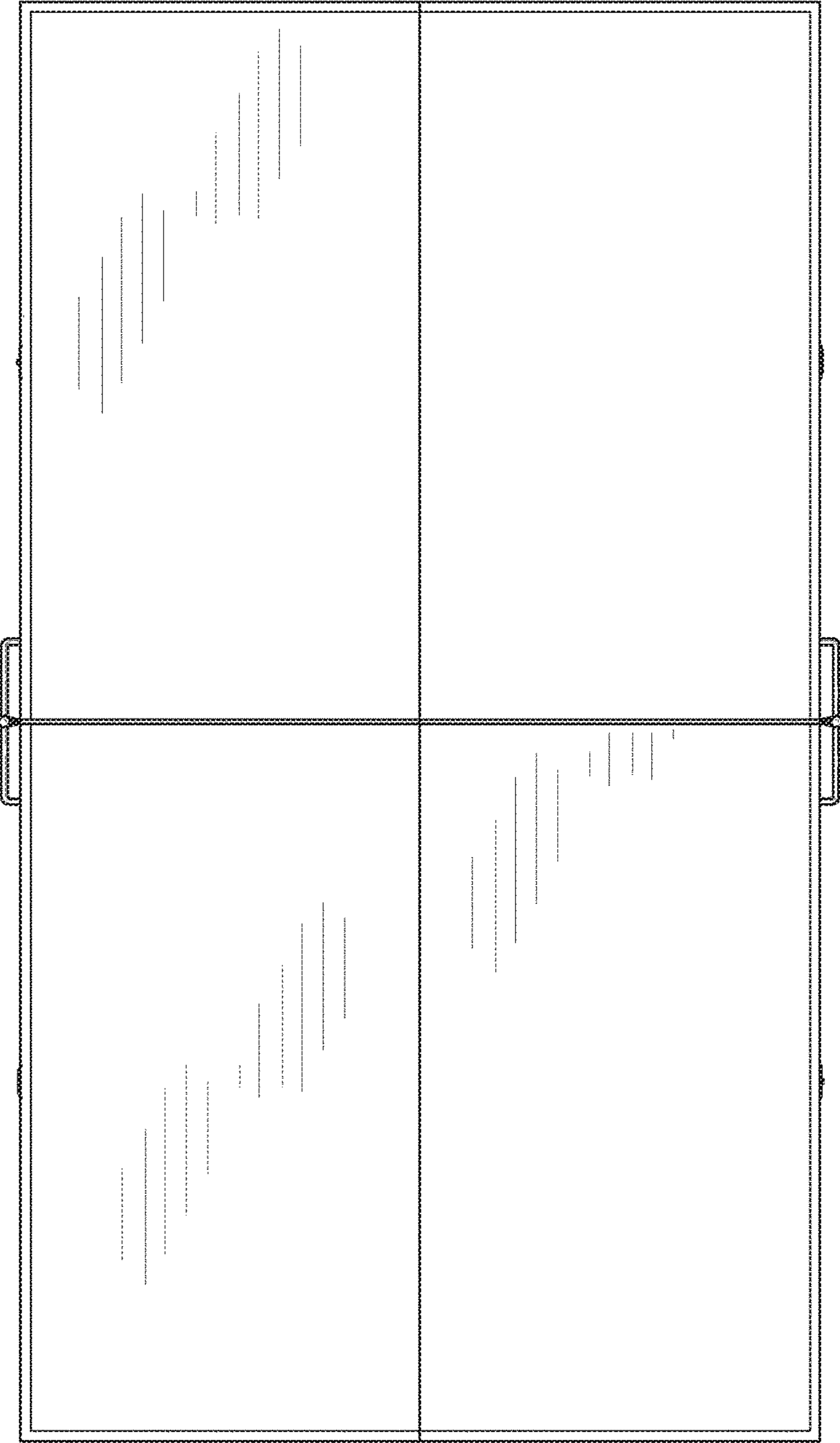


FIG. 2

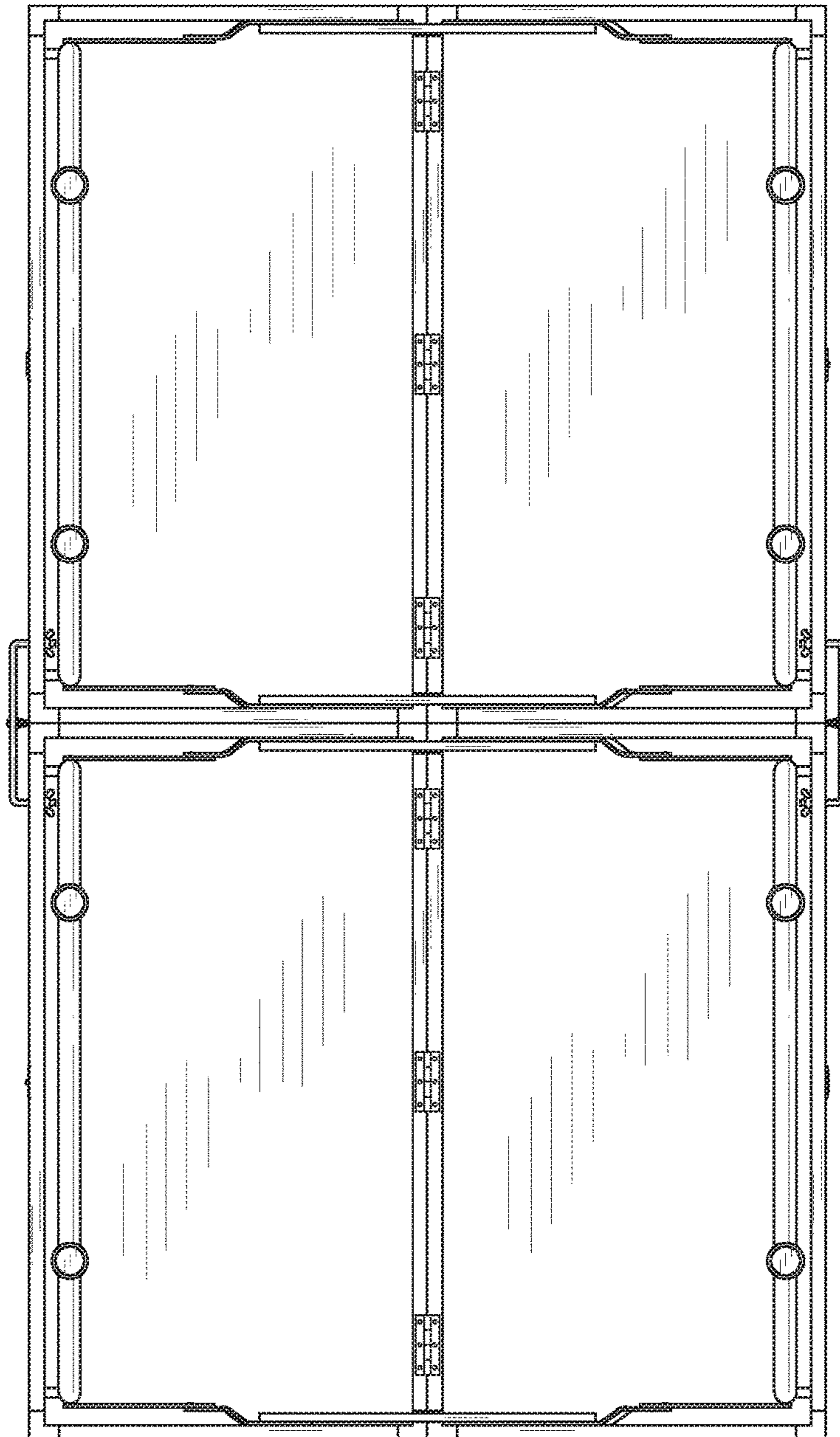


FIG. 3

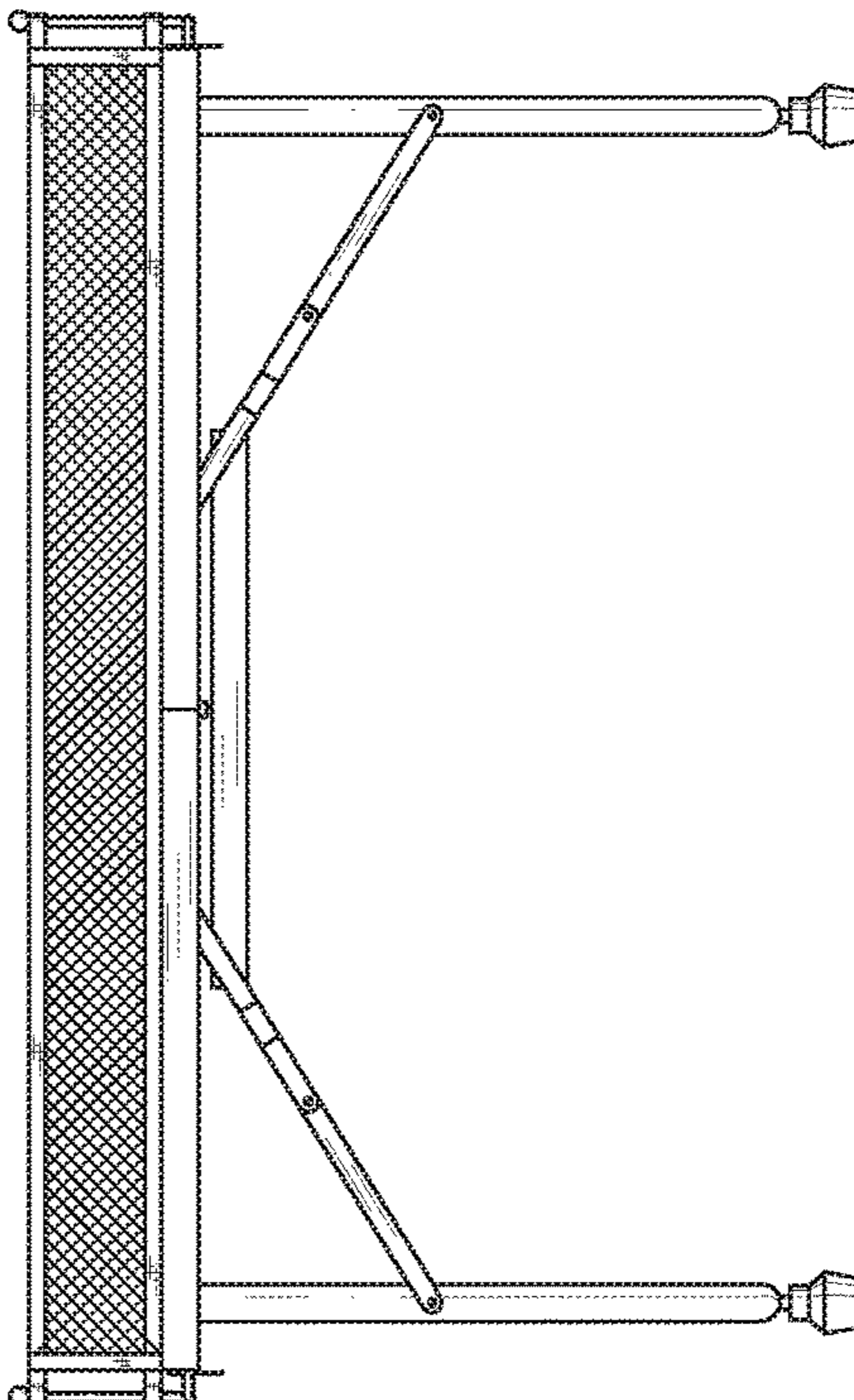


FIG. 4

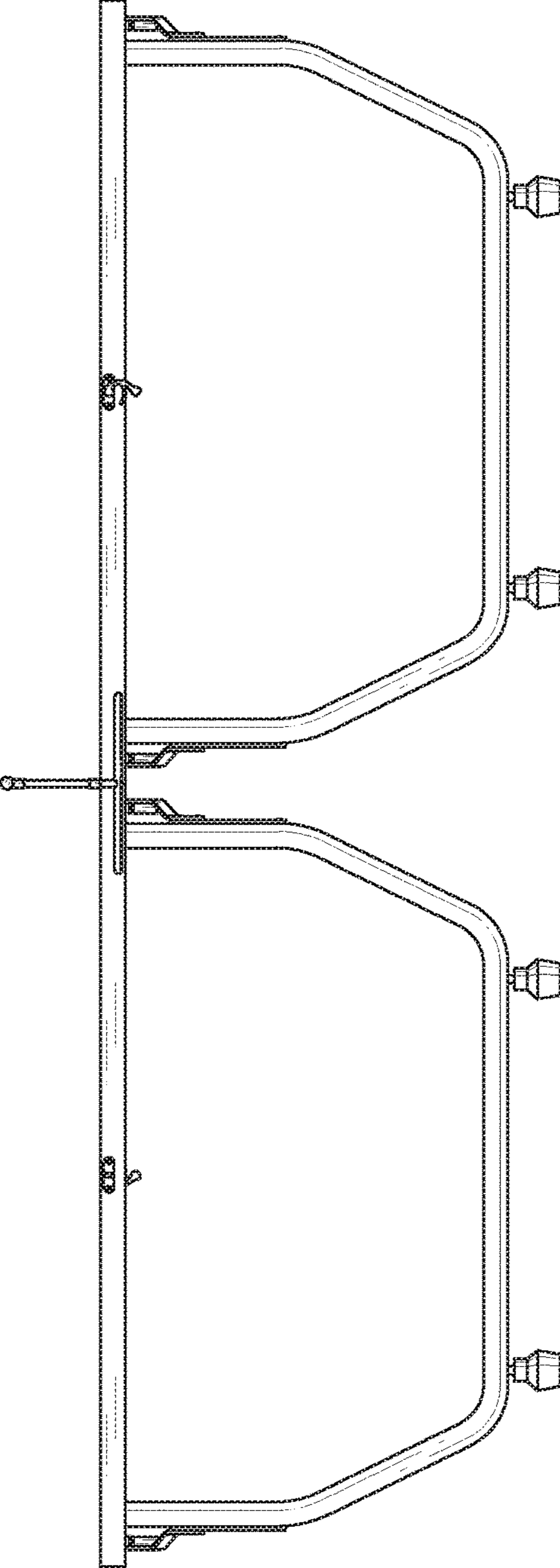


FIG. 5

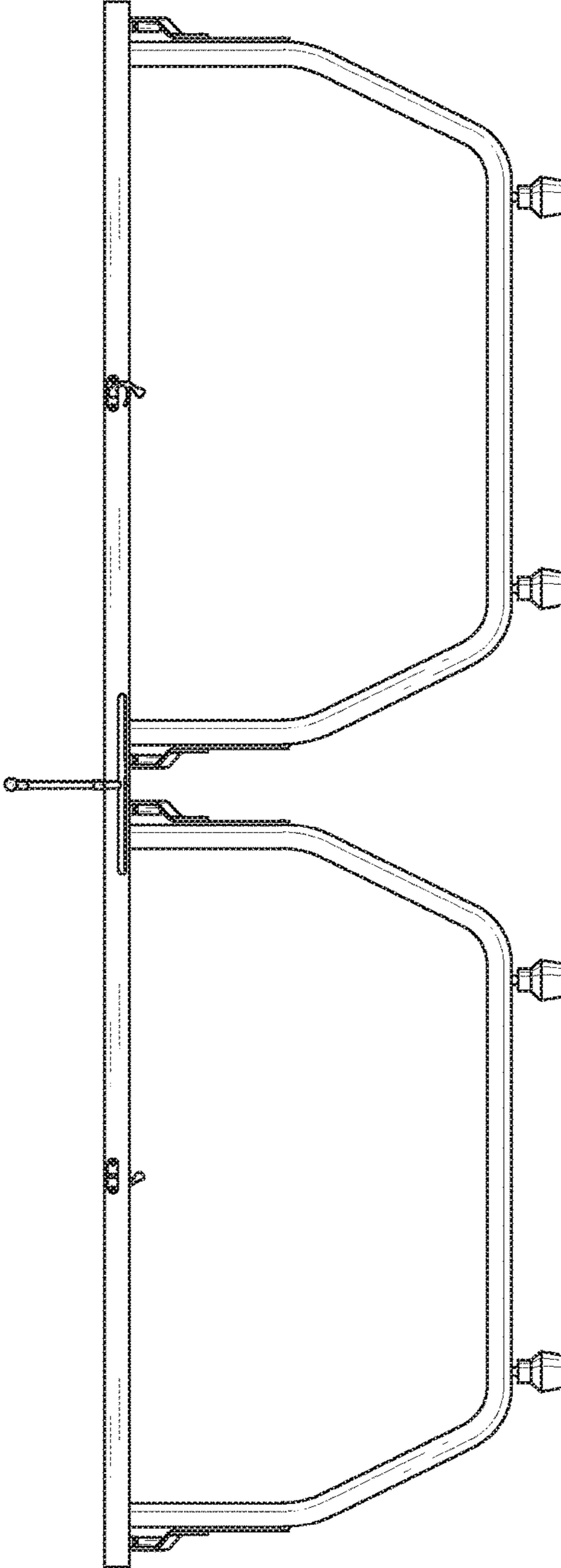


FIG. 6