



US00D809081S

(12) **United States Design Patent**  
**Becktor et al.**

(10) **Patent No.:** **US D809,081 S**

(45) **Date of Patent:** **\*\* Jan. 30, 2018**

(54) **GOLF CLUB HEAD**

(71) Applicant: **DUNLOP SPORTS CO. LTD.**,  
Kobe-shi, Hyogo (JP)

(72) Inventors: **Mika Becktor**, New York, NY (US);  
**Keith F. Dolezel**, Covina, CA (US);  
**Phillip C. Seagram**, Long Beach, CA (US)

(73) Assignee: **DUNLOP SPORTS CO. LTD.**, Kobe (JP)

(\*\*) Term: **15 Years**

(21) Appl. No.: **29/571,905**

(22) Filed: **Jul. 22, 2016**

(51) **LOC (11) Cl.** ..... **21-02**

(52) **U.S. Cl.**  
USPC ..... **D21/759**

(58) **Field of Classification Search**  
USPC ..... D21/733-752, 759  
CPC ..... A63B 53/00; A63B 53/04; A63B 53/007;  
A63B 53/065; A63B 53/0487; A63B  
60/00; A63B 60/46  
See application file for complete search history.

(56) **References Cited**

**U.S. PATENT DOCUMENTS**

D350,177 S	*	8/1994	Ramirez	.....	D21/745
D532,845 S	*	11/2006	Rollinson	.....	D21/736
D574,908 S	*	8/2008	Hettinger	.....	D21/743
D582,497 S	*	12/2008	Rollinson	.....	D21/744
D591,807 S	*	5/2009	Rollinson	.....	D21/744

D688,341 S	*	8/2013	Rollinson	.....	D21/746
D691,226 S	*	10/2013	Hilton	.....	D21/746
D704,782 S	*	5/2014	Rollinson	.....	D21/736
D728,715 S	*	5/2015	Cameron	.....	D21/736
D730,464 S	*	5/2015	Cameron	.....	D21/743
D731,605 S	*	6/2015	Rollinson	.....	D21/736
D769,385 S	*	10/2016	Tang	.....	D21/759
D777,275 S	*	1/2017	Seagram	.....	D21/759
D783,749 S	*	4/2017	Becktor	.....	D21/759

\* cited by examiner

*Primary Examiner* — Mitchell I. Siegel

(74) *Attorney, Agent, or Firm* — Oliff PLC

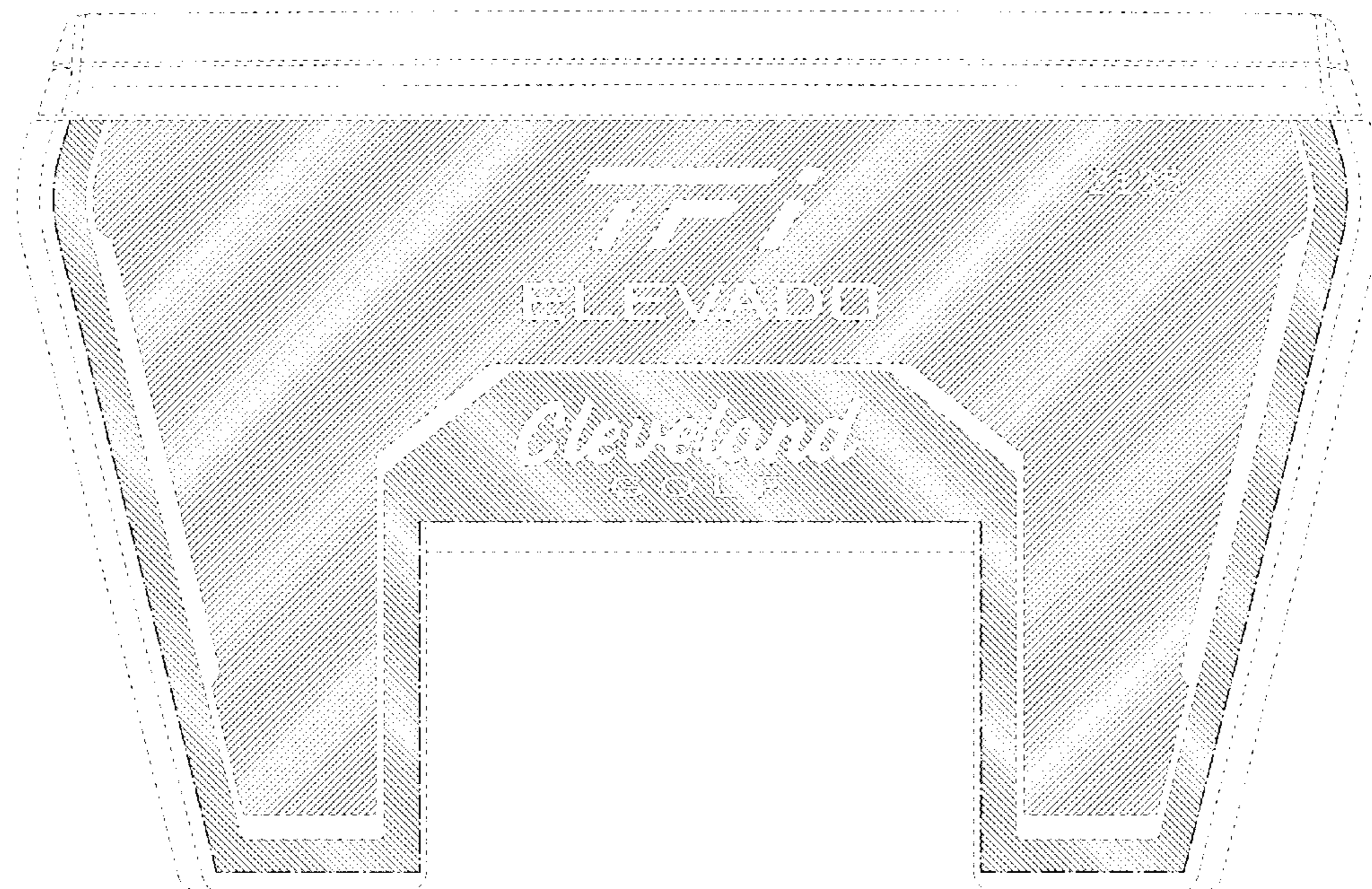
(57) **CLAIM**

The ornamental design for a golf club head, as shown and described.

**DESCRIPTION**

FIG. 1 is a front, top, heel-side perspective view of the golf club head;  
FIG. 2 is a front elevational view thereof;  
FIG. 3 is a top plan view thereof;  
FIG. 4 is a toe-side elevational view thereof;  
FIG. 5 is a heel-side elevational view thereof;  
FIG. 6 is a rear elevational view thereof;  
FIG. 7 is a bottom plan view thereof;  
FIG. 8 is a rear, top, heel-side perspective view thereof; and,  
FIG. 9 is a cross-sectional view along line 9-9 in FIG. 6.  
The broken lines depict unclaimed portions of the golf club head and thus form no part of the claimed design. The dot-dash chain lines represent boundaries of the claimed subject matter, and thus form no part of the claimed design. The two areas shown in differently oriented diagonal line patterns represent two areas having a contrast in appearance.

**1 Claim, 8 Drawing Sheets**



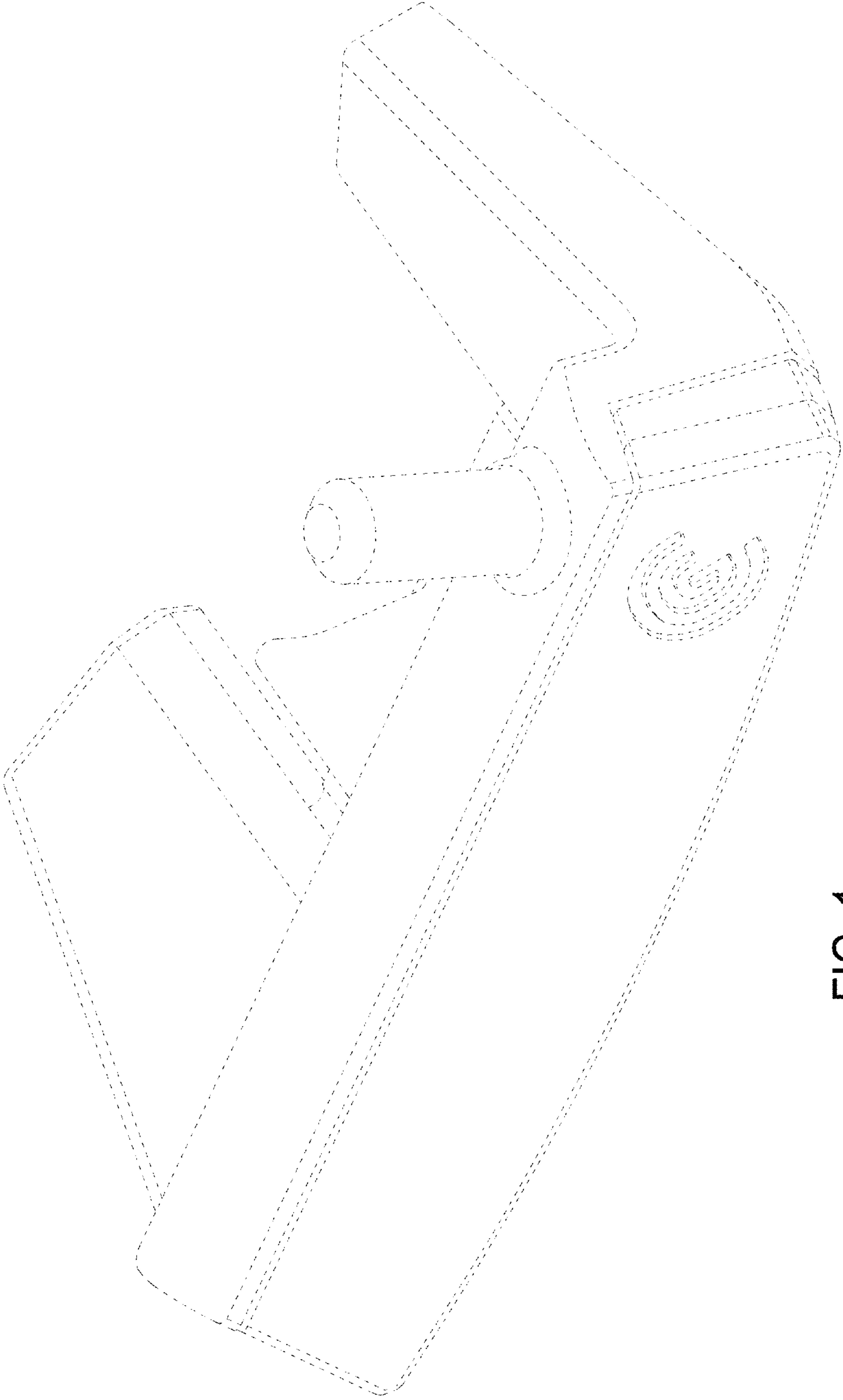


FIG. 1

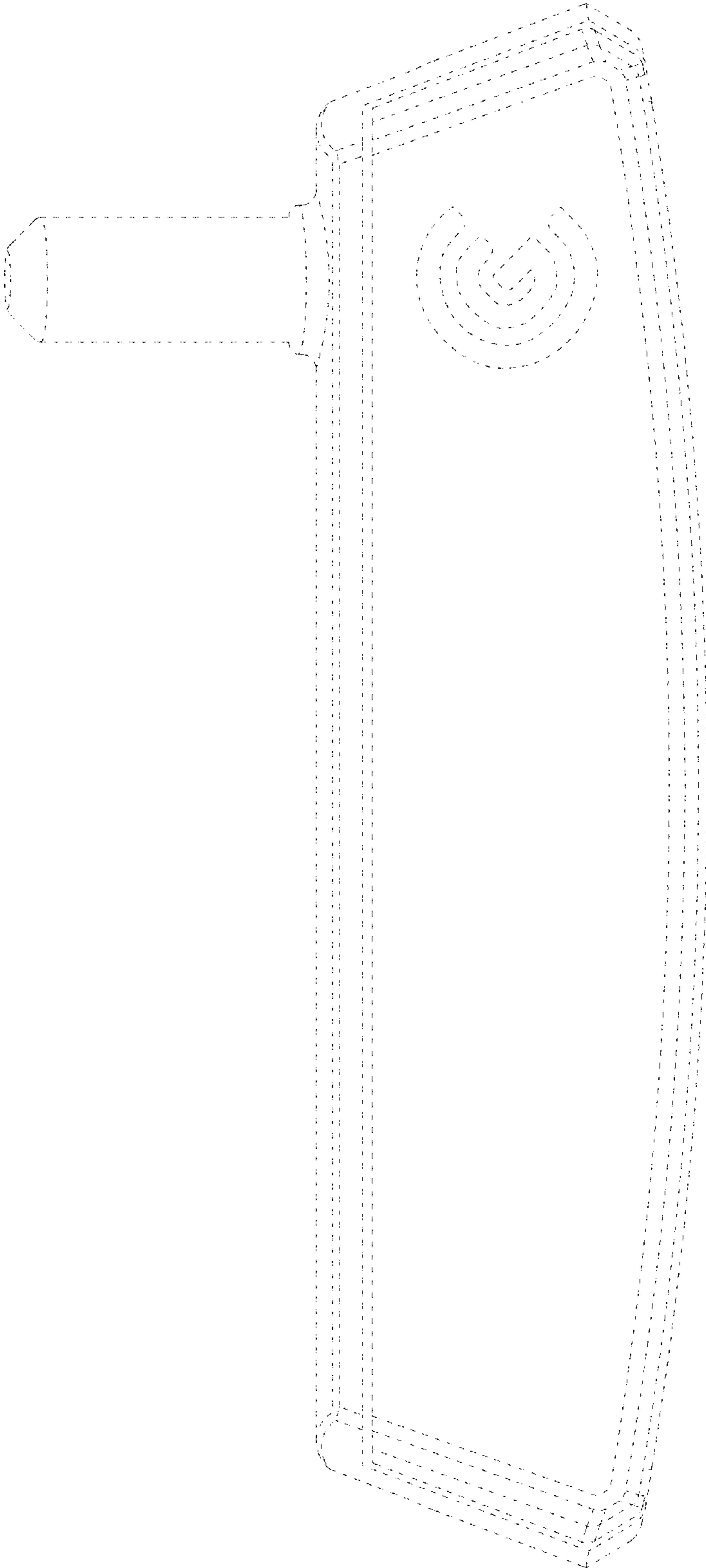


FIG. 2

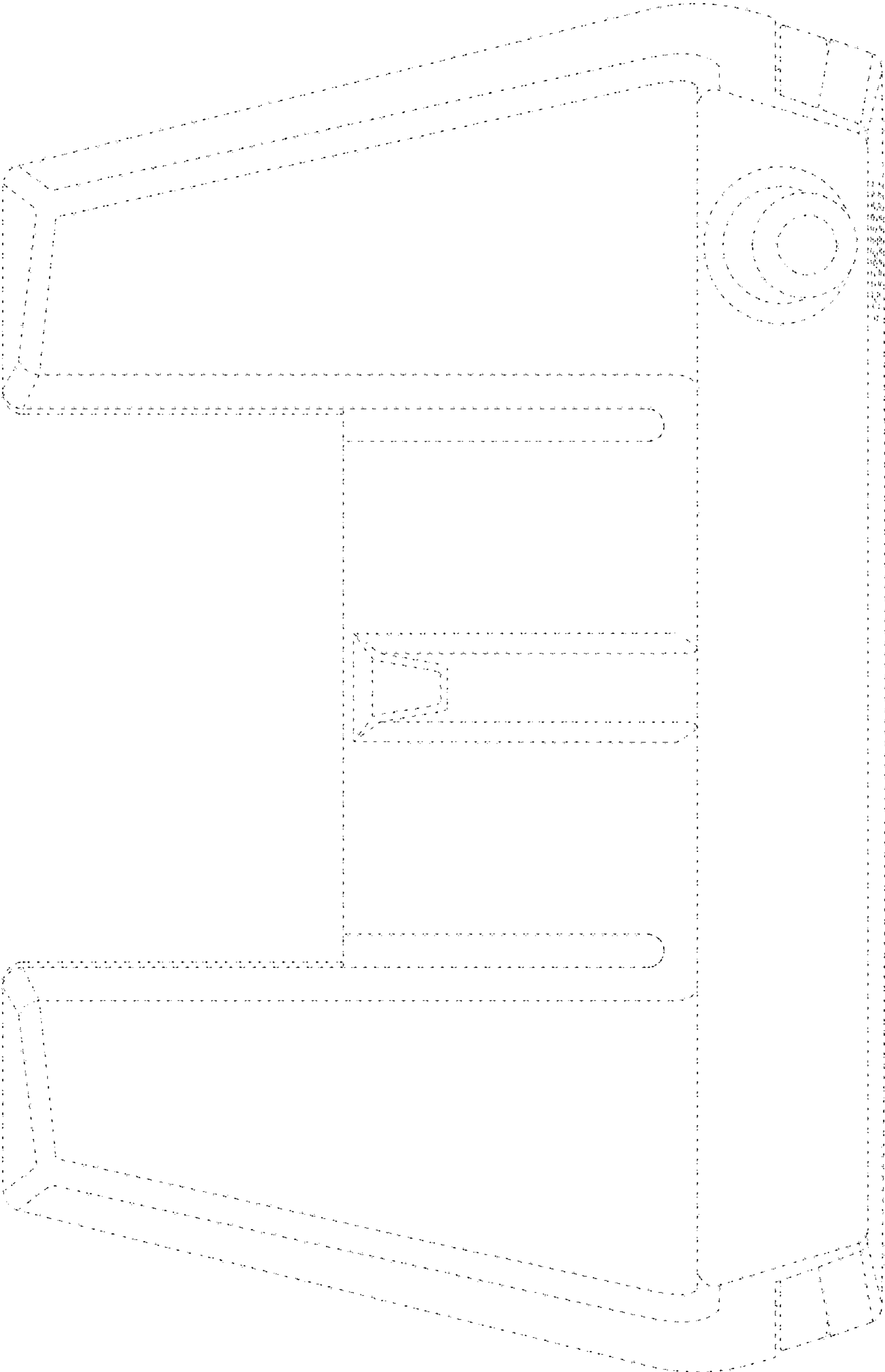


FIG. 3

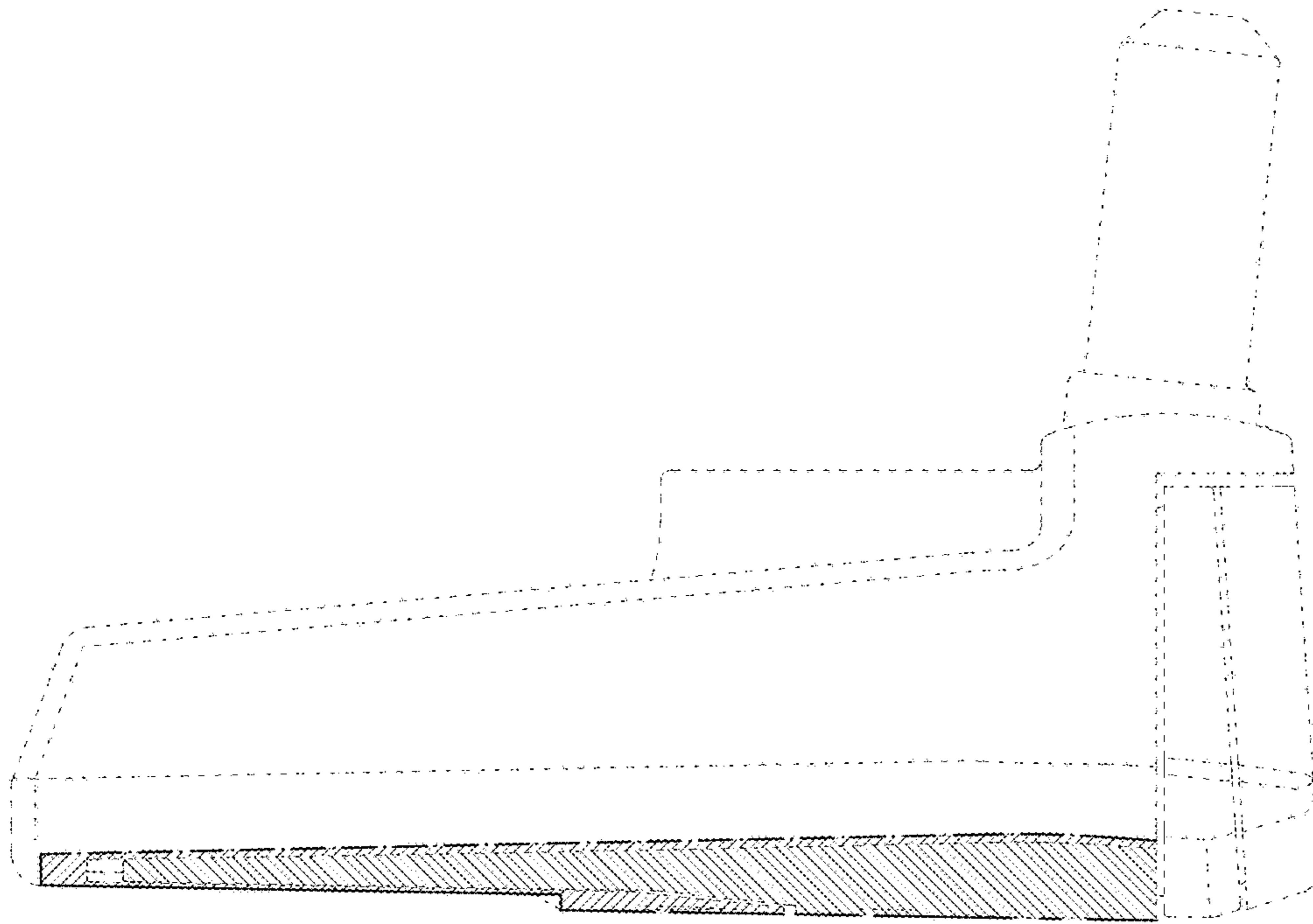


FIG. 4

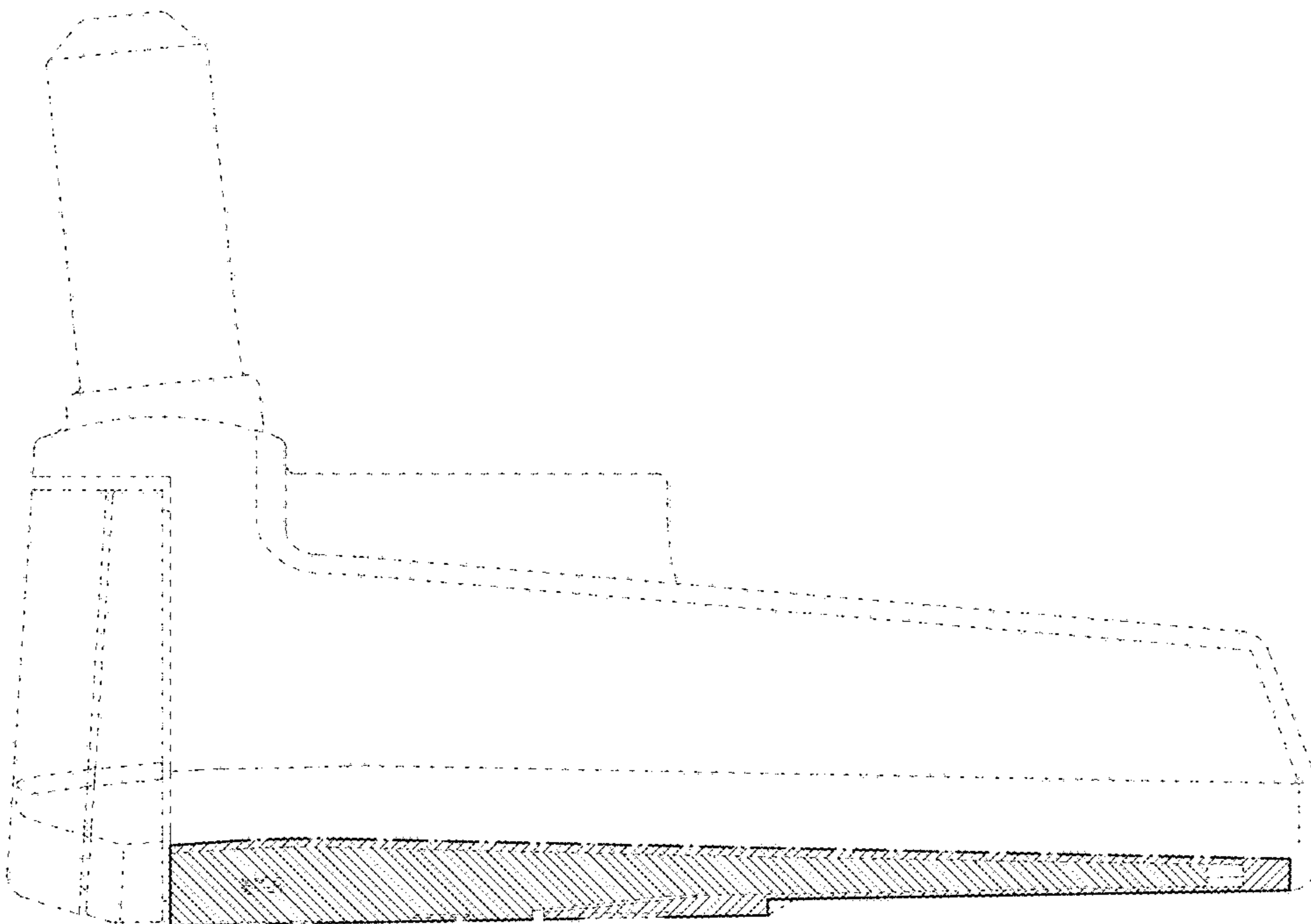


FIG. 5

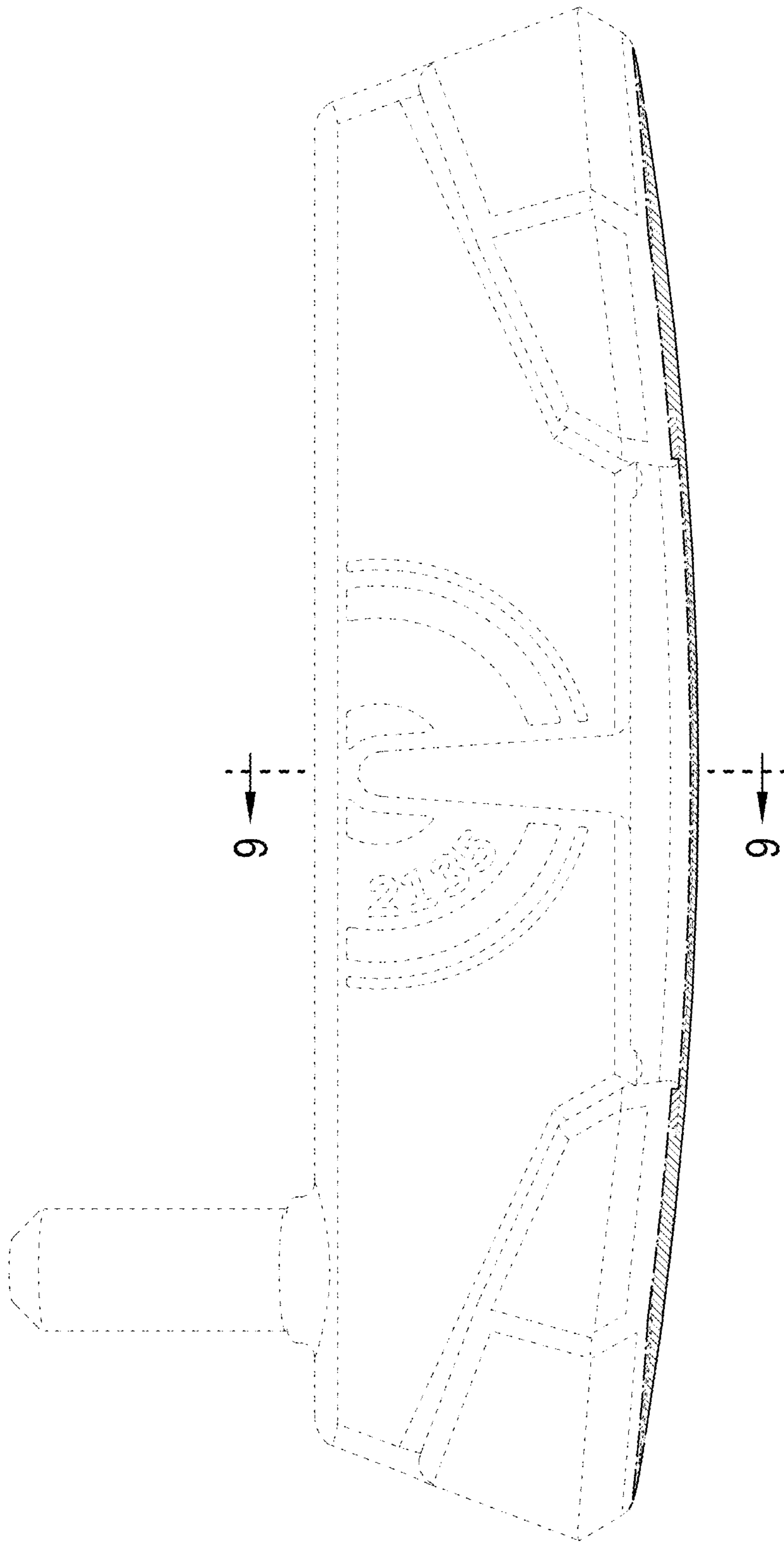


FIG. 6

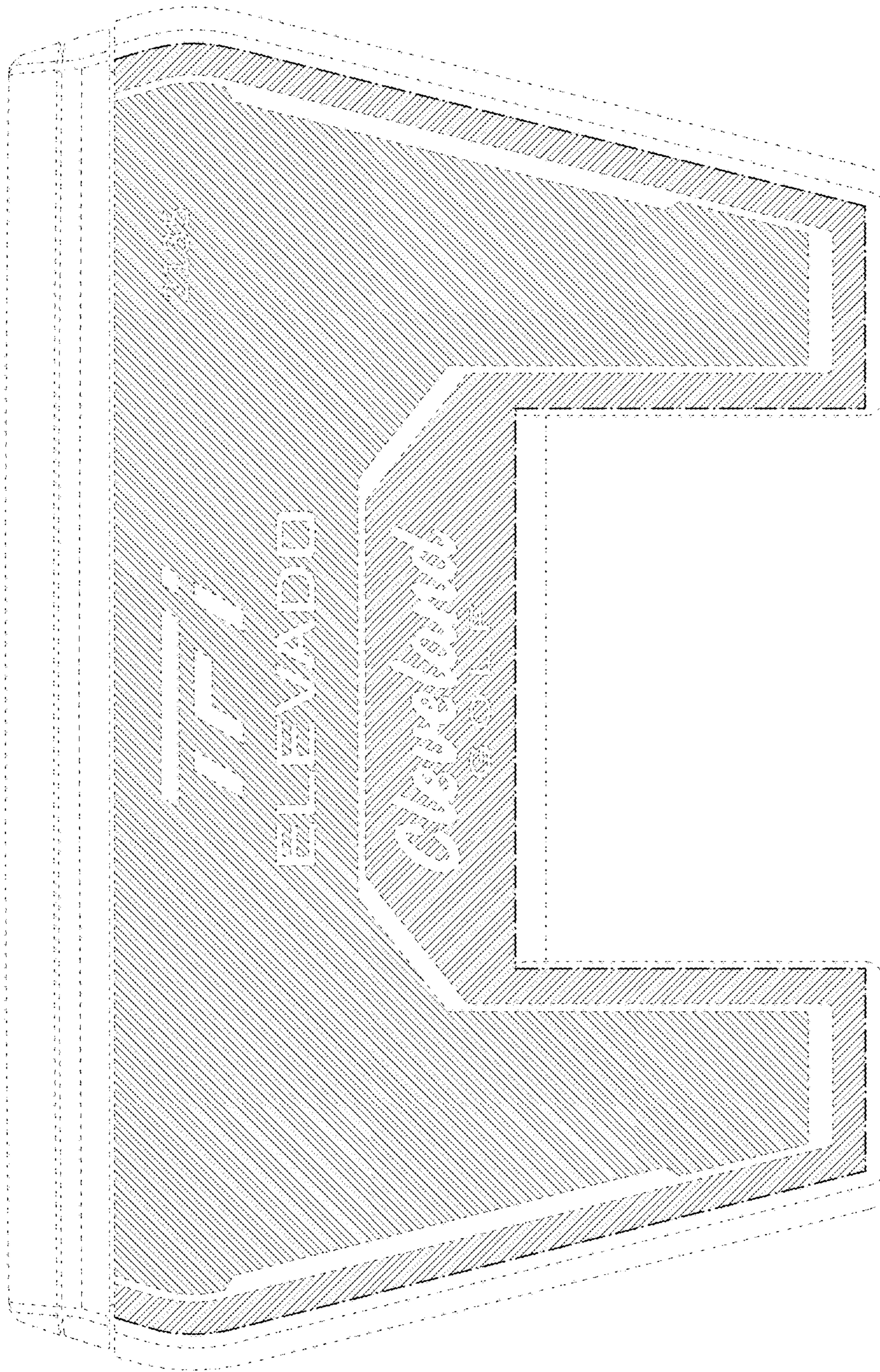


FIG. 7

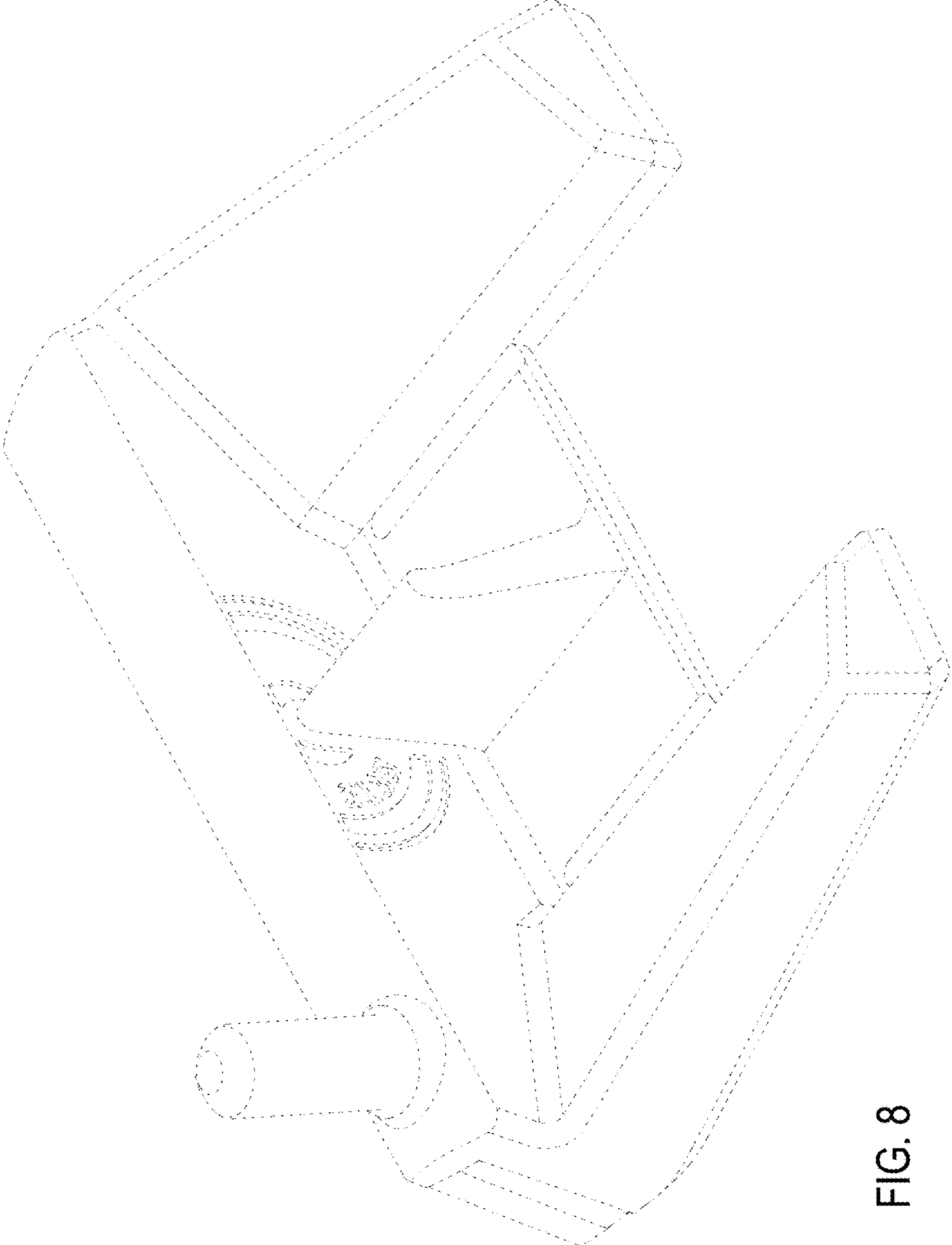


FIG. 8



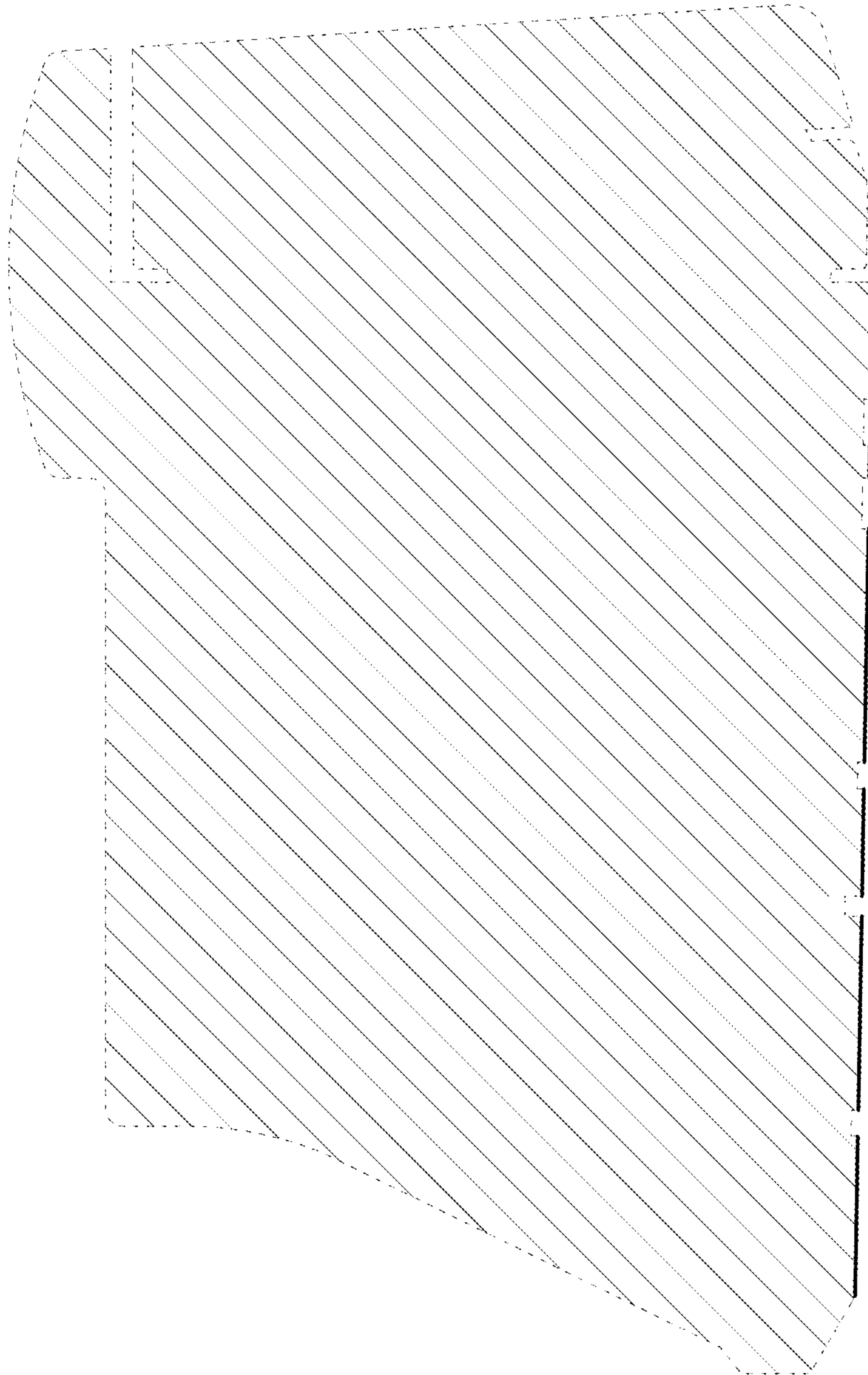


FIG. 9