



US00D809075S

(12) **United States Design Patent**  
**Frost et al.**

(10) **Patent No.:** **US D809,075 S**  
(45) **Date of Patent:** **\*\* Jan. 30, 2018**

- (54) **SPORTS TRAINING AID**
- (71) Applicant: **SURE-SET GOLF LIMITED**,  
Weymouth (GB)
- (72) Inventors: **Daniel Alexander Frost**, Weymouth  
(GB); **Michael Andrew Robson**,  
Weymouth (GB)
- (73) Assignee: **SURE-SET GOLF LIMITED** (GB)
- (\*\*) Term: **15 Years**
- (21) Appl. No.: **29/572,132**
- (22) Filed: **Jul. 25, 2016**

5,492,321	A *	2/1996	Cipriano	.....	A63B 69/0002	473/424
D394,093	S *	5/1998	Burns	.....	D21/780	
D395,477	S *	6/1998	Vela	.....	D21/756	
D399,273	S *	10/1998	Foley	.....	D21/719	
D413,641	S *	9/1999	Falco	.....	D21/725	
D433,086	S *	10/2000	Snyder	.....	D21/747	
D445,868	S *	7/2001	Fischer	.....	D21/725	
D451,157	S *	11/2001	Brookes	.....	D21/662	
D585,513	S *	1/2009	Scheele	.....	D21/780	
7,762,913	B1 *	7/2010	Hagen	.....	A63B 21/0552	473/457
8,540,584	B1 *	9/2013	Sorenson	.....	A63B 69/36	473/219
2006/0014597	A1 *	1/2006	Cantu	.....	A63B 69/0002	473/422
2007/0254753	A1 *	11/2007	Bleecker	.....	A63B 53/14	473/568

(Continued)

(30) **Foreign Application Priority Data**

Jan. 26, 2016 (EM) ..... 002959247

- (51) **LOC (11) Cl.** ..... **21-02**
- (52) **U.S. Cl.**  
USPC ..... **D21/698**; D21/780
- (58) **Field of Classification Search**  
USPC ..... D21/466, 698, 707, 715, 719, 722, 723,  
D21/725-732, 756, 758, 780  
CPC ..... A63B 43/00; A63B 43/002; A63B 43/02;  
A63B 69/0002; A63B 69/0091; A63B  
2069/0004; A63B 2069/0006; A63B  
2069/0008; A63B 2069/0011  
See application file for complete search history.

(56) **References Cited**

**U.S. PATENT DOCUMENTS**

4,022,467	A *	5/1977	Ruess	.....	A63B 69/0091	273/DIG. 6
4,513,965	A *	4/1985	Aschermann	.....	A63B 69/0002	473/458
5,230,506	A *	7/1993	Cipriano	.....	A63B 69/0091	473/424
D365,131	S *	12/1995	Edwards	.....	D21/756	

**OTHER PUBLICATIONS**

Original "Sure-Set" Golf Training Aid; Aug. 2012; 4 pgs.

*Primary Examiner* — Catherine A Tuttle  
(74) *Attorney, Agent, or Firm* — Gardner Groff  
Greenwald & Villanueva, PC

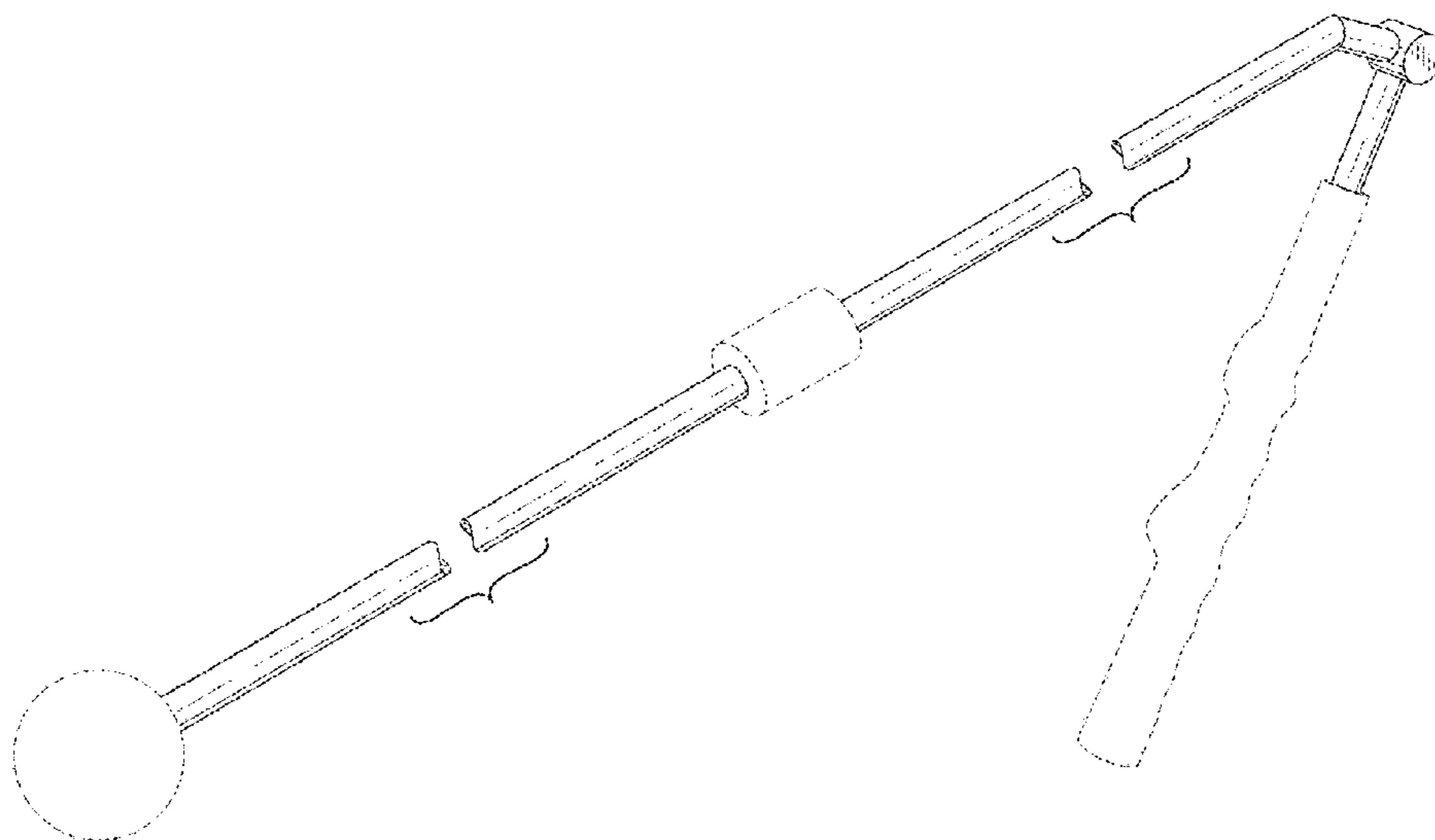
(57) **CLAIM**

The ornamental design for a sports training aid, substantially as shown and described.

**DESCRIPTION**

FIG. 1 is a perspective view of the sports training device embodying our new design;  
FIG. 2 is a top plan view thereof;  
FIG. 3 is a bottom plan view thereof;  
FIG. 4 is a front elevational view thereof; and,  
FIG. 5 is a rear elevational view thereof.  
Portions shown in broken lines are for illustrative purposes only and form no part of the claimed design.

**1 Claim, 4 Drawing Sheets**



(56)

**References Cited**

U.S. PATENT DOCUMENTS

2009/0069127	A1*	3/2009	James .....	A63B 15/00 473/451
2011/0207545	A1*	8/2011	Huff .....	A63B 69/0057 473/266
2013/0344997	A1*	12/2013	DiMichele, Jr. ...	A63B 69/0002 473/424
2014/0228156	A1*	8/2014	Riggle .....	A63B 69/0088 473/424
2014/0256475	A1*	9/2014	Hymmer .....	A63B 69/0079 473/429
2014/0287852	A1*	9/2014	Clark .....	A63B 69/0002 473/424
2015/0141171	A1*	5/2015	Castillo, Jr. ....	A63B 69/0091 473/425
2015/0165293	A1*	6/2015	Hamilton .....	A63B 69/0002 473/453

\* cited by examiner

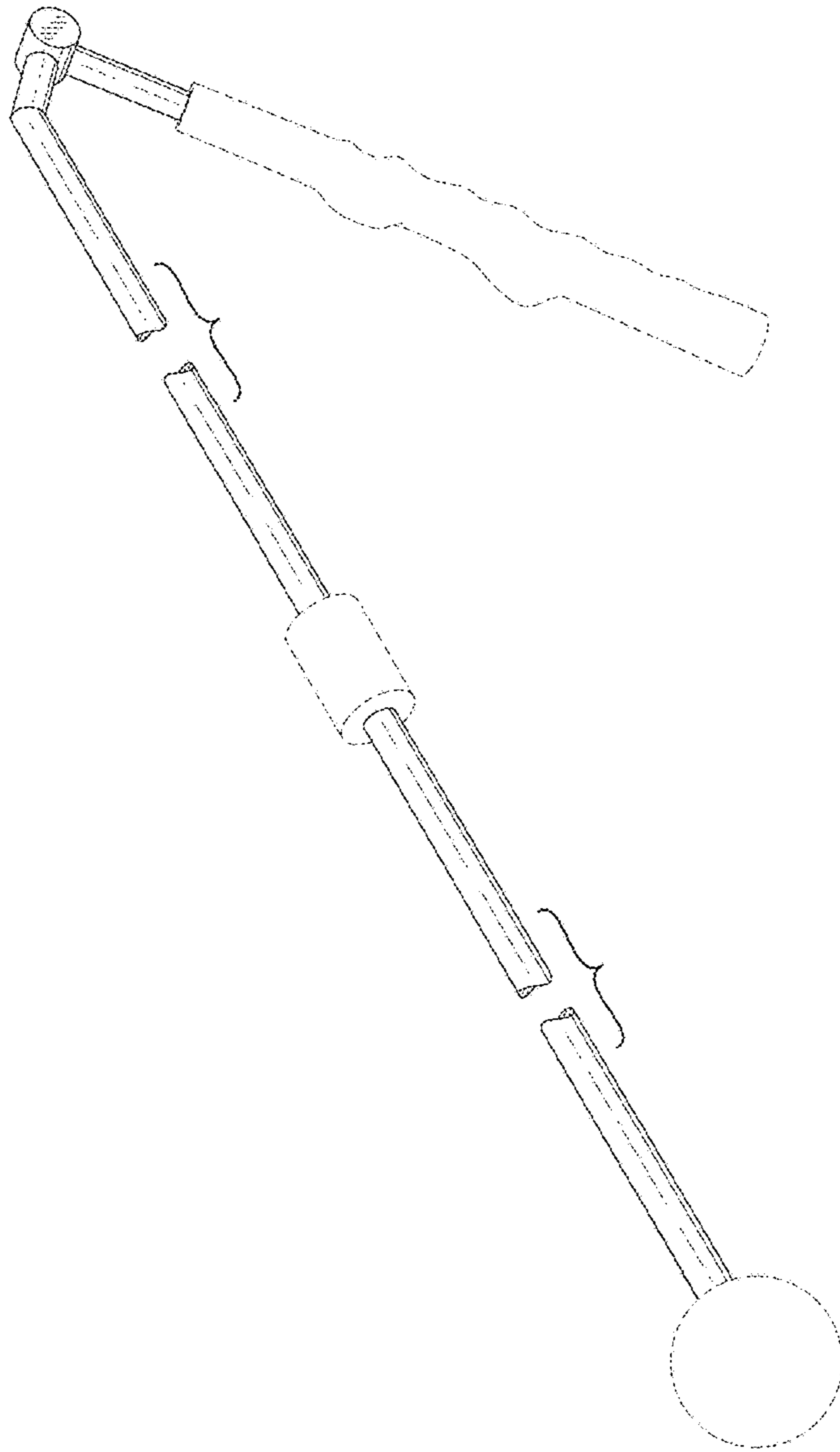


FIG. 1

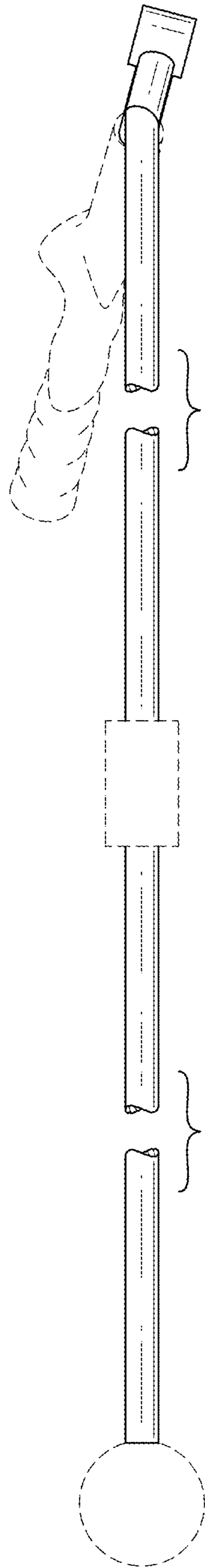


FIG. 2

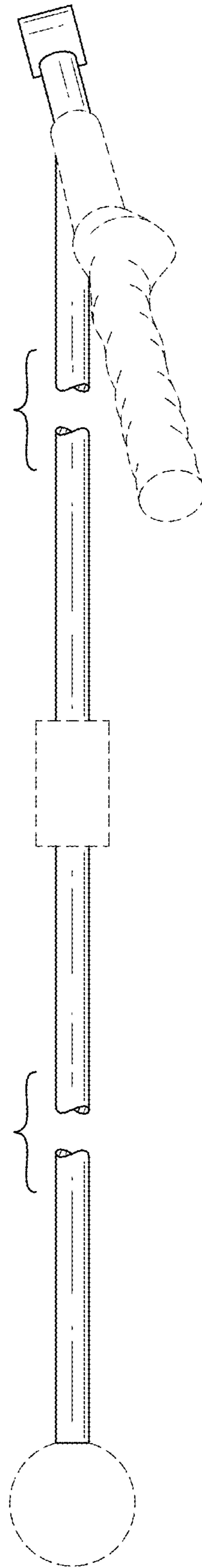


FIG. 3

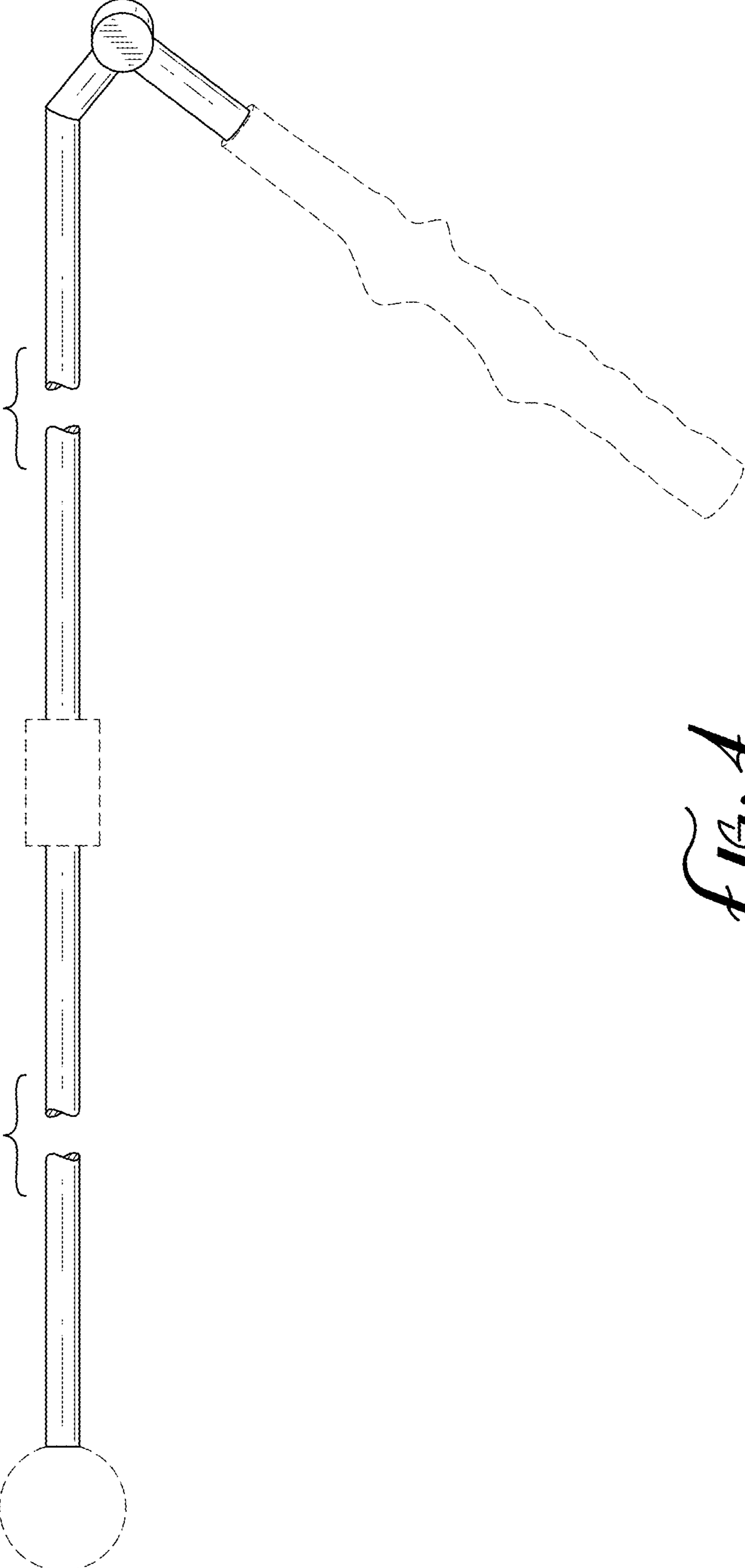


FIG. 4

