



US00D809074S

(12) **United States Design Patent** (10) **Patent No.:** **US D809,074 S**
Irwin et al. (45) **Date of Patent:** **** Jan. 30, 2018**

(54) **RISER FOR AN EXERCISE PLATFORM**

(71) Applicant: **Step Fitness & Recreation, Inc.**,
Marietta, GA (US)
(72) Inventors: **Lyle Ray Irwin**, Woodstock, GA (US);
Bradley Workman, Snellville, GA
(US); **Sam Crosby**, Lilburn, GA (US)
(73) Assignee: **STEP FITNESS & RECREATION,**
INC., Marietta, GA (US)

(**) Term: **15 Years**

(21) Appl. No.: **29/585,838**

(22) Filed: **Nov. 29, 2016**

Related U.S. Application Data

(63) Continuation of application No. 29/514,069, filed on
Jan. 8, 2015, now Pat. No. Des. 775,285.

(51) **LOC (11) Cl.** **21-02**

(52) **U.S. Cl.**
USPC **D21/697**

(58) **Field of Classification Search**

USPC D21/797, 694, 671, 686, 698, 699, 680,
D21/685, 692, 662, 687, 689, 318, 688,
D21/412, 333, 683, 798; D19/37, 64, 59;
D8/330, 1, 16; D9/624, 629; D14/417,
D14/496; 15/104.93, 105, 118, 229.11,
15/208; D25/139, 155, 62, 65; D6/349,
D6/582, 592, 335, 350, 583, 588, 585;
99/472, 467; D34/23, 1; 297/461, 223,
297/423.41; 269/289 R, 13, 15, 14;
(Continued)

(56) **References Cited**

U.S. PATENT DOCUMENTS

D131,473 S 7/1941 Thelander
4,950,033 A 8/1990 Anderson

(Continued)

OTHER PUBLICATIONS

Original Step by The Step dated no date given. Found online [May
1, 2017]http://www.thestep.com/Original-Step-Silver-Black_
5?sc=7&category=1322.*

Primary Examiner — Robert M. Spear

Assistant Examiner — Ryan Harvey

(74) *Attorney, Agent, or Firm* — Troutman Sanders LLP;
Ryan A. Schneider; John A. Morrisett

(57) **CLAIM**

The ornamental design for a riser for an exercise platform,
as shown and described.

DESCRIPTION

FIG. 1 is a perspective view of a riser for an exercise
platform of the present invention;

FIG. 2 is a front view of the riser for an exercise platform
of FIG. 1;

FIG. 3 is a side view of the riser for an exercise platform of
FIG. 1;

FIG. 4 is a back view of the riser for an exercise platform of
FIG. 1;

FIG. 5 is another side view of the riser for an exercise
platform of FIG. 1;

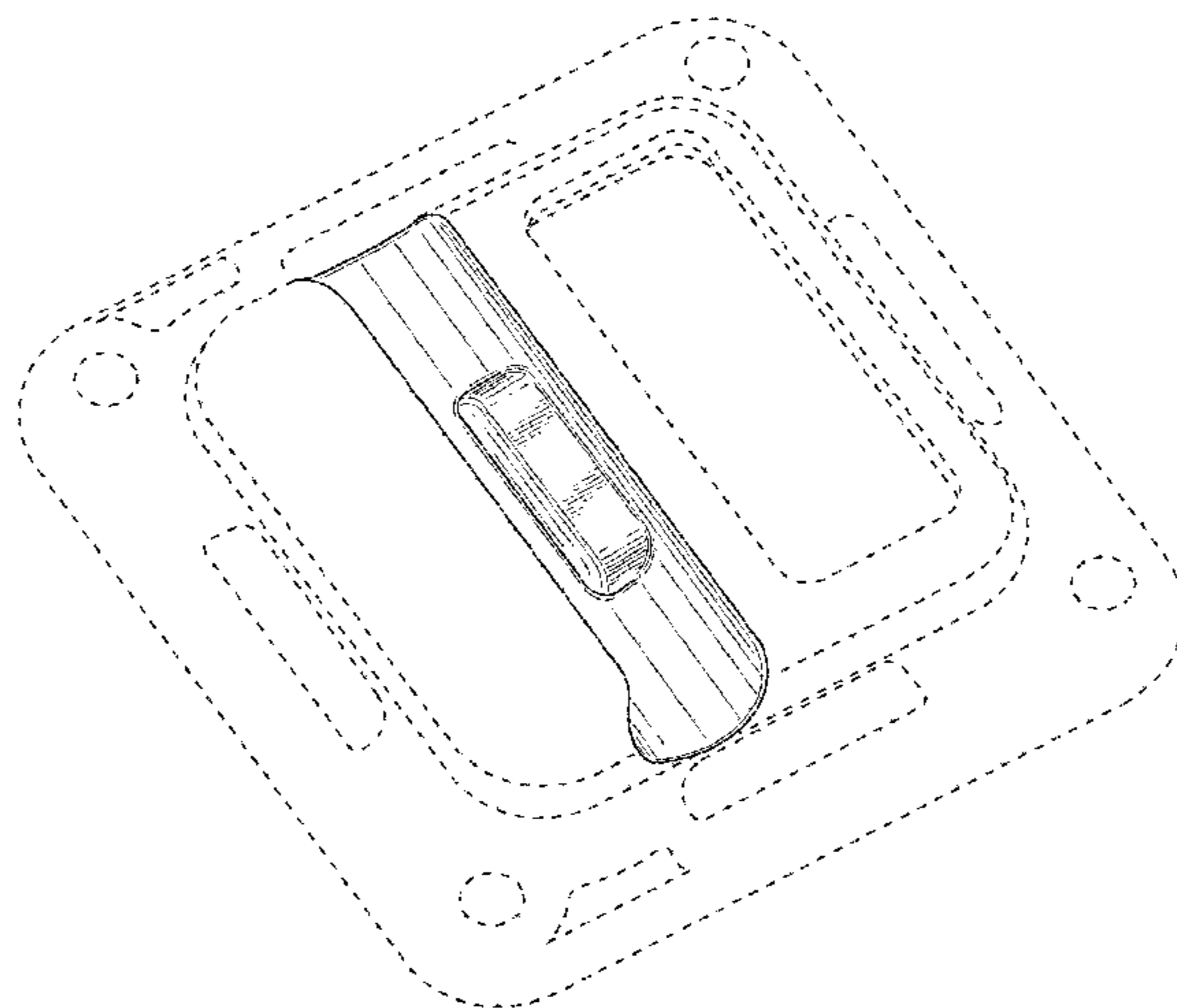
FIG. 6 is a top view of the riser for an exercise platform of
FIG. 1;

FIG. 7 is a bottom view of the riser for an exercise platform
FIG. 1; and,

FIG. 8 is a side view of the riser of FIG. 1 in use with an
exercise platform.

The dash-dot-dot-dash lines showing the riser for an exer-
cise platform in use with an exercise platform in FIG. 8 is
for the purpose of illustrating environment and forms no part
of the claimed design. The broken lines in FIGS. 1-8
illustrate unclaimed portions of the claimed design, and
form no part of the claimed design.

1 Claim, 6 Drawing Sheets



(58) **Field of Classification Search**

USPC 206/501, 514, 4.27, 8; 156/250, 256,
 156/272.8, 308.2, 330, 60, 213; 248/678;
 D7/698, 699, 629, 388; 220/4.26;
 217/3 R; D24/190, 191, 192, 167;
 D17/99; D3/294, 282, 905; D30/118;
 182/33; D99/17, 1; 428/122; 451/534,
 451/539; 482/142, 52, 51, 30, 74, 91,
 482/140, 25, 94; 446/117, 69; 473/278
 CPC A63B 22/001; A63B 22/0664; A63B
 23/0211; A63B 21/225; A63B 2022/067;
 A63B 2208/0204; A63B 22/203
 See application file for complete search history.

(56) **References Cited**

U.S. PATENT DOCUMENTS

D325,087 S 3/1992 Brinker
 D330,057 S 10/1992 Saunders
 D330,235 S 10/1992 Traetta et al.
 5,154,678 A 10/1992 Adamczyk et al.
 5,158,512 A 10/1992 Irwin et al.
 5,213,554 A * 5/1993 Goldstein A63B 23/0458
 108/19
 D337,362 S 7/1993 Goldstein et al.
 D339,179 S 9/1993 Wilkinson
 D342,298 S 12/1993 Schnabel, Jr. et al.
 D344,858 S * 3/1994 Leduc D6/349
 D346,621 S 5/1994 Dial
 D346,630 S * 5/1994 Van Der Hoeven D21/671
 D347,666 S * 6/1994 Hand D21/671
 D349,540 S 8/1994 Hand et al.
 D353,636 S 12/1994 Le Roux
 D355,988 S * 3/1995 Brooking D6/349
 D360,767 S * 8/1995 Fish D21/671
 5,749,555 A * 5/1998 Albrecht A47C 9/025
 108/53.3

6,117,051 A 9/2000 Suarez et al.
 D449,357 S 10/2001 Monter Villar et al.
 D449,662 S 10/2001 Monter Villar et al.
 D551,769 S * 9/2007 Skwarek D24/186
 D557,757 S 12/2007 Van Straaten
 D557,910 S 12/2007 Saunders et al.
 D560,260 S 1/2008 Flentye et al.
 D565,365 S 4/2008 Bizzell et al.
 D613,871 S 4/2010 Choi et al.
 7,922,624 B1 4/2011 Fairhurst et al.
 D650,184 S 12/2011 Hsu
 D662,685 S 6/2012 Parker et al.
 8,348,812 B2 1/2013 Elpers
 D677,892 S 3/2013 Van Ness
 D681,138 S * 4/2013 Hodgkins D21/671
 D681,750 S * 5/2013 Meyer-Hayoz D21/686
 D690,566 S 10/2013 Bernheim
 D694,593 S * 12/2013 Shofet D7/698
 D717,444 S 11/2014 Pastrick et al.
 D737,385 S * 8/2015 Woniger D21/671
 D737,908 S 9/2015 Kubitz
 D737,909 S 9/2015 Kubitz
 D739,481 S * 9/2015 Glickfield D21/671
 D775,285 S * 12/2016 Irwin D21/671
 D785,106 S * 4/2017 Panes D21/688
 2006/0189448 A1 8/2006 Flentye et al.
 2006/0189449 A1 8/2006 Flentye et al.
 2007/0108686 A1 5/2007 Casale et al.
 2008/0179803 A1 7/2008 Shew et al.
 2010/0029443 A1 * 2/2010 Kim A63B 23/0458
 482/52
 2011/0207583 A1 * 8/2011 Elpers A63B 23/0458
 482/52
 2013/0049275 A1 2/2013 Morgan
 2013/0256963 A1 10/2013 Shofet et al.
 2014/0087930 A1 3/2014 Burns et al.
 2014/0311361 A1 10/2014 Wangler
 2016/0199689 A1 * 7/2016 Irwin A63B 23/0458
 482/142

* cited by examiner

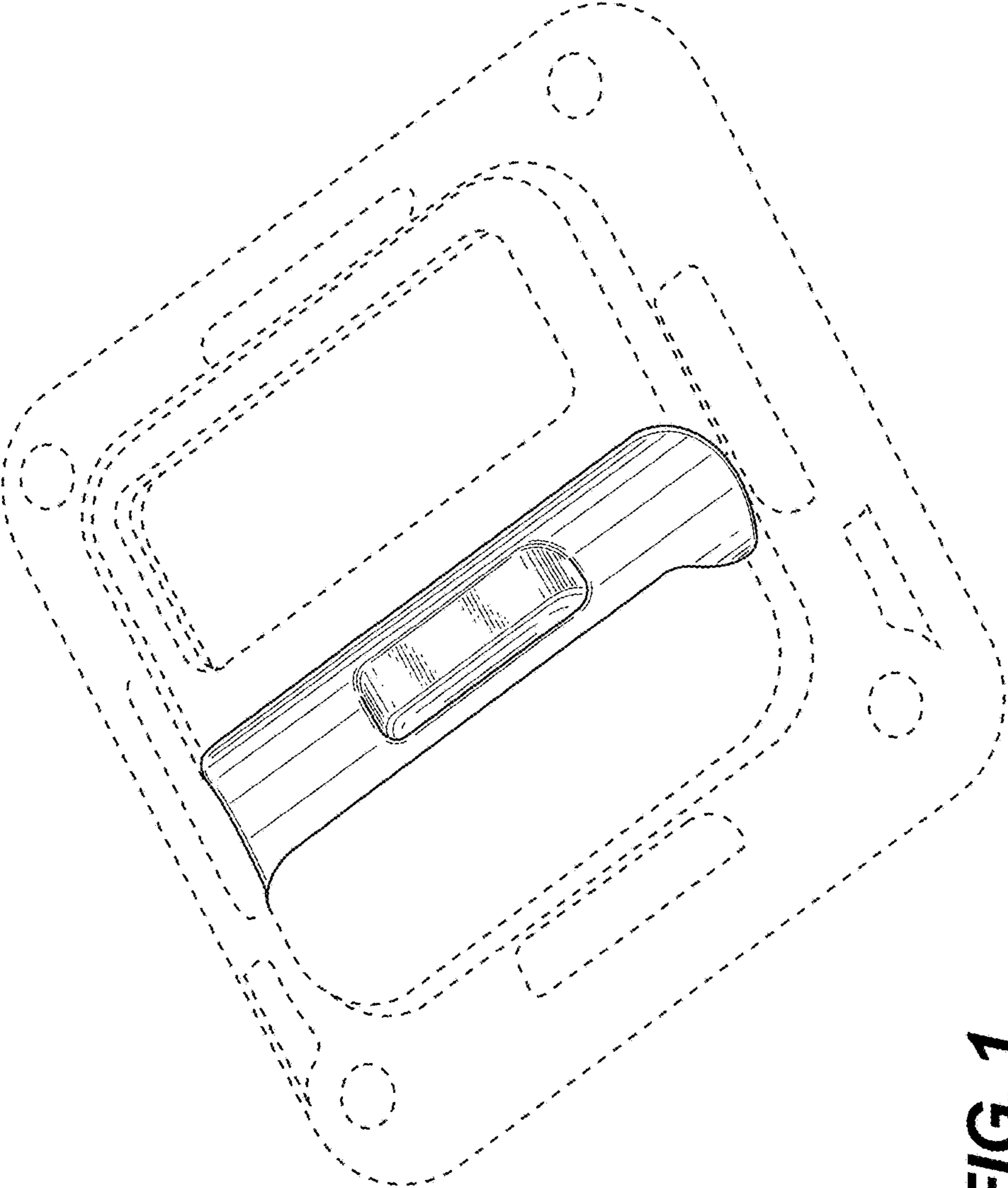


FIG. 1

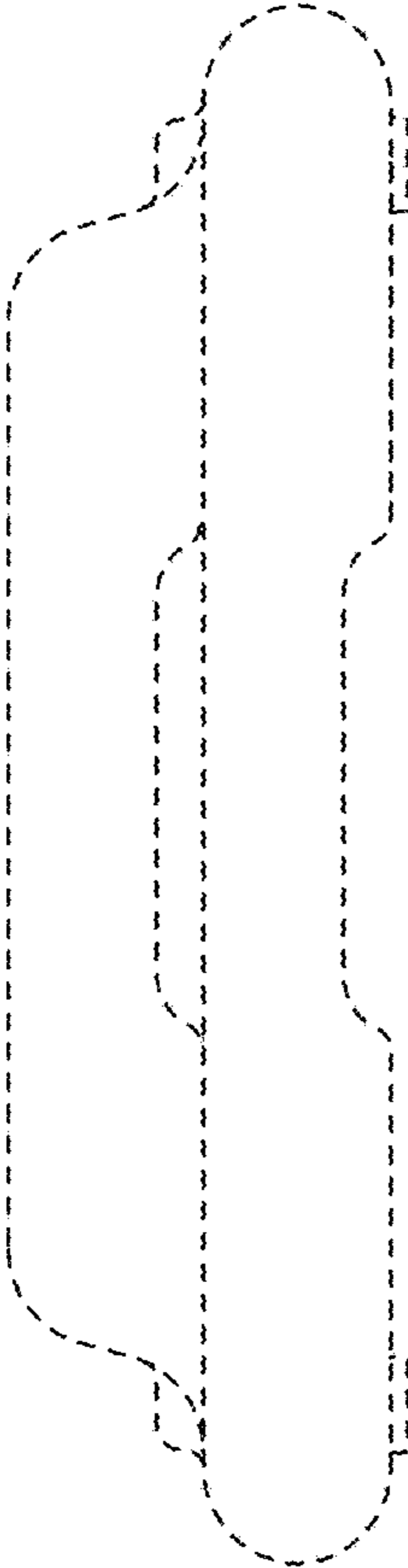


FIG. 2

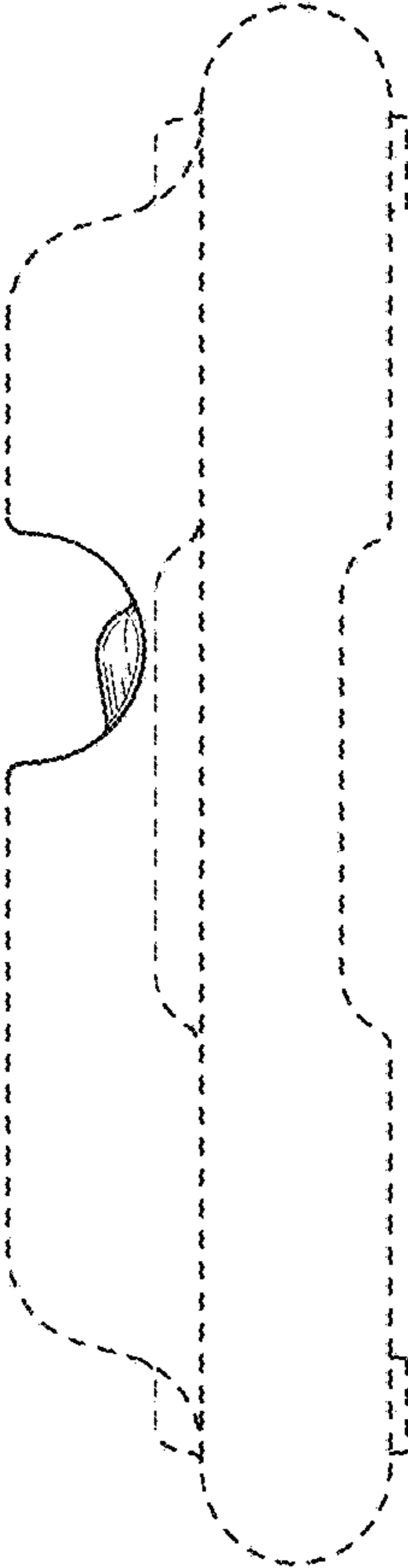


FIG. 3

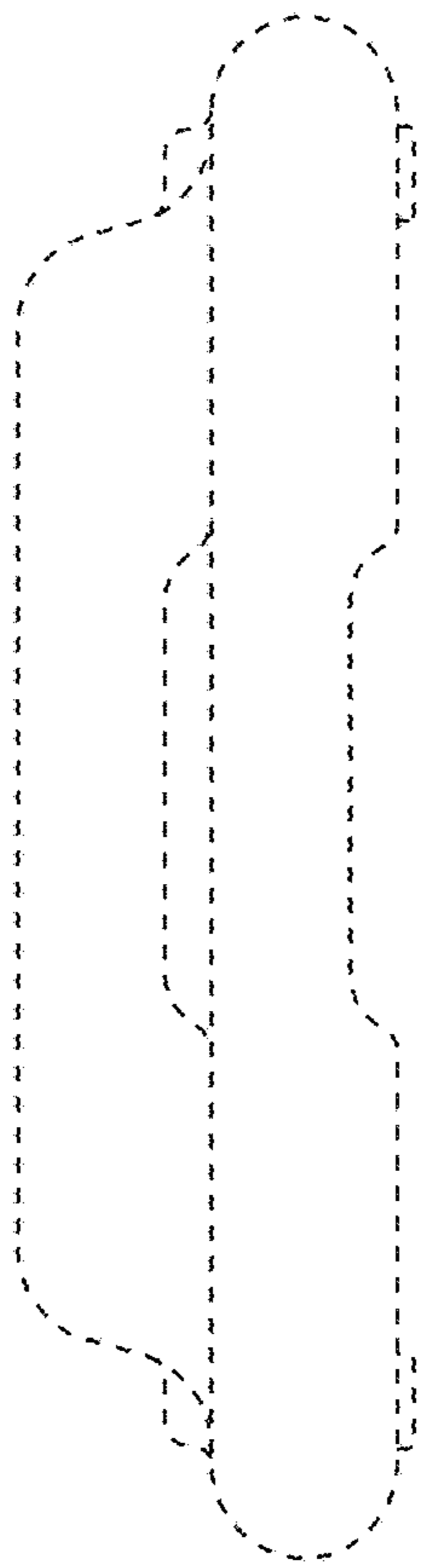


FIG. 4

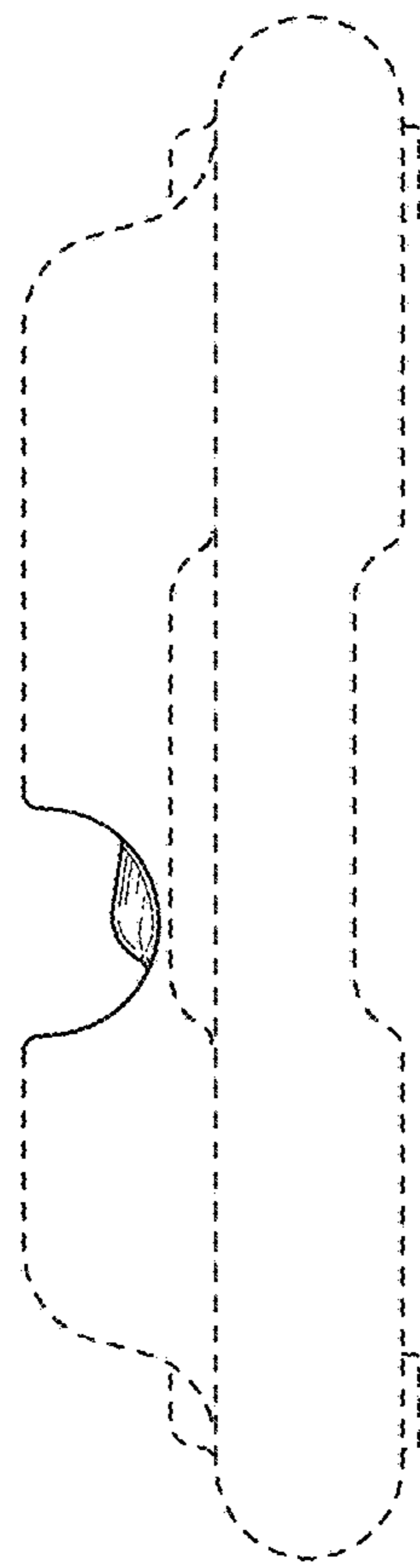


FIG. 5

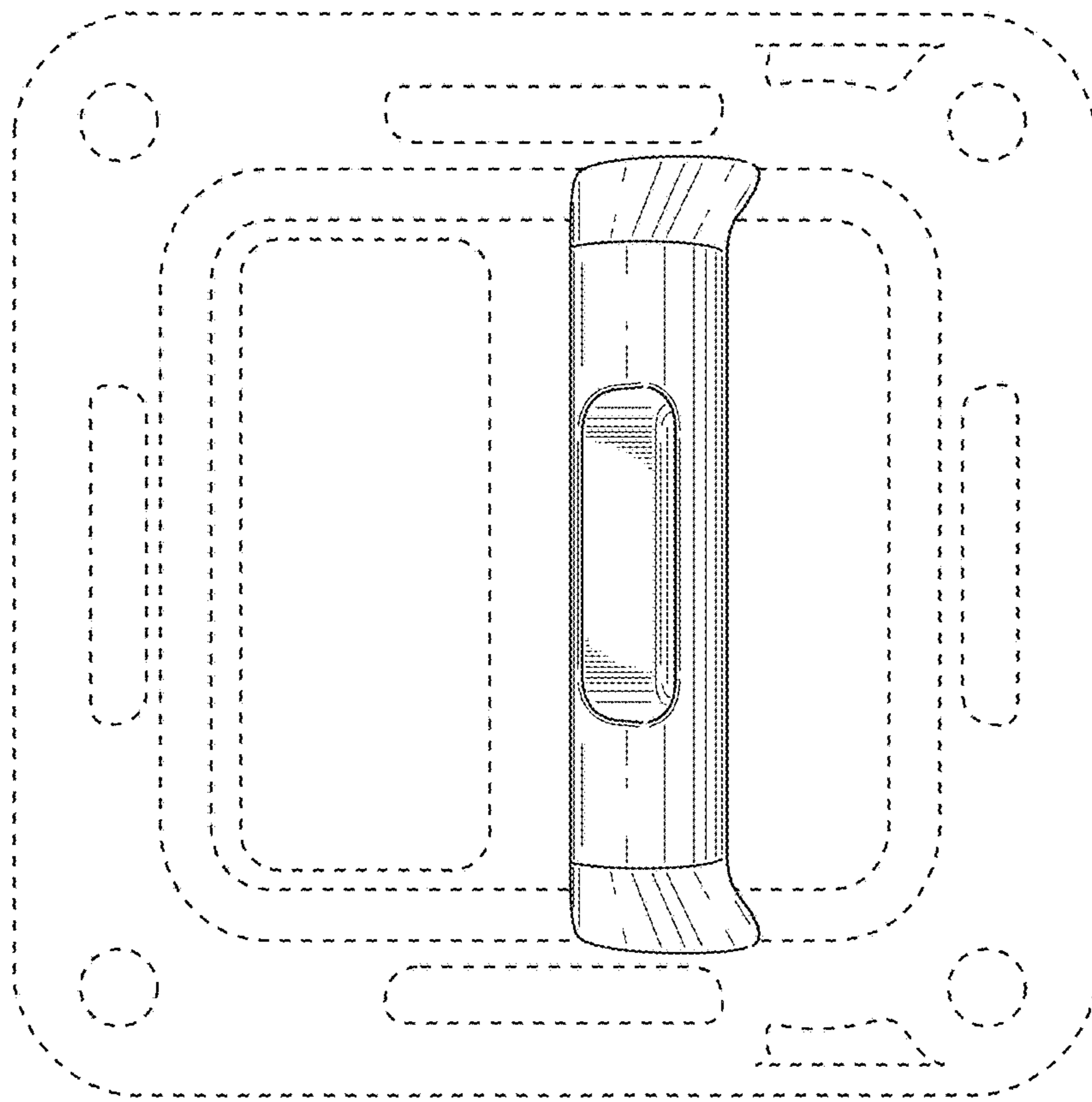


FIG. 6

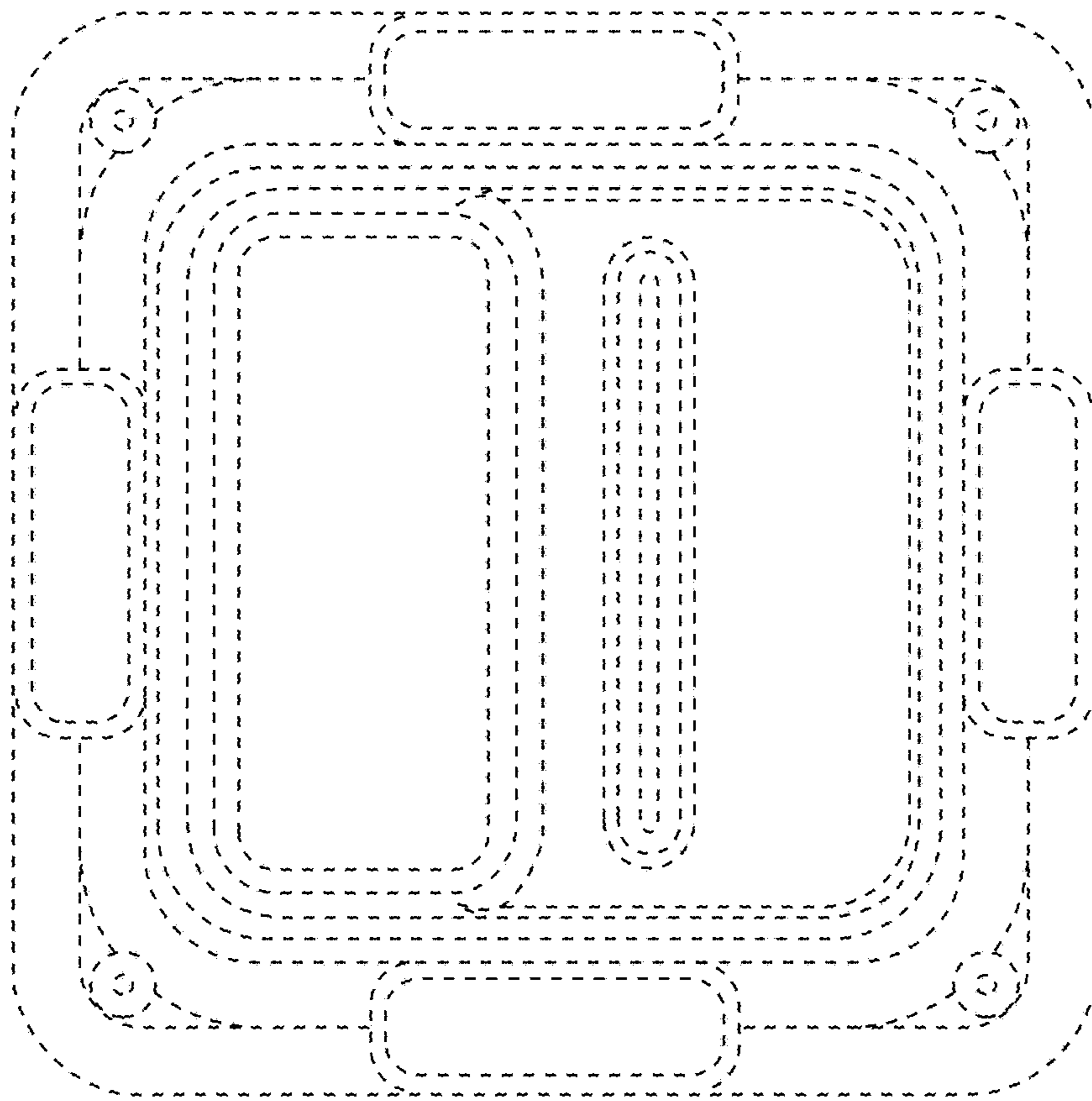


FIG. 7

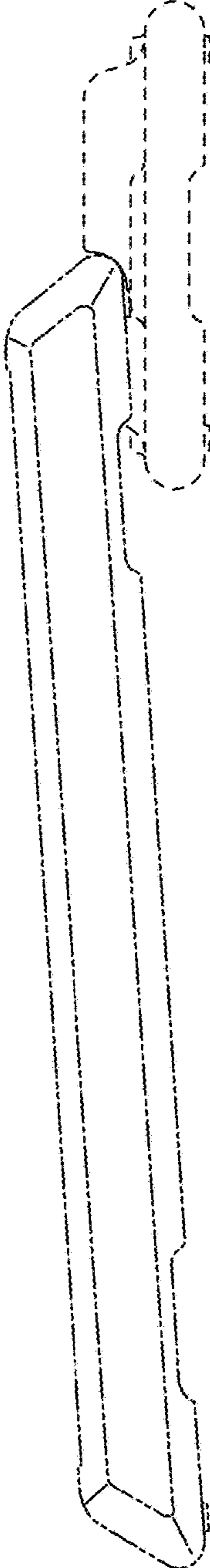


FIG. 8