



US00D809073S

(12) **United States Design Patent**
Jordan

(10) **Patent No.:** **US D809,073 S**
(45) **Date of Patent:** **** Jan. 30, 2018**

- (54) **LEG PRESS**
- (71) Applicant: **Davey Jordan**, Hollywood, CA (US)
- (72) Inventor: **Davey Jordan**, Hollywood, CA (US)
- (**) Term: **15 Years**
- (21) Appl. No.: **29/564,160**
- (22) Filed: **May 11, 2016**
- (51) **LOC (11) Cl.** **21-02**
- (52) **U.S. Cl.**
USPC **D21/690**
- (58) **Field of Classification Search**
USPC D21/690, 676, 687, 674, 673, 675, 689,
D21/686; 482/140, 142, 126, 144, 92,
482/143, 123, 133, 138, 95, 131, 130,
482/135, 72, 52, 57, 93, 96, 127, 100,
482/118, 136, 97, 112, 9
CPC A63B 23/0211; A63B 2208/0233; A63B
21/4047; A63B 21/068; A63B 21/0628;
A63B 23/0233; A63B 21/4035; A63B
23/0227; A63B 23/0216; A63B
2208/0252; A63B 23/0405; A63B
21/4029; A63B 21/0004
See application file for complete search history.

- (56) **References Cited**
U.S. PATENT DOCUMENTS
5,169,363 A * 12/1992 Campanaro A63B 21/068
482/142
5,387,171 A * 2/1995 Casey A63B 21/0552
482/130
5,484,365 A * 1/1996 Jones A63B 21/0615
482/100
5,554,090 A * 9/1996 Jones A63B 21/0615
482/134
5,762,590 A * 6/1998 St. Fleur A63B 23/085
482/104
5,827,154 A * 10/1998 Gill A63B 21/153
482/101

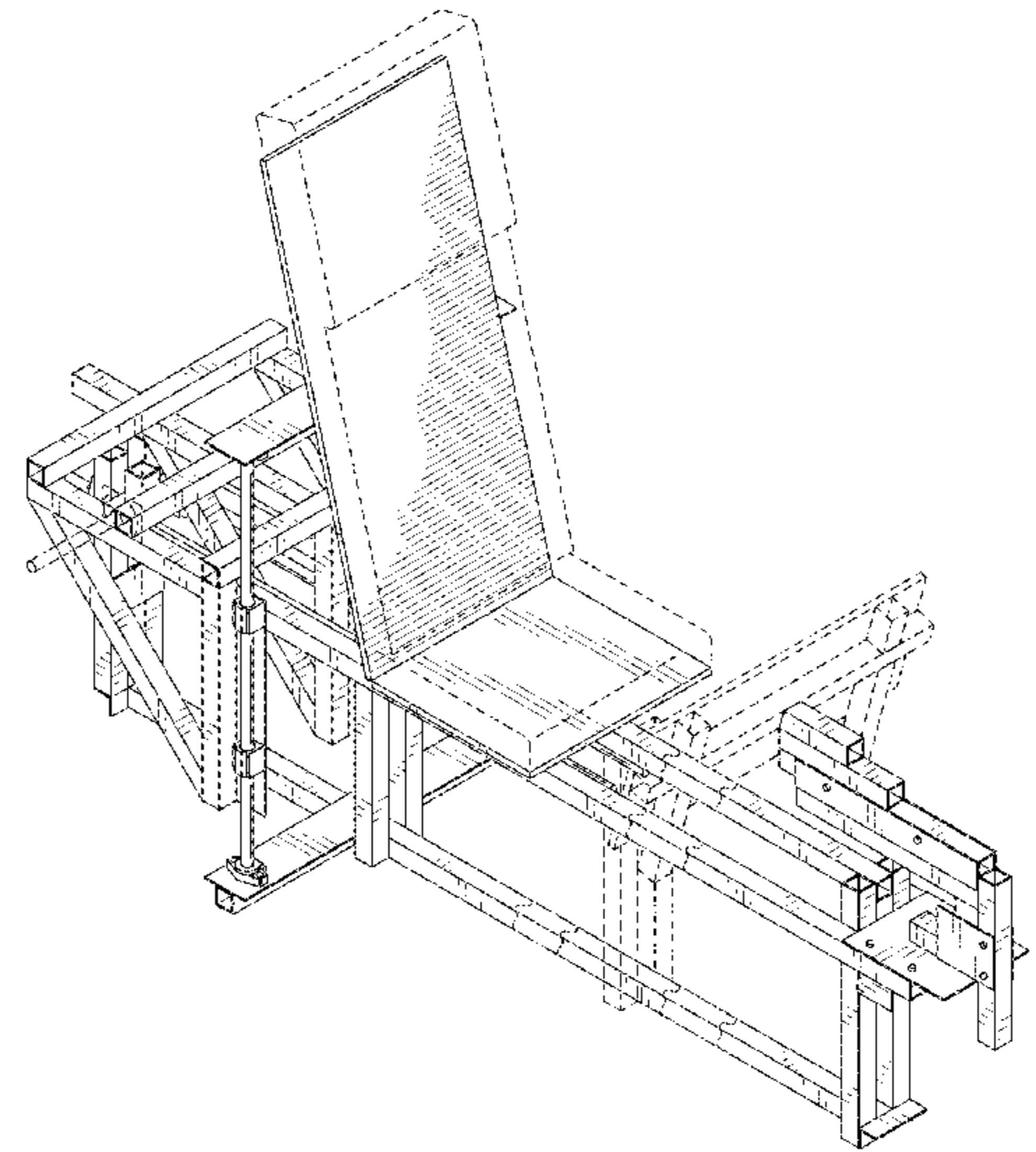
- D405,132 S * 2/1999 Westfall D21/676
 - 5,967,955 A * 10/1999 Westfall A63B 21/068
482/142
 - D431,615 S * 10/2000 Webber D21/675
 - D438,918 S * 3/2001 Batca D21/675
 - 6,478,721 B1 * 11/2002 Hunter A63B 21/0085
482/140
 - D481,428 S * 10/2003 Giannelli D21/675
 - D493,853 S * 8/2004 Campanaro D21/676
 - 7,004,891 B2 * 2/2006 Morris A63B 23/0405
482/101
 - 7,070,545 B2 * 7/2006 Lull A63B 23/0405
482/100
 - D608,401 S * 1/2010 Campanaro D21/662
 - D612,000 S * 3/2010 Campanaro D21/662
- (Continued)

Primary Examiner — Robert M. Spear
Assistant Examiner — Ryan Harvey
 (74) *Attorney, Agent, or Firm* — Dunlap Bennett & Ludwig PLLC; Brendan E. Squire

(57) **CLAIM**
 The ornamental design for a leg press, as shown and described.

DESCRIPTION
 FIG. 1 is a top front perspective view of the leg press;
 FIG. 2 is a front elevation view of the leg press, with the rear elevation view being a mirror image thereof;
 FIG. 3 is a top plan view thereof;
 FIG. 4 is a bottom plan view thereof;
 FIG. 5 is a right elevation view thereof; and,
 FIG. 6 is a left elevation view thereof.
 In the drawings, the evenly-spaced broken line showing of portions of the leg press depicts environment and forms no part of the claim; the dash-dot-dash lines represent symbolic breaks in the claimed designs length. The appearance of any portion of the article between the break lines forms no part of the claimed design.

1 Claim, 6 Drawing Sheets



(56)

References Cited

U.S. PATENT DOCUMENTS

7,862,490	B2 *	1/2011	Glynn	A63L 321/154 482/100
D635,205	S *	3/2011	Thulin	D21/676
8,425,384	B2 *	4/2013	Garner	A63B 21/00 482/133
D741,960	S *	10/2015	Campanaro	D21/676
D788,861	S *	6/2017	Campanaro	D21/674
9,770,622	B2 *	9/2017	Campanaro	A63B 21/00065
2003/0158018	A1 *	8/2003	Giannelli	A63B 21/068 482/95
2007/0203004	A1 *	8/2007	Campanaro	A63B 21/068 482/142
2010/0062916	A1 *	3/2010	Campanaro	A63B 21/068 482/142
2010/0227748	A1 *	9/2010	Campanaro	A63B 21/068 482/140
2010/0234199	A1 *	9/2010	Campanaro	A63B 21/068 482/142
2011/0009249	A1 *	1/2011	Campanaro	A63B 21/068 482/131
2012/0053028	A1 *	3/2012	Campanaro	A63B 21/00072 482/131
2014/0194260	A1 *	7/2014	Campanaro	A63B 21/068 482/131
2015/0246263	A1 *	9/2015	Campanaro	A63B 23/03566 482/52
2016/0107023	A1 *	4/2016	Campanaro	A63B 22/0087 482/72
2016/0107024	A1 *	4/2016	Campanaro	A63B 22/205 482/130

* cited by examiner

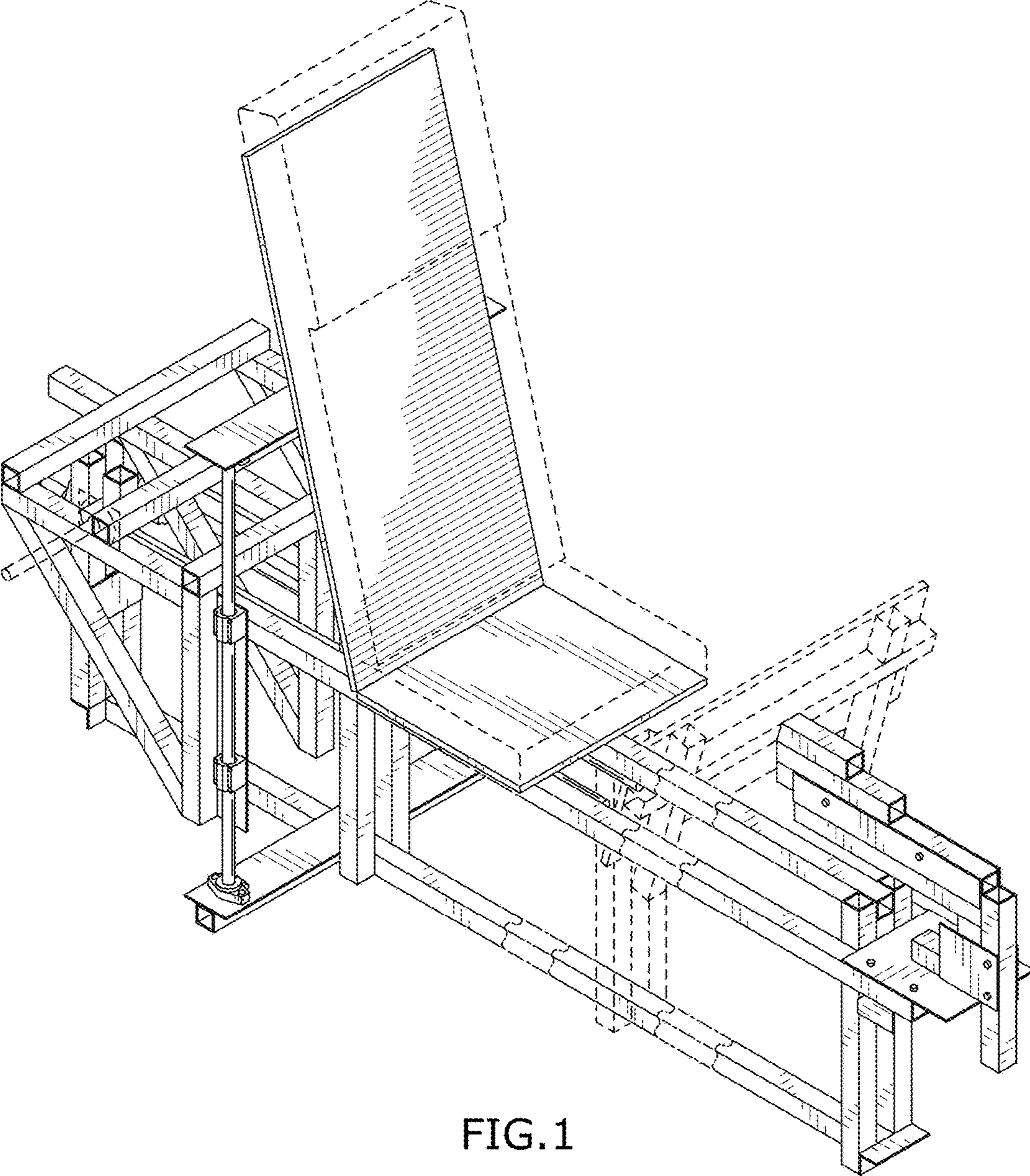


FIG. 1

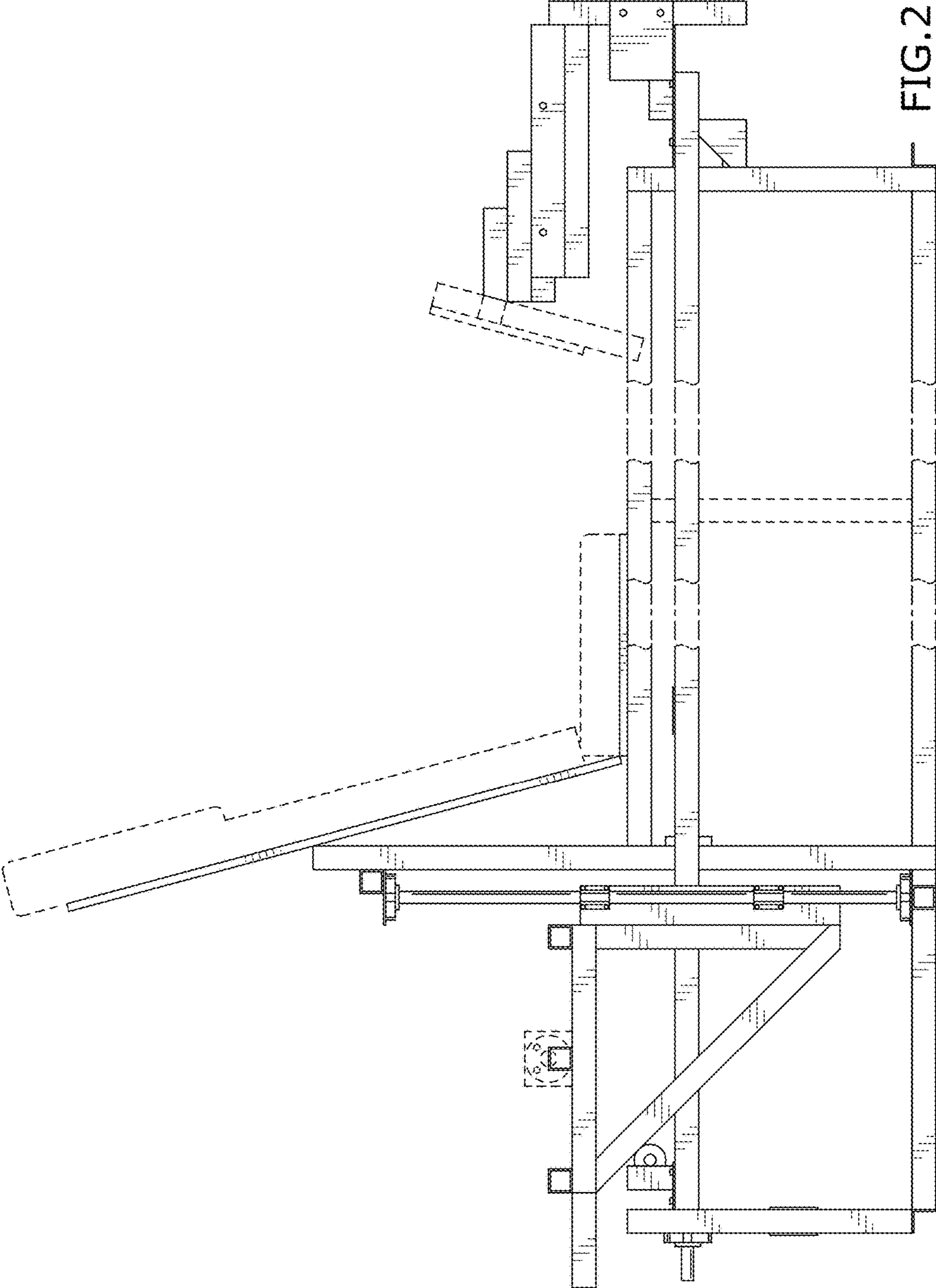


FIG. 2

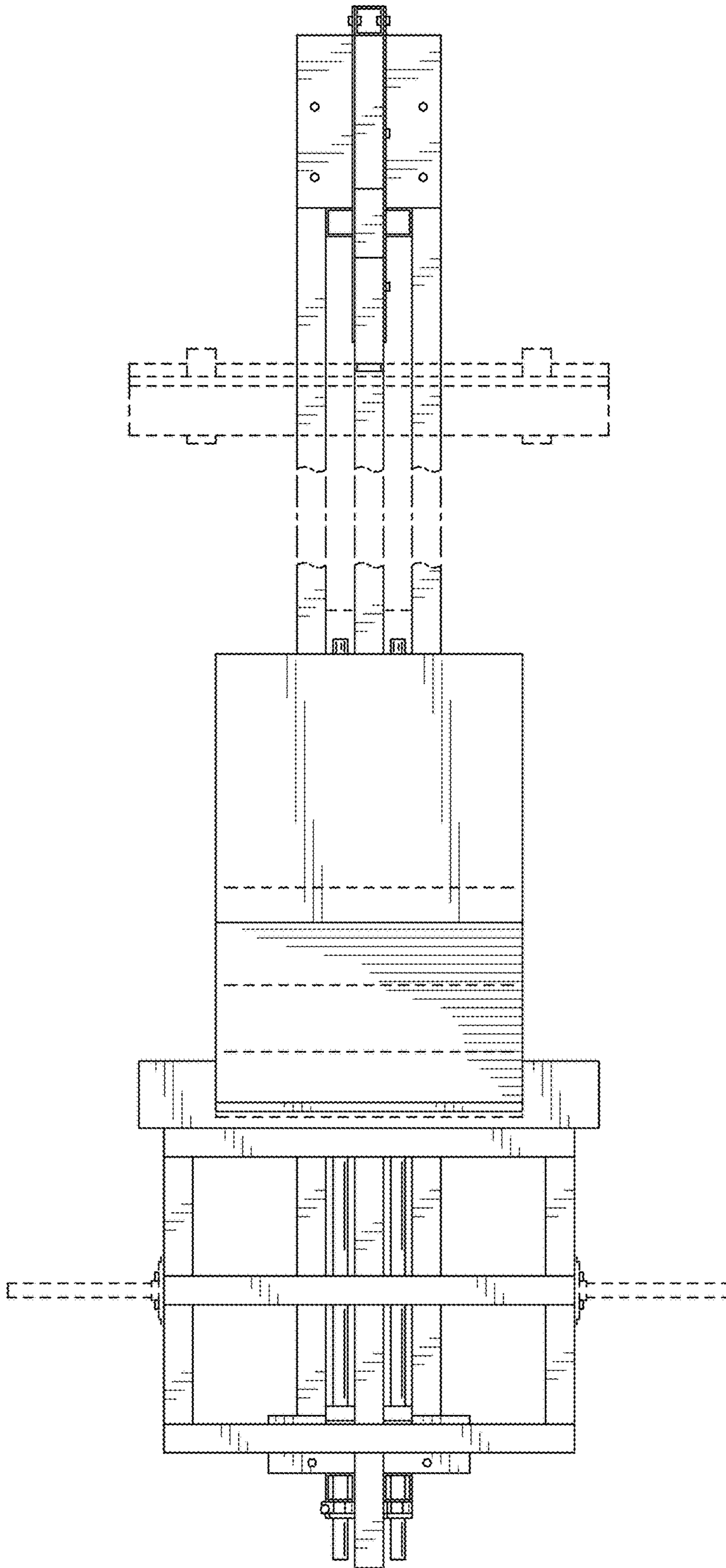


FIG. 3

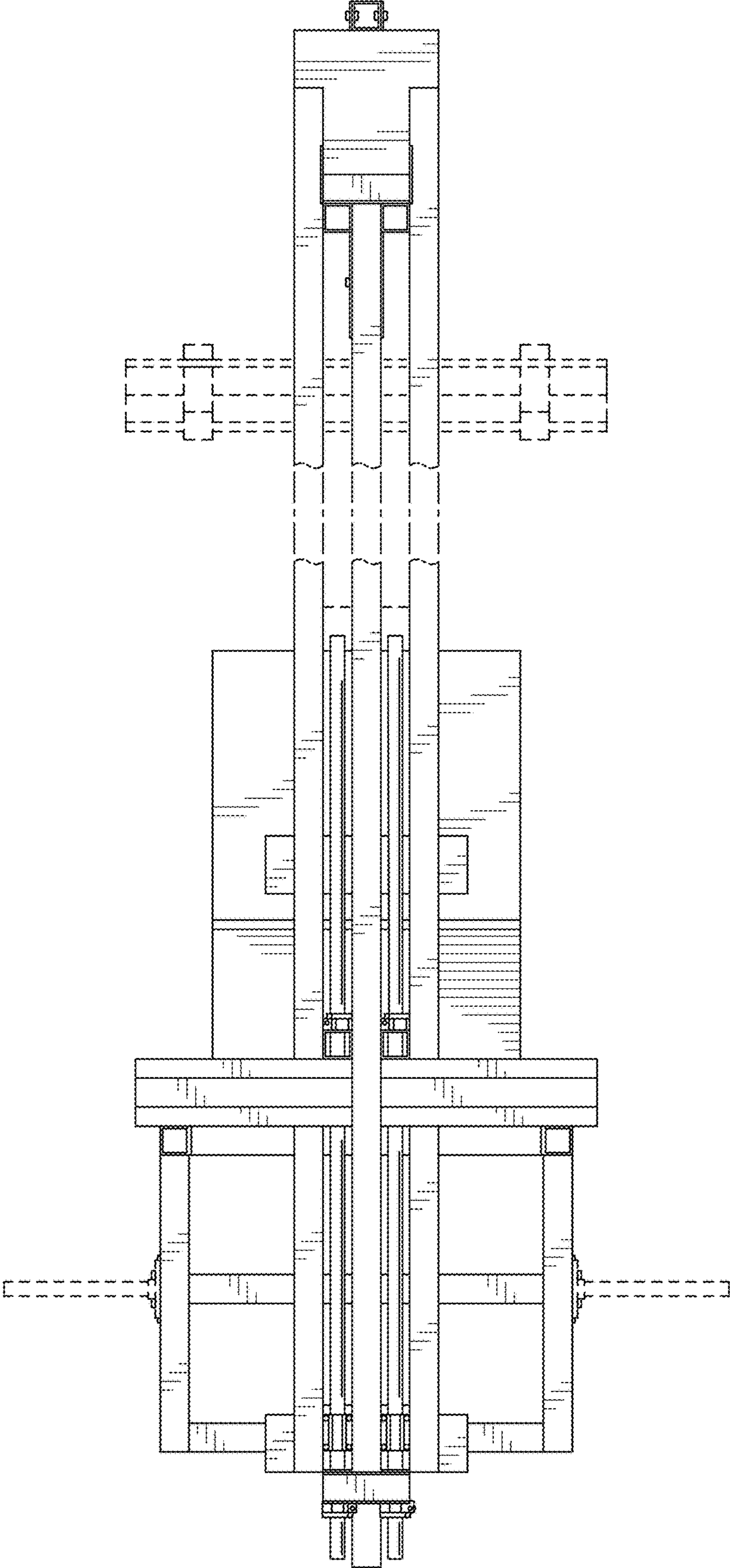


FIG. 4

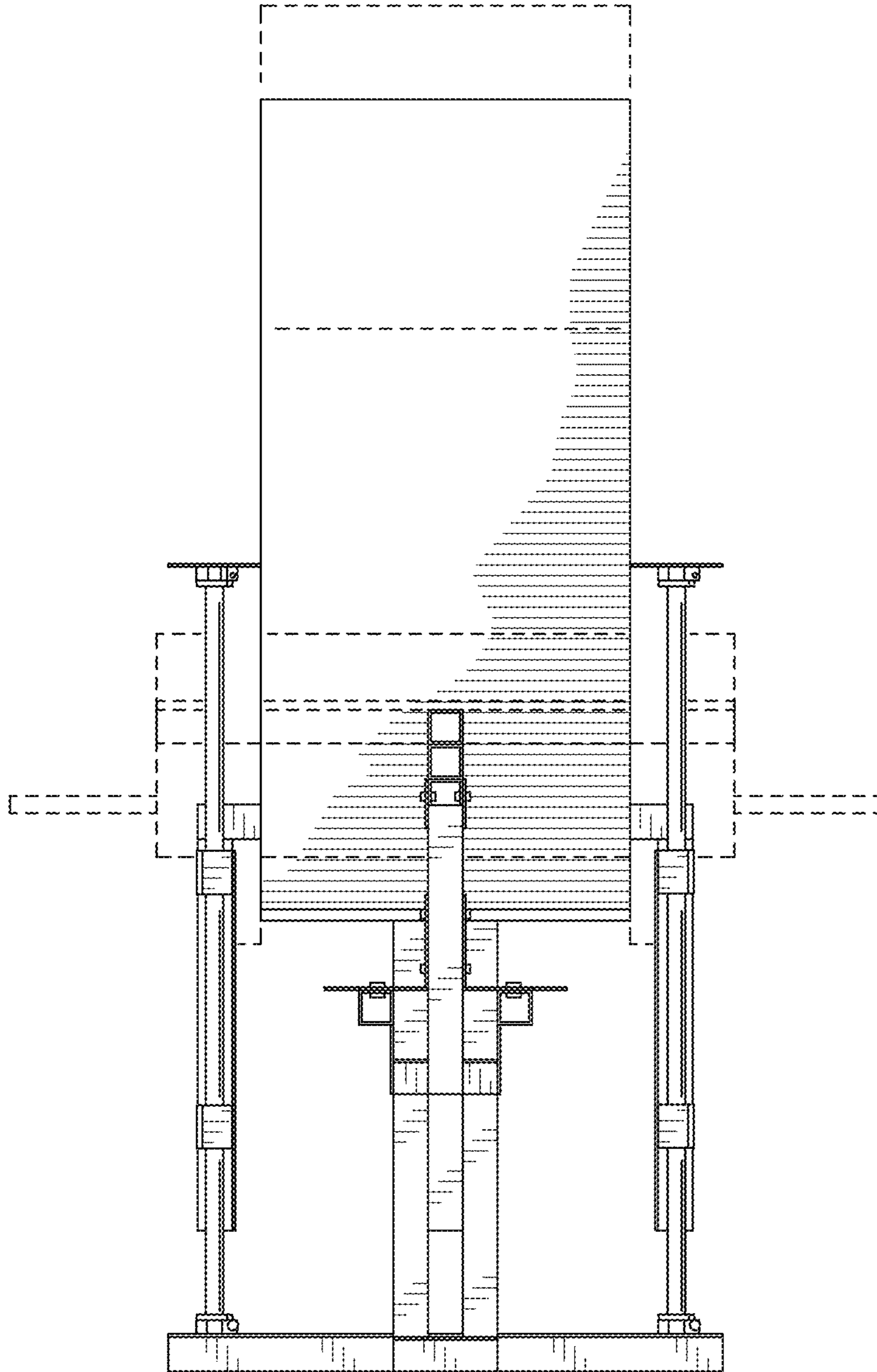


FIG. 5

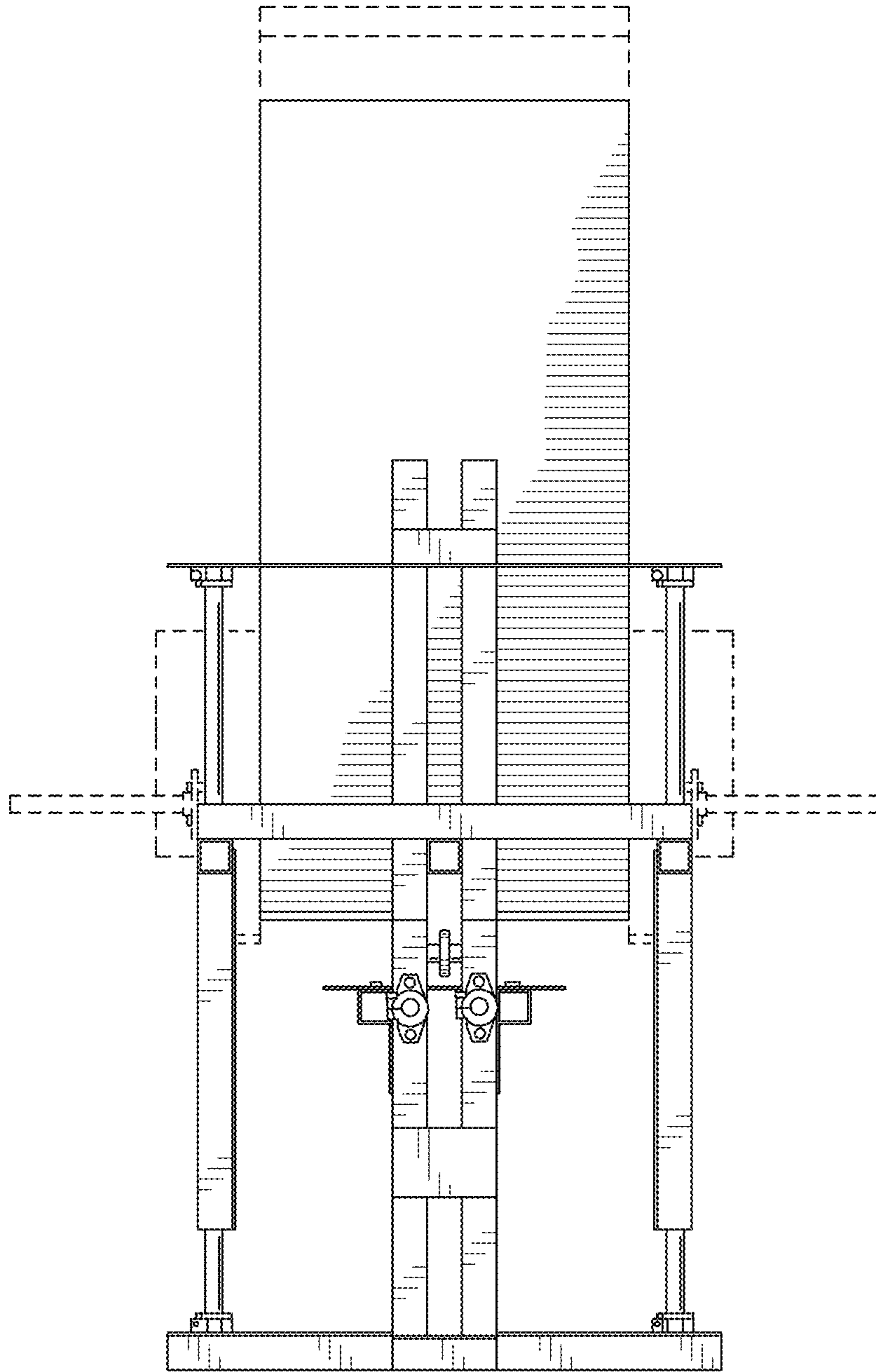


FIG. 6