



US00D809071S

(12) **United States Design Patent**  
**Liu et al.**

(10) **Patent No.:** **US D809,071 S**  
(45) **Date of Patent:** **\*\* Jan. 30, 2018**

(54) **CONSTRUCTION SET BLOCK**

(71) Applicant: **UBTECH Robotics Corp.**, Shenzhen (CN)

(72) Inventors: **Lefeng Liu**, Shenzhen (CN); **Yumiao Wu**, Shenzhen (CN); **Dingkai Xing**, Shenzhen (CN); **Xiongyuan Fang**, Shenzhen (CN); **Xinpu Chen**, Shenzhen (CN)

(73) Assignee: **UBTECH ROBOTICS CORP.**, Shenzhen (CN)

(\*\*) Term: **15 Years**

(21) Appl. No.: **29/576,585**

(22) Filed: **Sep. 6, 2016**

(30) **Foreign Application Priority Data**

Mar. 24, 2016 (CN) ..... 2016 1 0176847

(51) **LOC (11) Cl.** ..... **21-01**

(52) **U.S. Cl.**  
USPC ..... **D21/486**; D21/491

(58) **Field of Classification Search**  
USPC ..... D21/478, 479, 484, 485–505; 446/69, 446/85, 102–128; 434/208, 259, 403; 273/153, 156, 160; 428/174  
CPC ..... A63H 33/00; A63H 33/04; A63H 33/06; A63H 33/08; A63H 33/10; A63H 33/12; A63H 33/14; A63F 9/08; A63F 9/12; G09B 1/36  
See application file for complete search history.

(56) **References Cited**

**U.S. PATENT DOCUMENTS**

D295,644 S \* 5/1988 Takahashi ..... D21/495  
D345,398 S \* 3/1994 Plagborg ..... D21/485

D380,791 S \* 7/1997 Gabriel ..... D21/491  
D528,170 S \* 9/2006 Kim ..... D21/486  
D532,054 S \* 11/2006 Kim ..... D21/486  
D713,474 S \* 9/2014 Roberson ..... D21/484  
D765,797 S \* 9/2016 Banik ..... D21/484  
D776,829 S \* 1/2017 Malpesa Guerrero ..... D25/115  
D776,830 S \* 1/2017 Malpesa Guerrero ..... D25/115  
D776,831 S \* 1/2017 Malpesa Guerrero ..... D25/115  
D783,730 S \* 4/2017 Sprague ..... D21/486  
D783,731 S \* 4/2017 Rosan ..... D21/486  
9,636,602 B1 \* 5/2017 Samo ..... A63H 33/086

\* cited by examiner

*Primary Examiner* — Cynthia M Chin

(57) **CLAIM**

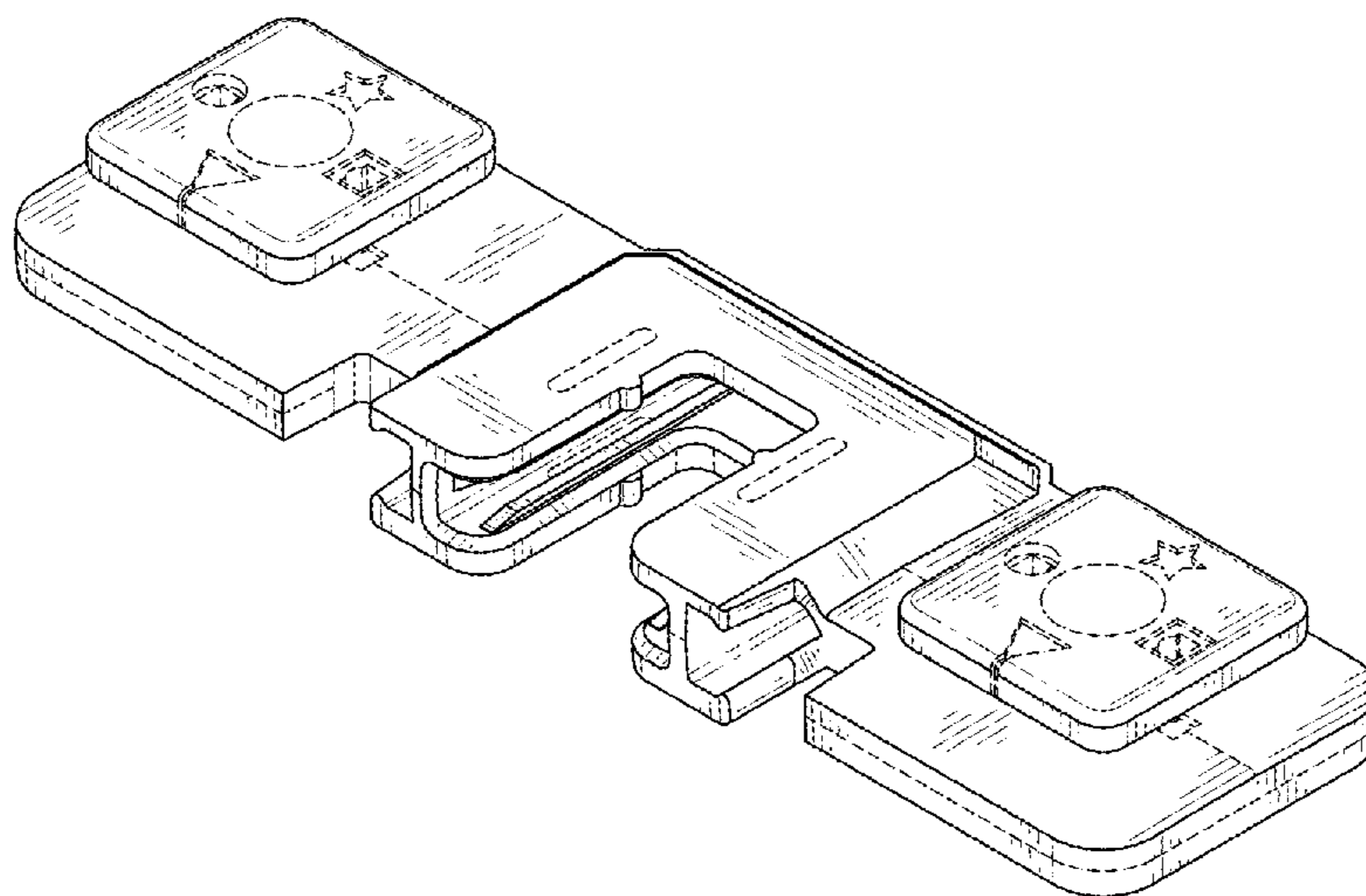
The ornamental design for a construction set block, as shown and described.

**DESCRIPTION**

FIG. 1 is a first perspective view of a construction set block showing our new design;  
FIG. 2 is a second perspective view of the construction set block showing our new design;  
FIG. 3 is a front elevational view thereof;  
FIG. 4 is a rear elevational view thereof;  
FIG. 5 is a left side elevational view thereof;  
FIG. 6 is a right side elevational view thereof;  
FIG. 7 is a top plan view thereof; and,  
FIG. 8 is a bottom plan view thereof.

The broken lines in the Figures are for the purpose of illustrating portions of the article that form no part of the claimed design. The broken lines and the unshaded surfaces within are included to identify parts of the article's appearance that form no part of the claimed design. The intermittent broken lines represent the bounds of the claim which form no part of the claimed design.

**1 Claim, 8 Drawing Sheets**



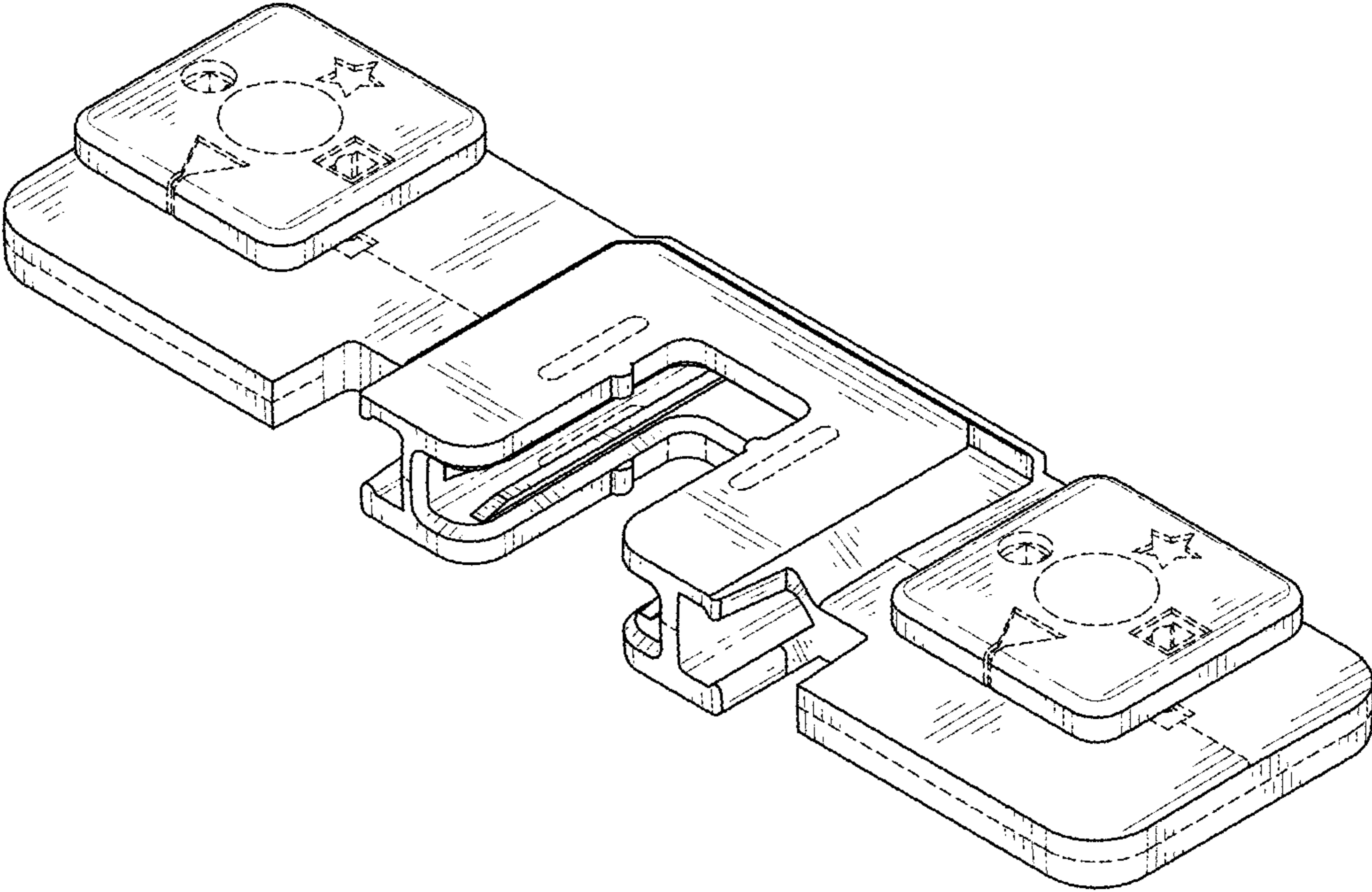


FIG. 1

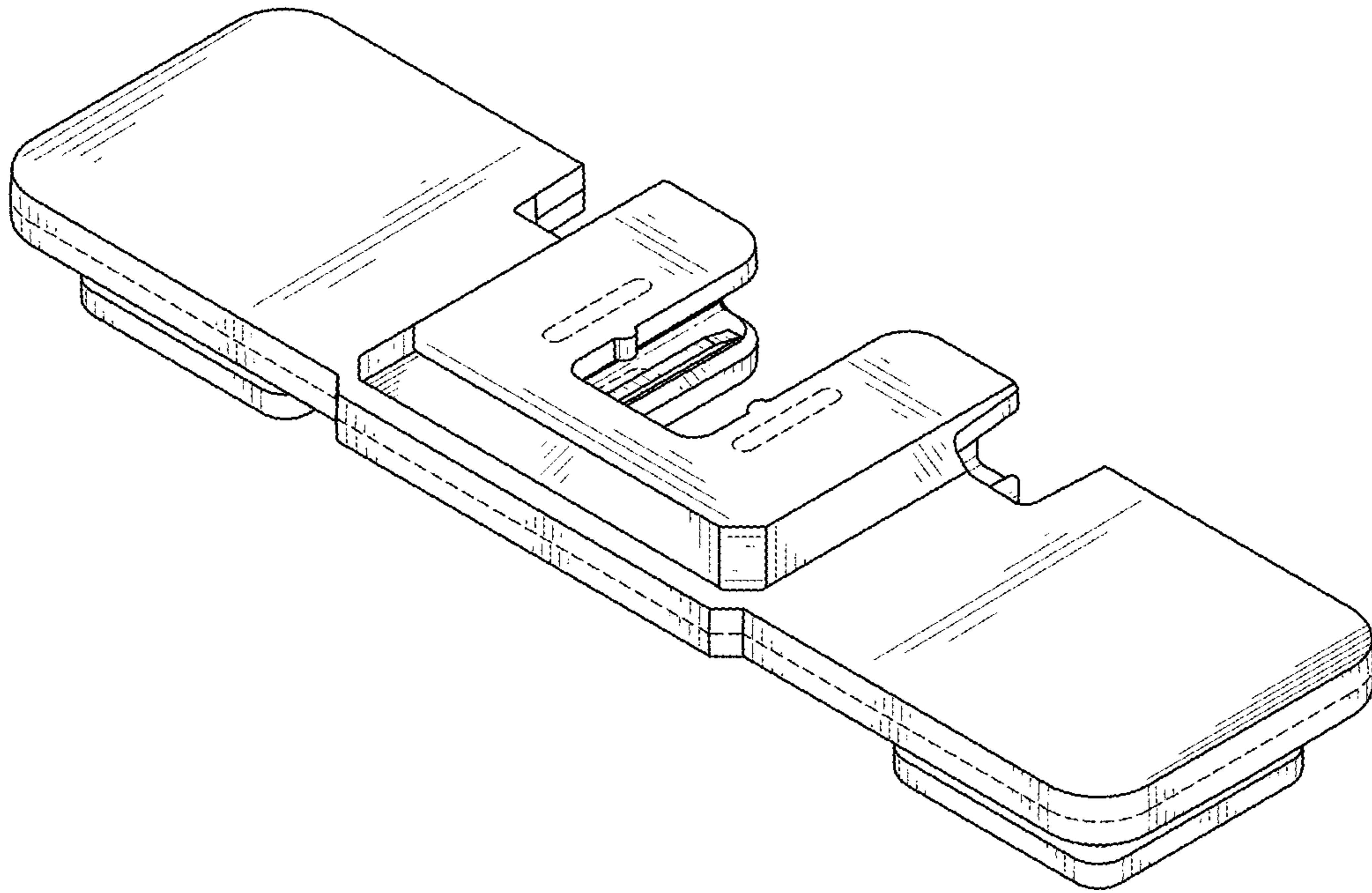


FIG. 2

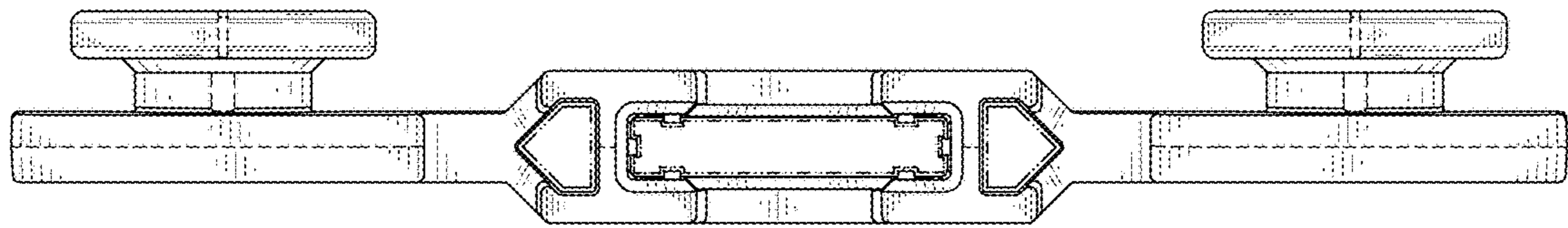


FIG. 3

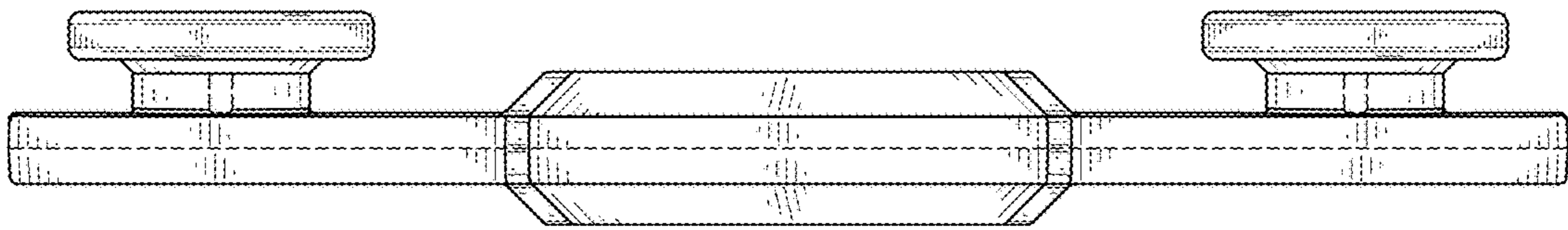


FIG. 4

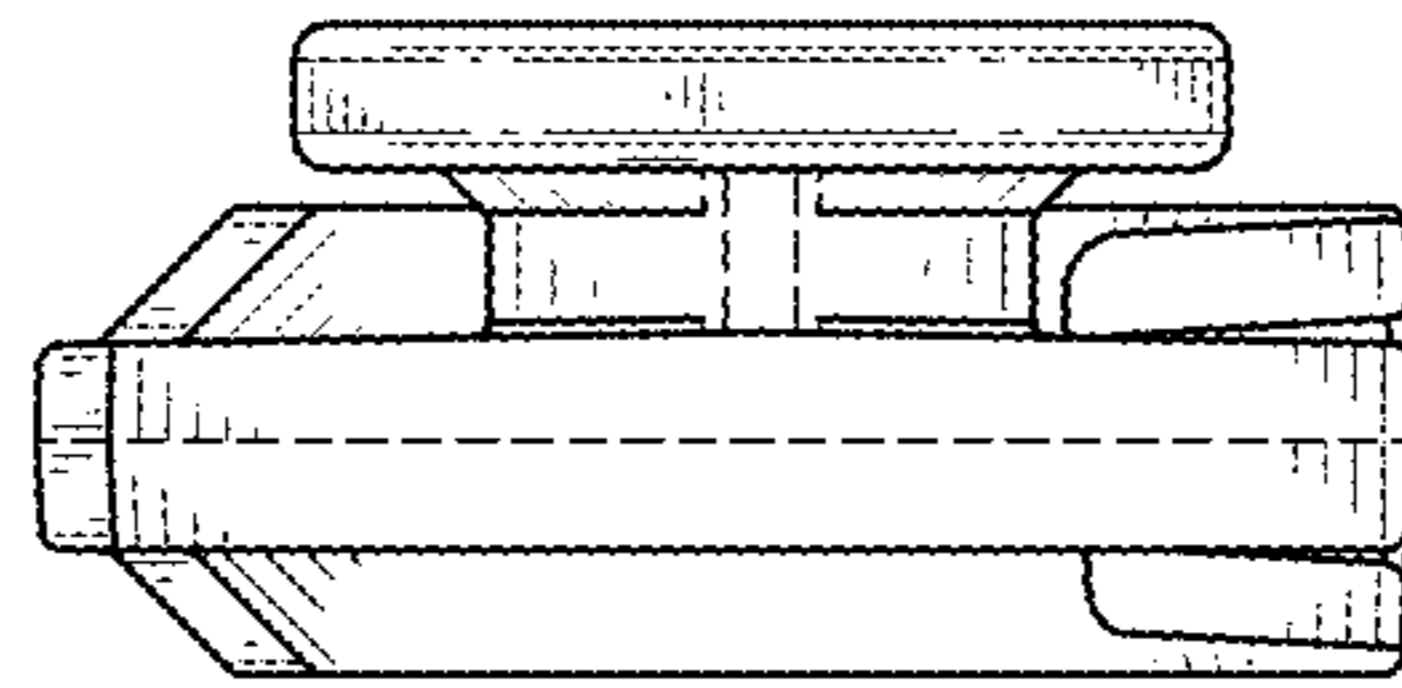


FIG. 5

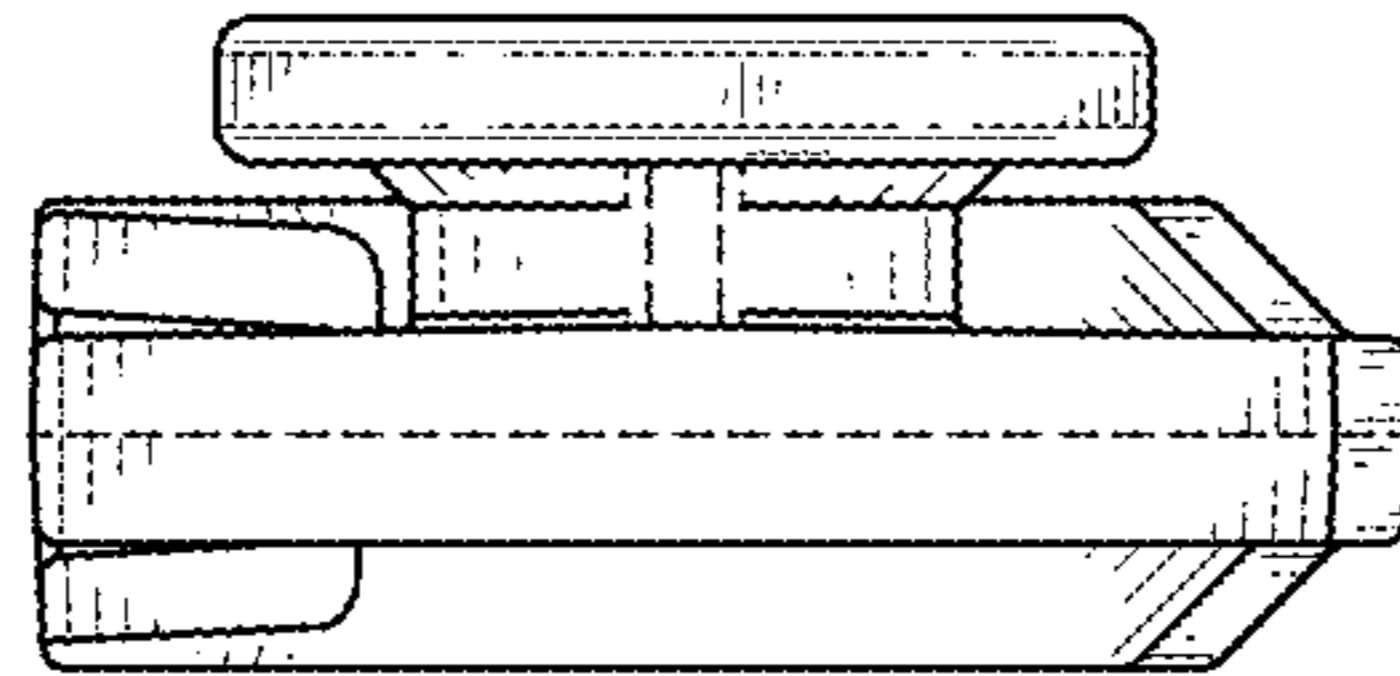


FIG. 6

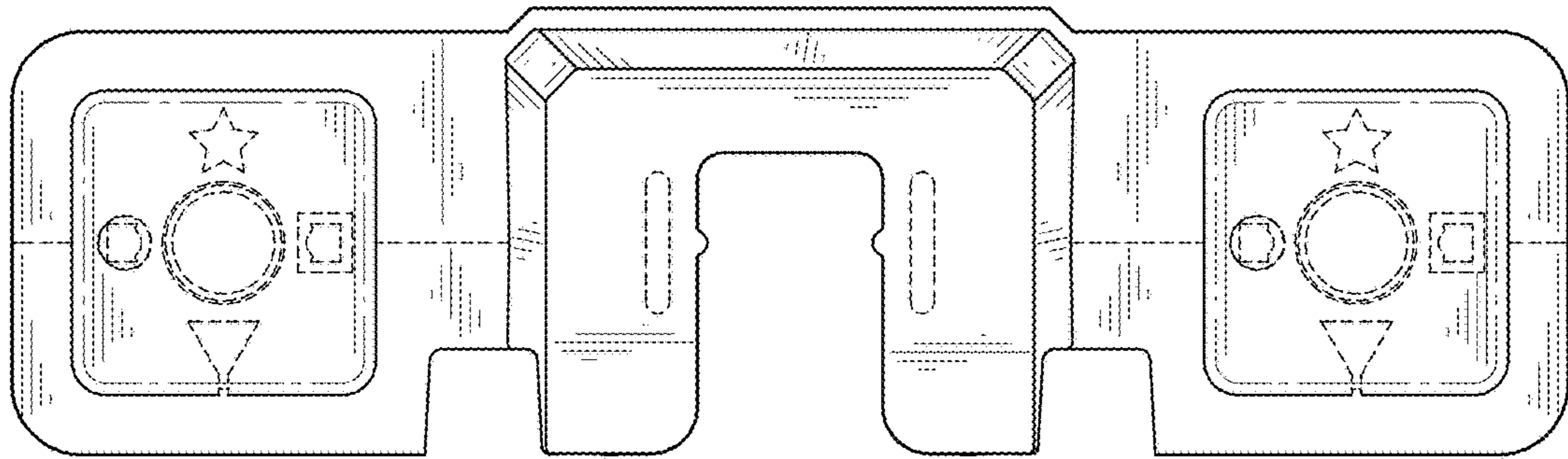


FIG. 7



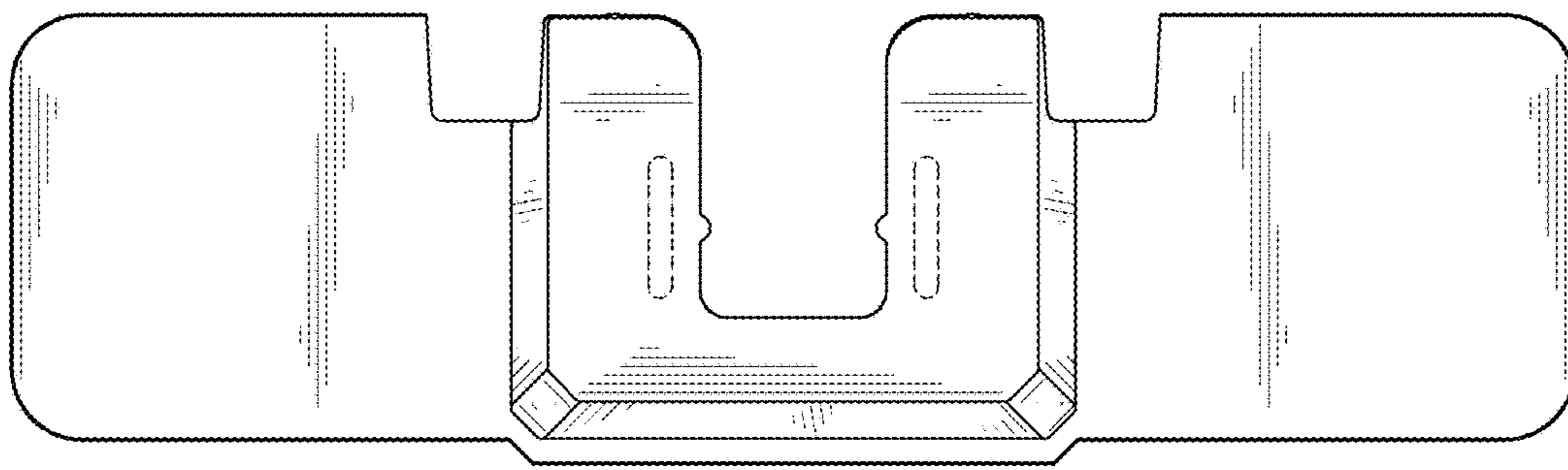


FIG. 8