



US00D809070S

(12) **United States Design Patent** (10) **Patent No.:** **US D809,070 S**  
**Fissell et al.** (45) **Date of Patent:** **\*\* Jan. 30, 2018**

(54) **BACK-ILLUMINATED TRANSLUCENT GAMING TABLE**

FOLDING-TAILGATE/dp/B00MQZG18 depicting Beer Pong Table, 5 pgs. Accessed May 22, 2015.

(Continued)

(71) Applicant: **FISSELL BROS, INC.**, San Luis Obispo, CA (US)

*Primary Examiner* — George D. Kirschbaum  
(74) *Attorney, Agent, or Firm* — Morgan, Lewis & Bockius LLP; Brett A. Lovejoy

(72) Inventors: **Jeremy Fissell**, San Luis Obispo, CA (US); **Nathan Fissell**, North Hollywood, CA (US)

(57) **CLAIM**

The ornamental design for a back-illuminated translucent gaming table, as shown and described.

(73) Assignee: **FISSELL BROS, INC.**, San Luis Obispo, CA (US)

**DESCRIPTION**

(\*\*) Term: **15 Years**

The patent or application file contains at least one drawing executed in color. Copies of this patent or patent application publication with color drawing(s) will be provided by the Office upon request and payment of the necessary fee.

(21) Appl. No.: **29/583,263**

(22) Filed: **Nov. 3, 2016**

(51) **LOC (11) Cl.** ..... **21-01**

(52) **U.S. Cl.**  
USPC ..... **D21/397**

(58) **Field of Classification Search**  
USPC ..... D21/397

CPC ..... A47B 3/00; A47B 3/0915; A63B 67/002;  
A63B 63/08; A63D 15/00  
See application file for complete search history.

FIG. 1 is a perspective view of a first embodiment of our new design of a back-illuminated translucent gaming table; FIG. 2 is a top view thereof; FIG. 3 is a bottom view thereof; FIG. 4 is front view thereof; FIG. 5 is a review view thereof; FIG. 6 is a right side view thereof; FIG. 7 is a left side view thereof; FIG. 8 is a perspective view of a second embodiment of the design of FIG. 1; FIG. 9 is a perspective view of a third embodiment of the design of FIG. 1; FIG. 10 is a perspective view of a fourth embodiment of the design of FIG. 1; FIG. 11 is a perspective view of a fifth embodiment of the design of FIG. 1; FIG. 12 is a perspective view of a sixth embodiment of the design of FIG. 1; and, FIG. 13 is a perspective view of a seventh embodiment of the design of FIG. 1.

The broken lines in the above described FIGS. 1-13 depict unclaimed environmental subject matter.

(56) **References Cited**

**U.S. PATENT DOCUMENTS**

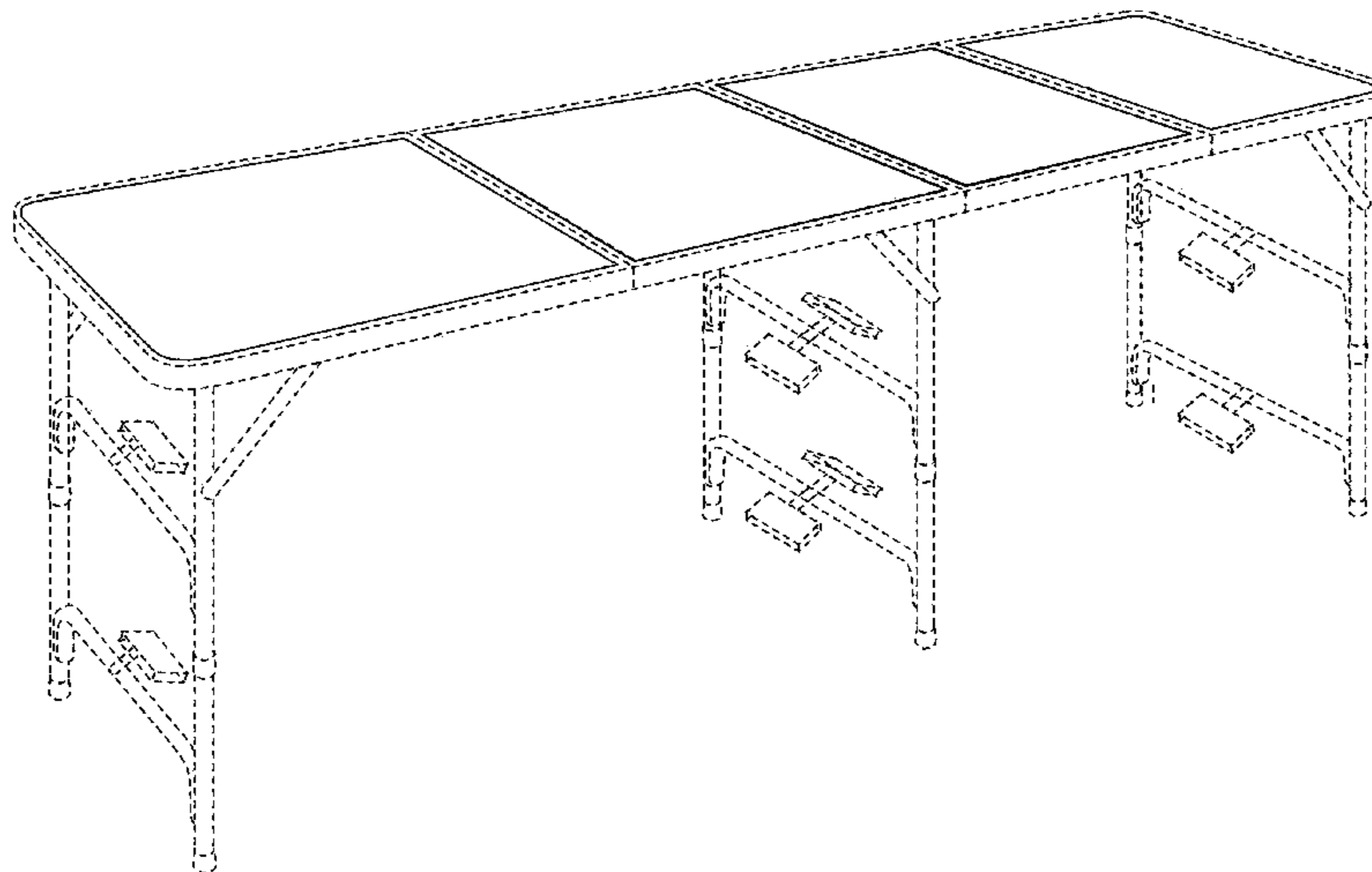
|             |         |              |
|-------------|---------|--------------|
| 2,633,395 A | 3/1953  | Zenner       |
| 2,871,076 A | 1/1959  | Mell         |
| D248,914 S  | 8/1978  | Eitress      |
| 4,491,954 A | 1/1985  | Genuit       |
| D340,301 S  | 10/1993 | Evans et al. |

(Continued)

**OTHER PUBLICATIONS**

“New 8' Beer Pong Table Aluminum Portable Adjustable Folding Indoor Outdoor Tailgate Party Game #8” by Pongbuddy, <http://www.amazon.com/ALUMINUM-PORTABLE-ADJUSTABLE->

**1 Claim, 12 Drawing Sheets**  
**(5 of 12 Drawing Sheet(s) Filed in Color)**



(56)

References Cited

U.S. PATENT DOCUMENTS

|              |      |         |                   |                         |
|--------------|------|---------|-------------------|-------------------------|
| 5,305,998    | A    | 4/1994  | Nesbit et al.     |                         |
| 5,542,017    | A    | 7/1996  | Koike             |                         |
| 5,941,778    | A    | 8/1999  | Vasalech          |                         |
| D441,479     | S    | 5/2001  | McCormick et al.  |                         |
| D468,566     | S    | 1/2003  | Morris            |                         |
| D492,427     | S    | 6/2004  | Egawa et al.      |                         |
| D492,428     | S    | 6/2004  | Egawa et al.      |                         |
| 6,752,091    | B2   | 6/2004  | Glover et al.     |                         |
| D509,606     | S    | 9/2005  | Egawa             |                         |
| 7,156,396    | B1   | 1/2007  | Voden             |                         |
| D538,355     | S    | 3/2007  | Tyson             |                         |
| 7,325,807    | B1   | 2/2008  | Eason             |                         |
| 7,451,709    | B2   | 11/2008 | Swartfager et al. |                         |
| D605,787     | S    | 12/2009 | Barton et al.     |                         |
| 7,893,953    | B2   | 2/2011  | Krestakos et al.  |                         |
| D654,204     | S    | 2/2012  | Friesen           |                         |
| 8,127,689    | B2   | 3/2012  | Christian et al.  |                         |
| 8,156,875    | B2   | 4/2012  | Neunzert et al.   |                         |
| 8,166,894    | B1   | 5/2012  | Branch et al.     |                         |
| 8,167,732    | B2 * | 5/2012  | Tsai              | A63D 15/00<br>473/10    |
| D662,236     | S    | 6/2012  | Matsushita        |                         |
| 8,205,887    | B2   | 6/2012  | Wyland            |                         |
| D663,364     | S    | 7/2012  | Allmandinger      |                         |
| 8,235,389    | B1   | 8/2012  | Herro et al.      |                         |
| D679,439     | S    | 4/2013  | Lai               |                         |
| D715,869     | S    | 10/2014 | Dapo              |                         |
| 8,905,406    | B2   | 12/2014 | Brown             |                         |
| 8,925,926    | B2 * | 1/2015  | Alway             | A63B 63/08<br>273/371   |
| D723,627     | S *  | 3/2015  | Sheild            | D21/397                 |
| D743,491     | S    | 11/2015 | Fissell et al.    |                         |
| D754,797     | S    | 4/2016  | Fissell           |                         |
| 2003/0161151 | A1   | 8/2003  | Liu               |                         |
| 2004/0070149 | A1   | 4/2004  | Lipscomb et al.   |                         |
| 2005/0241551 | A1 * | 11/2005 | Neunzert          | A47B 3/00<br>108/132    |
| 2006/0226606 | A1 * | 10/2006 | Finley            | A63B 67/002<br>273/342  |
| 2006/0236905 | A1 * | 10/2006 | Neunzert          | A47B 3/0915<br>108/169  |
| 2008/0117648 | A1   | 5/2008  | Weiser            |                         |
| 2009/0194941 | A1   | 8/2009  | Boyd et al.       |                         |
| 2009/0322352 | A1 * | 12/2009 | Zachut            | A63F 3/00643<br>324/658 |
| 2014/0252718 | A1   | 9/2014  | Rieman            |                         |

OTHER PUBLICATIONS

Bpong® Beer Pong Table -Black—8-FT, Aluminum—by BPONG®, <http://www.bpong.com/store/aluminum-beer-pong-tables/bpong-beer-pong-table-black-8-ft-aluminum/> depicting Beer Pong Table, 6 pgs. Accessed May 22, 2015.

Portable Super Mario Bros. Beer Pong Table—by that'snerdalicious!, <http://www.thatsnerdalicious.com/beer/bring-this-portable-super-mario-bros-beer-pong-table-to-your-next-party> depicting Beer Pong Table, 3 pgs. Posted Feb. 26, 2013.

Beer Pong Folding and Portable Beer Pong Table—by PartyPongTables.com, <http://www.wayfair.com/Party-Pong-Tables-Beer-Pong-Folding-and-Portable-Beer-Pong-Table-PP.BPT.BPA-ERW1017.html> depicting Beer Pong Table, 3 pgs. Accessed May 22, 2015.

Best Choice Products® 8' Portable Beer Pong Table Foldable Outdoor Game Set—by Best Choice Products®, <http://www.amazon.com/Best-Choice-Products%C2%AE-Portable-Foldable/dp/B0055DRZ0U> depicting Beer Pong Table, 3 pgs. Accessed May 22, 2015.

Portable beer pong table—by corrie213 on instructables.com, <http://www.instructables.com/id/Portable-beer-pong-table> depicting Beer Pong Table, 4 pgs. Accessed May 22, 2015.

GoPong 8-Foot Portable Beer Pong / Tailgate Tables (Black, Football or American Flag)—by GoPong, <http://www.amazon.com/GoPong-Portable-Tailgate-Football-American/dp/B00DDPDNCQ> depicting Beer Pong Table, 2 pgs. Accessed May 22, 2015.

Design U.S. Appl. No. 29/429,066, 'Table With Illuminating Perimeter' (filed Aug. 7, 2012).

Design U.S. Appl. No. 29/528,833, 'Gaming Table' (filed Jun. 1, 2015).

Design U.S. Appl. No. 29/532,757, 'Gaming Table' (filed Jul. 9, 2015).

Notice of Allowance issued for Design U.S. Appl. No. 29/528,833, 'Gaming Table' (allowed Jul. 1, 2015).

Notice of Allowance issued for Design U.S. Appl. No. 29/532,757, 'Gaming Table' (allowed Dec. 30, 2015).

Notice of Allowance issued for Design U.S. Appl. No. 29/429,066, 'Table With Illuminating Perimeter' (allowed Sep. 12, 2016).

Email with attachment from Nathan Fissell to Spencer Gifts (subject: 'GlowPong 6.5' Table sneak peek') dated Mar. 18, 2014.

Email with attachment from Nathan Fissell to Spencer Gifts (subject: 'GlowPong 6.5 Glowing Game Table NIS') dated Mar. 18, 2014.

\* cited by examiner

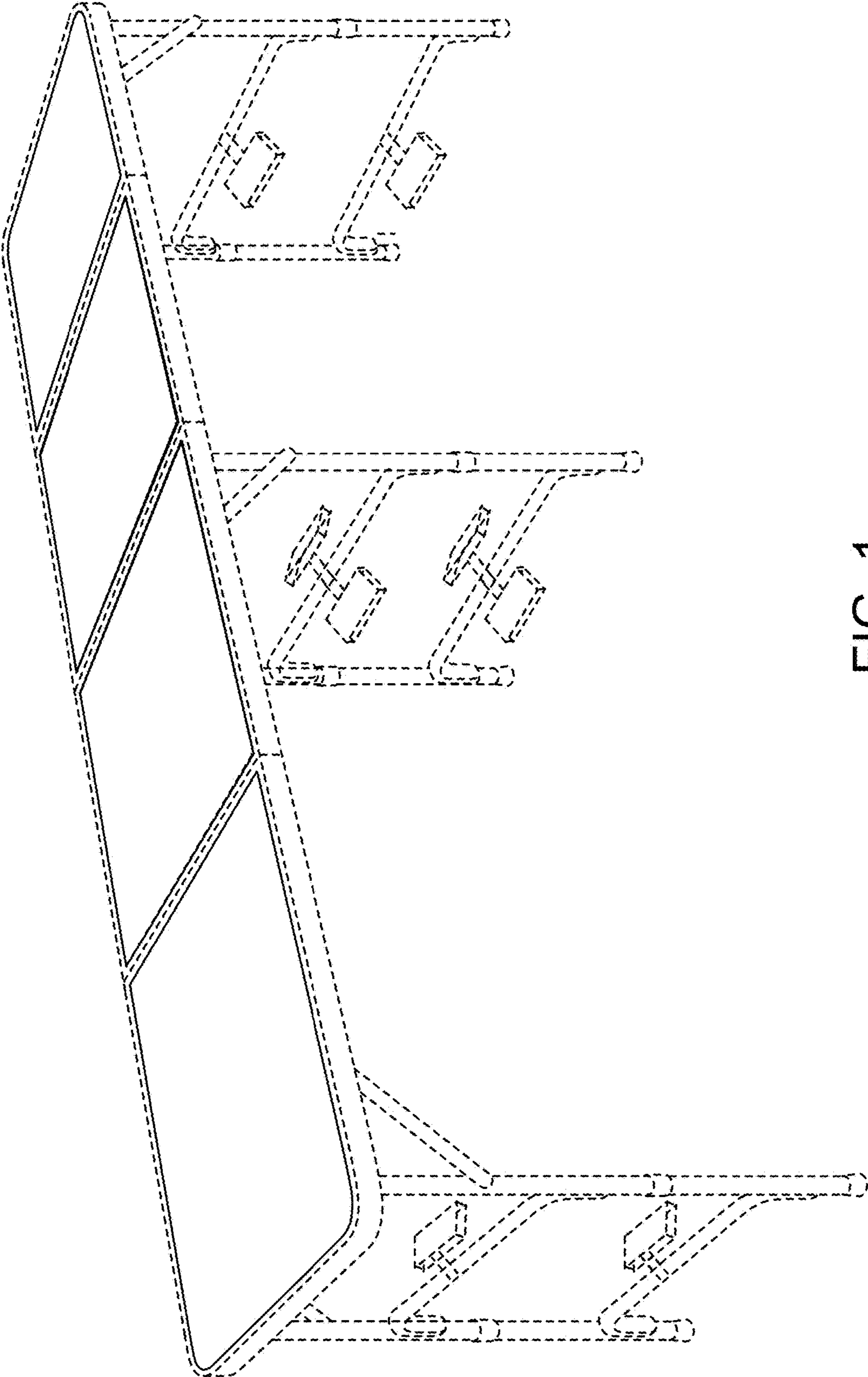


FIG. 1

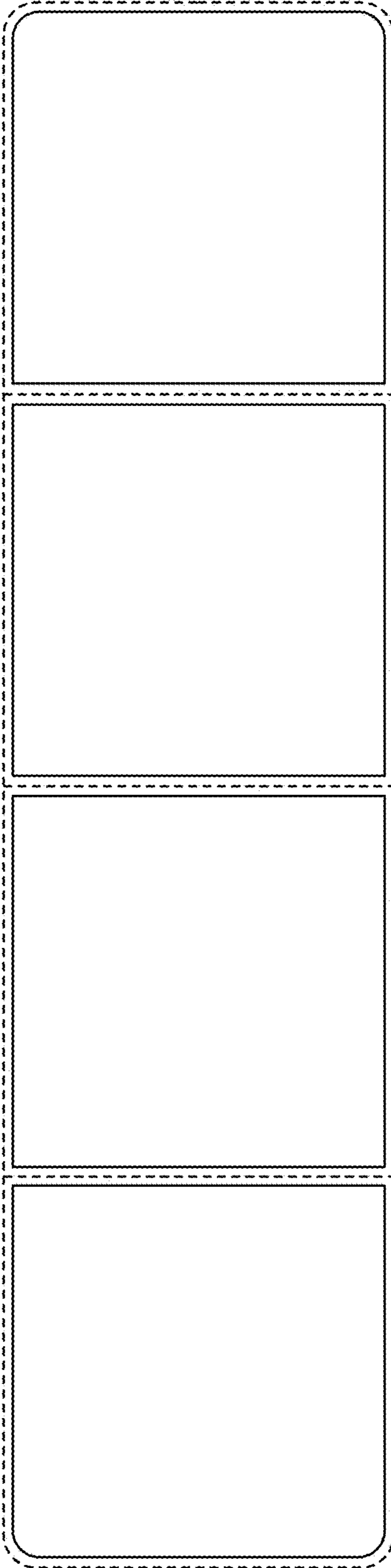


FIG. 2

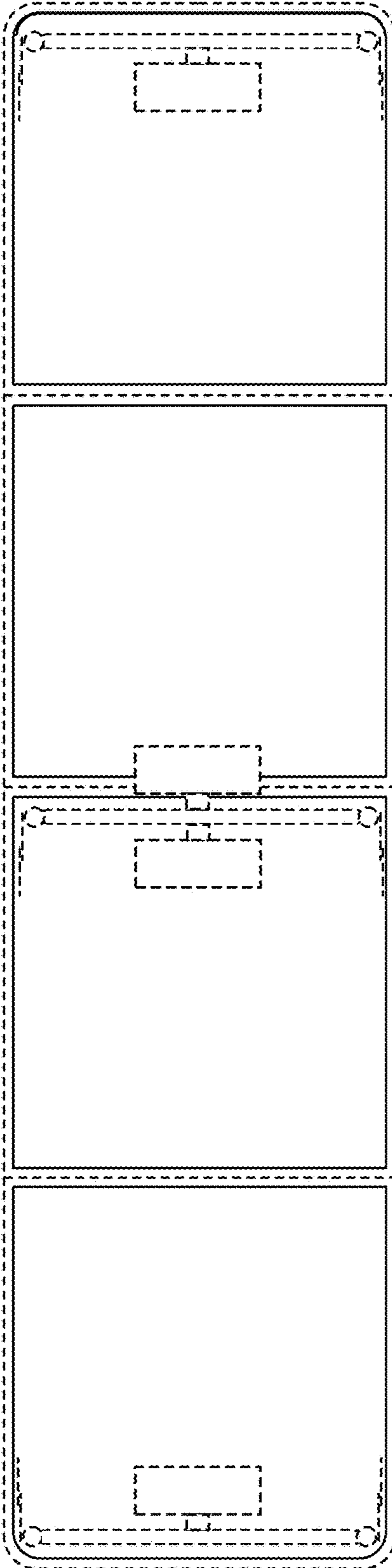


FIG. 3

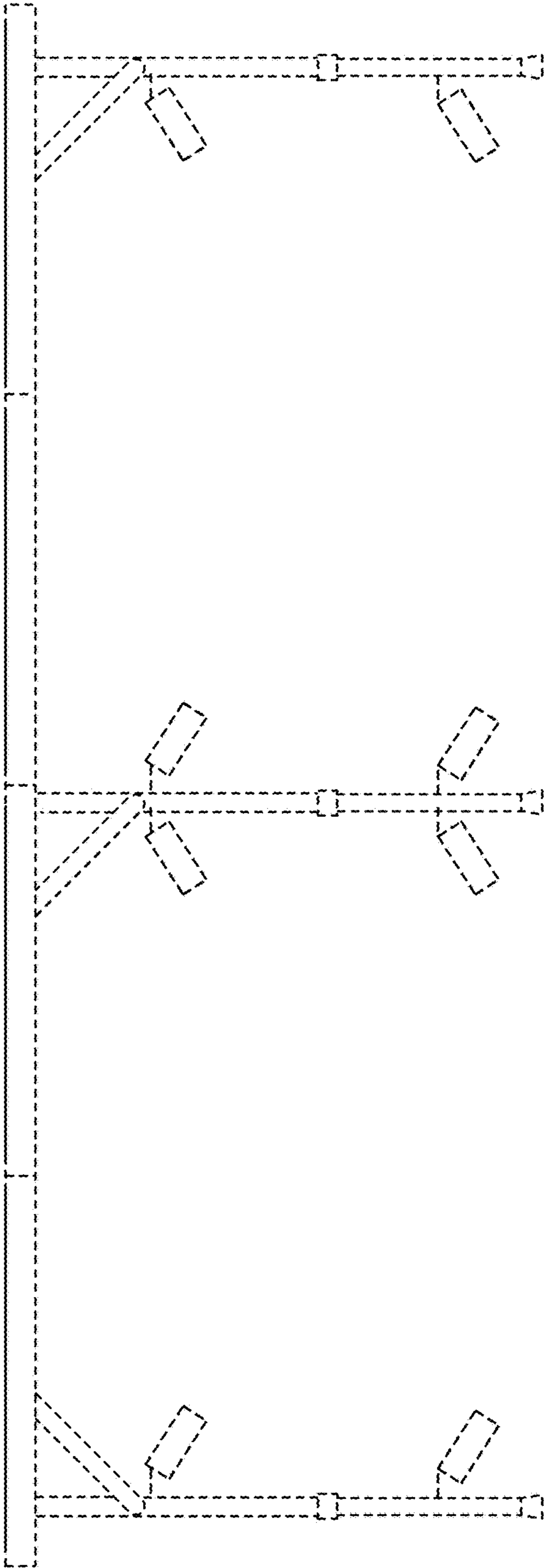


FIG. 4

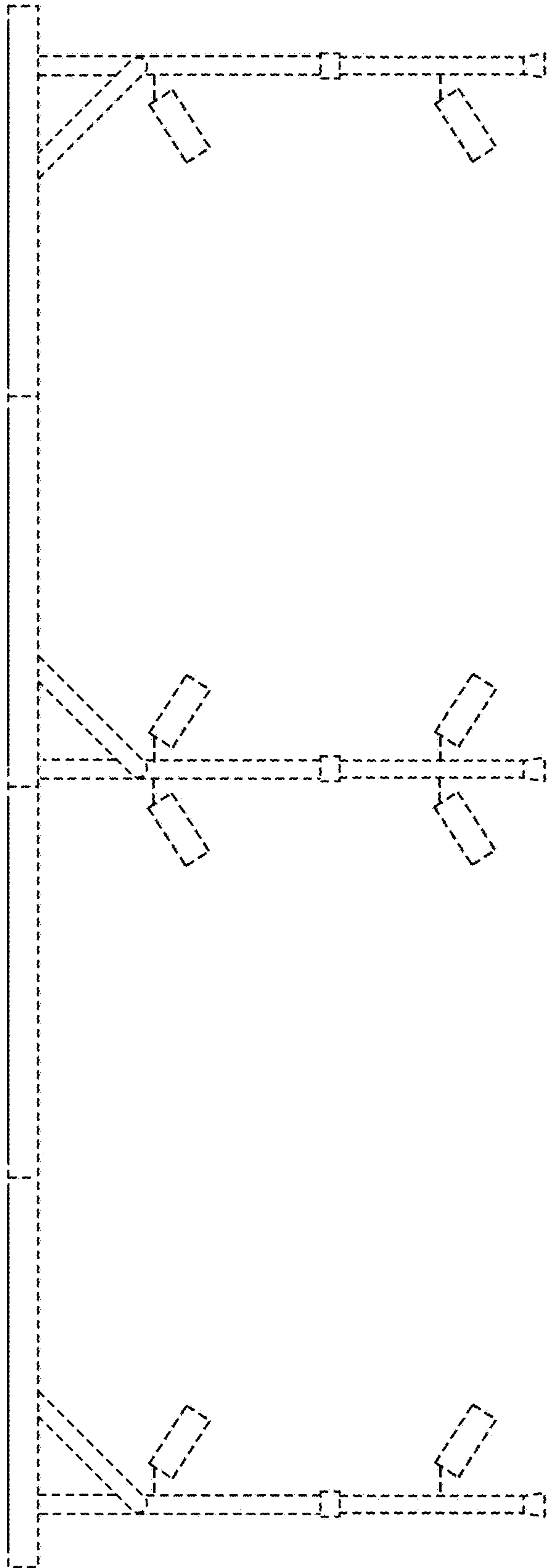


FIG. 5

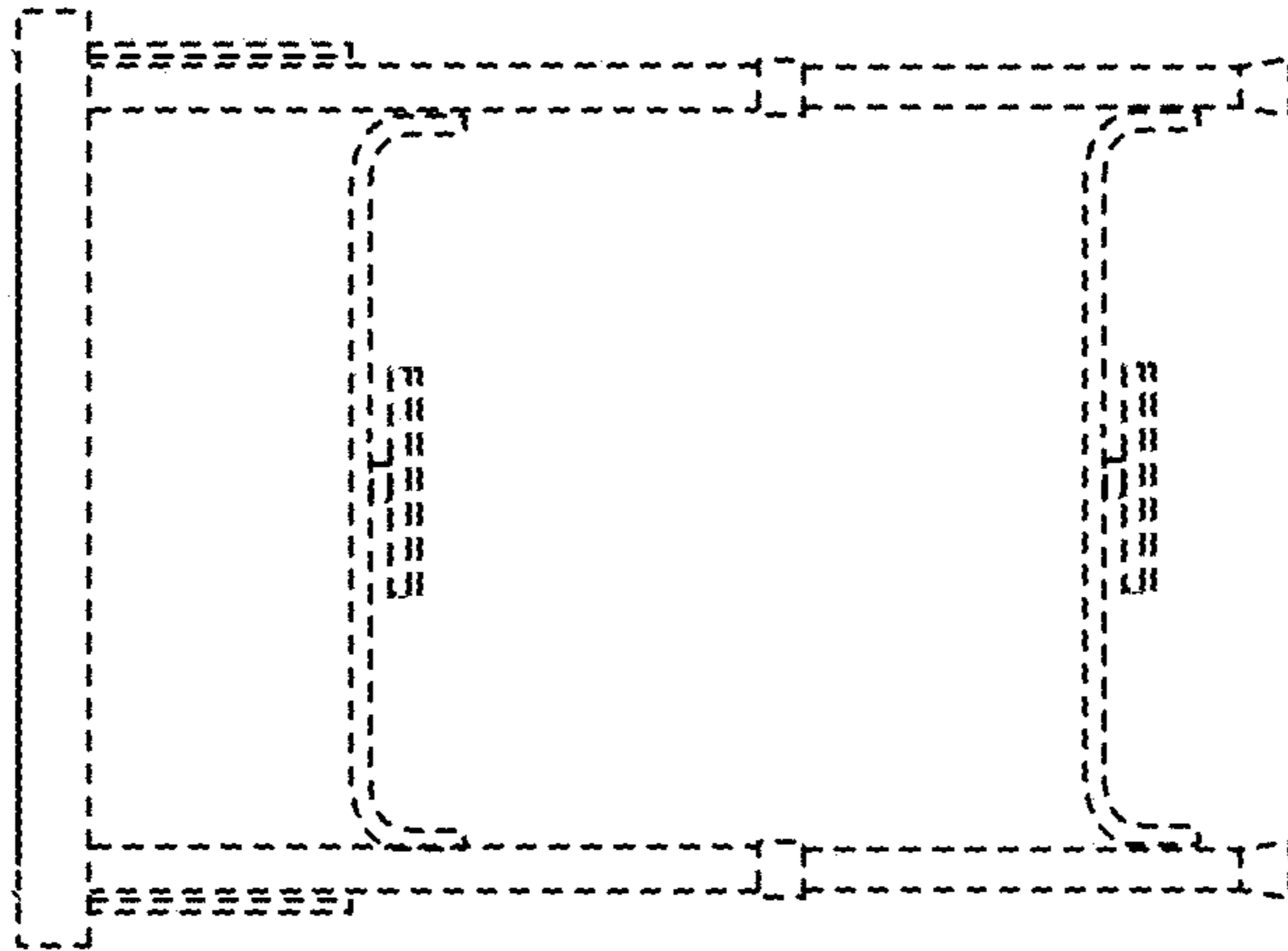


FIG. 6

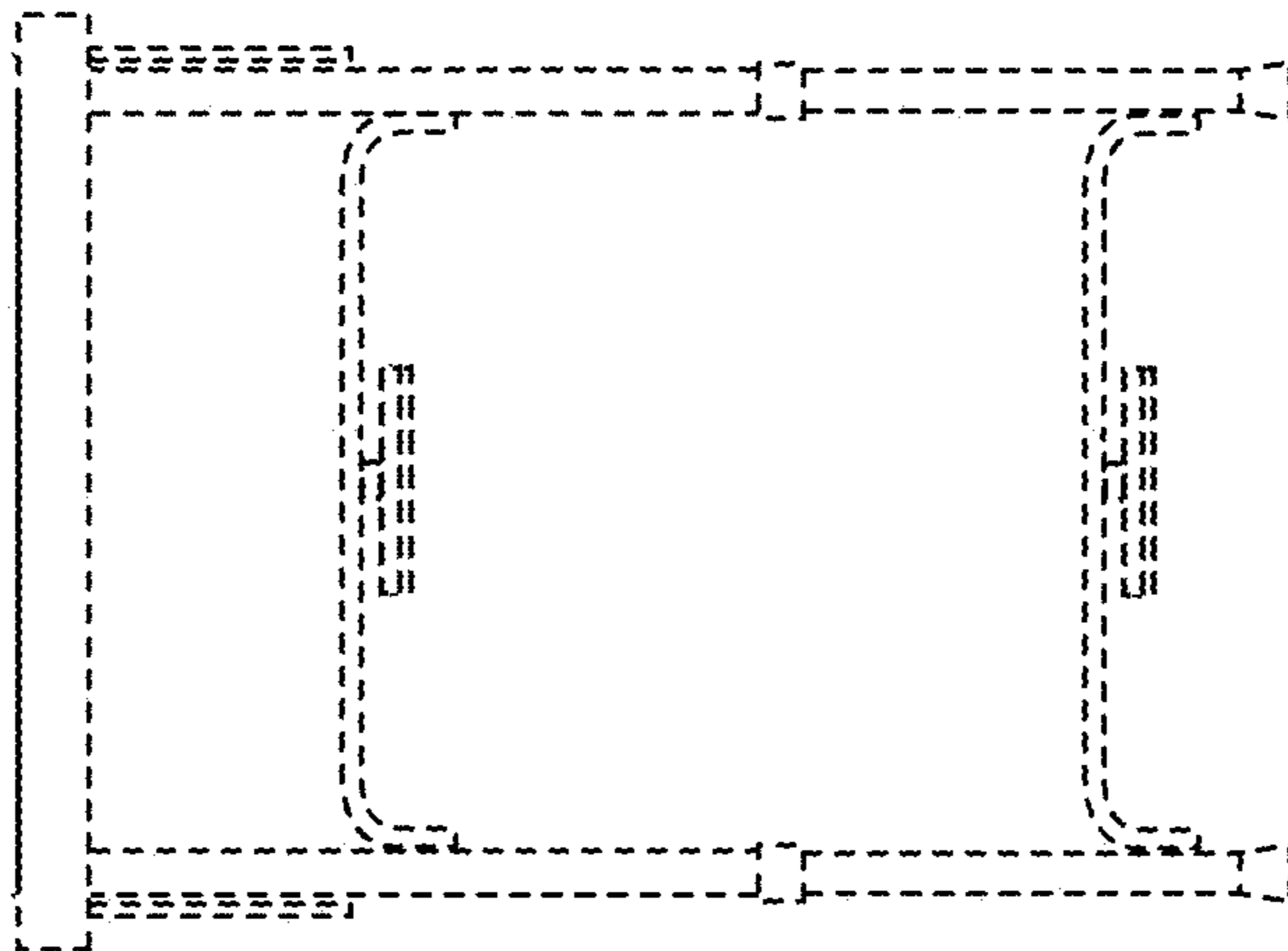


FIG. 7



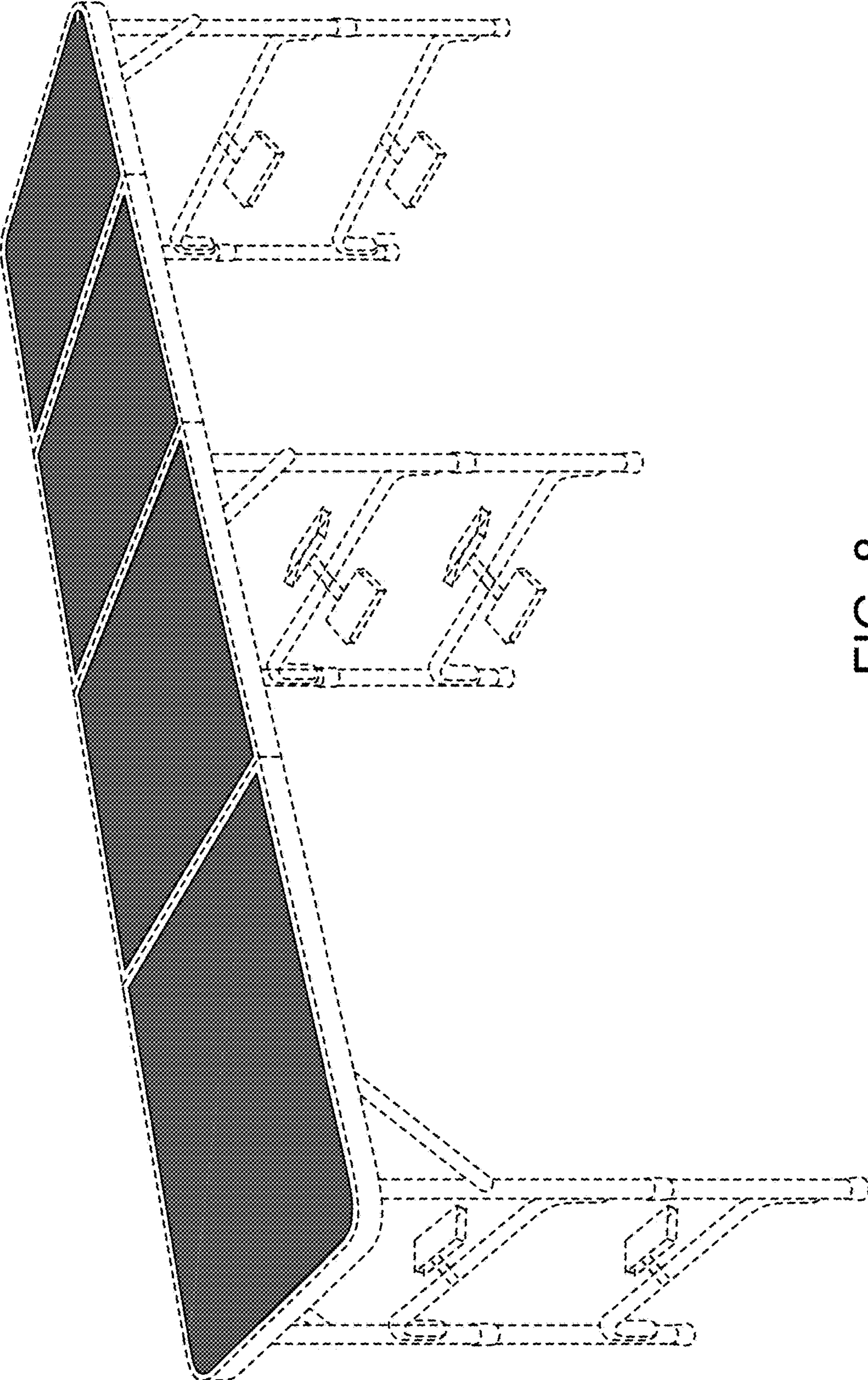


FIG. 8

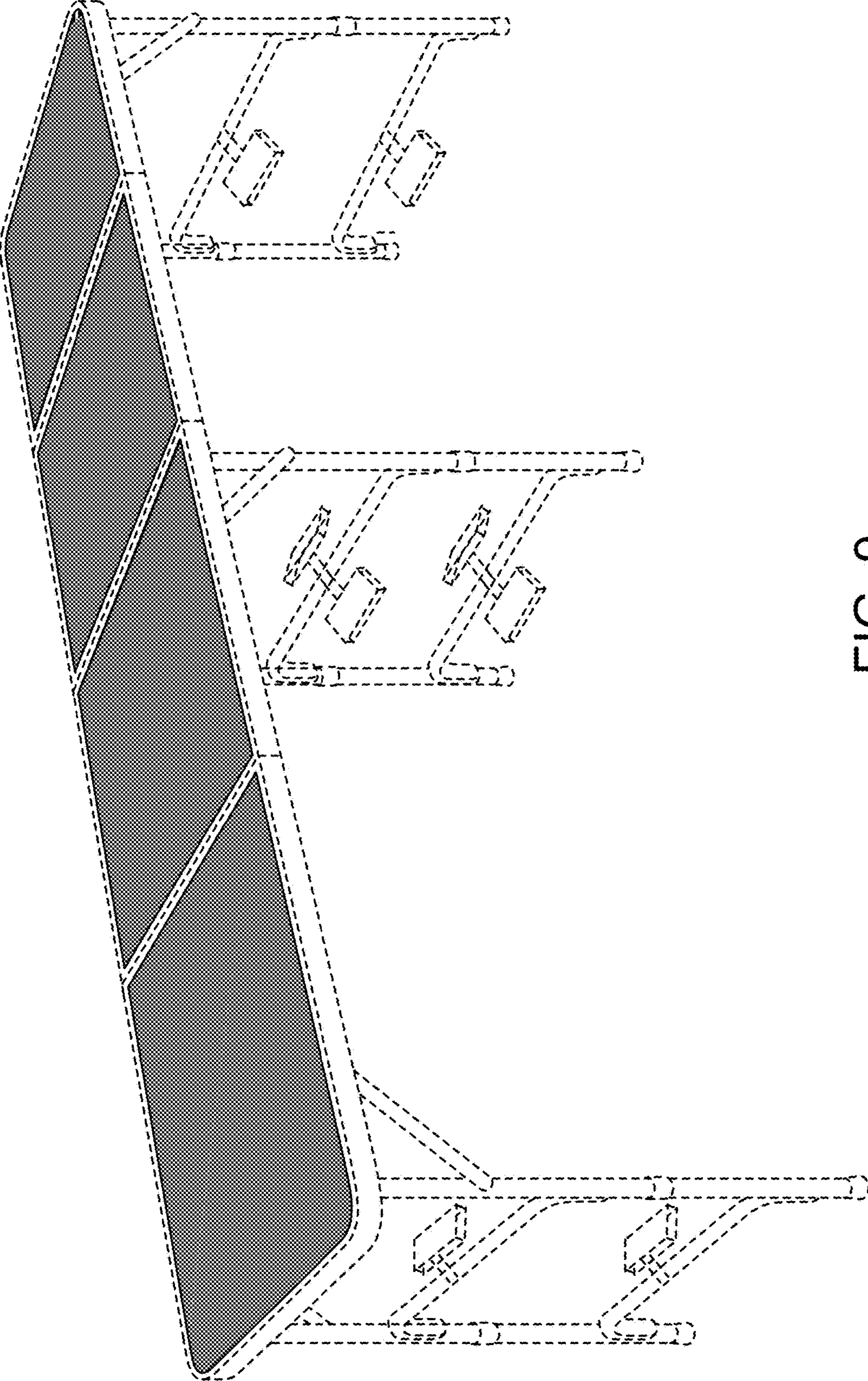


FIG. 9

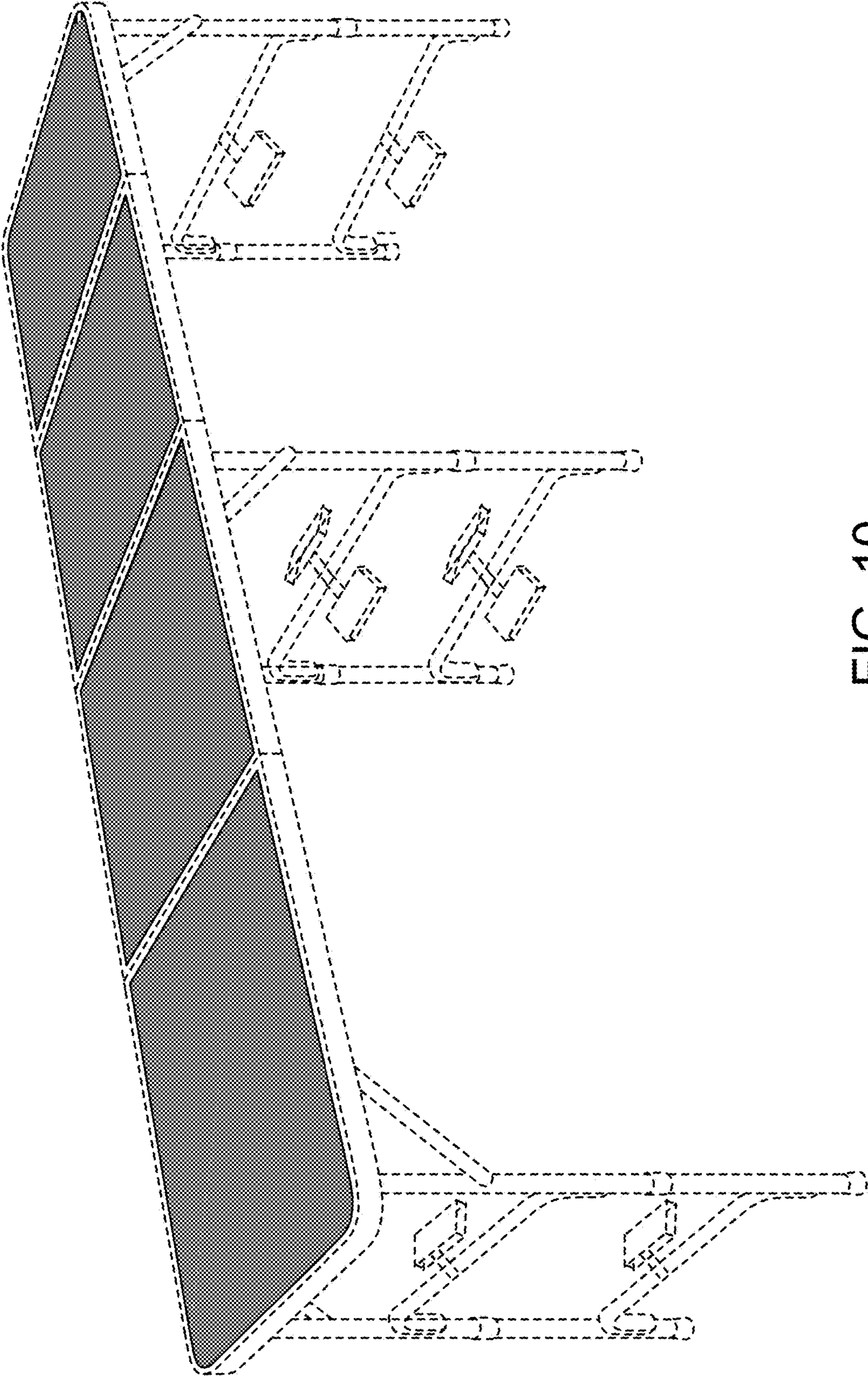


FIG. 10

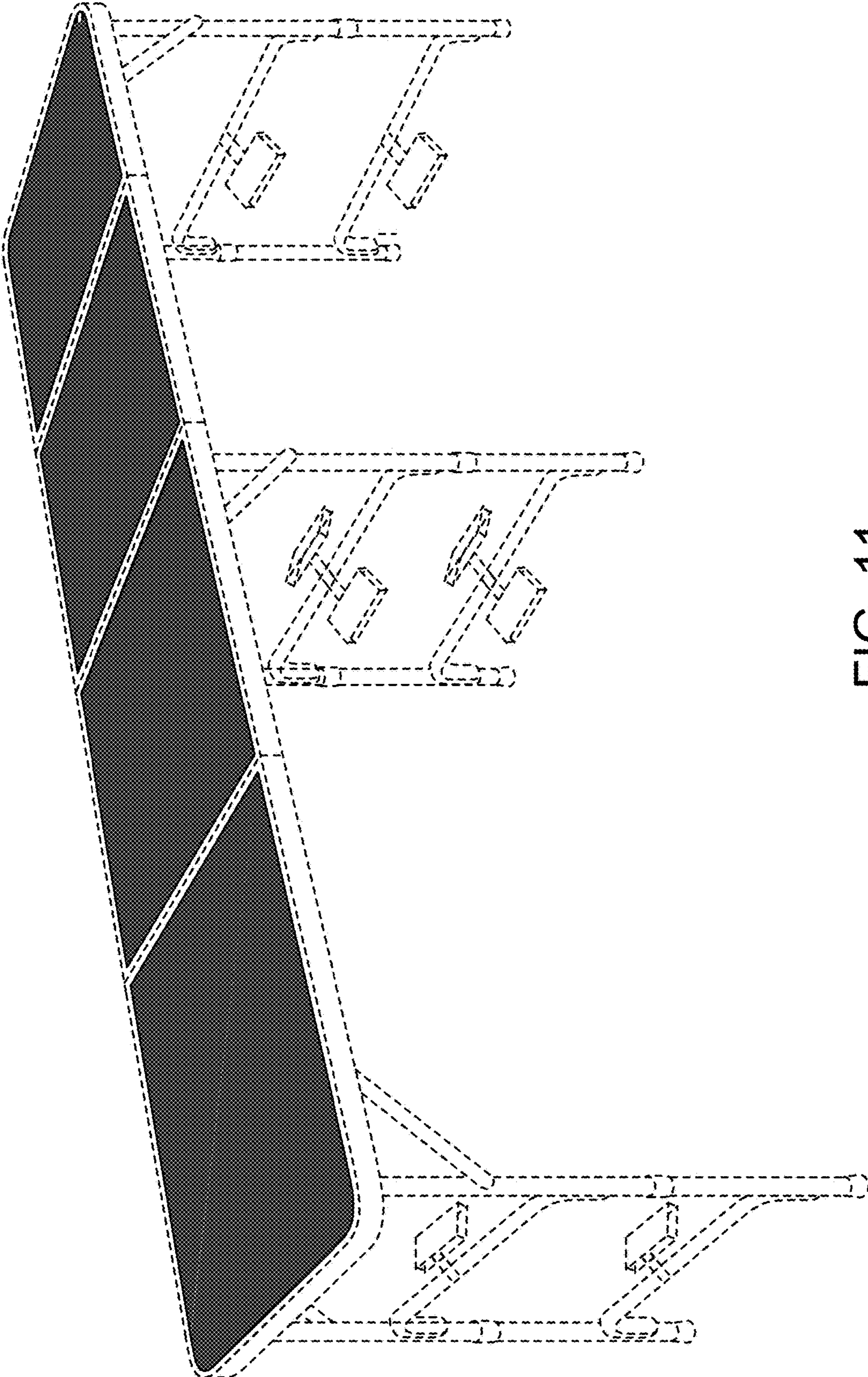


FIG. 11

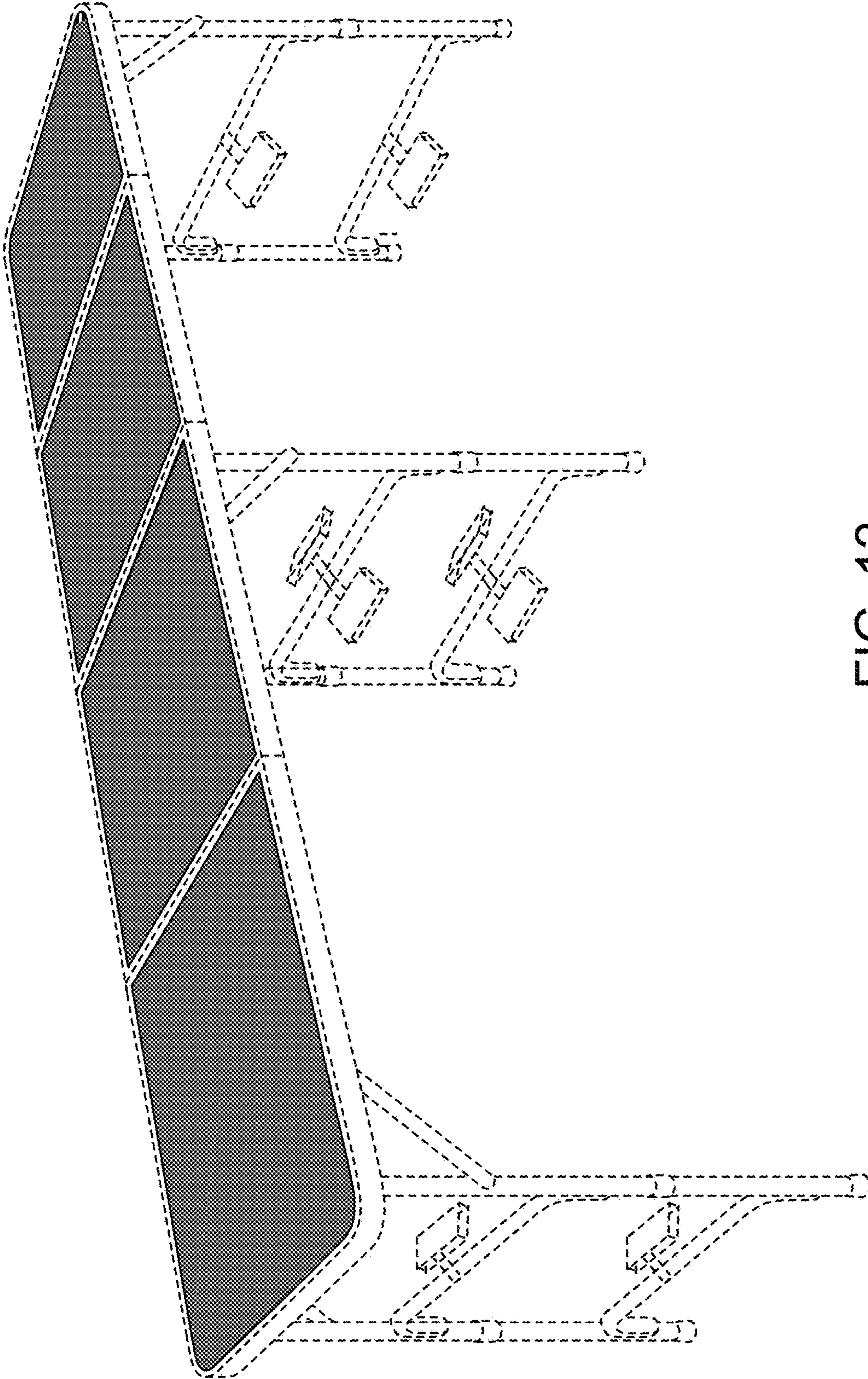


FIG. 12

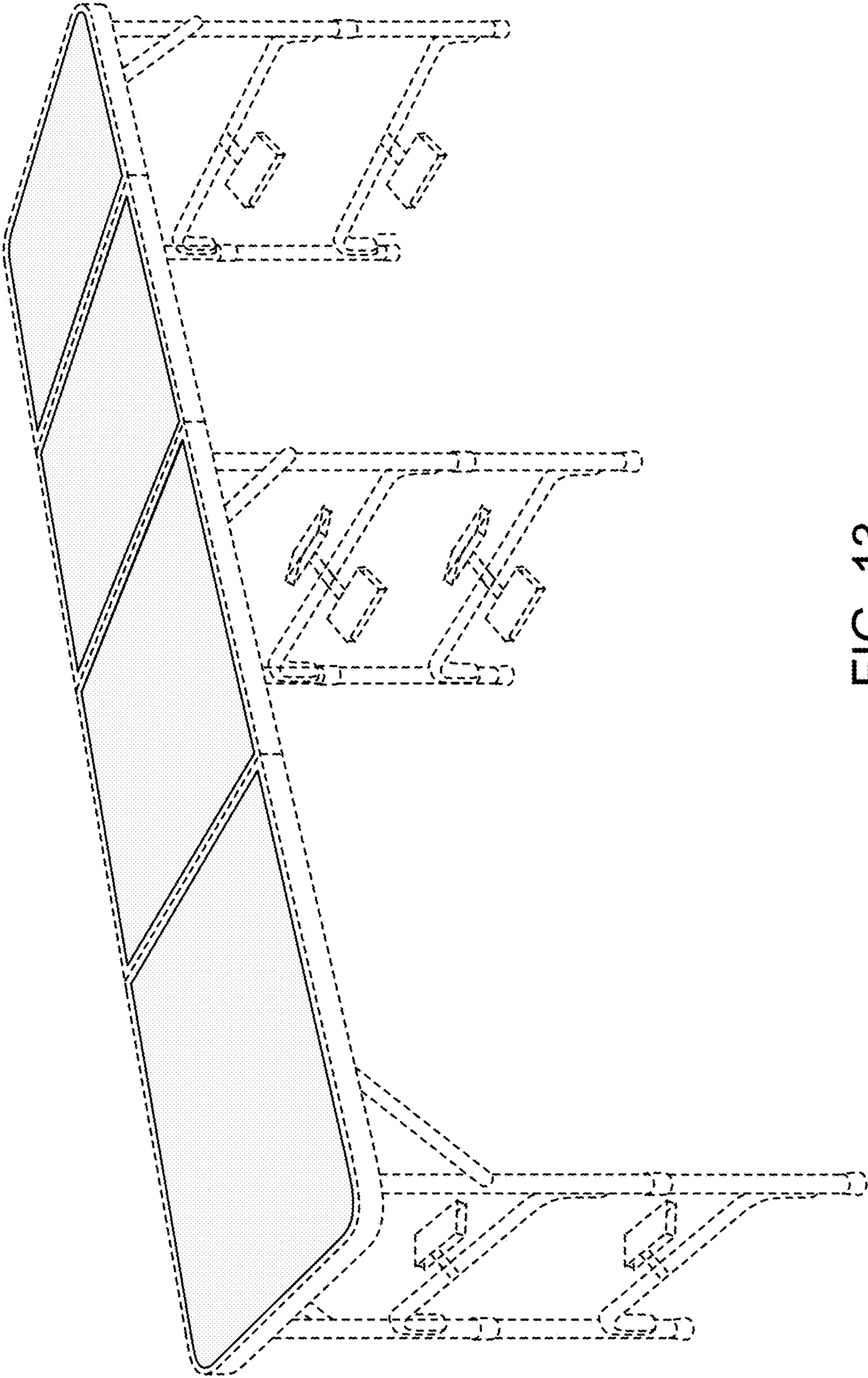


FIG. 13