



US00D809068S

(12) **United States Design Patent**  
**Ballman et al.**

(10) **Patent No.:** **US D809,068 S**  
(45) **Date of Patent:** **\*\* Jan. 30, 2018**

- (54) **WAGERING KIOSK**
- (71) Applicant: **XeraFlop Technologies Inc.**, Vancouver (CA)
- (72) Inventors: **Glenn Stacey Ballman**, Calgary (CA); **Glenn Colegate**, Telford (GB)
- (73) Assignee: **XeraFlop Technologies Inc.**, Vancouver, British Columbia (CA)
- (\*\*) Term: **14 Years**
- (21) Appl. No.: **29/518,095**
- (22) Filed: **Feb. 19, 2015**
- (51) **LOC (11) Cl.** ..... **21-03**
- (52) **U.S. Cl.**  
USPC ..... **D21/369**
- (58) **Field of Classification Search**  
USPC ..... D21/369, 370, 371, 385, 329, 325, 394; D14/307, 172, 129, 325, 401, 371, 126, D14/439, 432, 450, 128, 375; 463/28, 463/13, 11, 16, 20, 25, 31, 46, 23, 30, 17, 463/36, 29, 42, 34, 32, 35, 19, 21, 22; 273/292, 203, 138.2, 143 R, 142 R, 138.1; D19/60; D16/226; D8/335, 331, 334; D26/14  
CPC ..... G07F 17/32; G07F 17/34; G07F 17/3211; G07F 17/3244; G07F 17/3267  
See application file for complete search history.

D723,538 S	3/2015	Catoe et al.	
D727,307 S	4/2015	Kraft et al.	
D732,520 S *	6/2015	Themann .....	D14/307
D740,888 S *	10/2015	DePalma .....	D21/370
D742,870 S	11/2015	Berini	
D752,573 S *	3/2016	Ballman .....	D14/307
2007/0205277 A1	9/2007	Tashiro	
2007/0235531 A1	10/2007	Addison et al.	
2012/0083331 A1 *	4/2012	Carpenter .....	G07F 17/3286 463/25
2013/0191170 A1	7/2013	Jarrett et al.	
2013/0226632 A1	8/2013	Gilbert et al.	
2016/0189483 A1 *	6/2016	Ballman .....	G06Q 50/34 463/28

\* cited by examiner

*Primary Examiner* — Robert M. Spear

*Assistant Examiner* — Ryan Harvey

(74) *Attorney, Agent, or Firm* — Todd A. Rattray; Oyen Wiggs Green & Mutala LLP

(57) **CLAIM**

The ornamental design for a wagering kiosk, as shown and described.

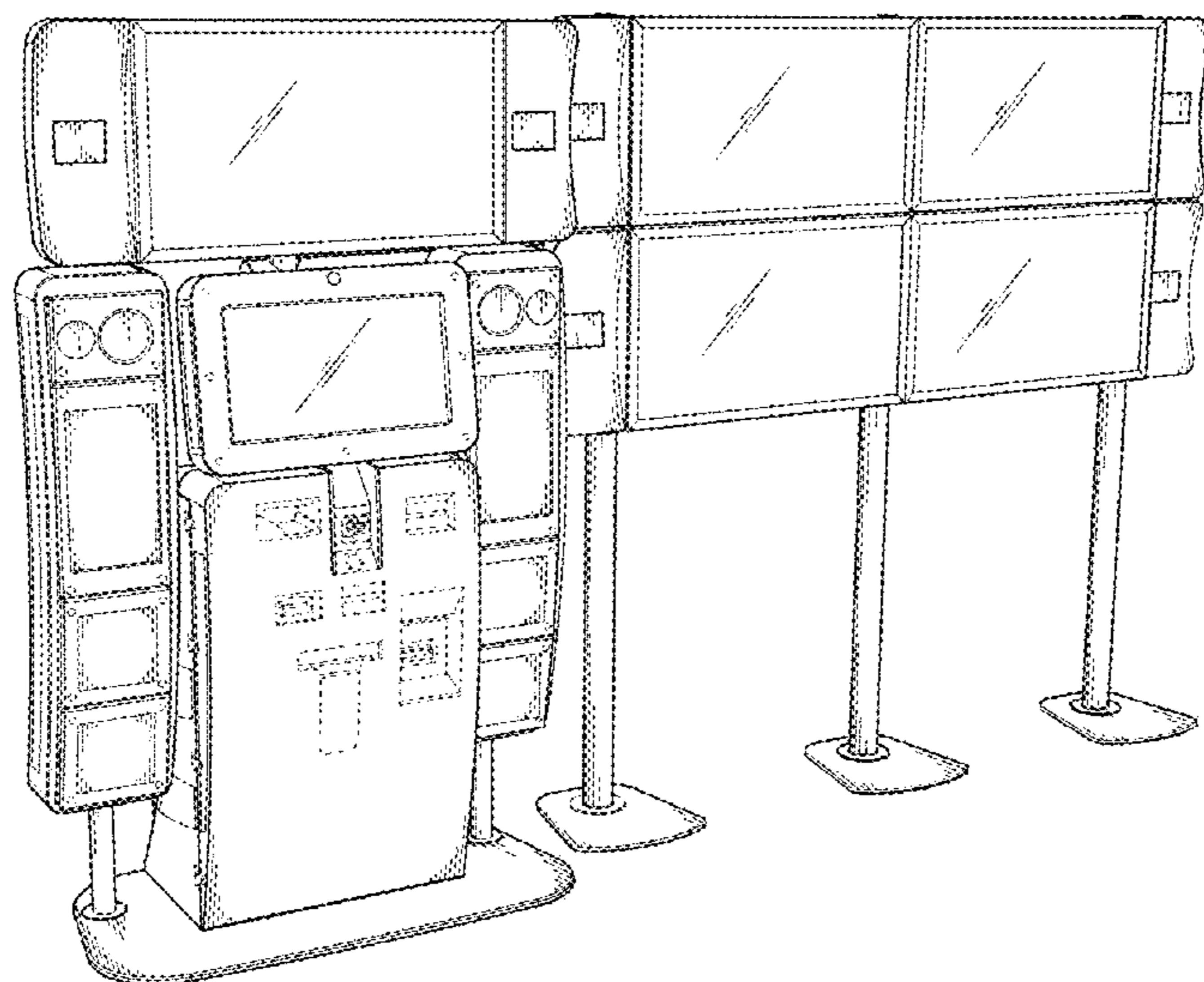
**DESCRIPTION**

FIG. 1 is a perspective view of the wagering kiosk; FIG. 2 is a front view of the wagering kiosk; FIG. 3 is a rear view of the wagering kiosk; FIG. 4 is a top view of the wagering kiosk; FIG. 5 is a bottom view of the wagering kiosk; FIG. 6 is a left side view of the wagering kiosk; FIG. 7 is a right side view of the wagering kiosk; FIG. 8 is a perspective view of the wagering kiosk; and, FIG. 9 is an enlarged rear view of a portion of the wagering kiosk showing the portion of the wagering kiosk in greater detail.

The broken line showing of portions of the wagering kiosk depicts environment and forms no part of the claim.

**1 Claim, 7 Drawing Sheets**

- (56) **References Cited**  
U.S. PATENT DOCUMENTS  
D481,078 S \* 10/2003 Stephan ..... D21/369  
D639,800 S 6/2011 Magruder  
D708,676 S 7/2014 Ballman et al.  
D714,875 S \* 10/2014 Wudtke ..... D21/385  
D715,364 S \* 10/2014 Wudtke ..... D21/385  
D717,784 S 11/2014 Collins et al.



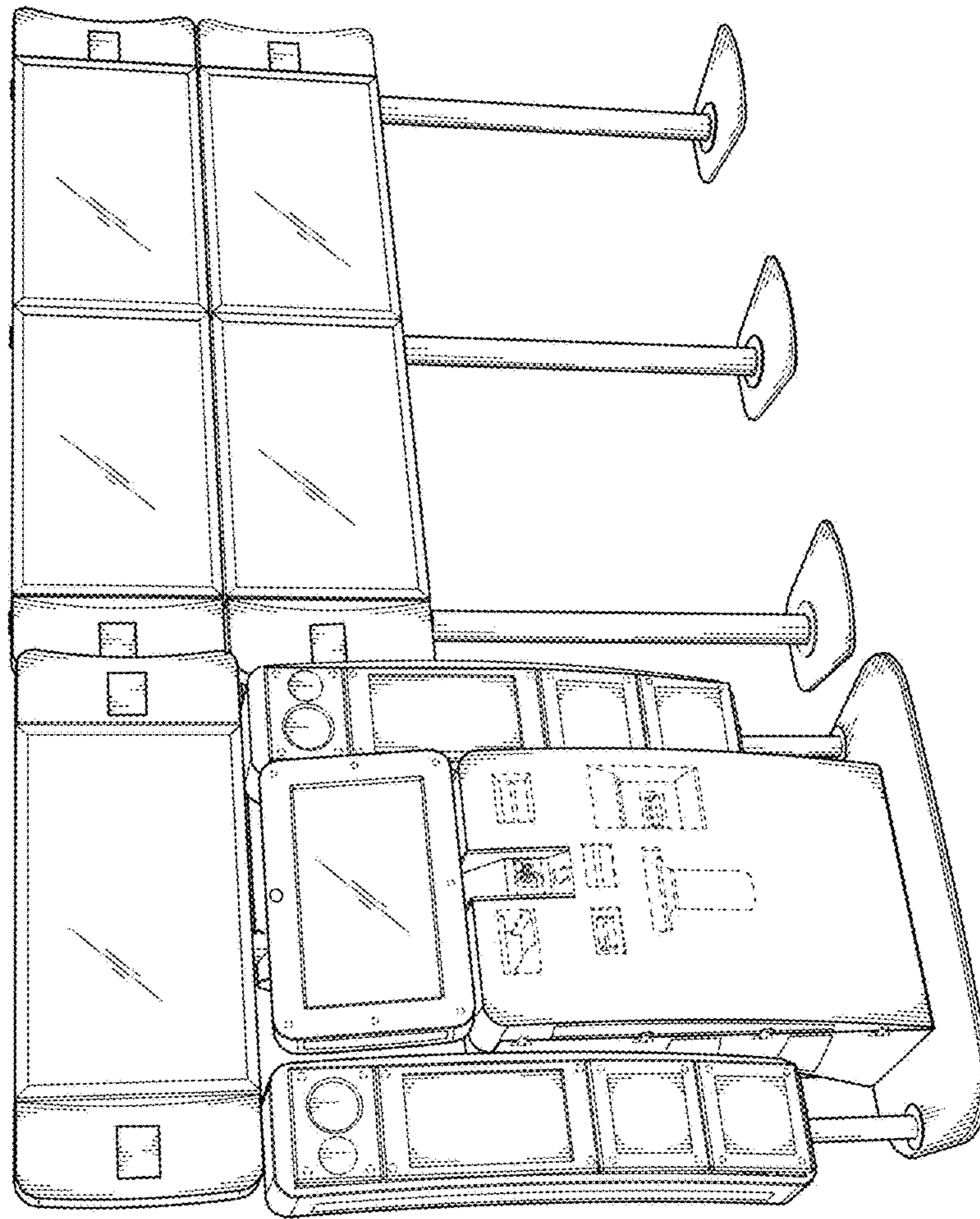


FIG. 1

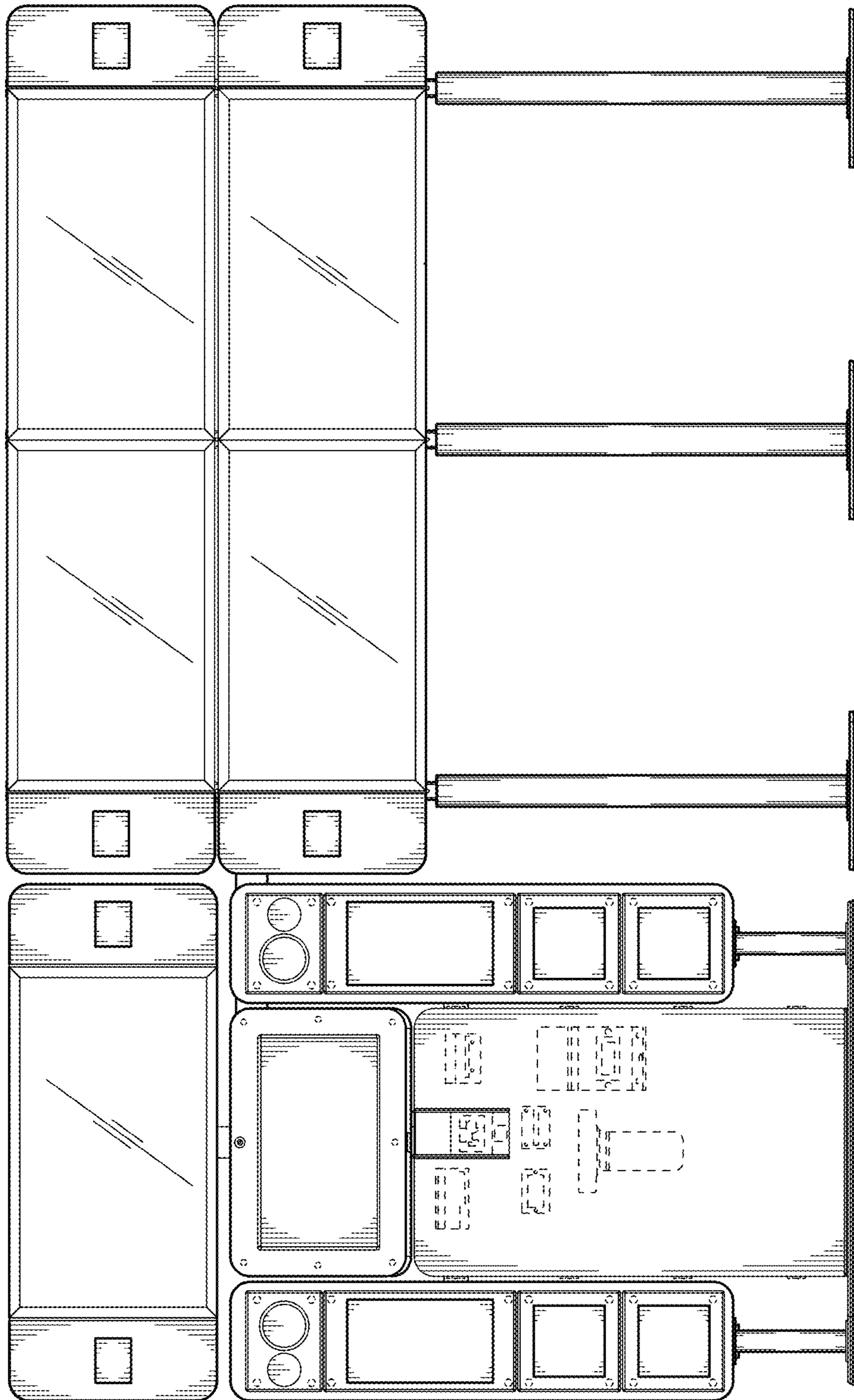


FIG. 2



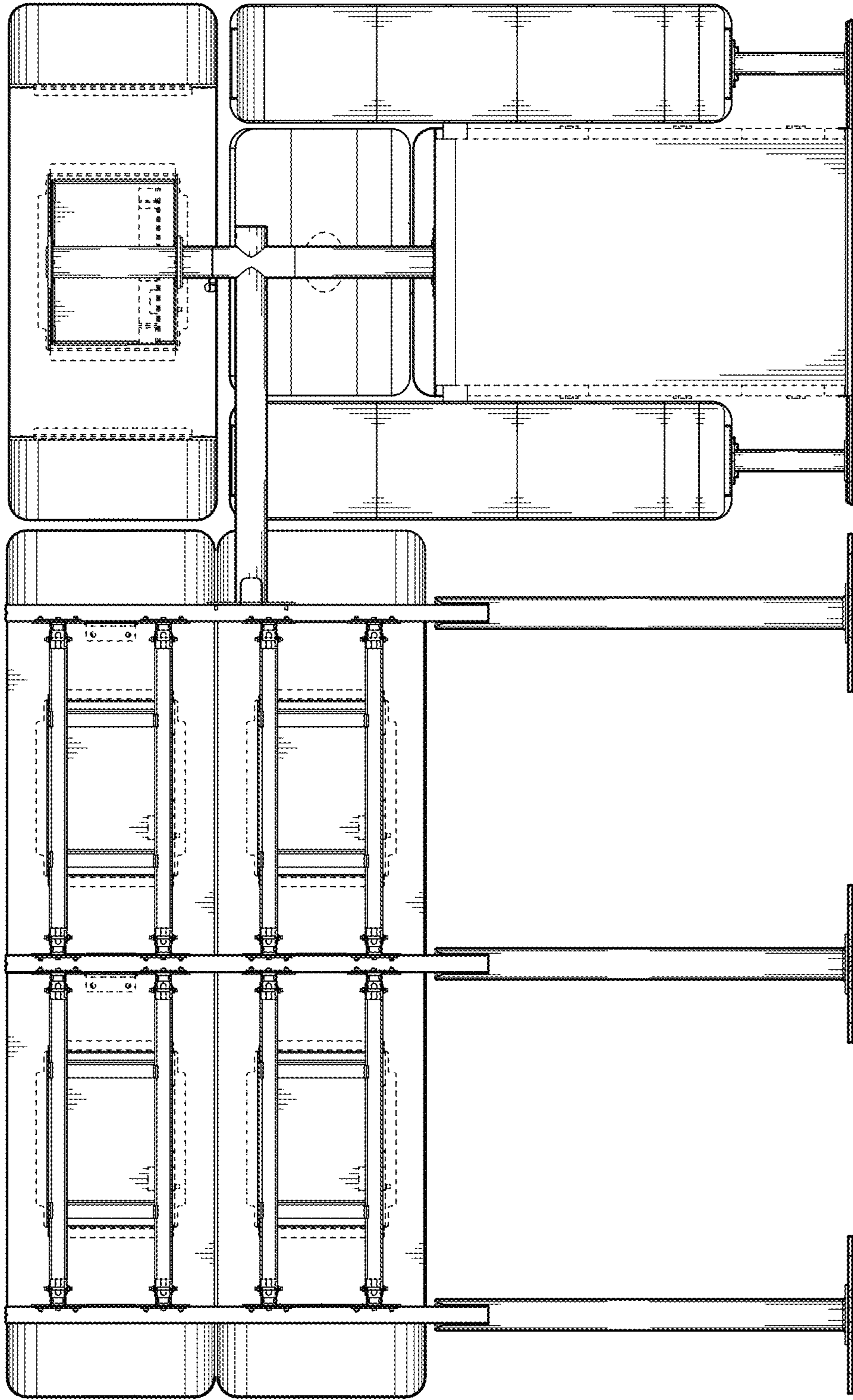


FIG. 3

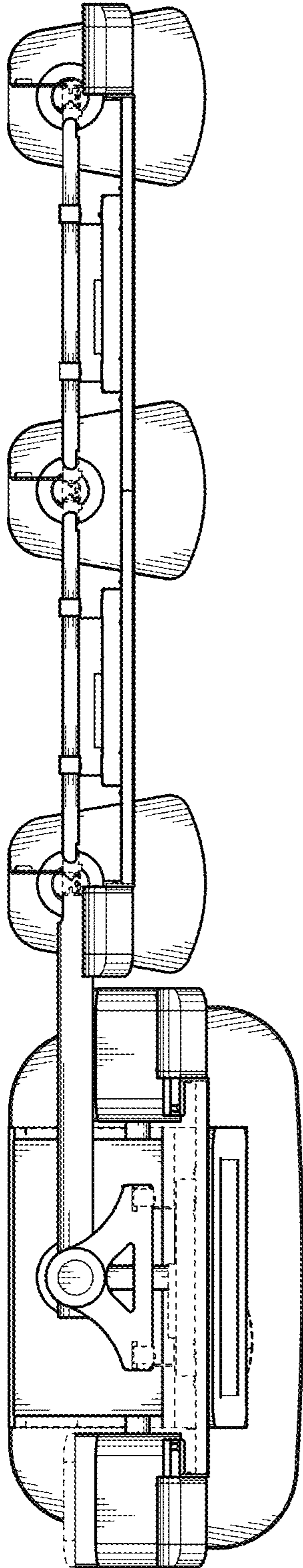


FIG. 4

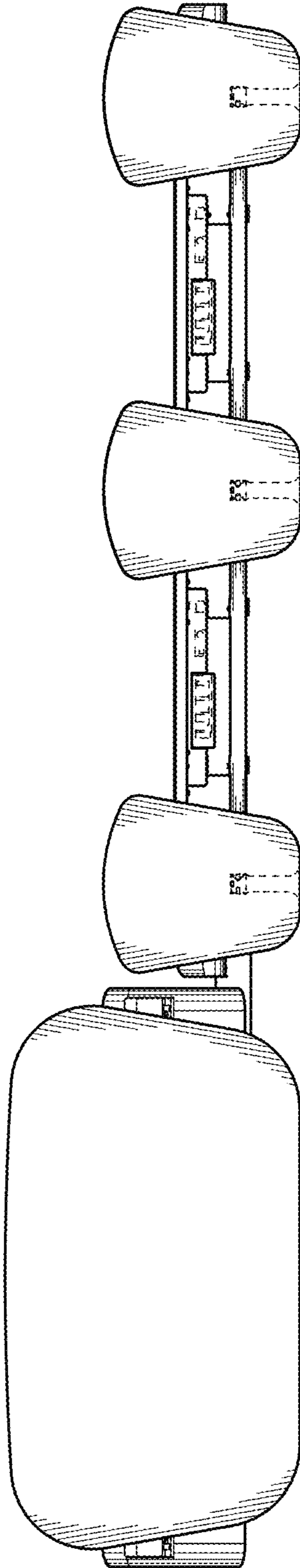


FIG. 5

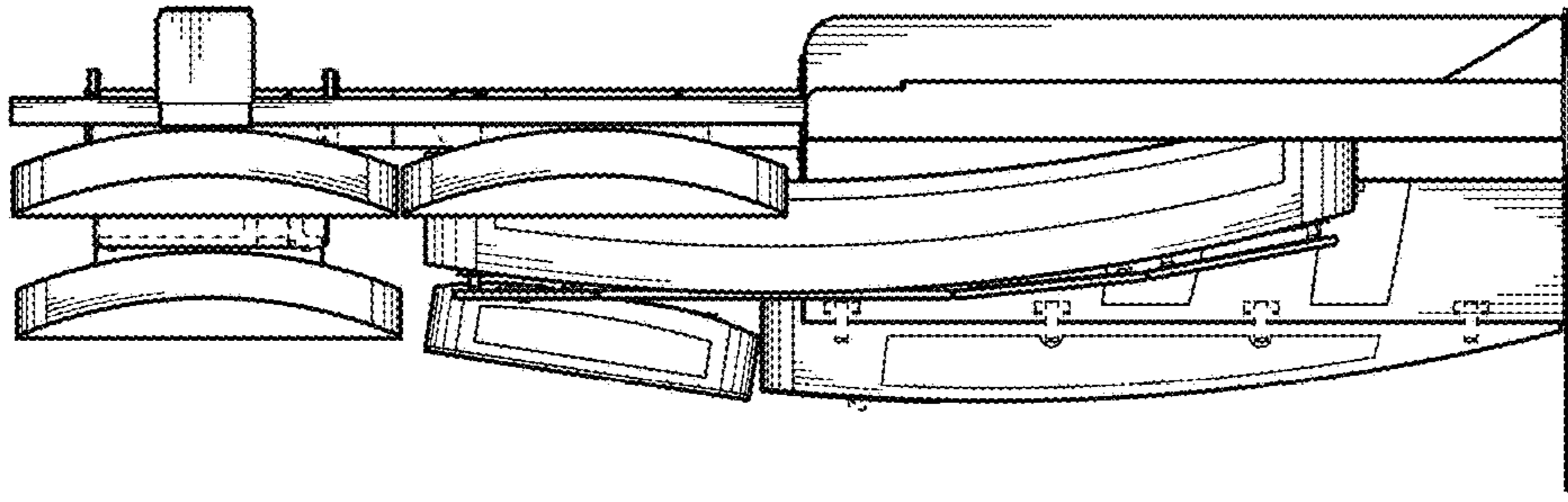


FIG. 7

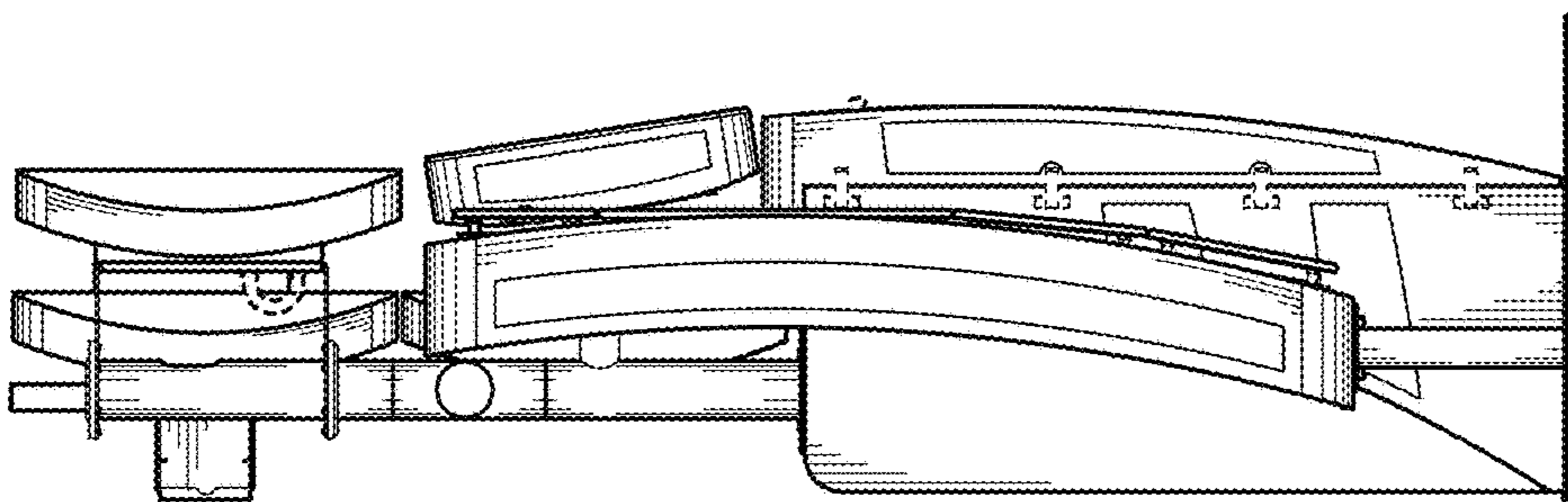


FIG. 6



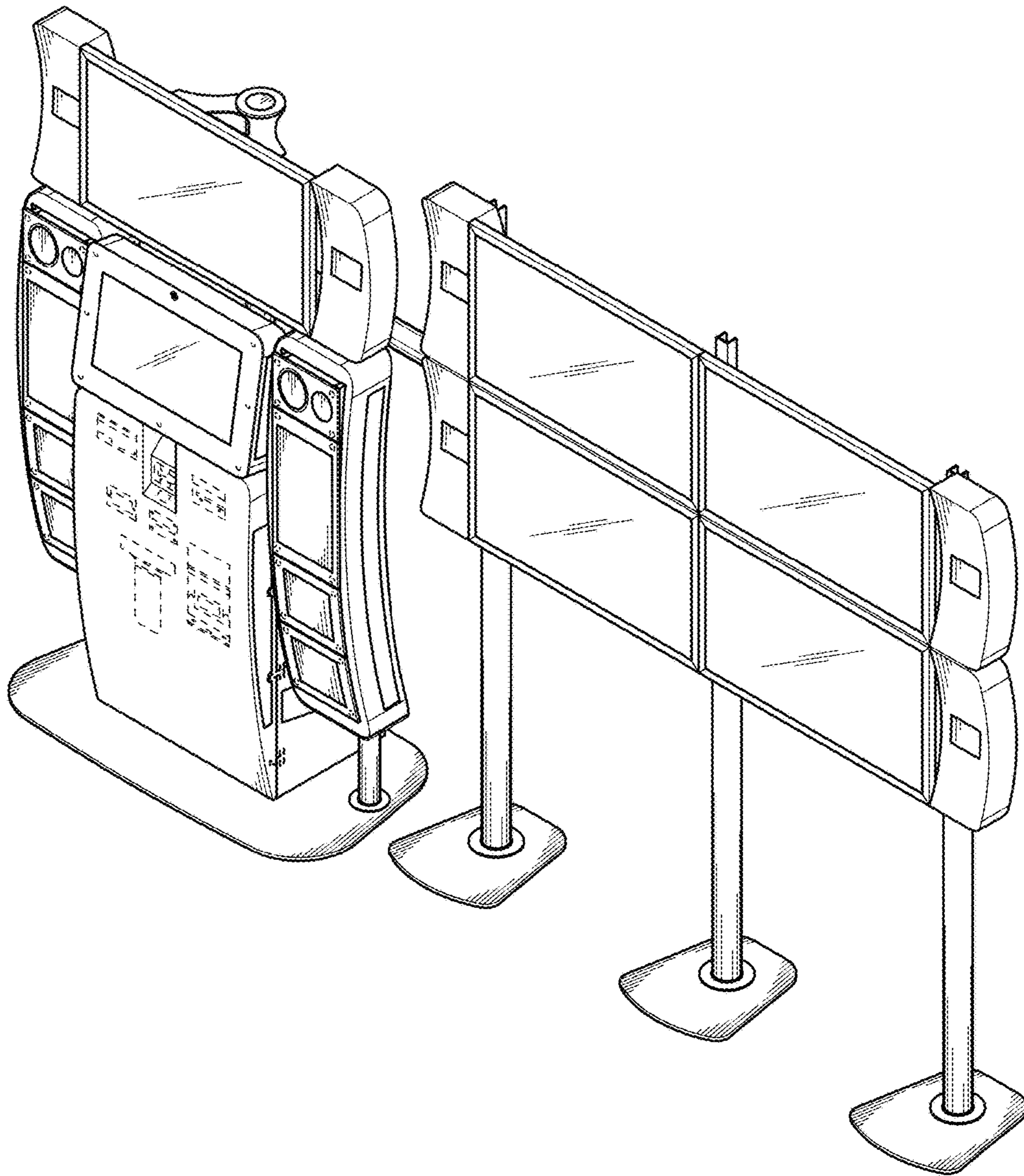


FIG. 8

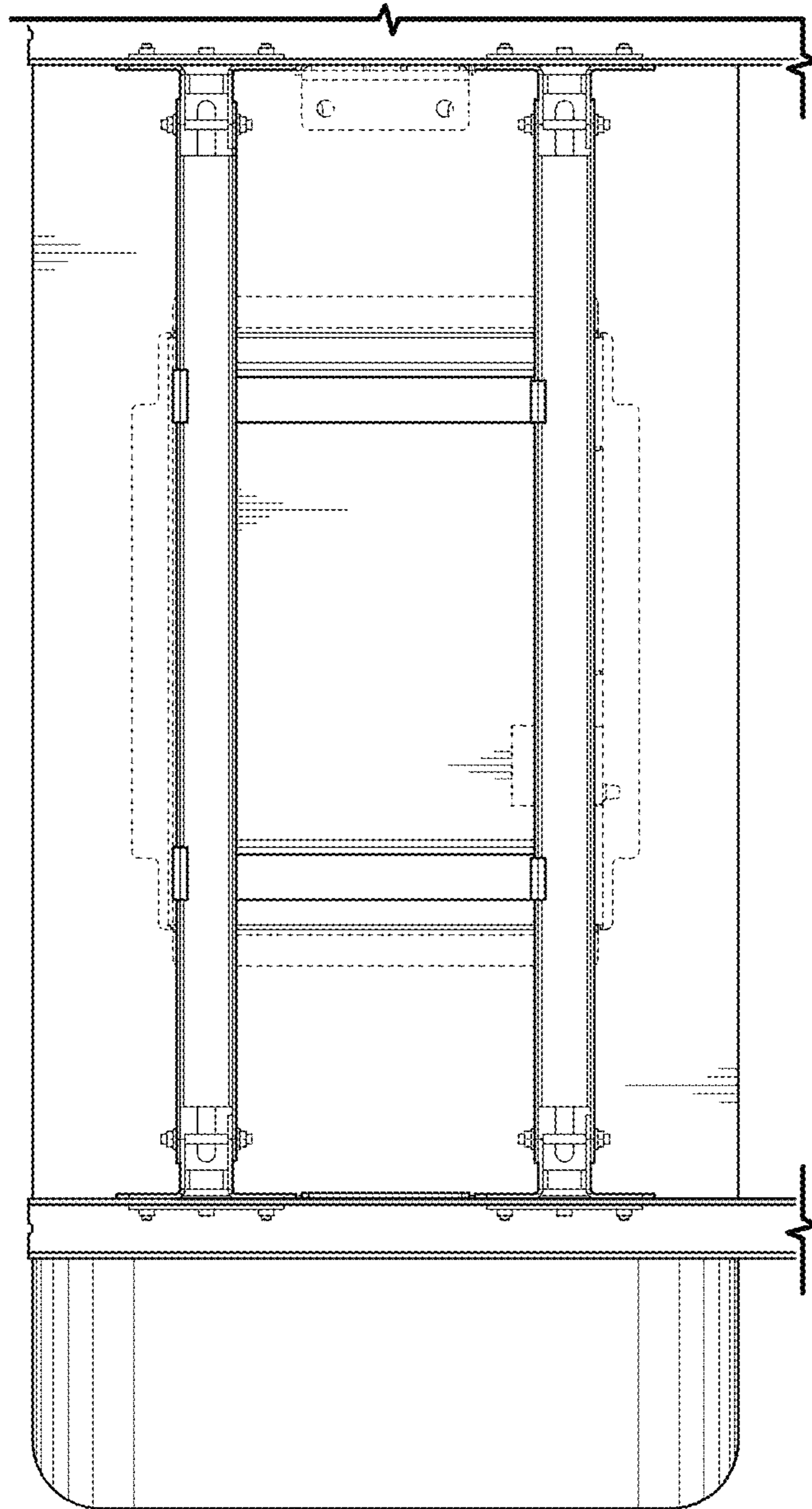


FIG. 9