



US00D809067S

(12) **United States Design Patent**  
**Steelman et al.**

(10) **Patent No.: US D809,067 S**  
(45) **Date of Patent: \*\* Jan. 30, 2018**

(54) <b>GAMING DEVICE</b>	6,334,612 B1 * 1/2002 Wurz ..... G07F 17/3216 273/143 R
(71) Applicant: <b>Competition Interactive LLC</b> , Las Vegas, NV (US)	D548,287 S * 8/2007 Yamanaka ..... D21/325 D570,922 S * 6/2008 Reetz ..... D21/325 D622,781 S * 8/2010 Lesley ..... D21/369 D673,621 S * 1/2013 Johnson ..... D21/369
(72) Inventors: <b>Paul Steelman</b> , Las Vegas, NV (US); <b>Keith Winters</b> , Las Vegas, NV (US)	8,439,761 B2 * 5/2013 O'Keene ..... G07F 17/32 463/46
(73) Assignee: <b>COMPETITION INTERACTIVE, LLC</b> , Las Vegas, NY (US)	D697,558 S * 1/2014 Myers ..... D21/325 D706,741 S * 6/2014 Myers ..... D14/172 D712,975 S * 9/2014 Lesley ..... D21/369 D719,617 S * 12/2014 Inoue ..... D21/369
(**) Term: <b>15 Years</b>	

\* cited by examiner

- (21) Appl. No.: **29/577,531**
- (22) Filed: **Sep. 13, 2016**
- (51) **LOC (11) Cl. .... 21-01**
- (52) **U.S. Cl.**  
USPC ..... **D21/325**; D14/172; D14/369
- (58) **Field of Classification Search**  
USPC ..... D14/172, 173, 203.1-203.7, 496, 188,  
D14/265; D21/324, 325, 369;  
273/148 B; 463/1, 28-35, 46, 47; 369/1,  
369/6-12, 24.01, 30.06, 30.07, 30.08,  
369/30.23; 710/1; 711/100, 111  
CPC ..... A63F 9/00; A63F 9/24; A63F 1/00; A63F  
3/00; G07F 17/32; G07F 17/3211; G07F  
17/3216; G07F 17/322; G07F 17/3272;  
G07F 17/3283  
See application file for complete search history.

*Primary Examiner* — Prabhakar Deshmukh  
(74) *Attorney, Agent, or Firm* — Durham Jones & Pinegar, P.C. Intellectual Property Law Group

(57) **CLAIM**

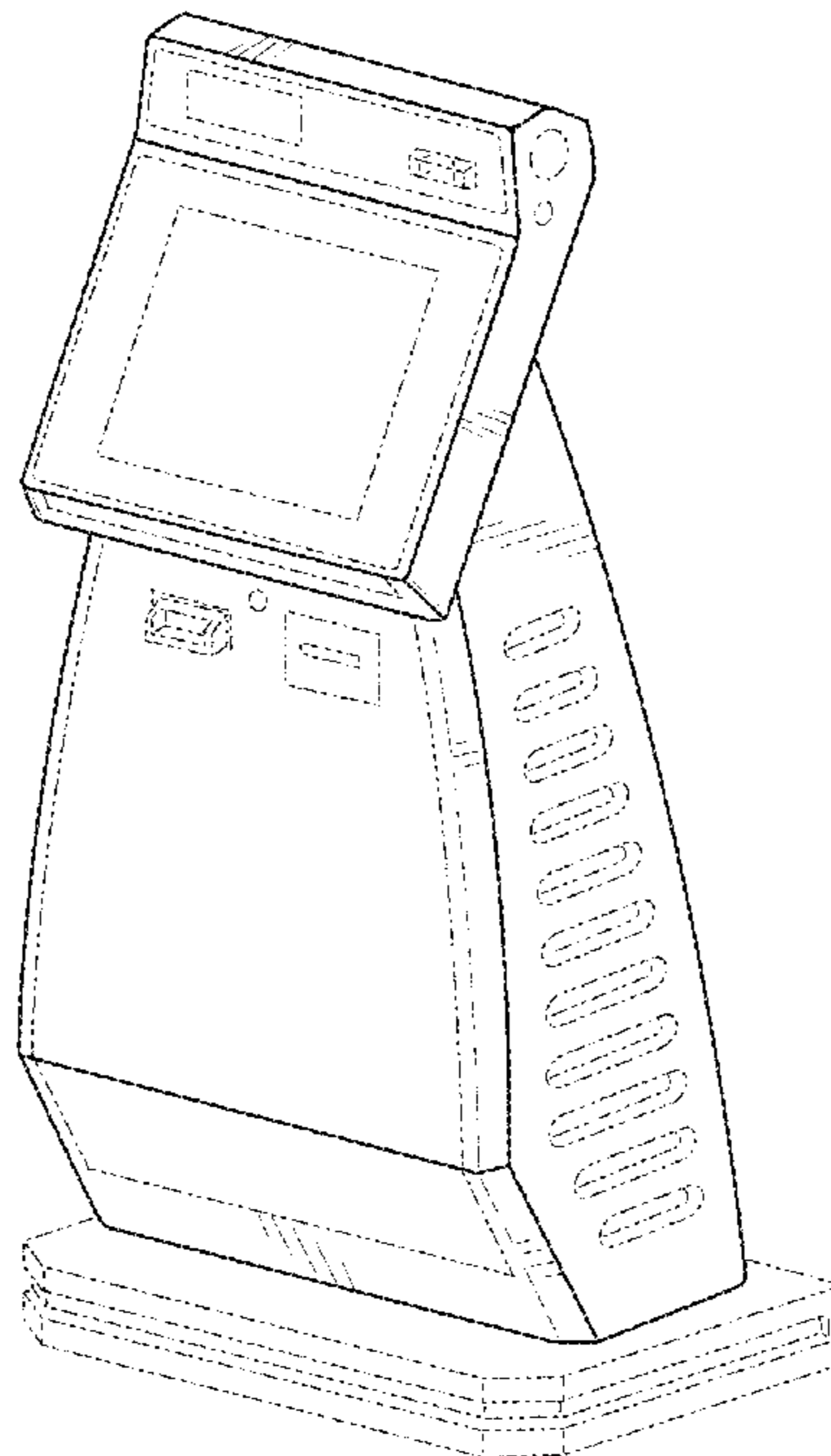
The ornamental design for a gaming device, as shown and described.

**DESCRIPTION**

FIG. 1 is a perspective view of a gaming device showing our new design;  
FIG. 2 is a front elevational view thereof;  
FIG. 3 is a rear elevational view thereof;  
FIG. 4 is a left side elevational view thereof;  
FIG. 5 is a right side elevational view thereof;  
FIG. 6 is a top plan view thereof; and,  
FIG. 7 is a bottom plan view thereof.  
The broken lines illustrate unclaimed portions and form no part of the claimed design.

- (56) **References Cited**  
U.S. PATENT DOCUMENTS  
4,850,591 A \* 7/1989 Takezawa ..... A63F 13/06  
463/37  
5,813,914 A \* 9/1998 McKay ..... G07F 17/32  
273/143 R

**1 Claim, 2 Drawing Sheets**



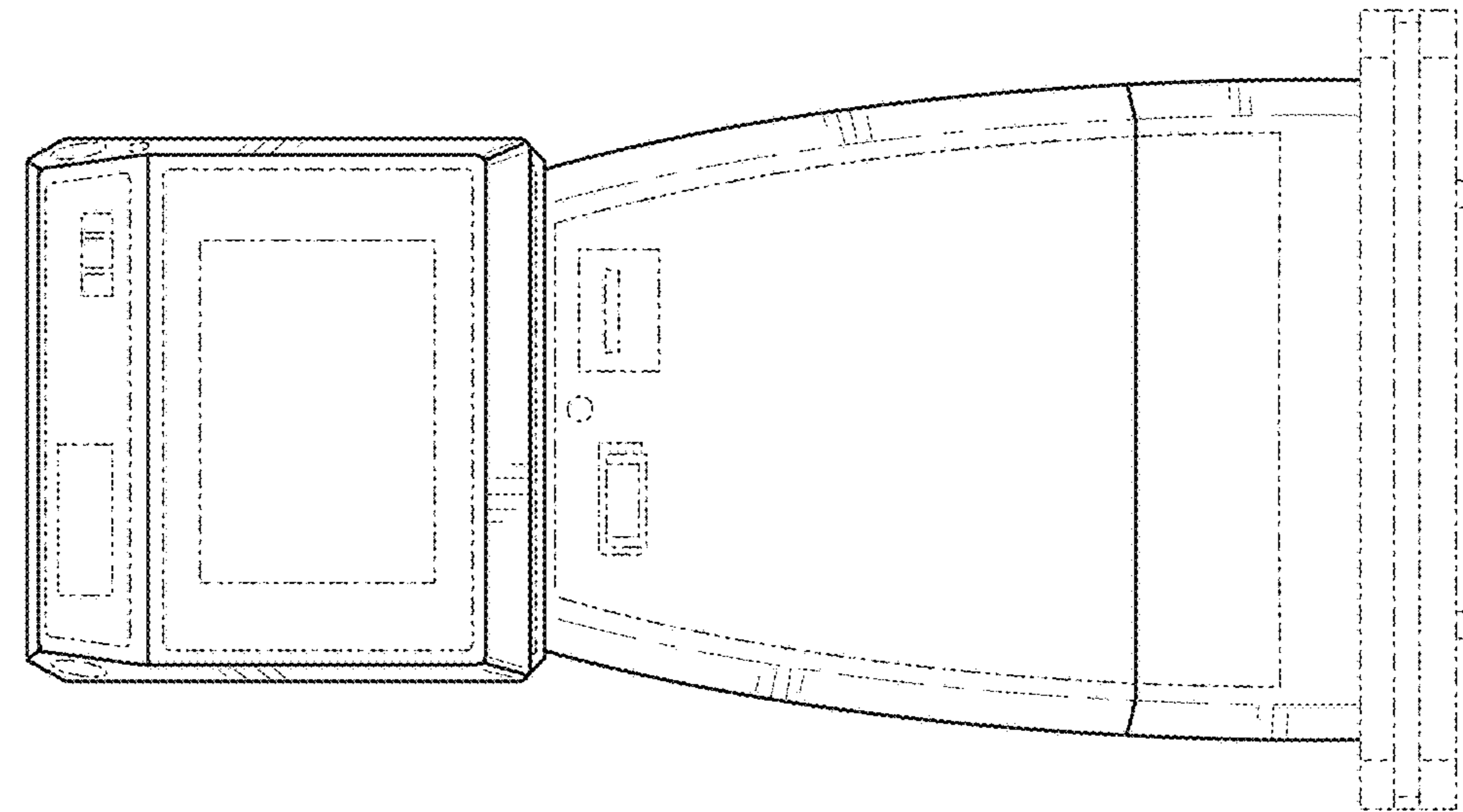


FIG. 3

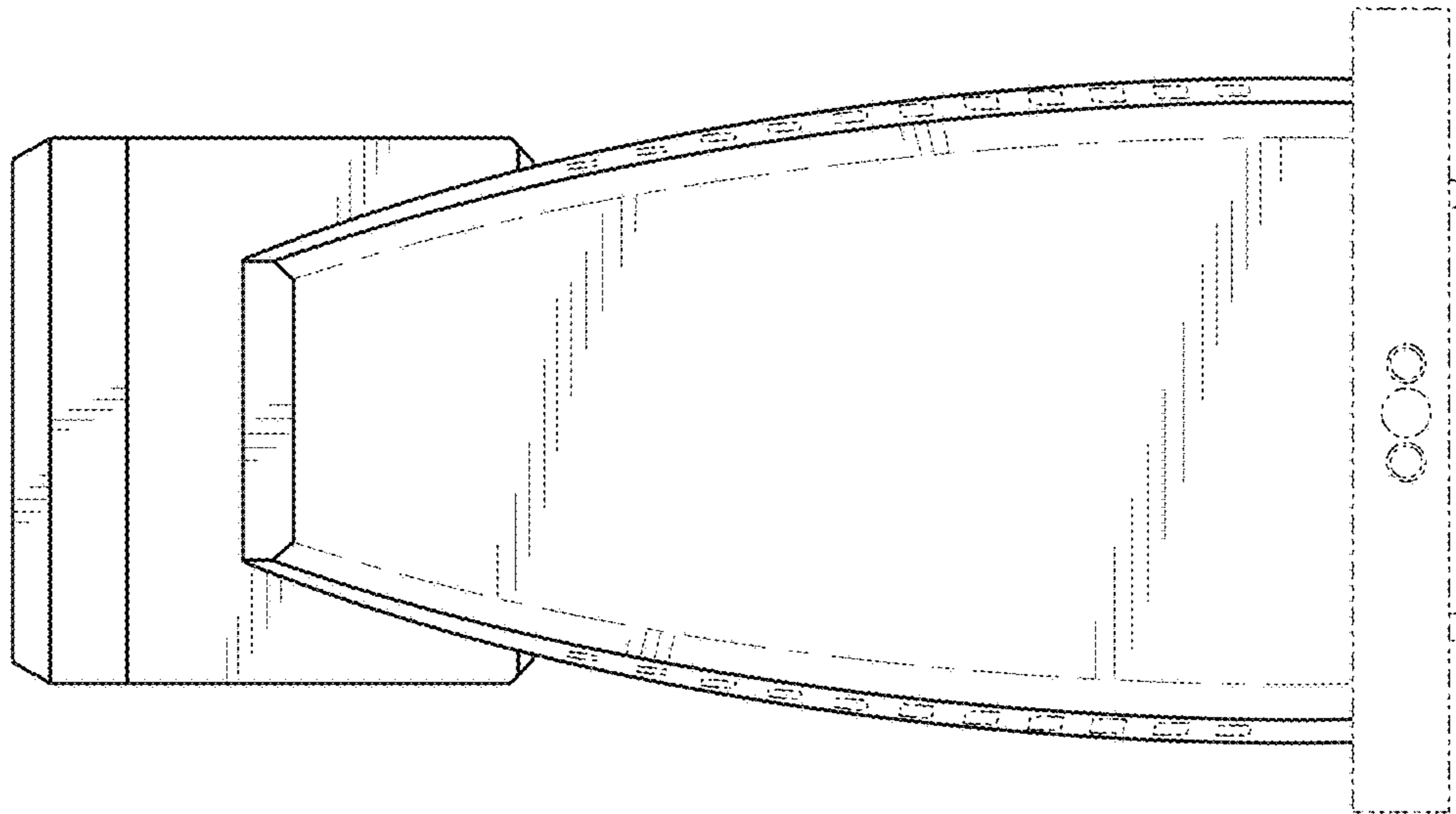


FIG. 2

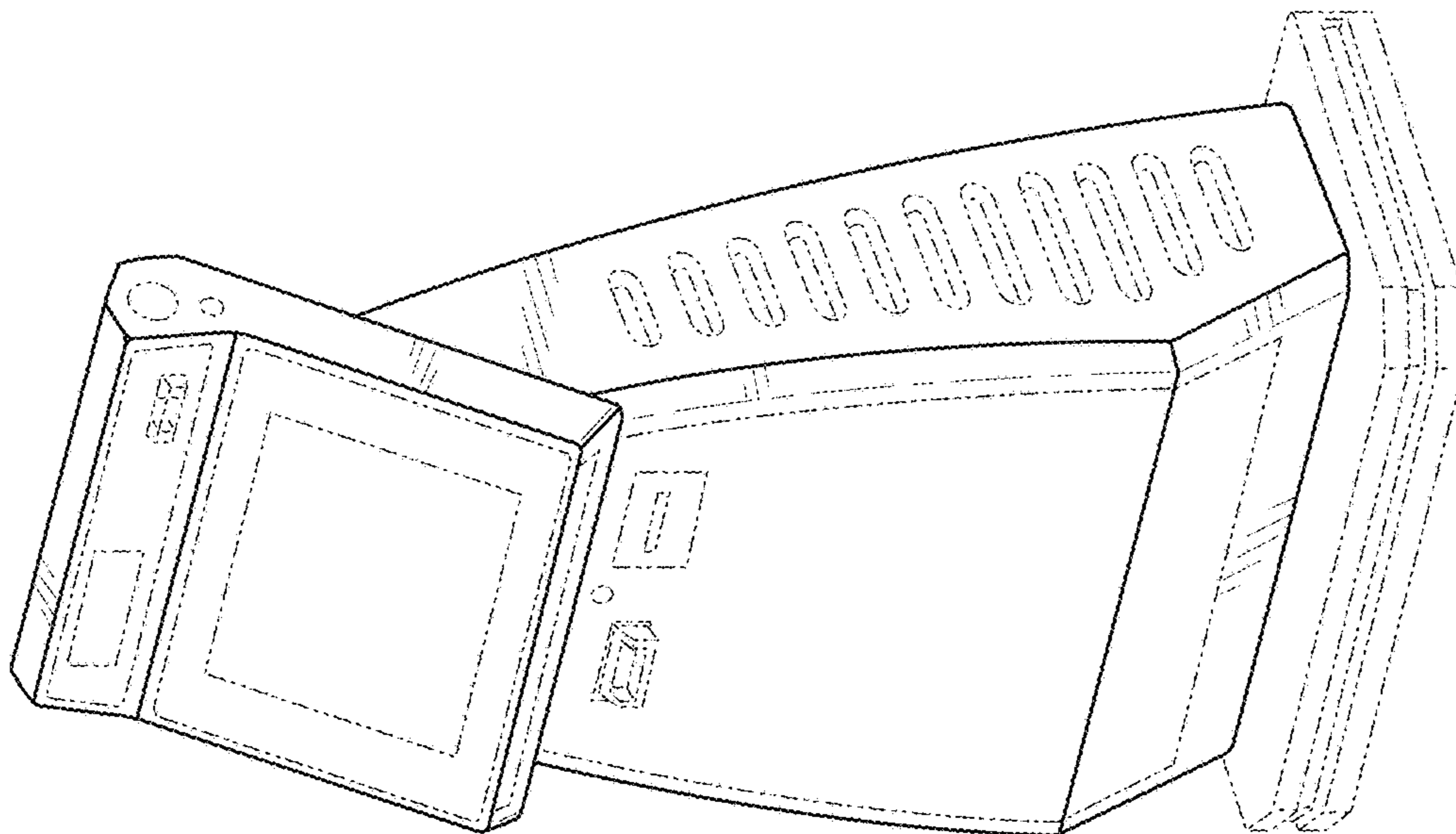


FIG. 1

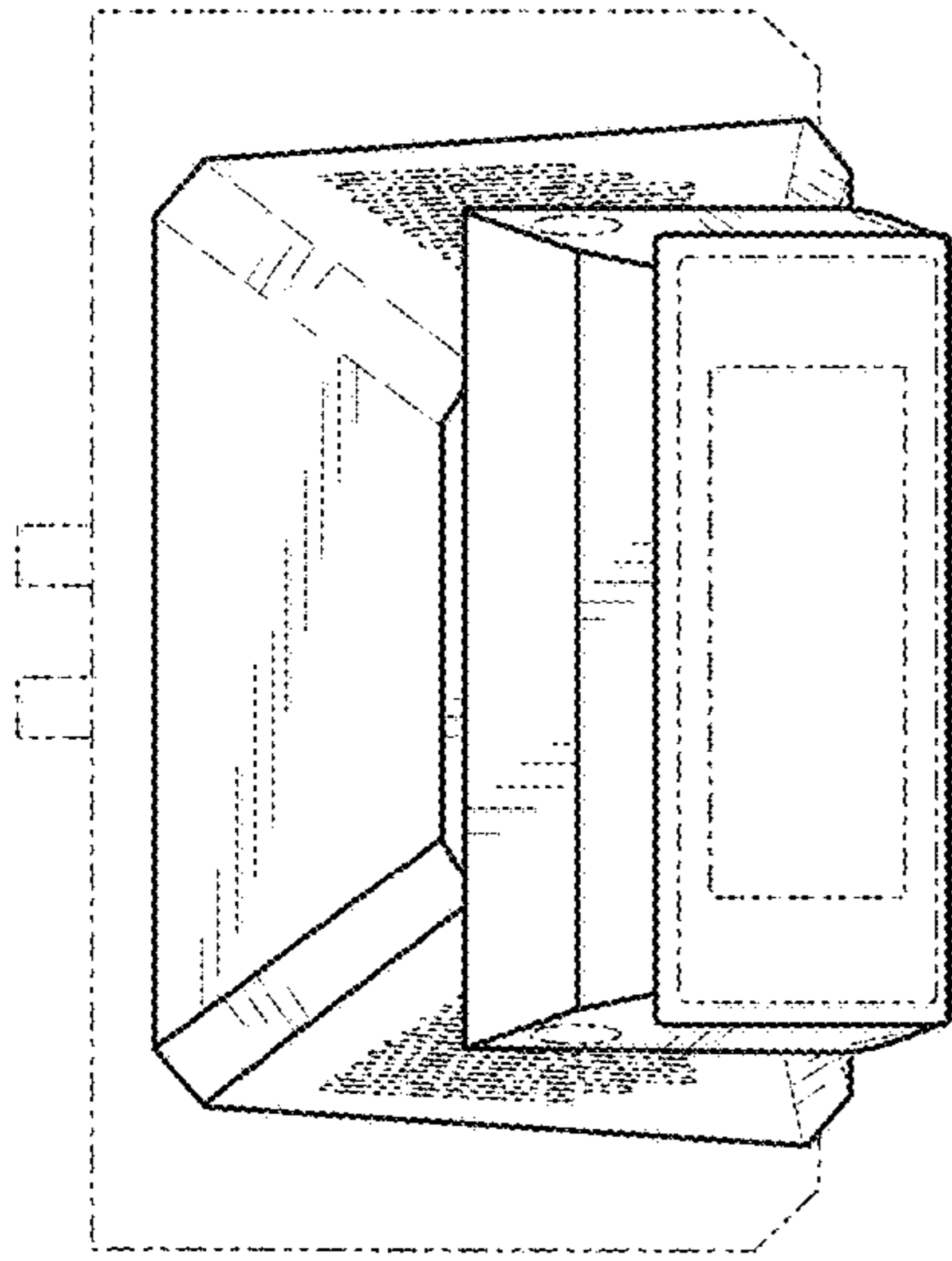


FIG. 6

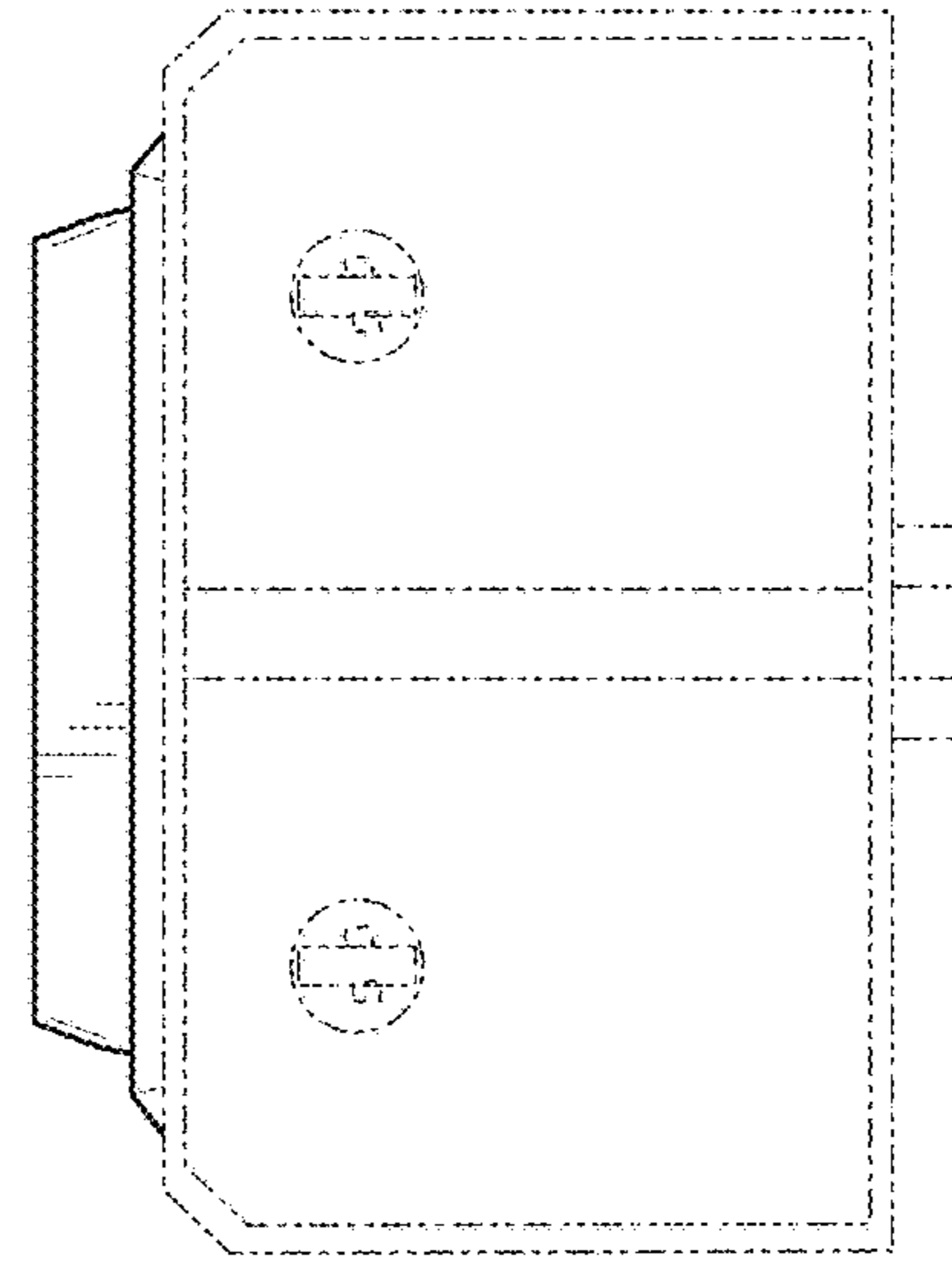


FIG. 7

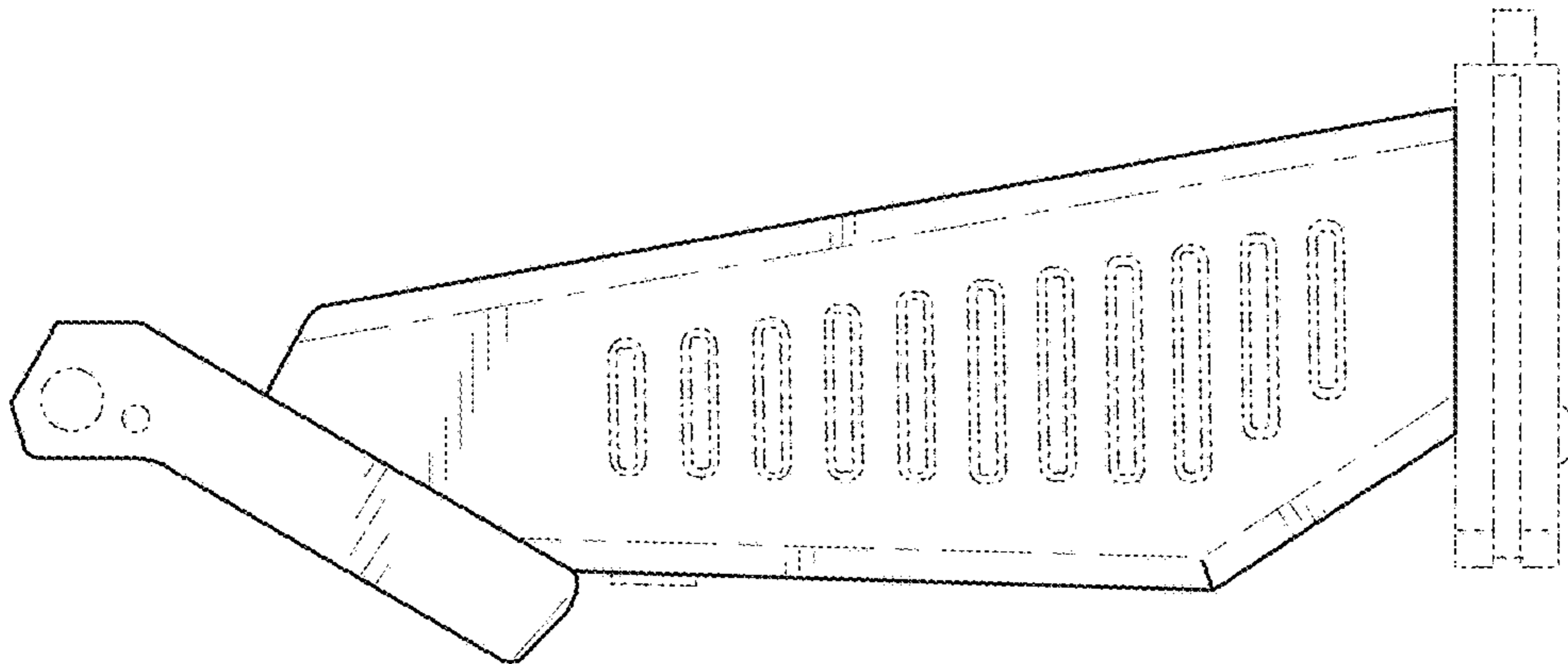


FIG. 5

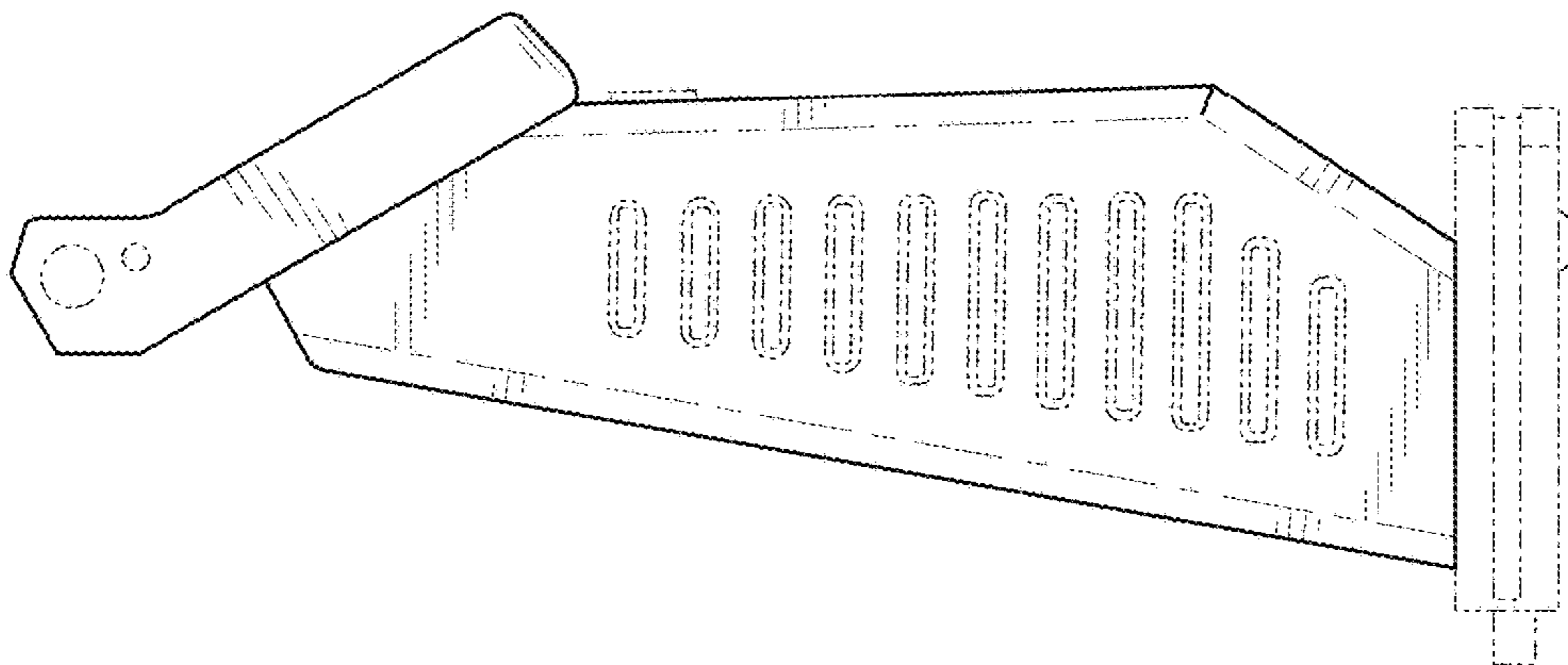


FIG. 4