



US00D809064S

(12) **United States Design Patent**  
**Cureton et al.**

(10) **Patent No.:** **US D809,064 S**  
(45) **Date of Patent:** **\*\* Jan. 30, 2018**

- (54) **RETAIL LOCATOR TAG**
- (71) Applicant: **American Greetings Corporation**,  
Cleveland, OH (US)
- (72) Inventors: **Robert Cureton**, Medina, OH (US);  
**David Paulini**, Cleveland, OH (US)
- (73) Assignee: **American Greetings Corporation**,  
Cleveland, OH (US)
- (\*\*) Term: **15 Years**
- (21) Appl. No.: **29/560,091**
- (22) Filed: **Apr. 2, 2016**
- (51) **LOC (11) Cl.** ..... **19-08**
- (52) **U.S. Cl.**  
USPC ..... **D20/22**
- (58) **Field of Classification Search**  
USPC ..... D20/10, 11, 22-29, 35, 39, 40-43, 99;  
D9/457  
CPC ..... G09F 1/00; G09F 1/02; G09F 2003/023;  
G09F 2003/0261; G09F 2003/0264; G09F  
7/00; G09F 3/206; G09F 13/00; G09F  
2007/1807; G09F 13/04; G09F  
2013/0427; G09F 2013/0495; G09D 3/00  
See application file for complete search history.

(56) **References Cited**

**U.S. PATENT DOCUMENTS**

D268,010 S *	2/1983	O'Brien	.....	D20/40
D449,992 S *	11/2001	Blackburn	.....	D9/457
D482,970 S *	12/2003	Kumakura	.....	D9/415
6,679,970 B2 *	1/2004	Hwang	.....	B42D 15/025 156/250
D515,926 S *	2/2006	Wahl	.....	D9/418
D516,427 S *	3/2006	Richardson	.....	D9/457
D556,265 S *	11/2007	Cuzzocrea	.....	D20/40
D559,905 S *	1/2008	Halbur	.....	D19/9
D608,395 S	1/2010	Engelby et al.		

D614,490 S *	4/2010	Ouimette	.....	D20/22
D623,235 S *	9/2010	Engelby	.....	G09F 3/202 D20/22
D623,236 S	9/2010	Engelby et al.		
D633,570 S	3/2011	Hilyard et al.		
7,975,416 B2 *	7/2011	Engelby	.....	G09F 1/04 40/638
D647,572 S *	10/2011	Engelby	.....	D20/40
D692,496 S *	10/2013	Engelby	.....	D20/40
D694,828 S *	12/2013	Ricci	.....	D20/42
D703,761 S *	4/2014	Engelby	.....	D20/40
8,707,600 B2 *	4/2014	Engelby	.....	G09F 3/204 40/124.05

(Continued)

*Primary Examiner* — Mary Ann Calabrese  
*Assistant Examiner* — Rebecca S Rozin  
(74) *Attorney, Agent, or Firm* — Christine Flanagan

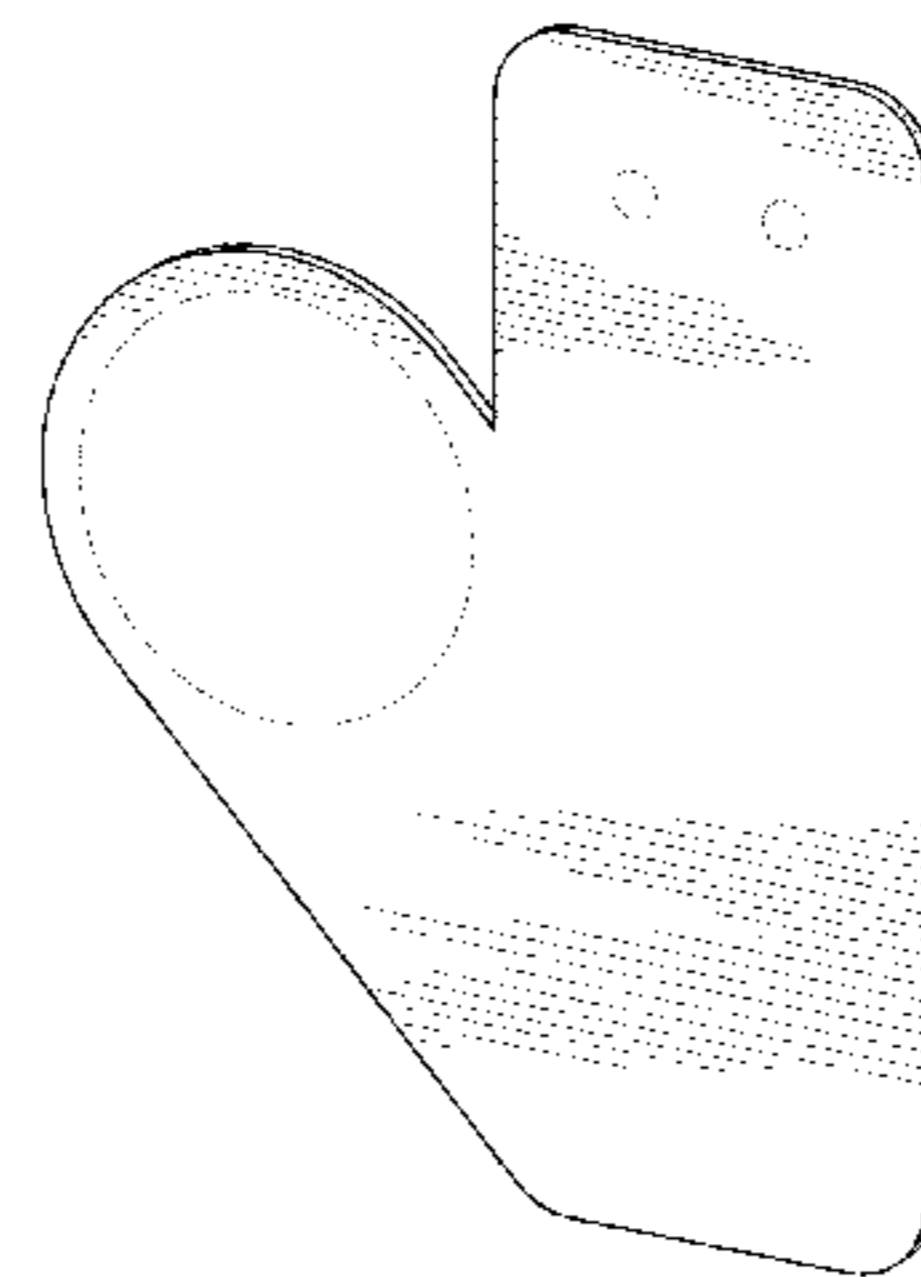
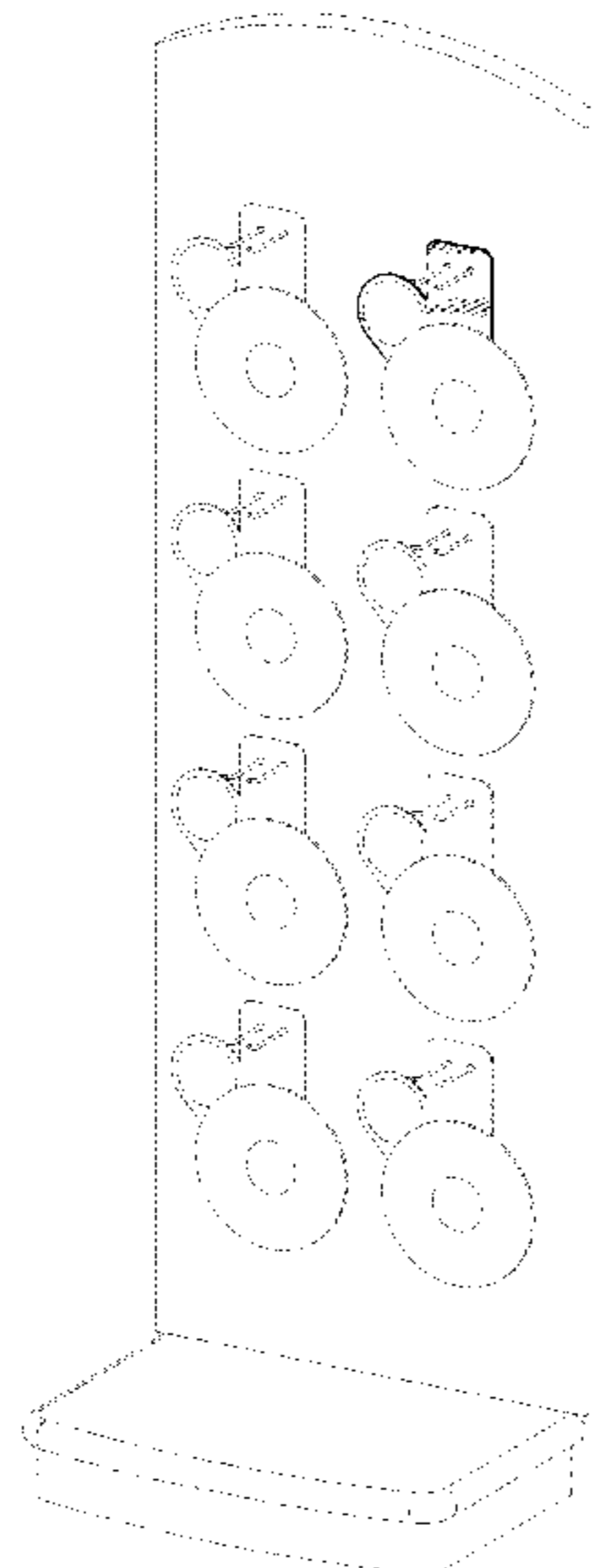
(57) **CLAIM**

The ornamental design for a retail locator tag, as shown and described.

**DESCRIPTION**

FIG. 1 is perspective view of a retail display with the retail locator tag of the present invention attached thereto. FIG. 2 is a perspective view of the retail locator tag of the present invention. FIG. 3 is a front view of the retail locator tag of FIG. 2. FIG. 4 is rear view of the retail locator tag of FIG. 2. FIG. 5 is a right side view of the retail locator tag of FIG. 2. FIG. 6 is a left side view of the retail locator tag of FIG. 2. FIG. 7 is a top down view of the retail locator tag of FIG. 2; and, FIG. 8 is a bottom up view of the retail locator tag of FIG. 2. The broken lines are for the purpose of illustrating the environment of the design only and form no part of the claimed design.

**1 Claim, 3 Drawing Sheets**



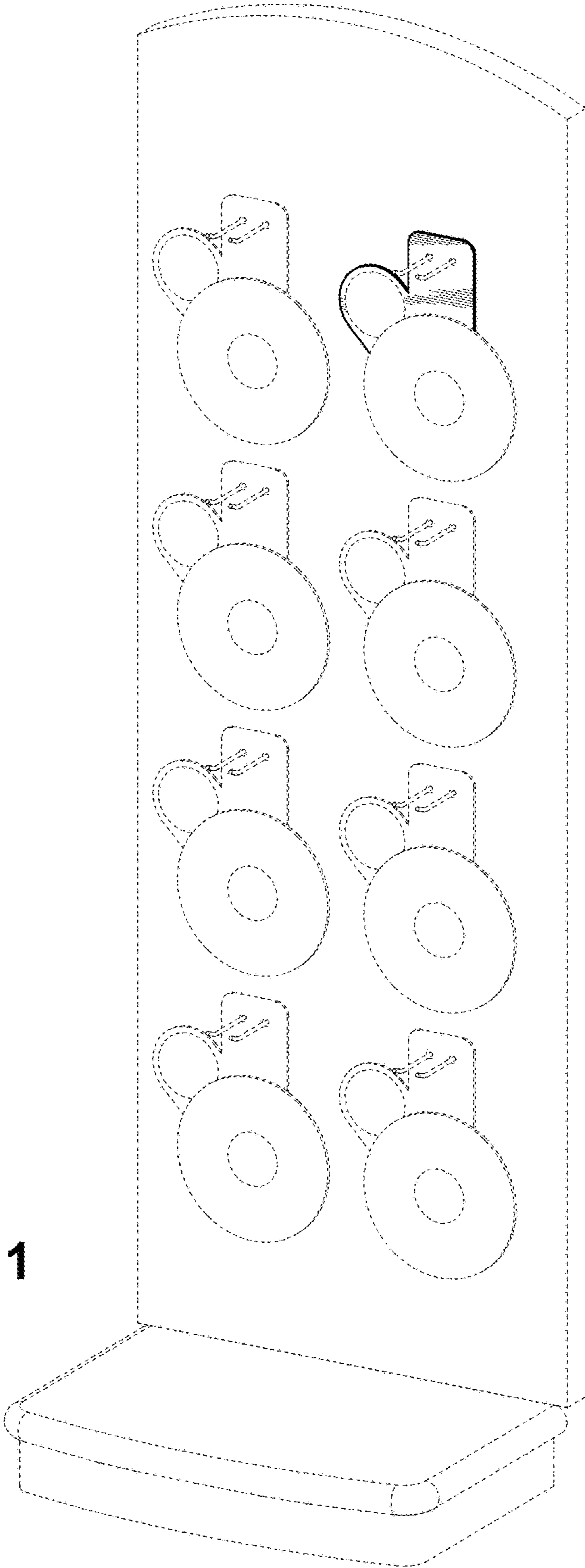
(56)

**References Cited**

U.S. PATENT DOCUMENTS

D735,031 S *	7/2015	Markle .....	D9/434
D741,408 S *	10/2015	Engelby .....	D20/40
D751,403 S *	3/2016	Phillips .....	D9/457
D766,731 S *	9/2016	Sekhon .....	D9/415
2005/0194090 A1 *	9/2005	Milliorn .....	B31D 1/021 156/247

\* cited by examiner



**Fig. 1**

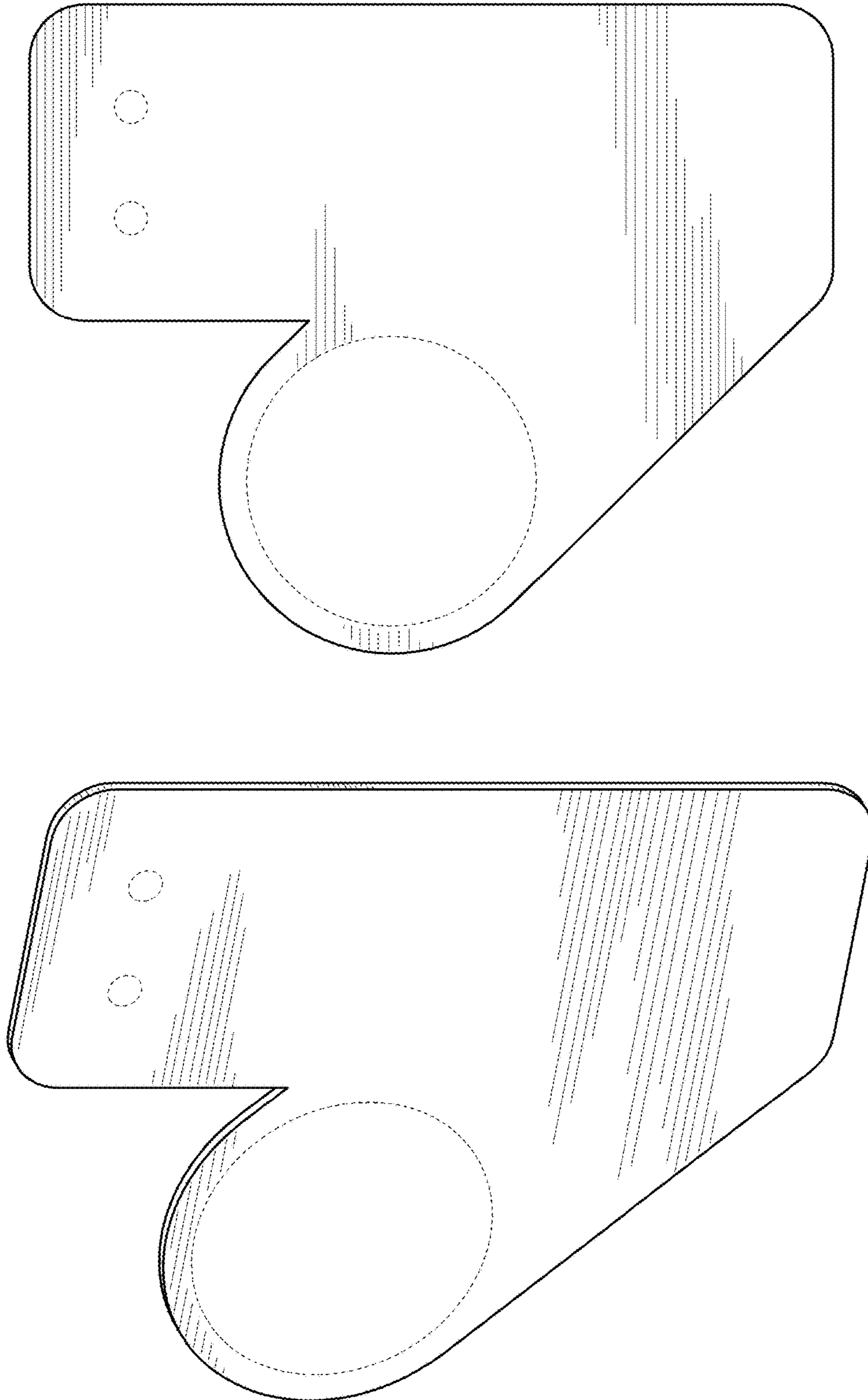
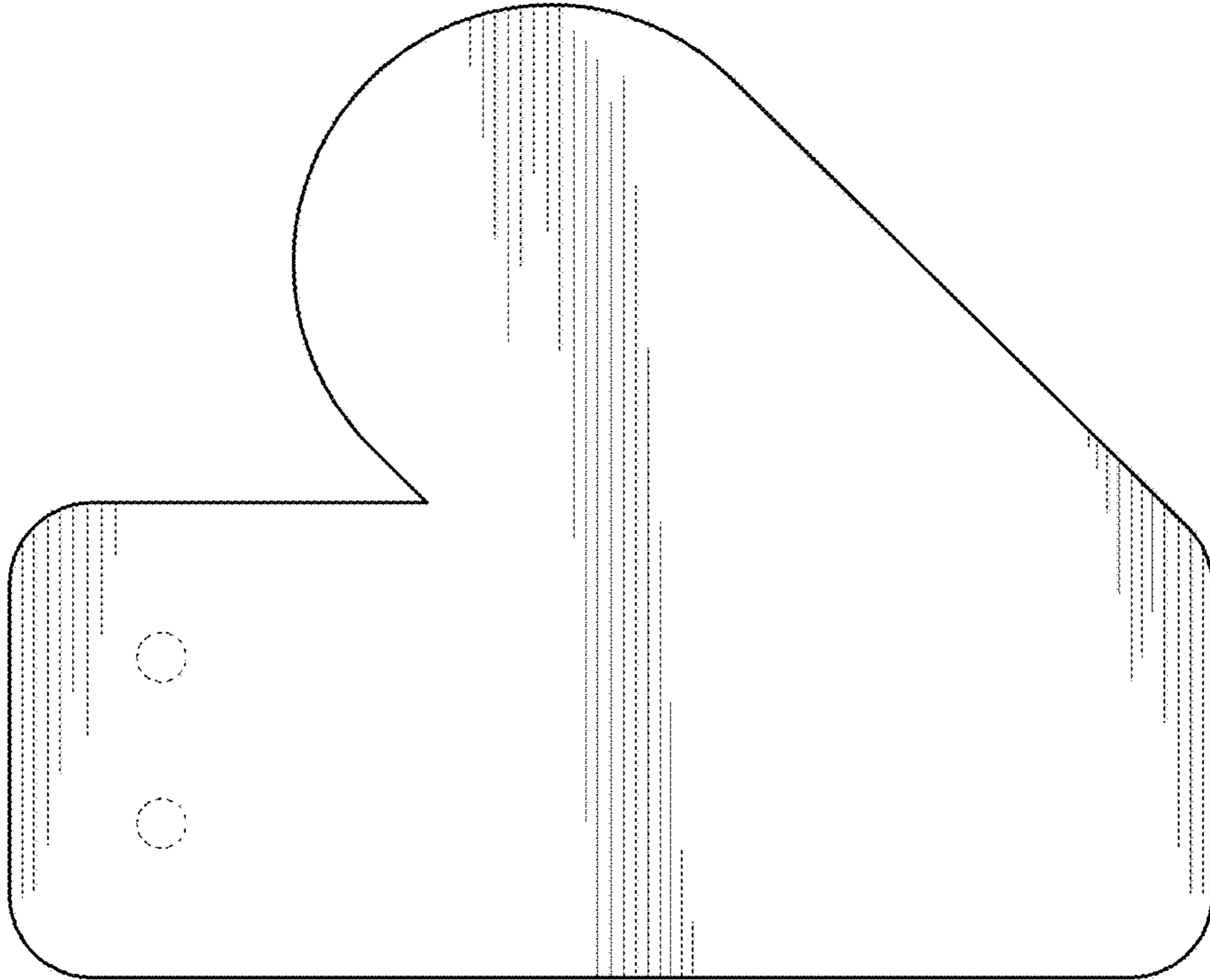
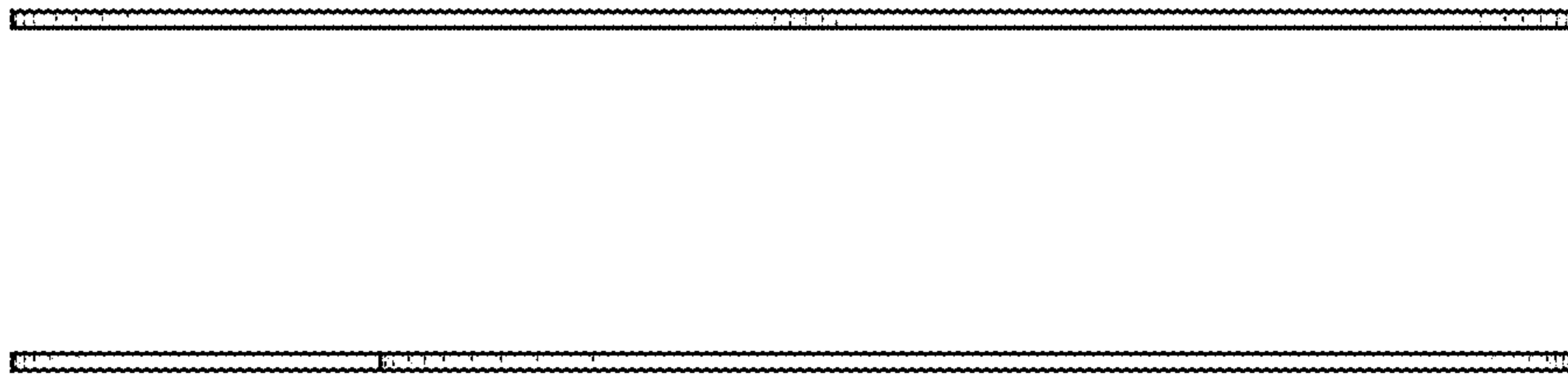


Fig. 3

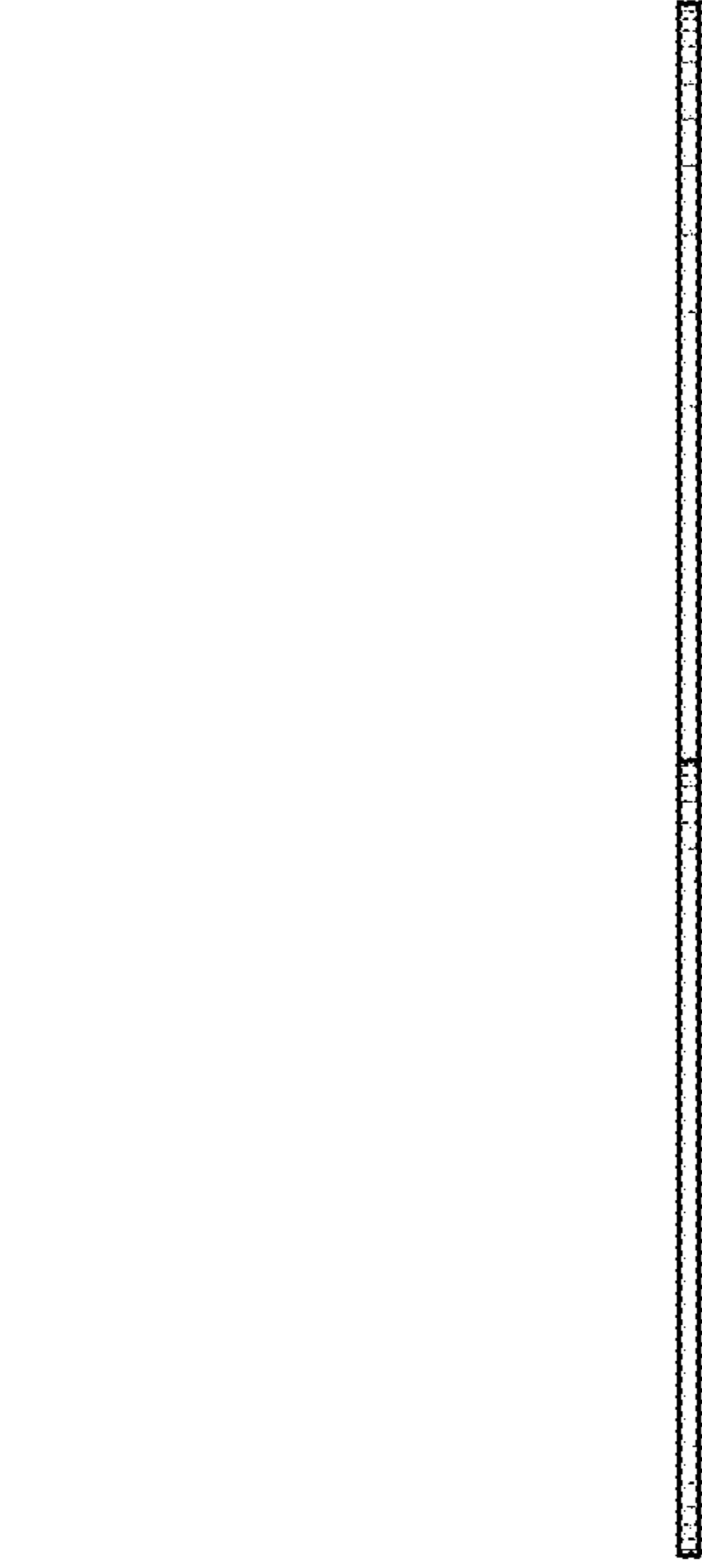
Fig. 2



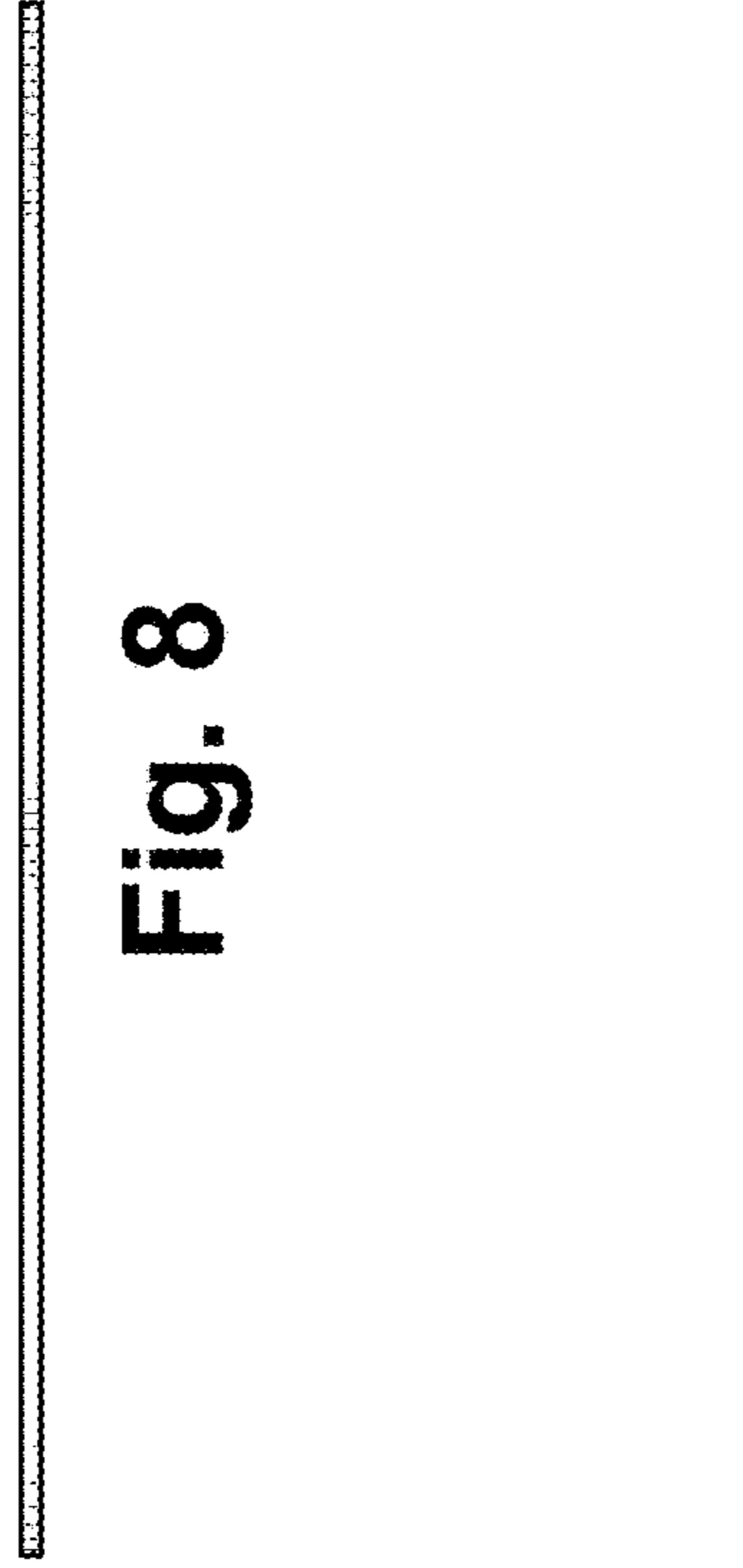
**Fig. 4**



**Fig. 5**



**Fig. 7**



**Fig. 8**