



US00D809060S

(12) **United States Design Patent**
Zhang

(10) **Patent No.:** **US D809,060 S**
(45) **Date of Patent:** **** Jan. 30, 2018**

- (54) **CAP HOLDER FOR STYLUS PENCIL**
- (71) Applicant: **Zhiguang Zhang**, Guangzhou (CN)
- (72) Inventor: **Zhiguang Zhang**, Guangzhou (CN)
- (**) Term: **15 Years**
- (21) Appl. No.: **29/566,379**
- (22) Filed: **May 28, 2016**
- (51) **LOC (11) Cl.** **19-06**
- (52) **U.S. Cl.**
USPC **D19/194**
- (58) **Field of Classification Search**
USPC D9/436, 446, 723; D14/411;
D19/115-204, 81-85, 66, 70, 71
CPC ... B43K 5/00; B43K 7/00; B43K 7/12; B43K
8/04; B43K 8/06; B43K 19/00; B43K
19/02; B43K 19/14; B43K 24/08
See application file for complete search history.

- D318,427 S * 7/1991 Sherburne, Jr. 215/388
- 5,044,512 A * 9/1991 Giancaspro A47G 19/2222
215/306
- D324,824 S * 3/1992 Hansen 215/388
- D327,848 S * 7/1992 Hanover 215/388
- 5,590,971 A * 1/1997 Melnick B43K 23/122
401/202
- D385,914 S * 11/1997 Shimizu D19/173
- D389,188 S * 1/1998 Conforti 401/202
- 5,733,448 A * 3/1998 Kaura C02F 1/003
210/238
- 6,010,034 A * 1/2000 Walthers A47G 19/2266
222/129

(Continued)

Primary Examiner — Elizabeth Albert
(74) *Attorney, Agent, or Firm* — Novoclaims Patent
Services LLC; Mei Lin Wong

(57) **CLAIM**

The ornamental design for a cap holder for stylus pencil, as shown and described.

(56) **References Cited**

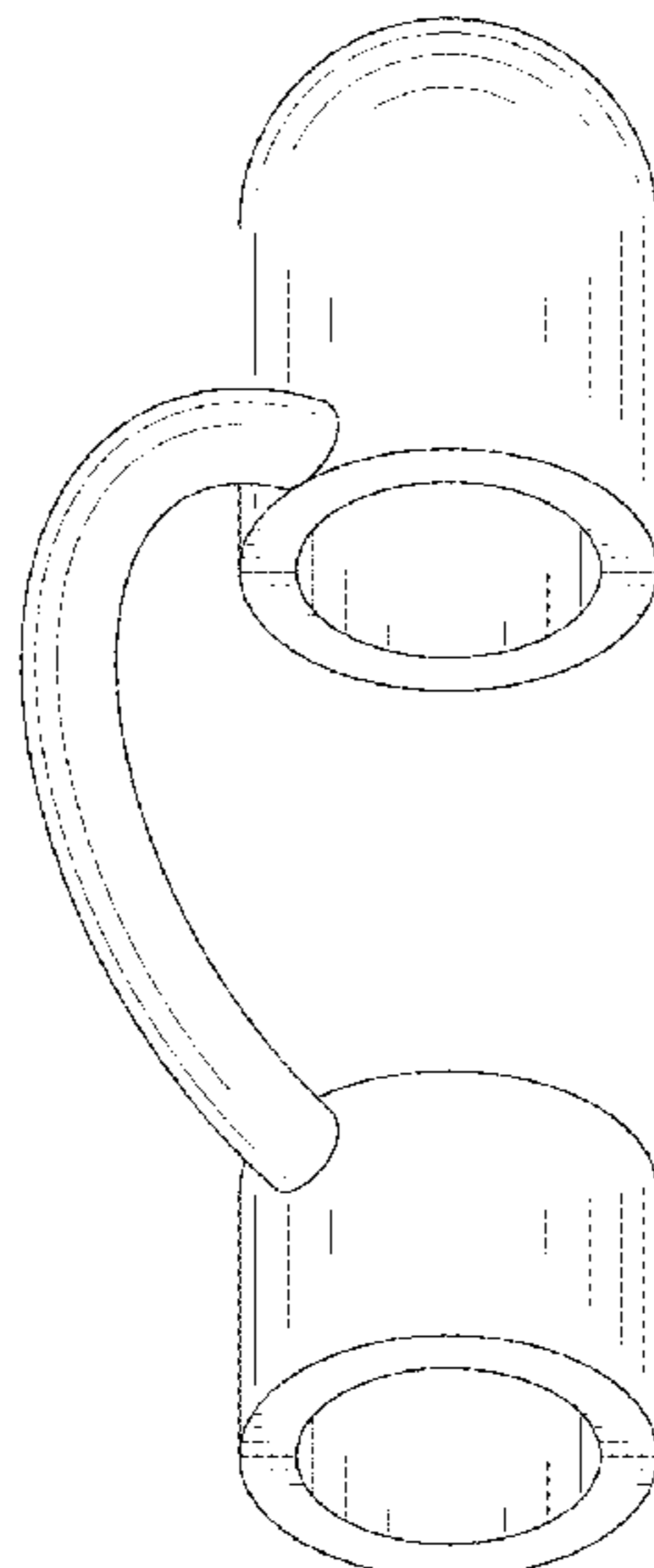
U.S. PATENT DOCUMENTS

- 1,244,974 A * 10/1917 Gerdom B43K 1/08
401/216
- 1,423,448 A * 7/1922 O'Connor 401/202
- 1,464,214 A * 8/1923 Ollerenshaw B43M 11/06
401/264
- 1,509,008 A * 9/1924 Wallace B43K 5/06
401/182
- 2,613,988 A * 10/1952 Jarbeau B65D 77/283
215/388
- 2,884,151 A * 4/1959 Biederman B65D 47/148
215/307
- 2,955,468 A * 10/1960 Hein, Jr. G01K 5/06
215/306
- D193,121 S * 6/1962 Wickman D9/446
- 4,090,647 A * 5/1978 Dunning G01F 11/082
222/543
- 4,298,475 A * 11/1981 Gartner A47G 21/188
210/266

DESCRIPTION

FIG. 1 is a perspective view of a cap holder for stylus pencil showing my new design.
 FIG. 2 is a front view thereof.
 FIG. 3 is a rear view thereof.
 FIG. 4 is a left end view thereof.
 FIG. 5 is a right end view thereof.
 FIG. 6 is a top view thereof.
 FIG. 7 is a bottom view thereof.
 FIG. 8 is a perspective view shown in a first position of use; and,
 FIG. 9 is a perspective view shown in a second position of use.
 The broken lines in the drawings represent unclaimed environmental subject matter that forms no part of the claimed design.

1 Claim, 9 Drawing Sheets



(56)

References Cited

U.S. PATENT DOCUMENTS

6,200,046 B1 * 3/2001 Rylander B43K 23/08
401/195
D449,092 S * 10/2001 Brog D19/194
D528,798 S * 9/2006 Molina D3/318
D530,857 S * 10/2006 Black D28/7
D575,570 S * 8/2008 Antonelli D7/300.2
D595,350 S * 6/2009 Paz D19/117
D601,311 S * 9/2009 DeSeguirant, Jr. D30/160
D682,017 S * 5/2013 Smiedt D7/392.1
D716,871 S * 11/2014 Chang D19/117
D719,526 S 12/2014 Martinek
D776,534 S * 1/2017 Stratton D7/300.2
9,586,733 B2 * 3/2017 Garza B65D 47/14

* cited by examiner

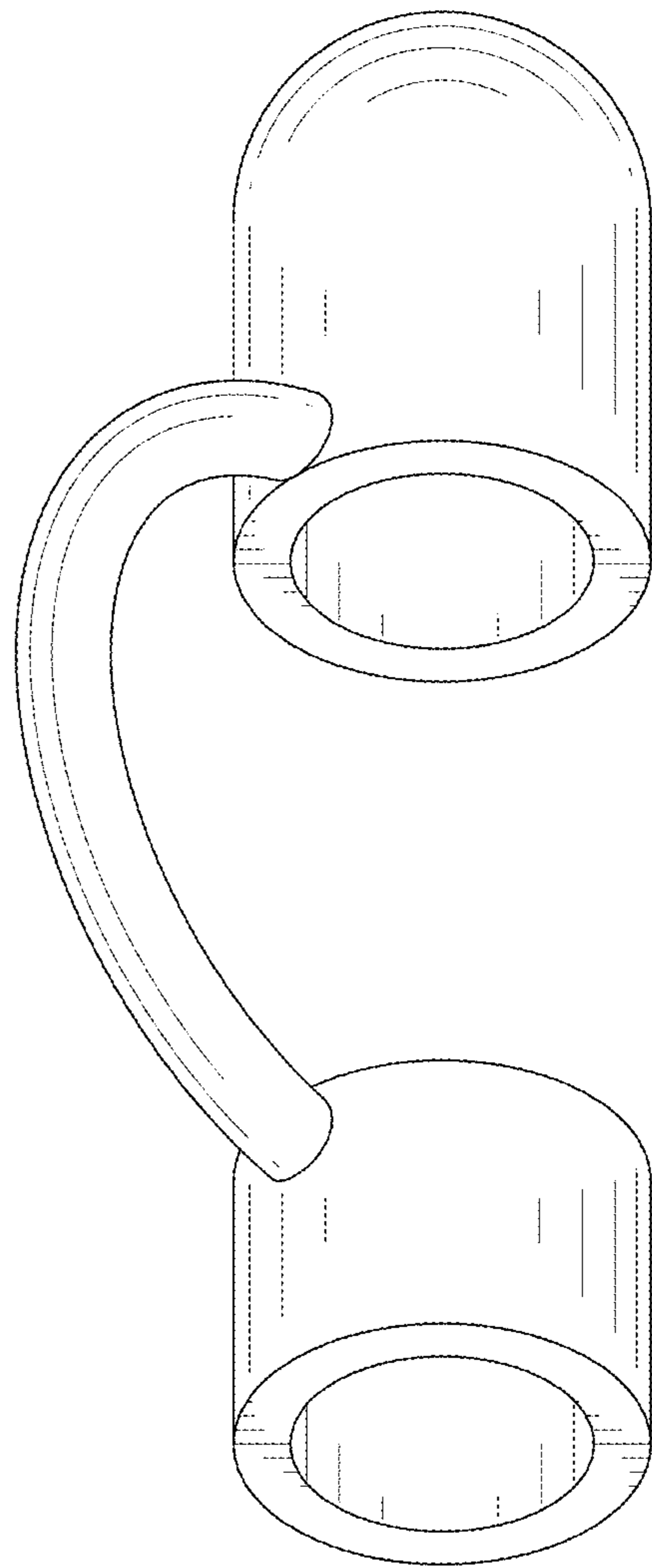


FIG.1

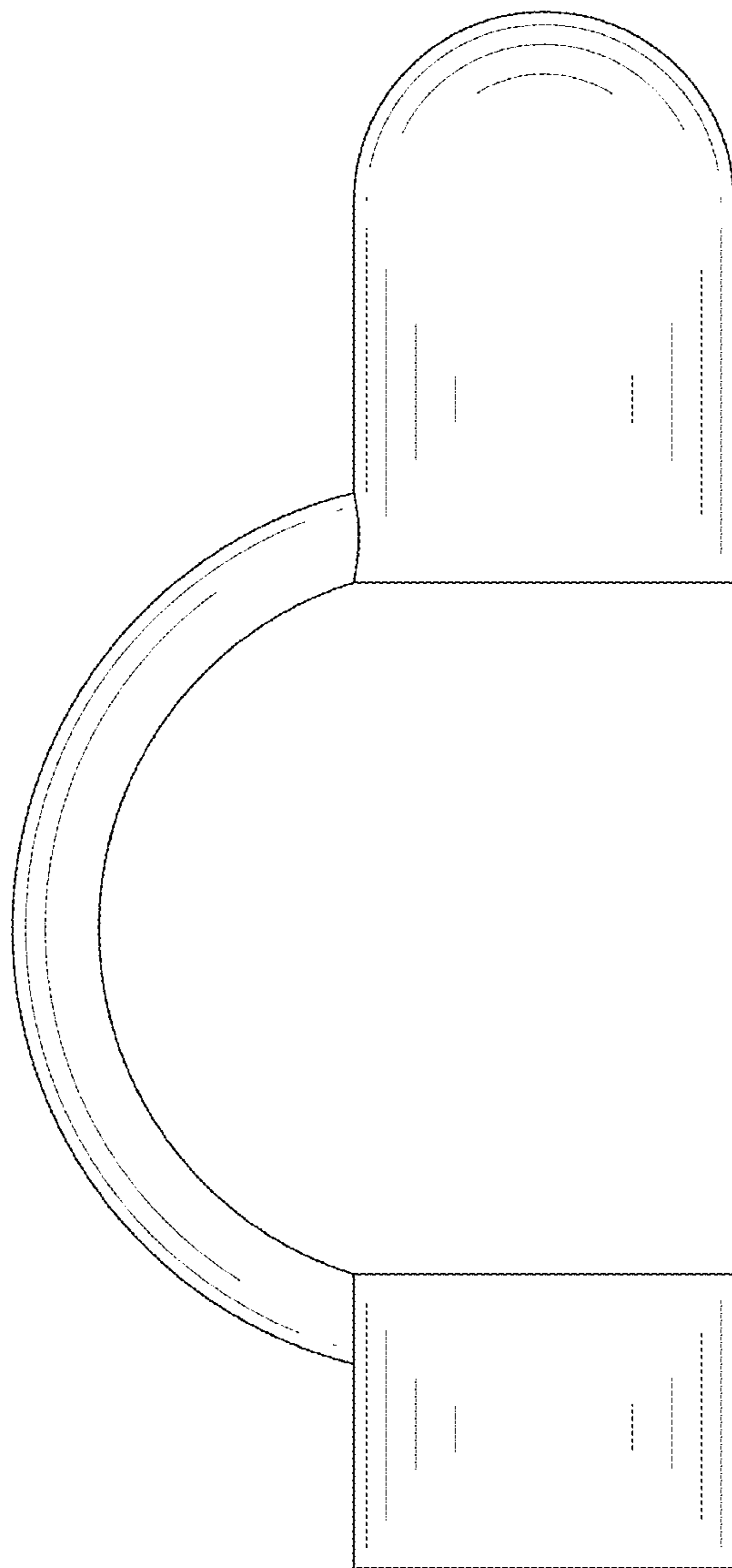


FIG.2

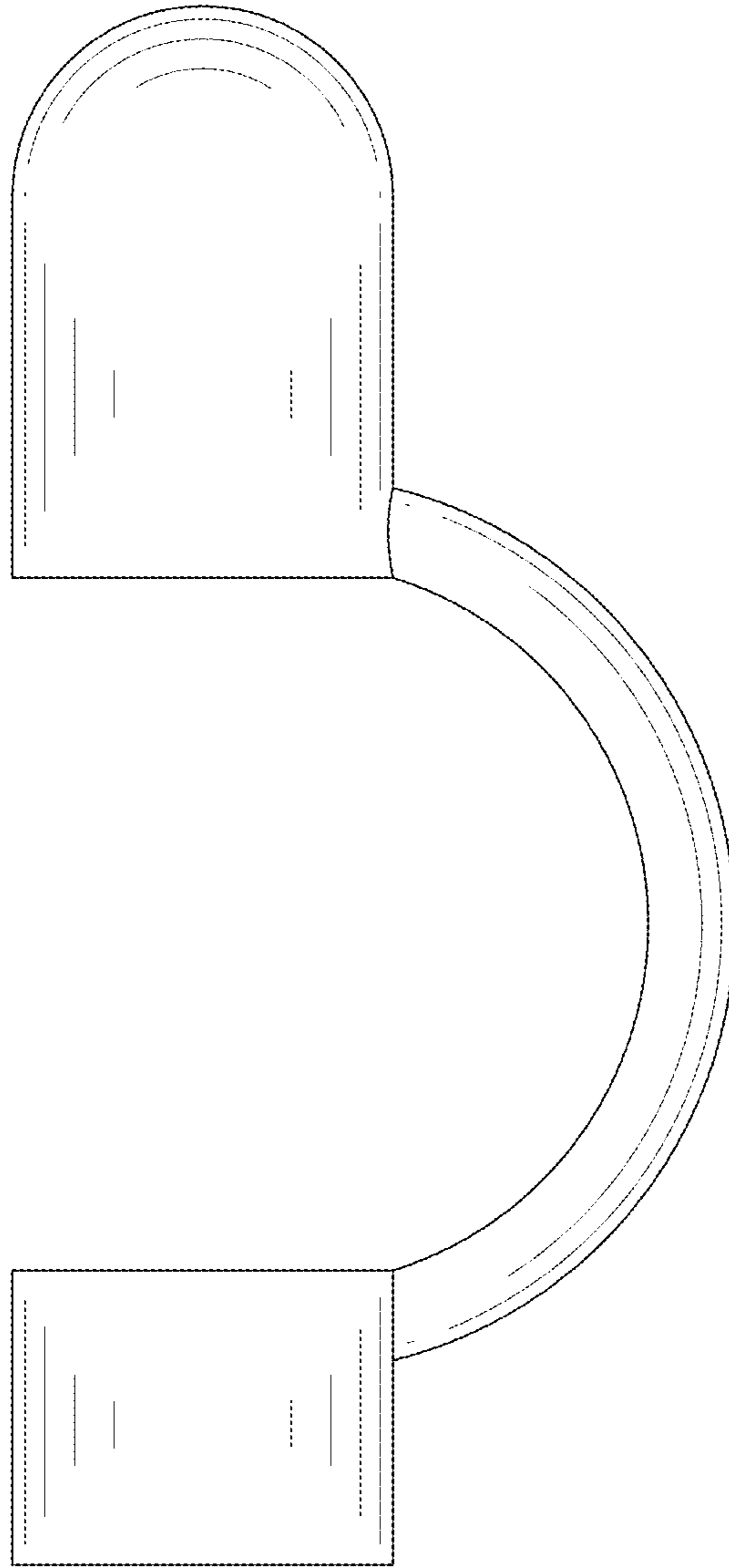


FIG.3

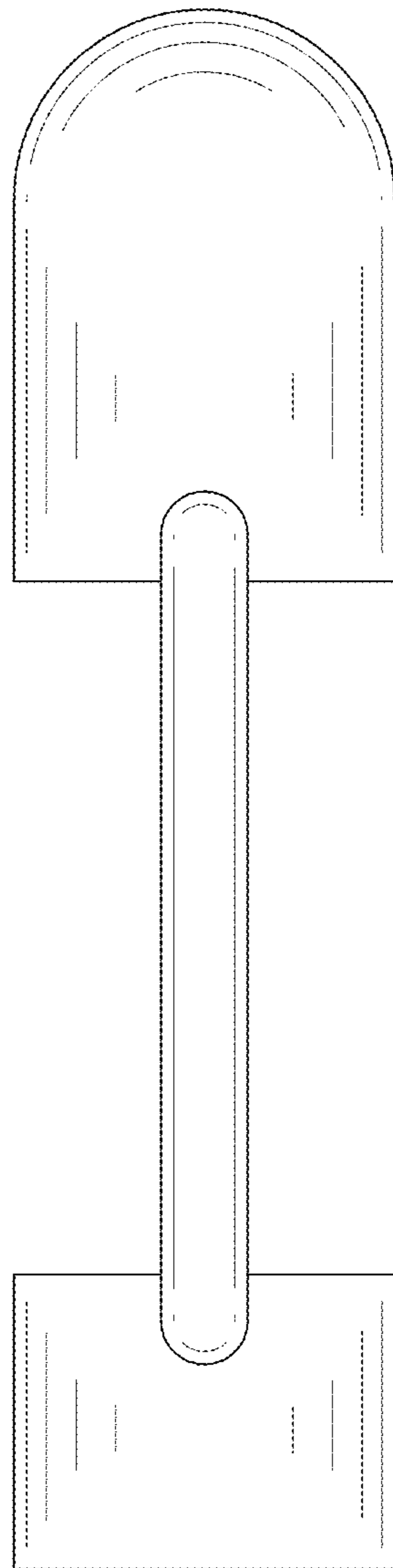


FIG. 4

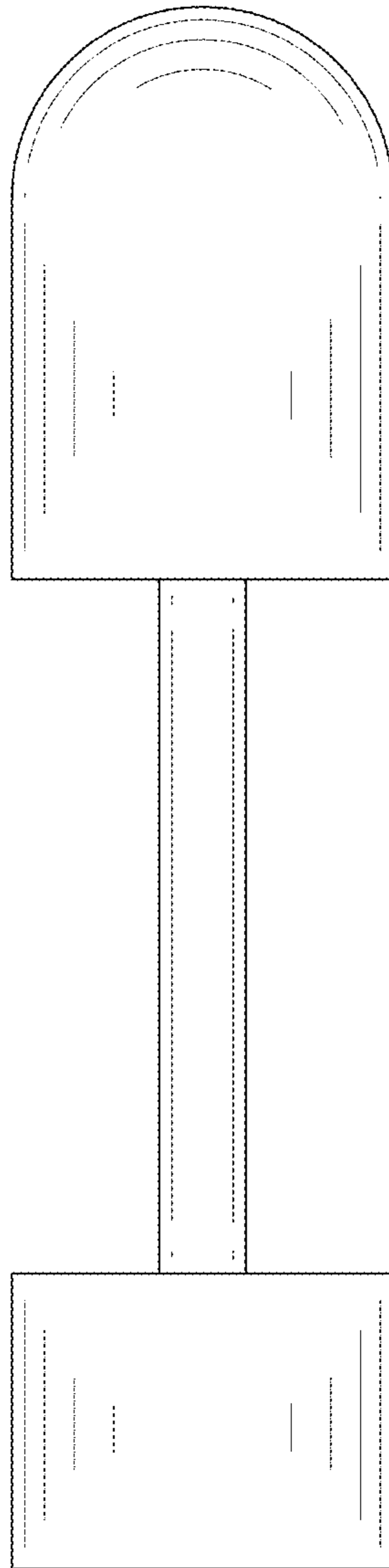


FIG.5

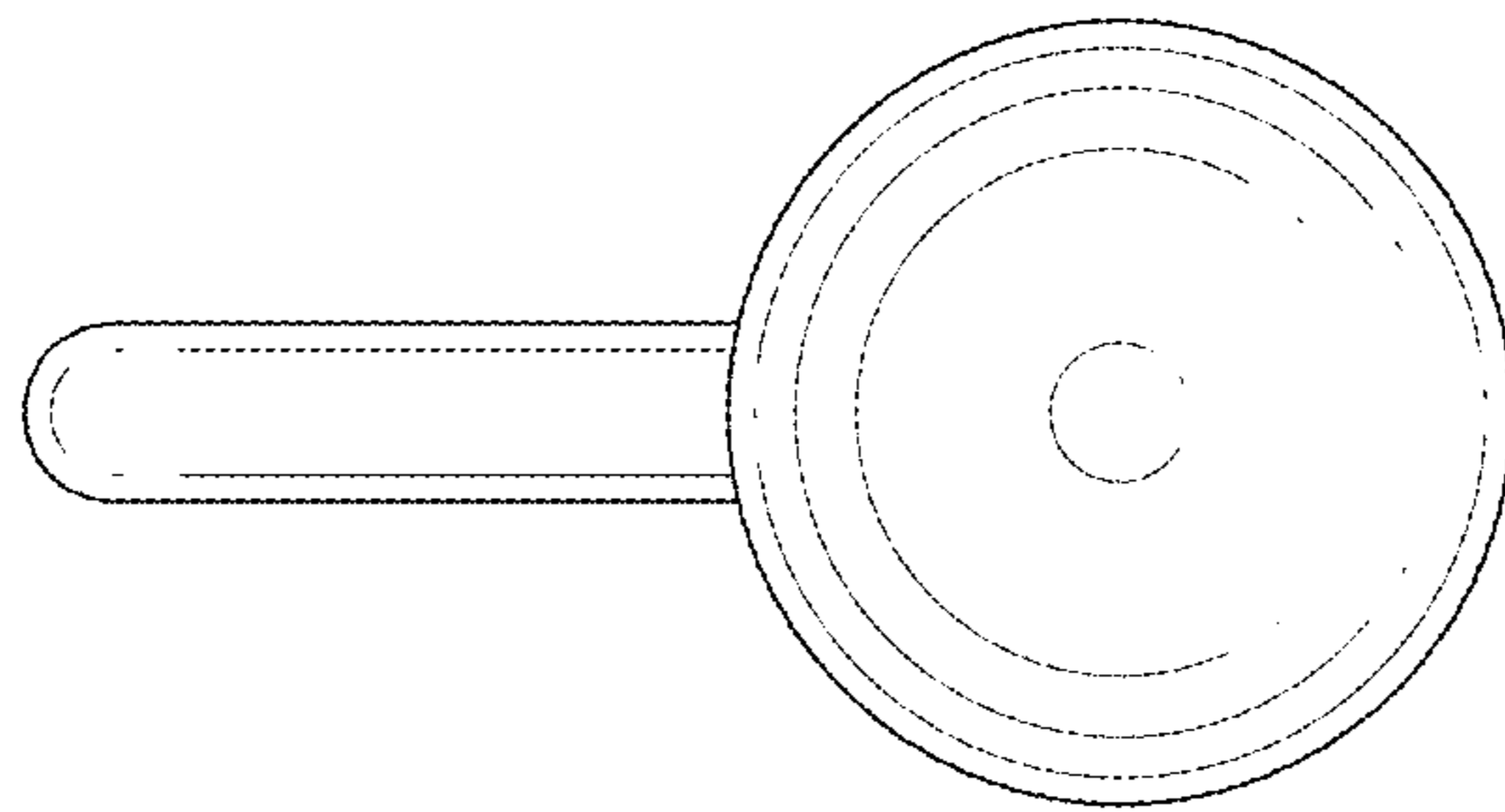


FIG. 6

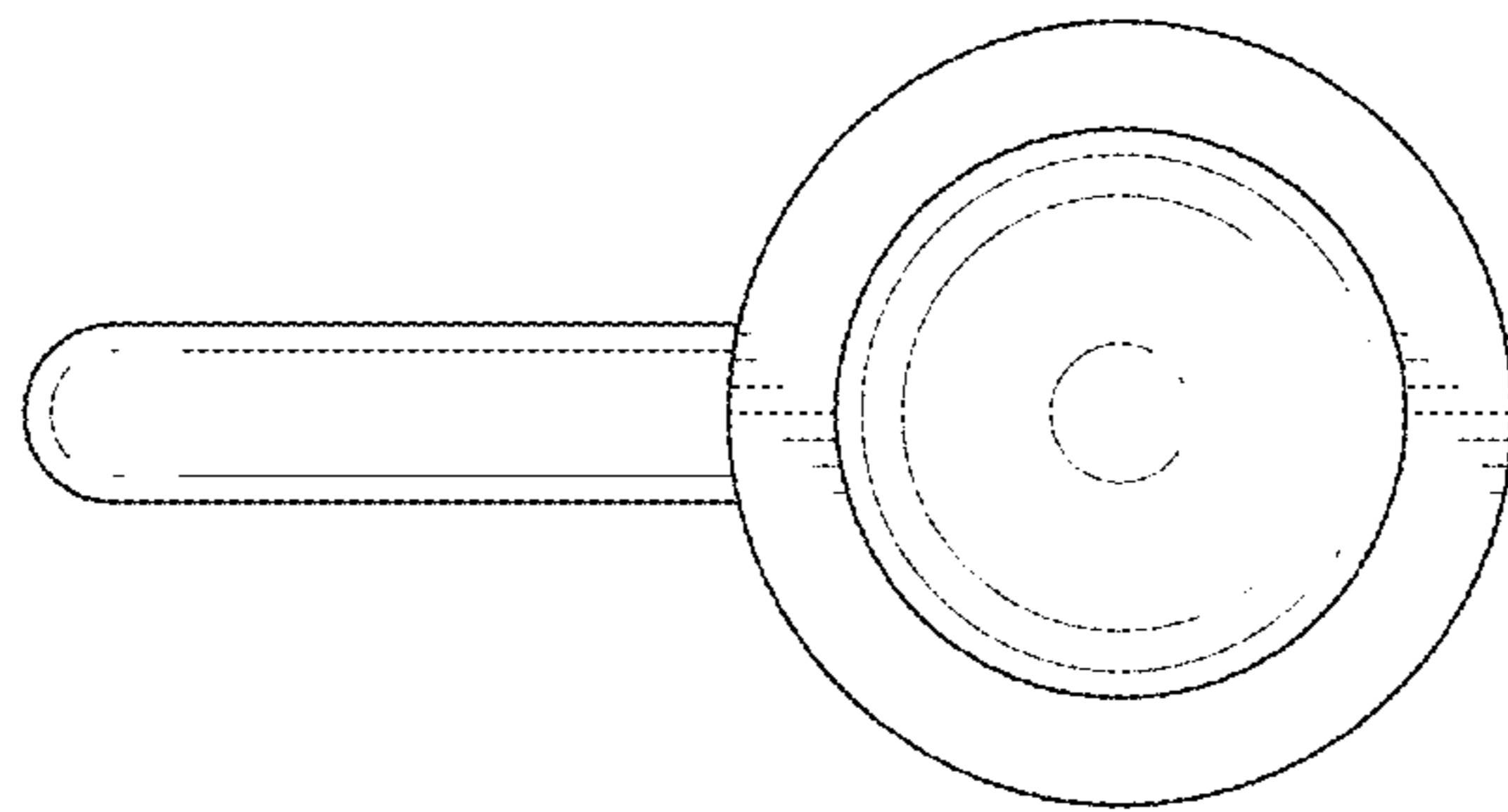


FIG. 7

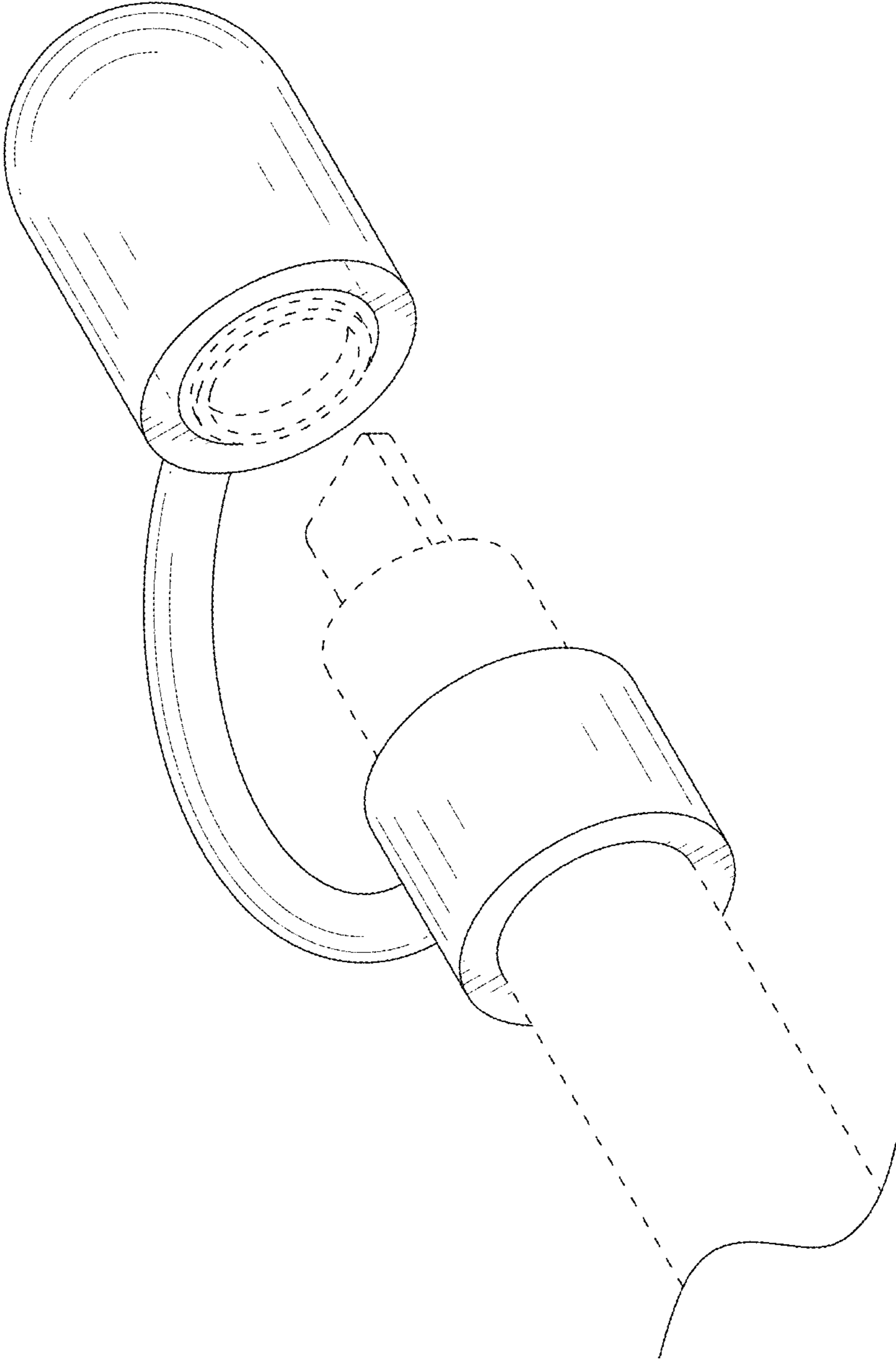


FIG.8

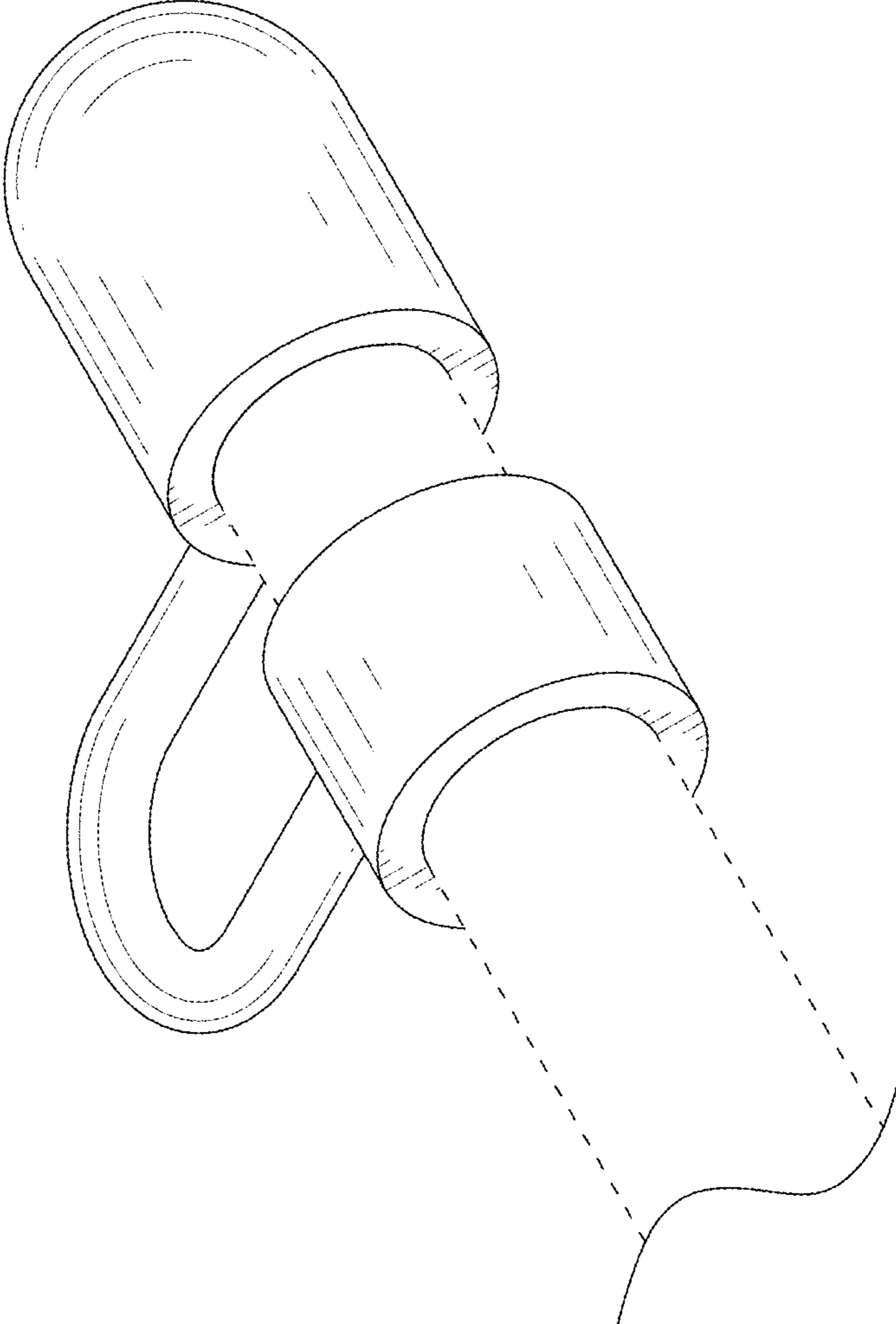


FIG.9