



US00D809059S

(12) **United States Design Patent**
Yamashita et al.

(10) **Patent No.:** **US D809,059 S**

(45) **Date of Patent:** **** Jan. 30, 2018**

(54) **PRINTER**

(71) Applicant: **SEIKO EPSON CORPORATION,**
Tokyo (JP)

(72) Inventors: **Yusuke Yamashita,** Matsumoto (JP);
Ichiro Yoshioka, Matsumoto (JP);
Makoto Sato, Matsumoto (JP)

(73) Assignee: **SEIKO EPSON CORPORATION,**
Tokyo (JP)

(**) Term: **15 Years**

(21) Appl. No.: **29/588,629**

(22) Filed: **Dec. 22, 2016**

(30) **Foreign Application Priority Data**

Jun. 30, 2016 (JP) 2016-013926

(51) **LOC (11) Cl.** **18-02**

(52) **U.S. Cl.**
USPC **D18/56**

(58) **Field of Classification Search**

USPC ... D18/34.1, 34.3–34.6, 34.9, 38–41, 44, 47,
D18/48, 49, 53, 54, 54.1, 55, 56, 59;
D14/302, 303, 332, 441, 447, 463, 468
CPC B41J 2/01; B41J 2/17553; B41J 2/1752;
B41J 3/00; B41J 3/4075; B41J 11/58;
B65B 3/027

See application file for complete search history.

(56) **References Cited**

U.S. PATENT DOCUMENTS

D373,380 S * 9/1996 Dwyer 347/108
D403,697 S * 1/1999 Baba D18/49

D443,637 S * 6/2001 Kusanagi D18/53
D473,587 S * 4/2003 Agata D18/39
D494,618 S * 8/2004 Sasaki 347/86
D532,450 S * 11/2006 Smith D18/55
D587,306 S * 2/2009 Isogai D18/55
D650,423 S * 12/2011 Aznoe 347/88
D664,193 S * 7/2012 Larson D18/55
D670,328 S * 11/2012 Suzuki D18/55
D673,603 S * 1/2013 Suzuki D18/55

* cited by examiner

Primary Examiner — Garth Rademaker

Assistant Examiner — Richard Kearney

(57) **CLAIM**

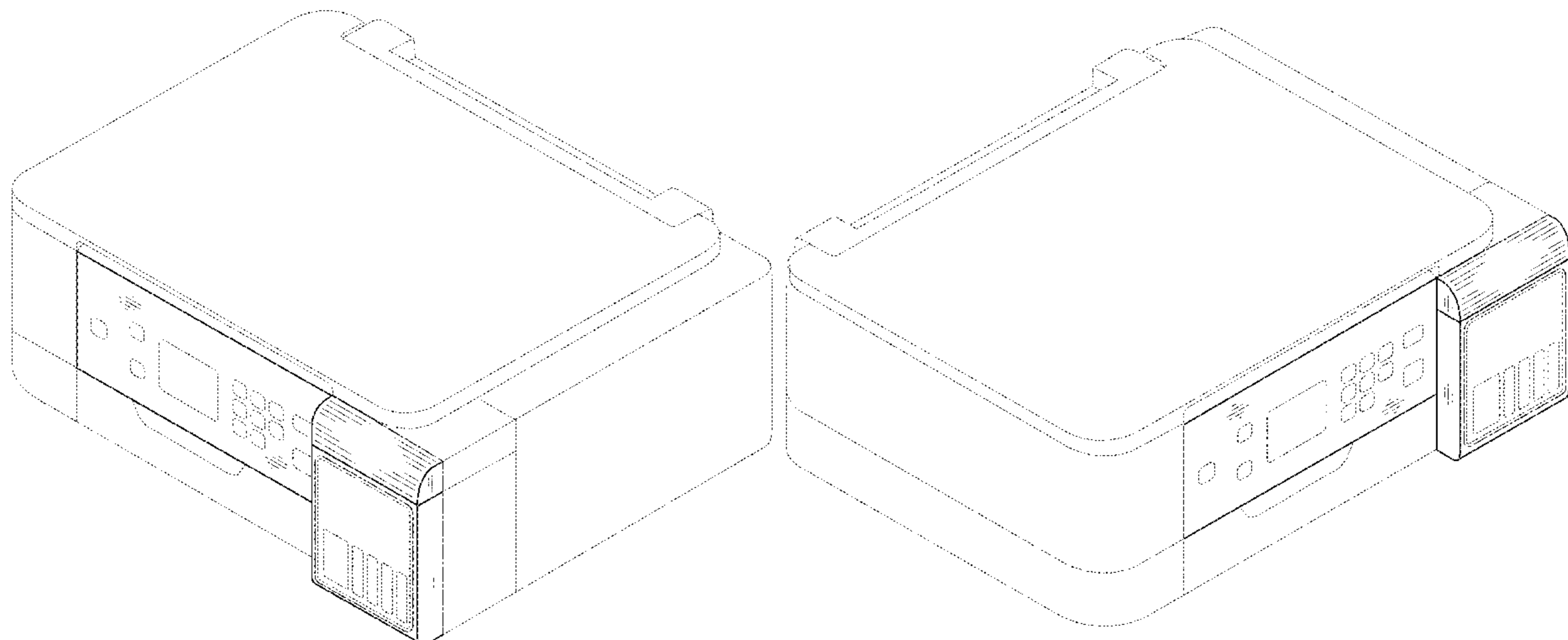
The ornamental design for a printer, as shown and described.

DESCRIPTION

FIG. 1 is a front, top and right side perspective view of a printer showing our new design; FIG. 2 is a front, top and left side perspective view thereof; FIG. 3 is a front view thereof; FIG. 4 is a rear view thereof; FIG. 5 is a top plan view thereof; FIG. 6 is a bottom plan view thereof; FIG. 7 is a right side view thereof; and, FIG. 8 is a left side view thereof.

The uniformly dashed lines illustrate portions of the printer and form no part of the claimed design. The dash-dotted lines denote the boundary of the claim and form no part of the claimed design.

1 Claim, 8 Drawing Sheets



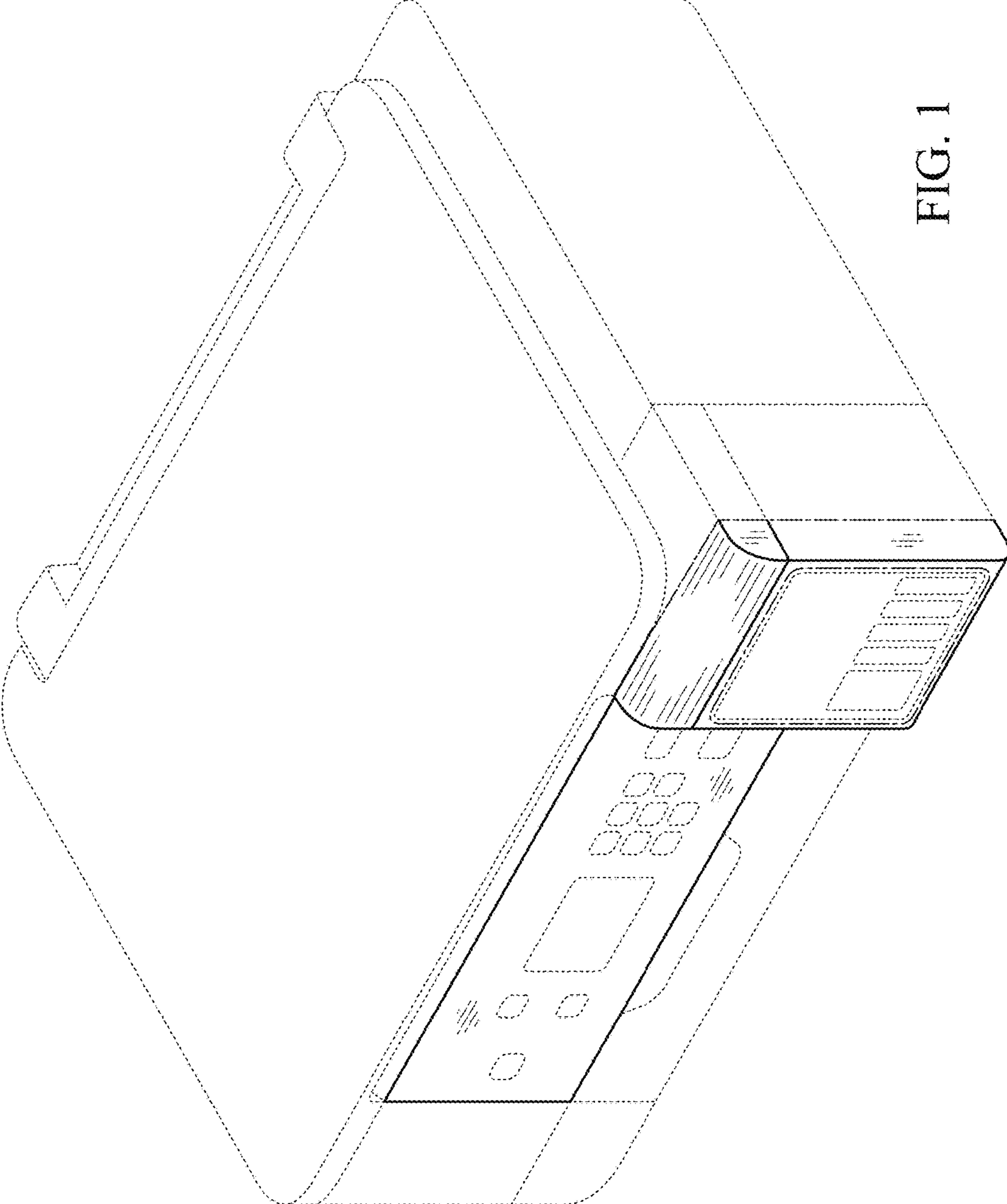


FIG. 1

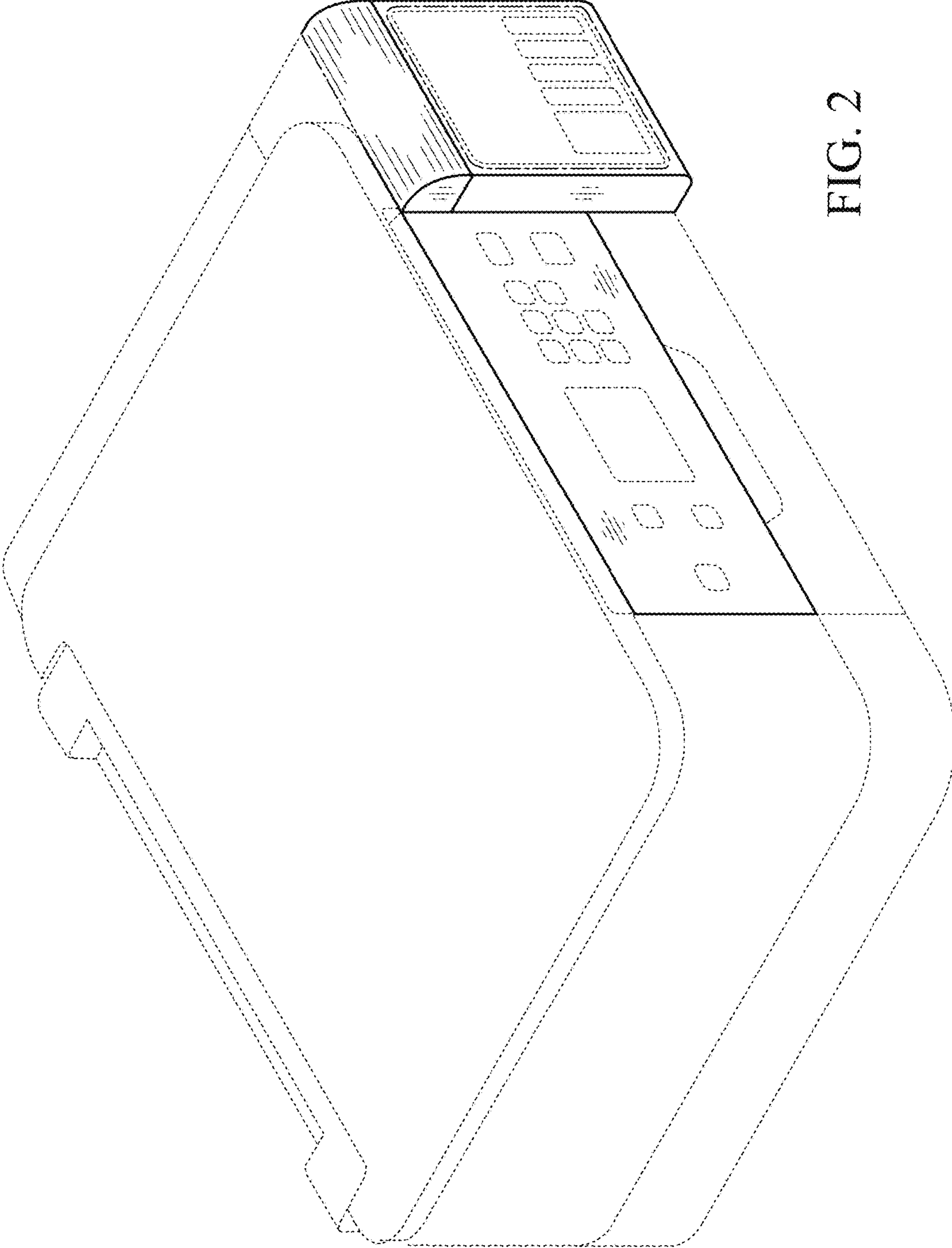


FIG. 2

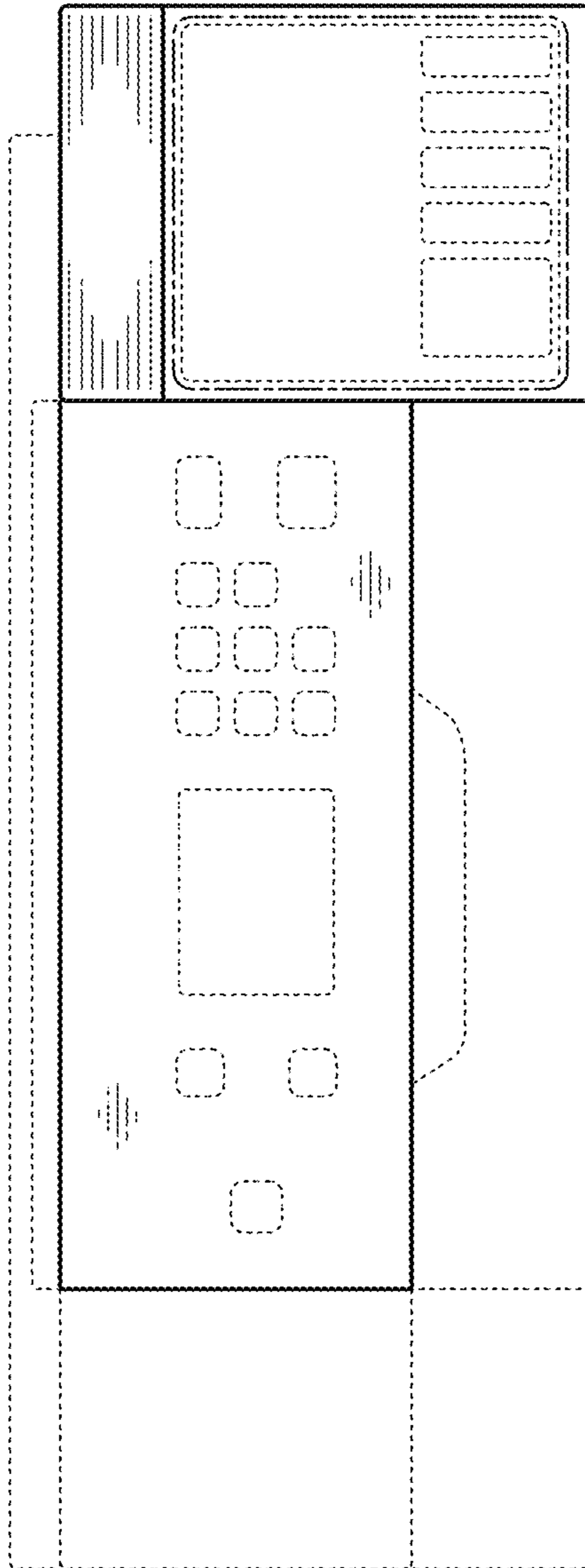


FIG. 3

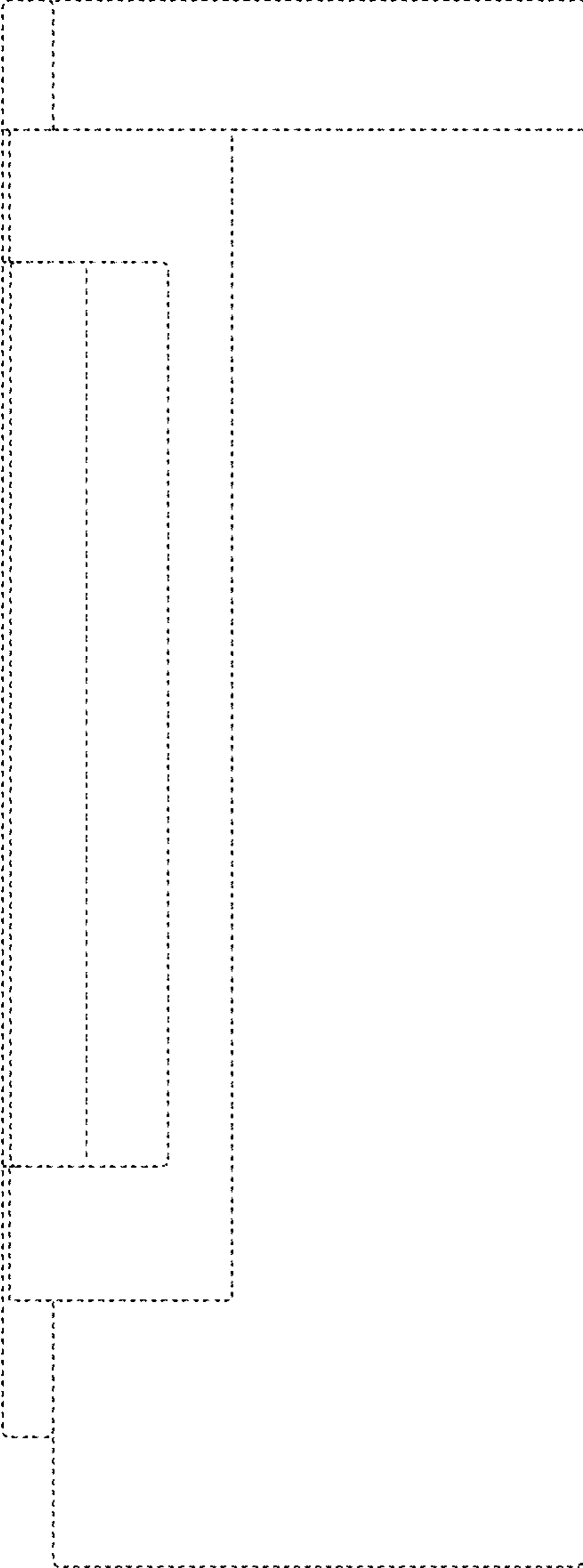


FIG. 4

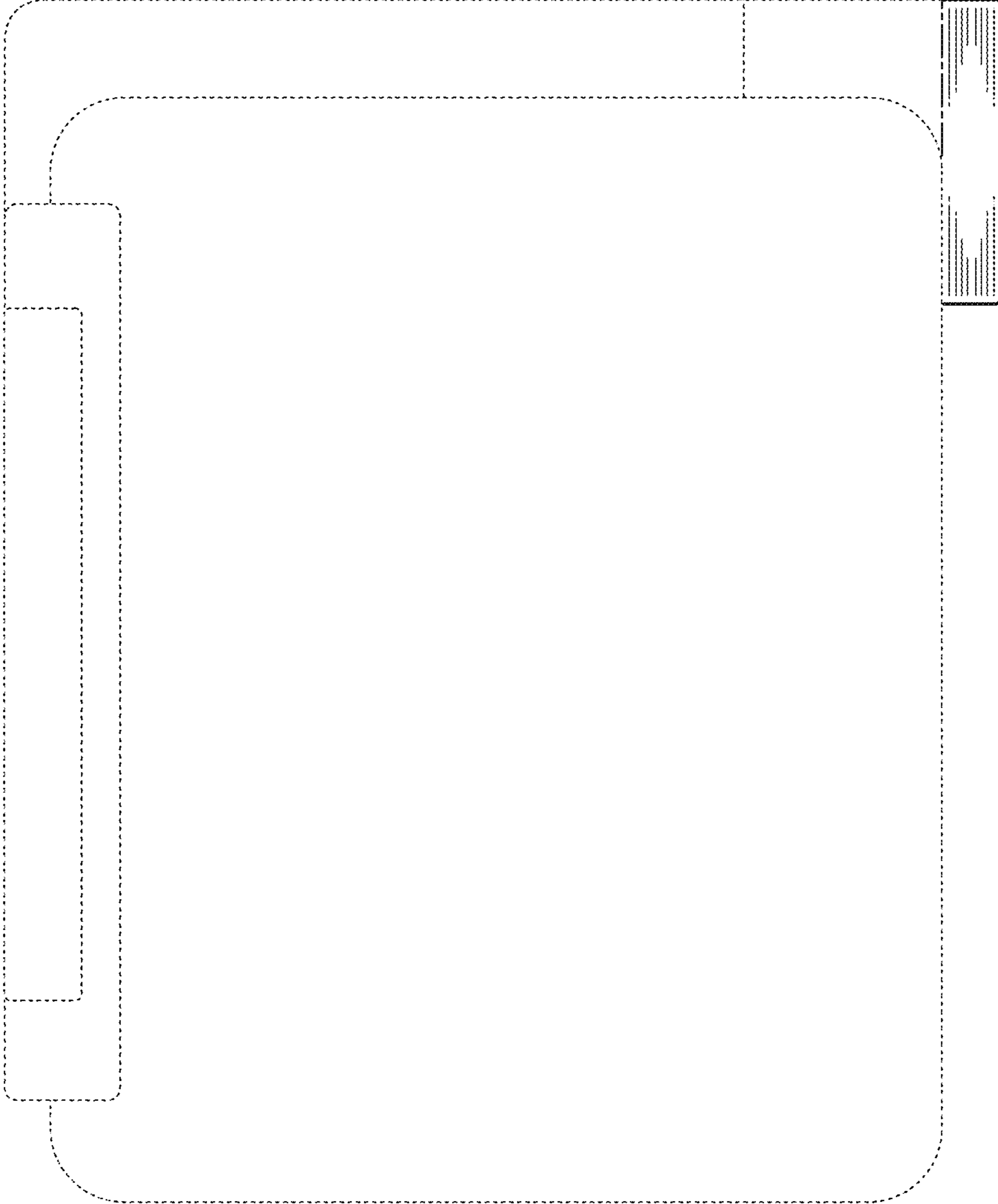


FIG. 5

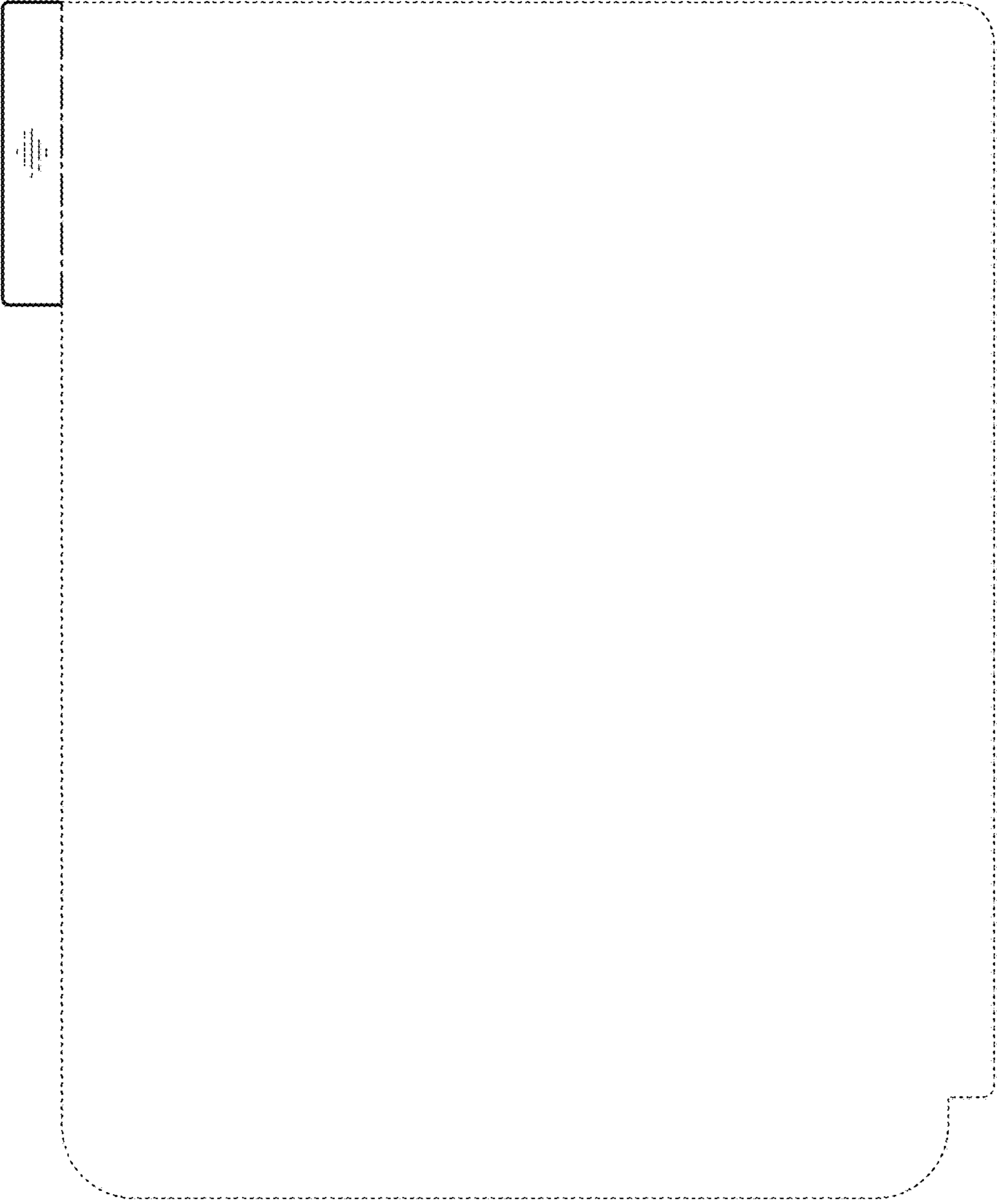


FIG. 6

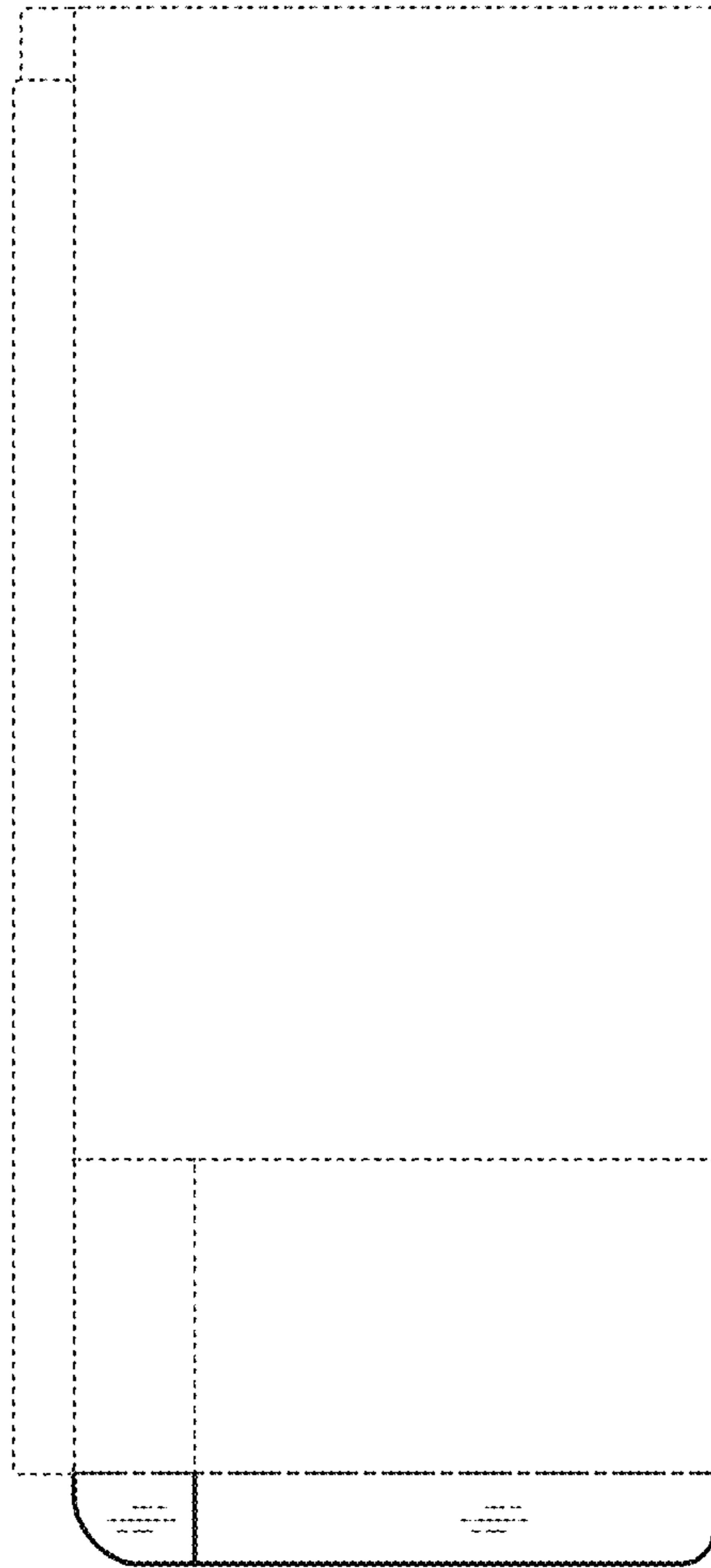


FIG. 7

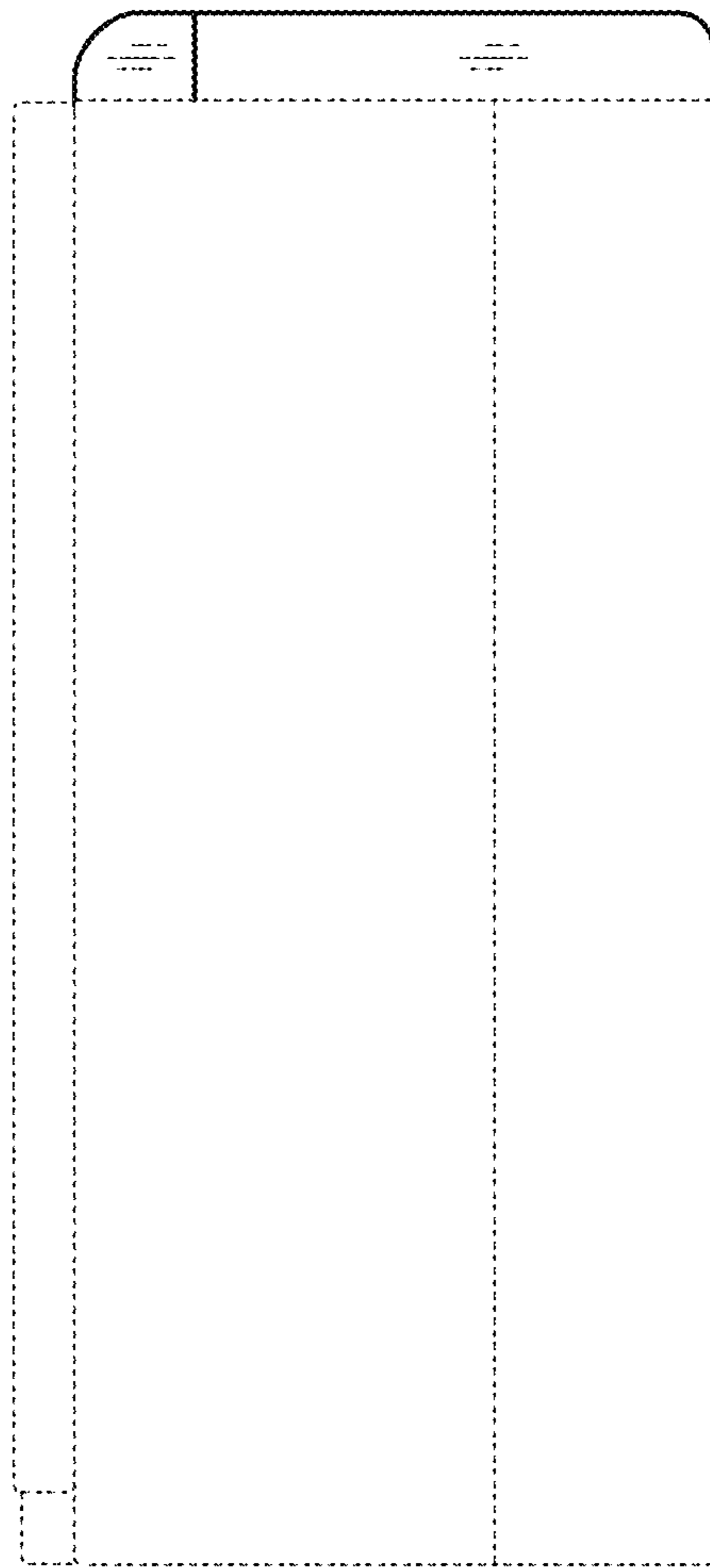


FIG. 8