



US00D809055S

(12) **United States Design Patent** (10) **Patent No.:** **US D809,055 S**
Tracy et al. (45) **Date of Patent:** **** Jan. 30, 2018**

(54) **SWIMMING GOGGLES WITH RETROSCOPIC LENS**

(71) Applicant: **Roka Sports, Inc.**, Dallas, TX (US)

(72) Inventors: **Nathan Tracy**, Oceanside, CA (US);
Mark Stephens, Dallas, TX (US);
Robert Canales, Dallas, TX (US);
Kurt Spenser, Burbank, CA (US)

(73) Assignee: **ROKA SPORTS, INC.**, Dallas, TX (US)

(**) Term: **15 Years**

(21) Appl. No.: **29/537,862**

(22) Filed: **Aug. 28, 2015**

(51) **LOC (11) Cl.** **16-06**

(52) **U.S. Cl.**
USPC **D16/311**

(58) **Field of Classification Search**
USPC D16/101, 300-342, 900; D29/109-110;
D14/372; 351/41, 44, 45-48, 51-52, 62,
351/158, 92, 103-123, 140-153, 63, 59;
2/13, 15, 426-432, 447-449, 441,
2/434-437
CPC G02C 2200/08; G02C 1/06; G02C 5/14;
G02C 11/02; G02C 11/04; G02C 5/16;
G02C 2200/22; G02C 5/146; G02C
5/2254; G02C 5/008; G01C 5/16; A61M
2021/0044; A63B 33/002
See application file for complete search history.

(56) **References Cited**

U.S. PATENT DOCUMENTS

D243,482 S * 3/1977 Fireman D16/303
D256,961 S * 9/1980 Fireman D16/303
5,204,700 A 4/1993 Sansalone
5,655,228 A 8/1997 Chiang
D395,666 S 6/1998 Tomoyuki
5,774,201 A 6/1998 Tackles

(Continued)

FOREIGN PATENT DOCUMENTS

CN 1694747 A 11/2005
CN 2929762 Y 8/2007

(Continued)

OTHER PUBLICATIONS

ROKA Sports R1 Goggle Mirror announced unknown, [online], [site visited Feb. 16, 2017]. Available from Internet, <URL: https://www.swimoutlet.com/p/roka-sports-r1-goggle-mirror-8147164/?color=46142>.*

(Continued)

Primary Examiner — Eric L Goodman

Assistant Examiner — Sanjeev Paul

(74) *Attorney, Agent, or Firm* — Wilson Sonsini Goodrich & Rosati

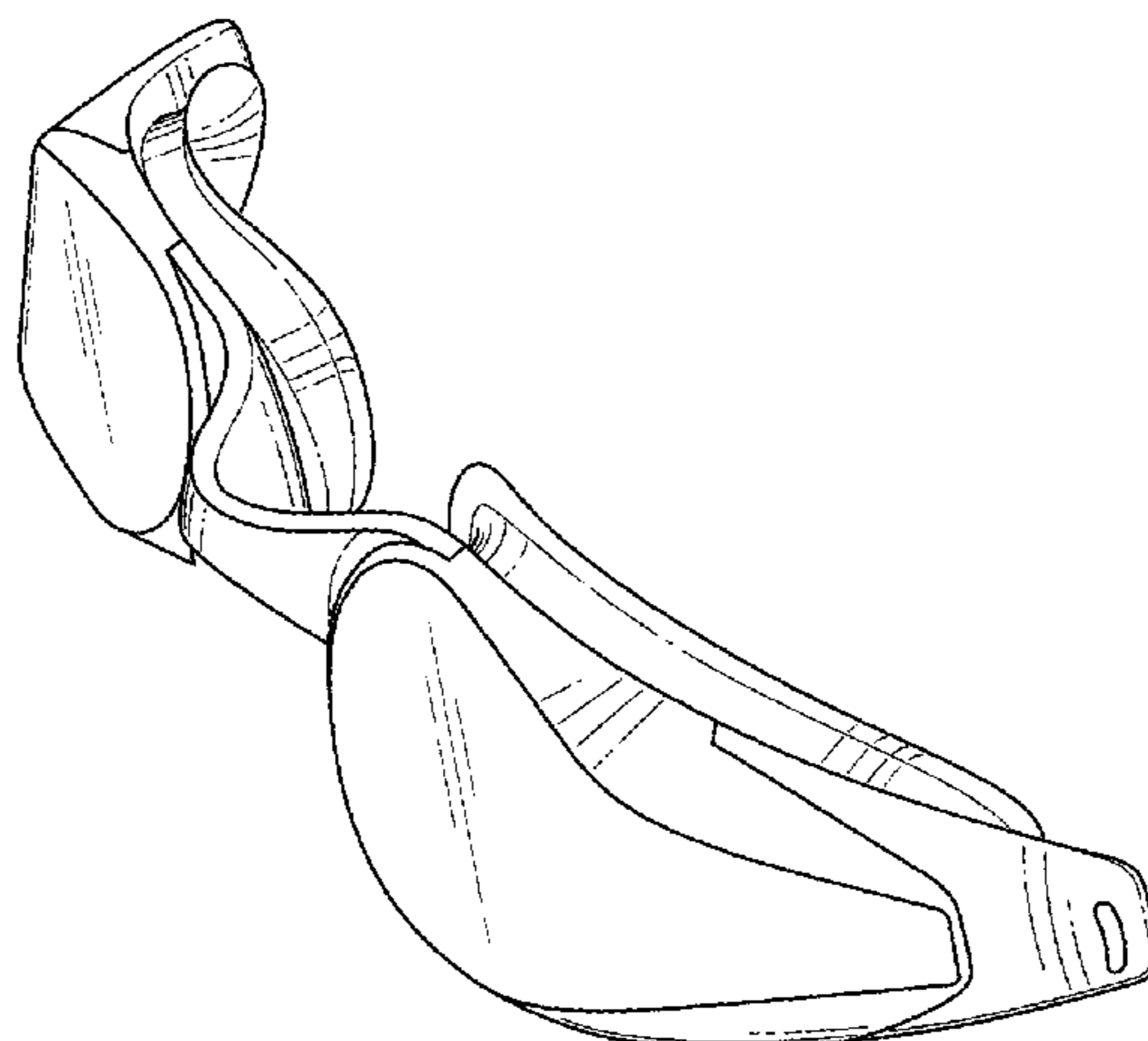
(57) **CLAIM**

The ornamental design for swimming goggles with retroscopic lens, as shown and described.

DESCRIPTION

FIG. 1 is a side view of the swimming goggles with retroscopic lens.
FIG. 2 is front view of the swimming goggles with retroscopic lens.
FIG. 3 is a top-front ISO view of the swimming goggles with retroscopic lens.
FIG. 4 is an alternative top ISO view of the swimming goggles with retroscopic lens.
FIG. 5 is an enlarged front perspective view of one eye piece of the swimming goggles with retroscopic lens taken from left of center.
FIG. 6 is a rear view of the swimming goggles with retroscopic lens; and,
FIG. 7 is a side view of the swimming goggles with retroscopic lens of FIG. 1, shown in use.

1 Claim, 4 Drawing Sheets



(56)

References Cited

U.S. PATENT DOCUMENTS

D415,780 S 10/1999 Minamidani
 6,006,367 A 12/1999 Webster
 6,023,791 A 2/2000 Chiang
 D435,057 S * 12/2000 Chen D16/303
 6,272,693 B1 8/2001 Godoy
 6,289,523 B1 * 9/2001 Chiang A63B 33/002
 2/428
 6,349,420 B1 2/2002 Chiang
 6,513,170 B1 2/2003 Chiang
 7,007,310 B2 3/2006 Chiang
 7,159,250 B2 1/2007 Chiang
 7,165,837 B2 1/2007 Yokota et al.
 D569,410 S * 5/2008 Chiang D16/303
 D601,611 S * 10/2009 Chiang D16/303
 D620,516 S 7/2010 Hadehara
 7,941,874 B2 5/2011 Chou
 D649,176 S * 11/2011 Booker D16/303
 D665,443 S * 8/2012 Kitamura D16/303
 D696,337 S * 12/2013 Chiang D16/303
 D717,861 S * 11/2014 Chiang D16/303
 D717,863 S * 11/2014 Chiang D16/303
 8,955,170 B2 2/2015 Chiang
 2002/0178491 A1 * 12/2002 Yamamoto A63B 33/002
 2/428
 2005/0193479 A1 9/2005 Atta et al.
 2006/0010587 A1 * 1/2006 Yokota A63B 33/002
 2/429
 2008/0072366 A1 * 3/2008 Fukasawa A63B 33/002
 2/445
 2008/0134417 A1 * 6/2008 Aoyama A61F 9/027
 2/431
 2009/0046245 A1 2/2009 Politzer
 2009/0229086 A1 * 9/2009 Chiang A63B 33/002
 24/170
 2010/0077538 A1 * 4/2010 Chiang A63B 33/002
 2/428
 2010/0083426 A1 * 4/2010 Chiang A63B 33/002
 2/428
 2010/0257660 A1 10/2010 Chou
 2011/0088150 A1 * 4/2011 Tominaga A63B 33/002
 2/440

2012/0222202 A1 * 9/2012 Chiang A63B 33/002
 2/452
 2013/0269088 A1 * 10/2013 Chiang A63B 33/002
 2/431
 2014/0041106 A1 2/2014 Shau
 2014/0115760 A1 * 5/2014 Waller A63B 33/002
 2/431
 2014/0189944 A1 * 7/2014 Lynd A61F 9/027
 2/452
 2014/0283288 A1 * 9/2014 Chiang A63B 33/002
 2/431
 2014/0331395 A1 * 11/2014 Chiang A63B 33/002
 2/442
 2014/0359923 A1 * 12/2014 Chiang A63B 33/002
 2/442

FOREIGN PATENT DOCUMENTS

CN 201375783 Y 1/2010
 DE 202007014933 U1 12/2007
 DE 102012107859 A1 2/2014
 WO WO-2017035435 A1 3/2017

OTHER PUBLICATIONS

Cobra Ultra. Arena Water Instinct Official Website http://www.arenawaterinstinct.com/en_global/cobra-ultra.htm [accessed Aug. 2015].
 Co-pending U.S. Appl. No. 14/838,857, filed Aug. 28, 2015.
 Swedix Mirror Goggle. Arena water Instinct Official Website http://www.arenawaterinstinct.com/en_global/swedix-mirror-goggle-smoke-silver-black.htm [accessed Aug. 2015].
 X-Vision Mirror Goggle. Arena Water Instinct Official Website http://www.arenawaterinstinct.com/en_global/x-vision-mirror-goggle-smoke-blue-black-sil.htm [accessed Aug. 2015].
 Co-pending U.S. Appl. No. 15/149,327, filed May 9, 2016.
 PCT/US2016/048885 International Search Report and Written Opinion dated Feb. 2, 2017.
 U.S. Appl. No. 14/838,857 Office Action dated Feb. 3, 2016.
 U.S. Appl. No. 15/149,327 Office Action dated Oct. 5, 2016.

* cited by examiner

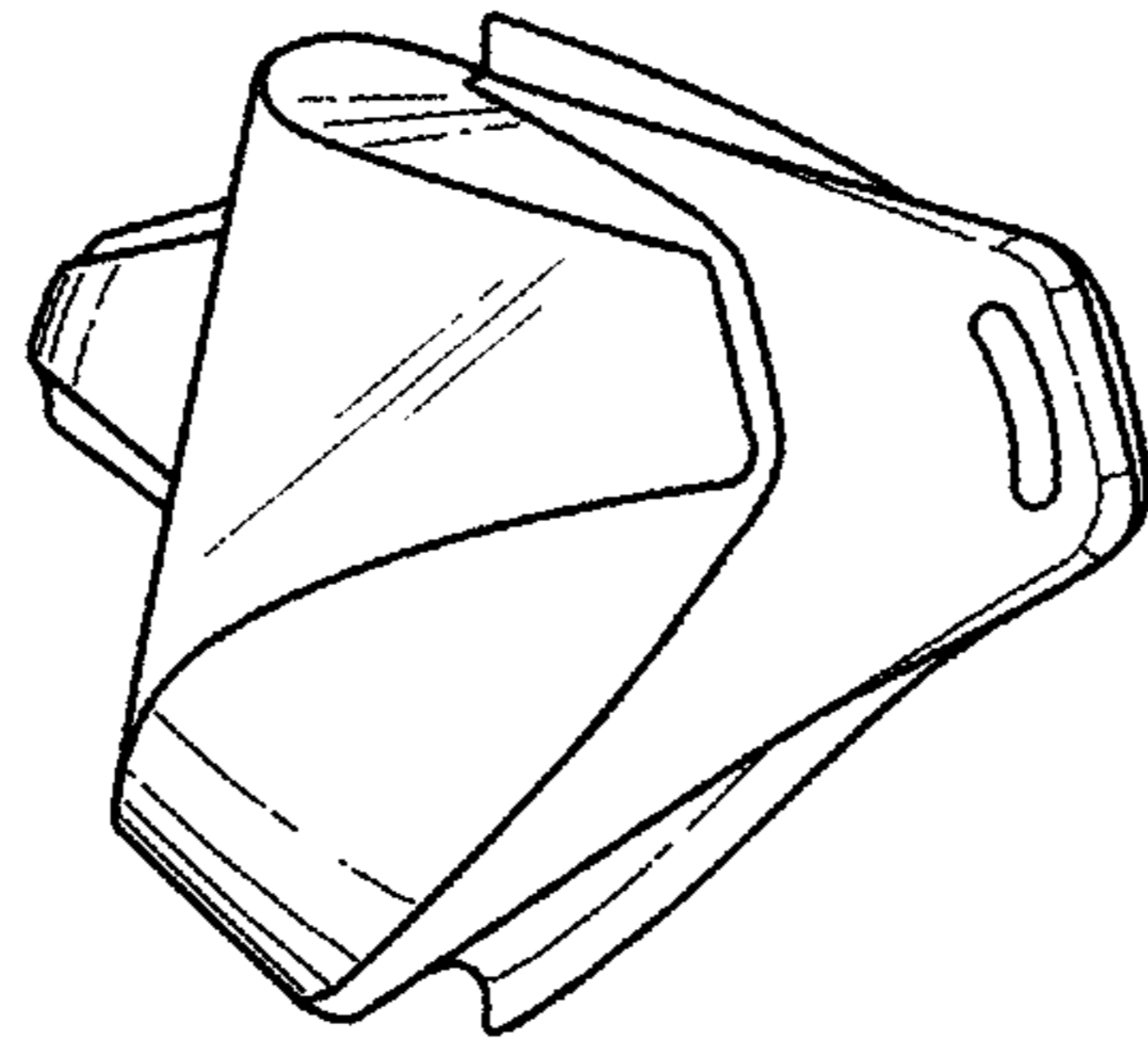


FIG. 1

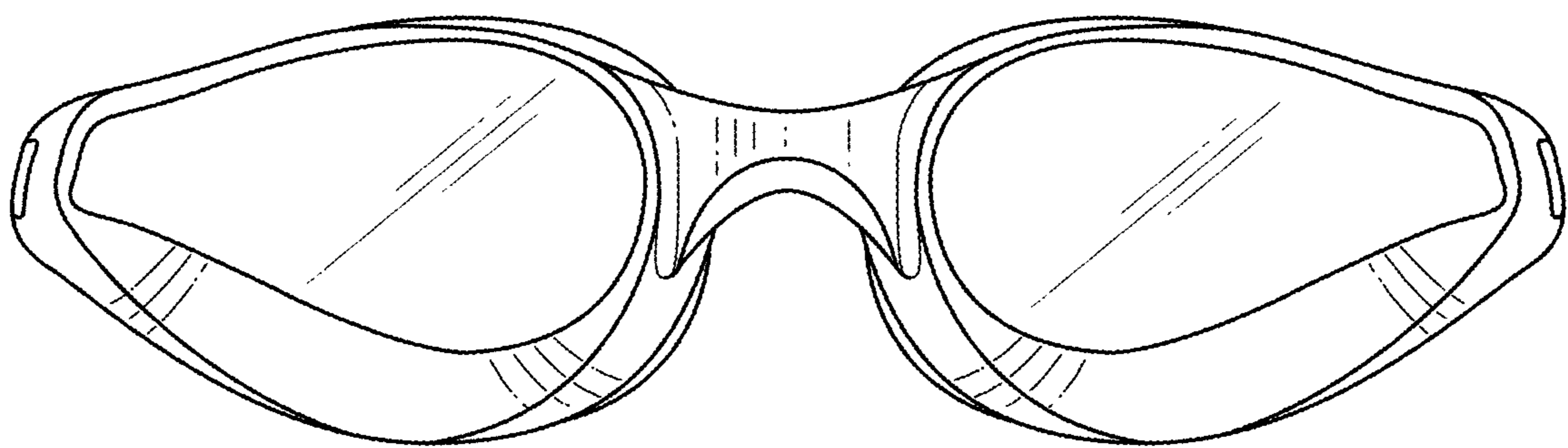


FIG. 2

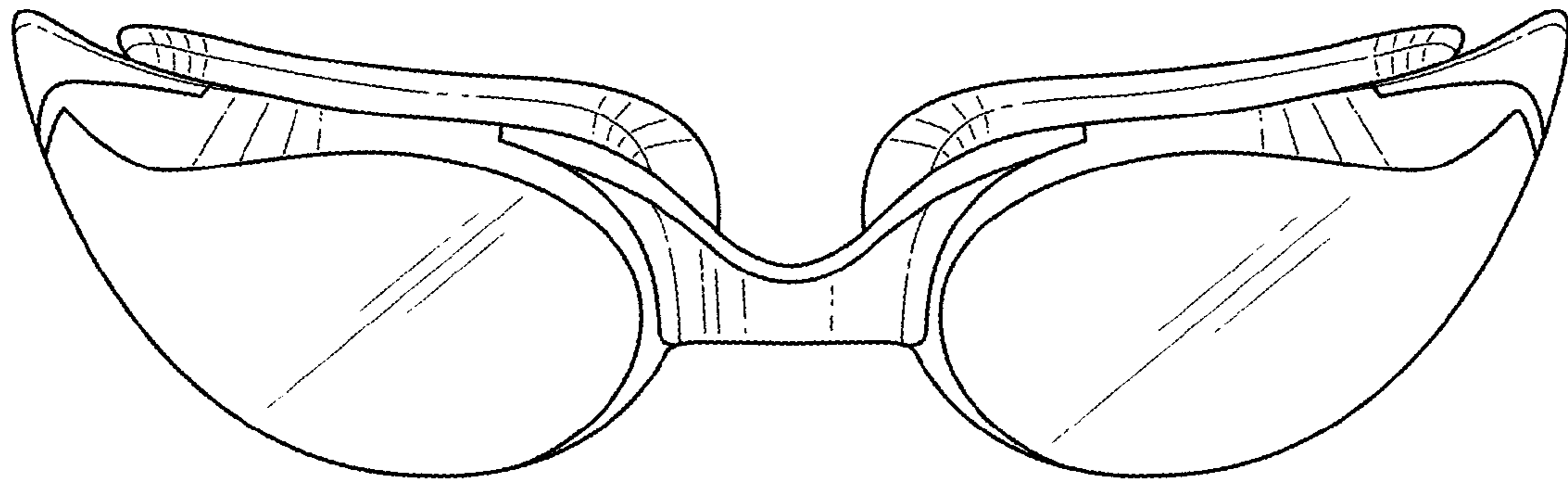


FIG. 3

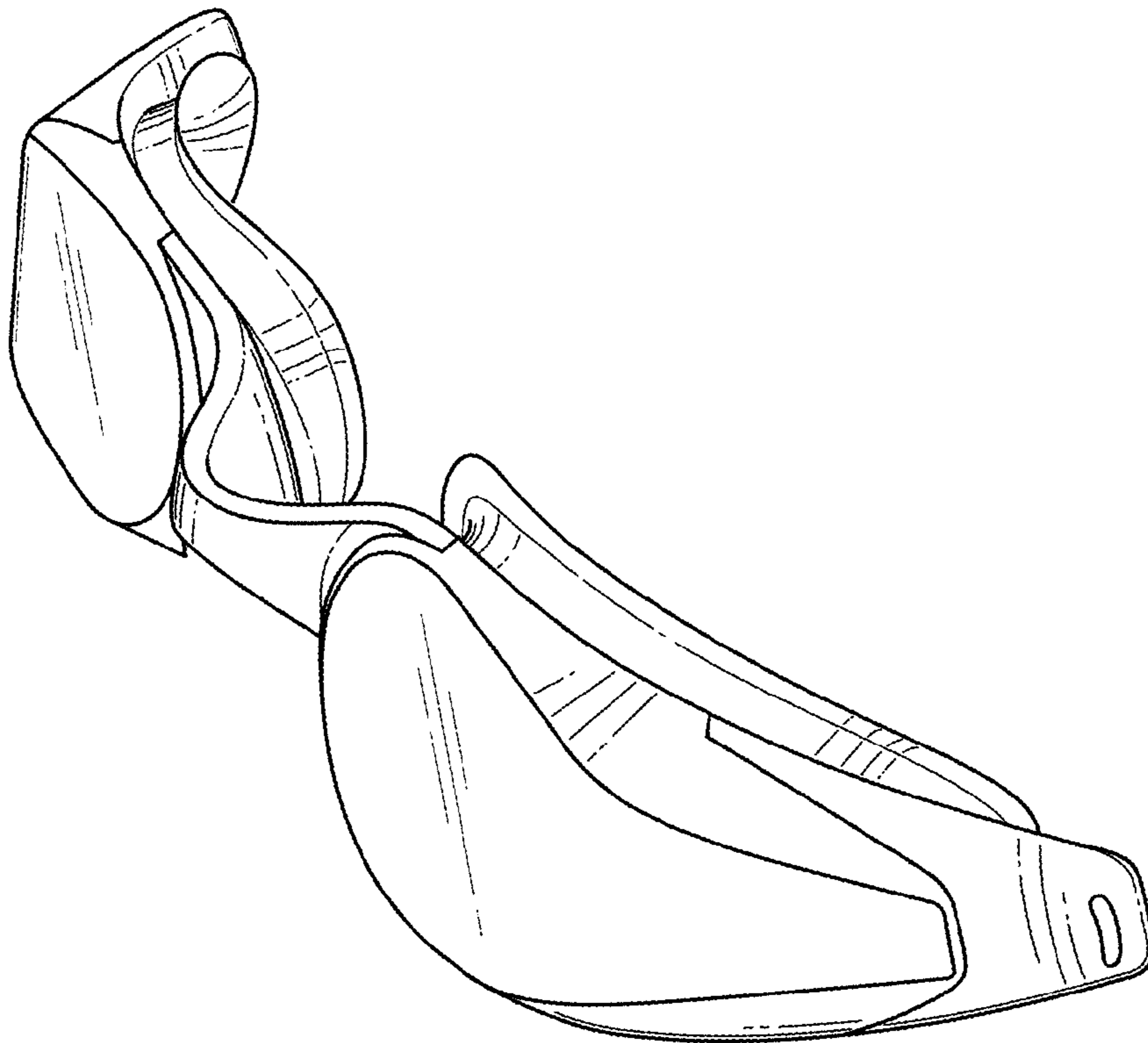


FIG. 4

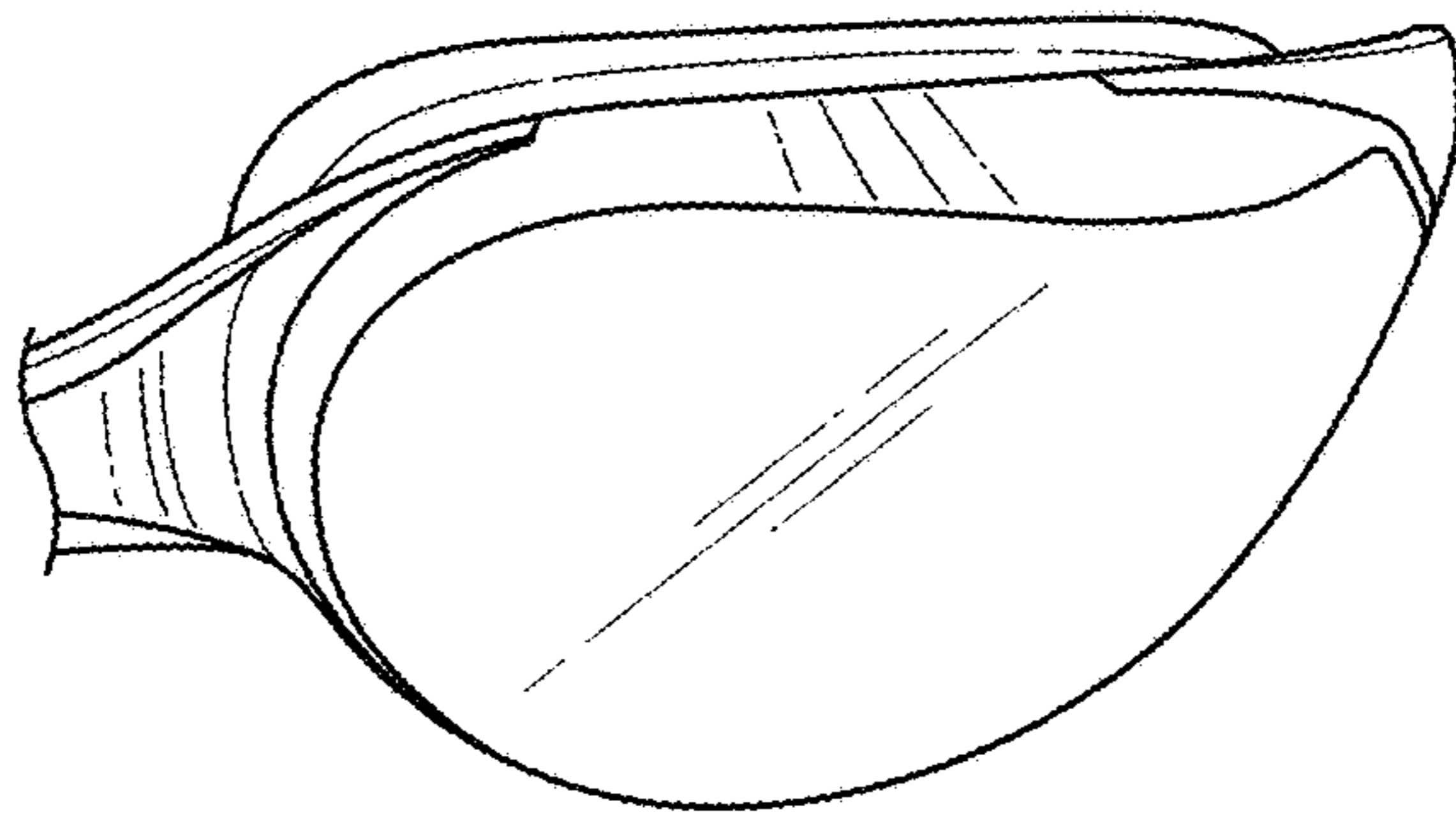


FIG. 5

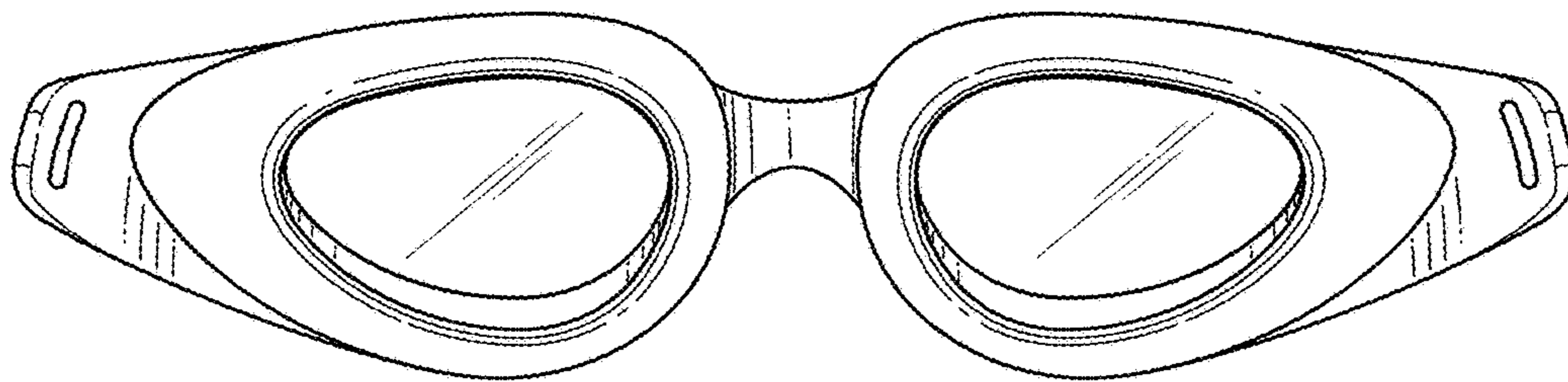


FIG. 6

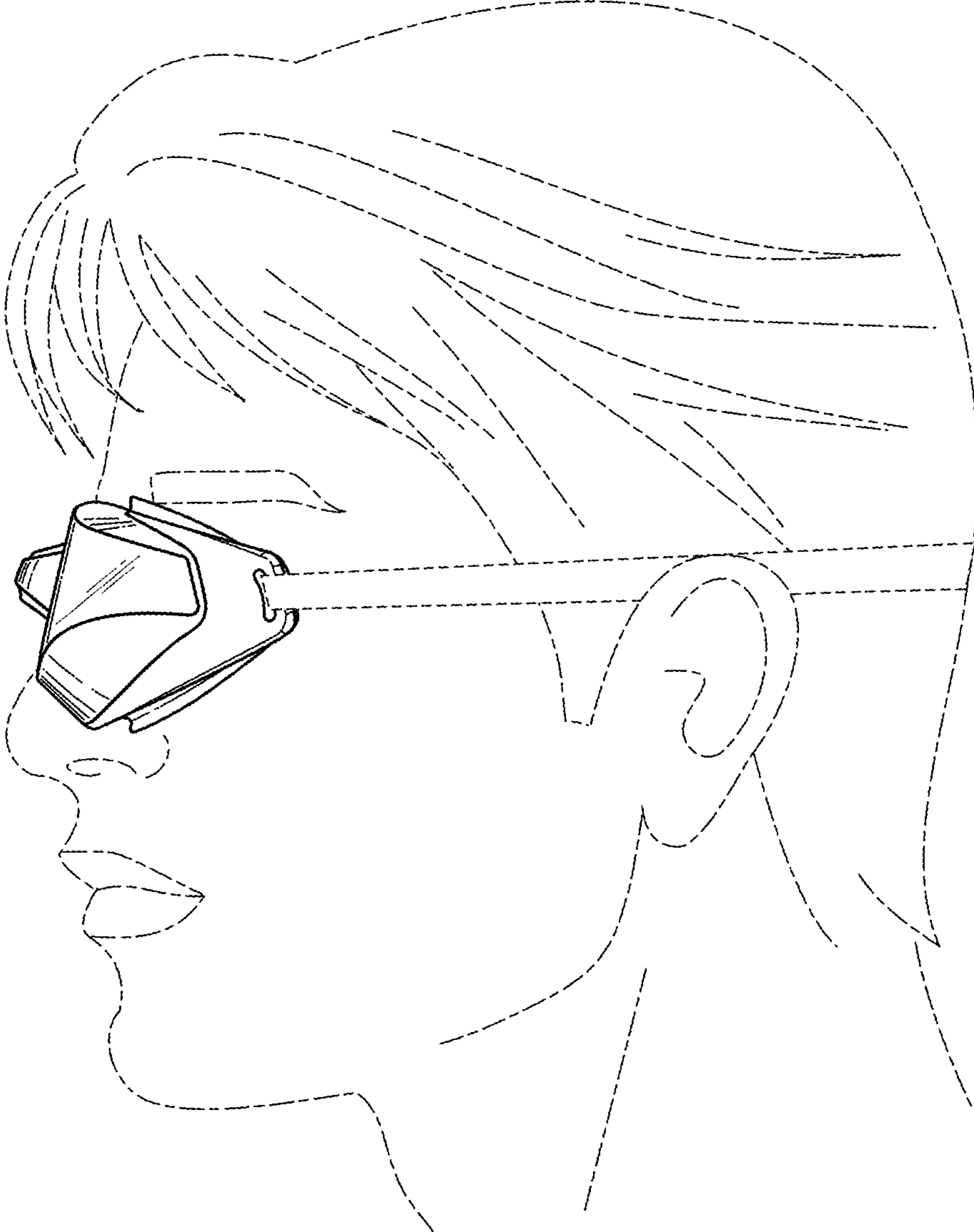


FIG. 7