



US00D809054S

(12) **United States Design Patent**
Stern et al.

(10) **Patent No.:** **US D809,054 S**
(45) **Date of Patent:** **** Jan. 30, 2018**

- (54) **CAMERA MOUNT**
- (71) Applicant: **Tactacam, LLC**, Caledonia, MN (US)
- (72) Inventors: **Benjamin Brian Stern**, Holmen, WI (US); **Randy Hoff**, Arcadia, WI (US)
- (73) Assignee: **Tactacam, LLC**, Caledonia, MN (US)
- (**) Term: **15 Years**
- (21) Appl. No.: **29/567,367**
- (22) Filed: **Jun. 8, 2016**

Related U.S. Application Data

- (63) Continuation-in-part of application No. 14/216,360, filed on Mar. 17, 2014, now abandoned.
- (51) **LOC (11) Cl.** **16-05**
- (52) **U.S. Cl.**
USPC **D16/242**
- (58) **Field of Classification Search**
USPC D16/208, 213–219, 235, 237–250;
D14/217, 229, 250–253; D8/363, 373,
D8/394
CPC G03B 17/02–17/04; G03B 17/14; G03B
17/56; G03B 17/561–17/568; G03B
21/20; G02B 7/00–7/002; F16M 11/02;
F16M 11/04; F16M 11/20; F16M 11/40
See application file for complete search history.

(56) **References Cited**

U.S. PATENT DOCUMENTS

- D590,867 S * 4/2009 Schenone D16/206
- D679,708 S * 4/2013 Li D14/411
- D683,614 S * 6/2013 Toimil D8/356
- 8,833,356 B2 * 9/2014 Khoshnood F41B 5/1426
124/86
- D730,429 S * 5/2015 Anari D16/237
- D779,579 S * 2/2017 Anari, III D16/242
- 2011/0168151 A1 * 7/2011 Kingsbury F41G 11/003
124/89

- 2011/0259313 A1 * 10/2011 Reinhold F41B 5/1426
124/89
- 2012/0125308 A1 * 5/2012 Khoshnood F41B 5/1426
124/89
- 2012/0125309 A1 * 5/2012 Khoshnood F41B 5/1426
124/89

(Continued)

FOREIGN PATENT DOCUMENTS

- KR 3020090029902 * 7/2009

OTHER PUBLICATIONS

Tactacam “Share Your Hunt.” [online] published date Aug. 13, 2015. Retrieved on May 16, 2017 from <URL: <http://isioutdoors.com/?feed=rss2&cat=54>>.*

Primary Examiner — Vy N Koenig

Assistant Examiner — Omeed Agilee

(74) *Attorney, Agent, or Firm* — McAndrews, Held & Malloy, Ltd.

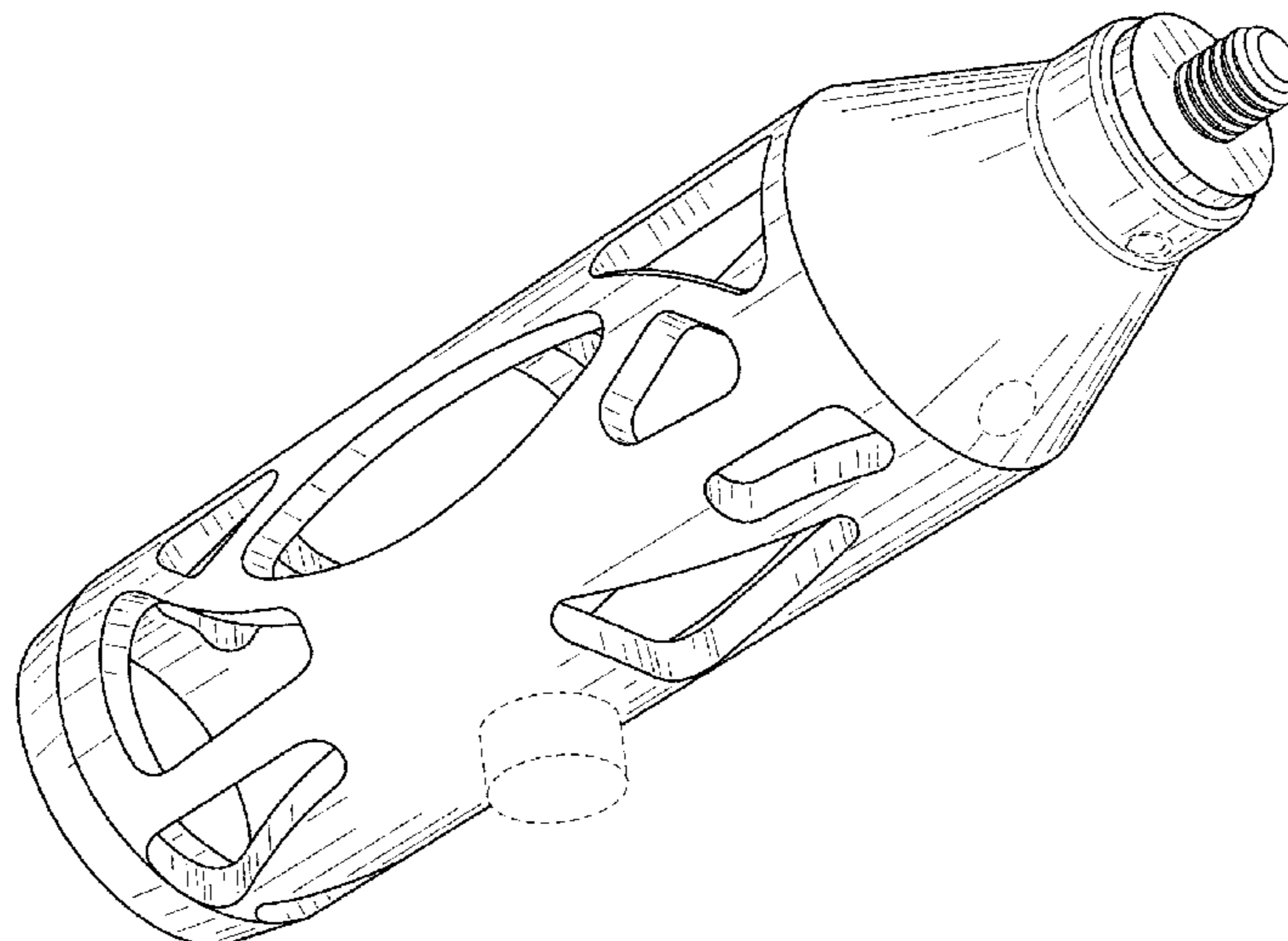
(57) **CLAIM**

The ornamental design for a camera mount, as shown and described.

DESCRIPTION

FIG. 1 is a front, top, and left perspective view of a camera mount showing our new design; FIG. 2 is a front elevation view thereof; FIG. 3 is a rear elevation view thereof; FIG. 4 is a right-side elevation view thereof; FIG. 5 is a left-side elevation view thereof; FIG. 6 is a top plan view thereof; FIG. 7 is a bottom plan view thereof; and, FIG. 8 is a rear, bottom, and right perspective view thereof. The broken lines in the figures illustrate portions of the camera mount that form no part of the claimed design.

1 Claim, 5 Drawing Sheets



(56)

References Cited

U.S. PATENT DOCUMENTS

2014/0216433 A1* 8/2014 Kingsbury F41B 5/1426
124/89
2014/0267721 A1* 9/2014 Stern F41B 5/1492
348/143

* cited by examiner

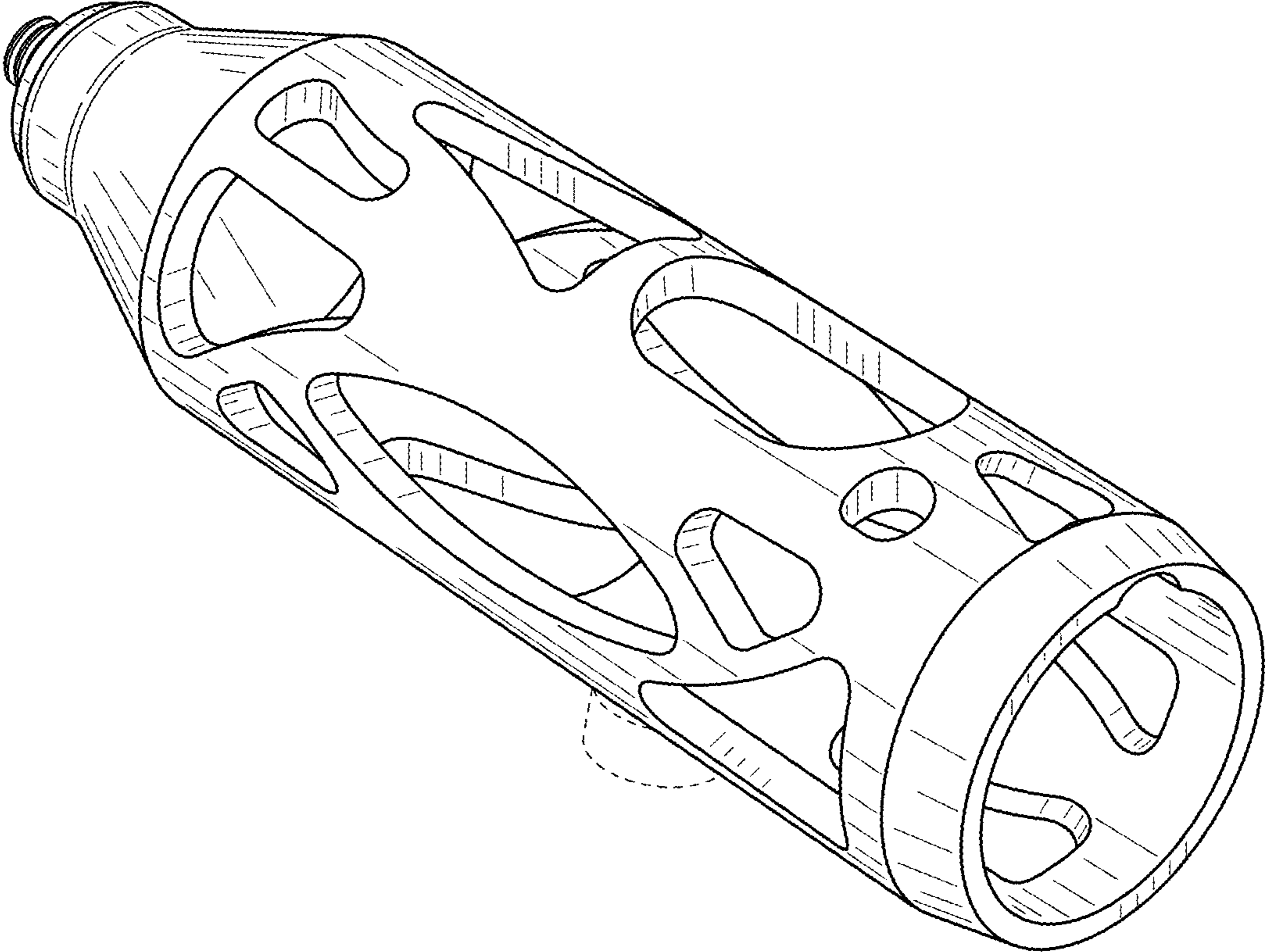


FIG. 1

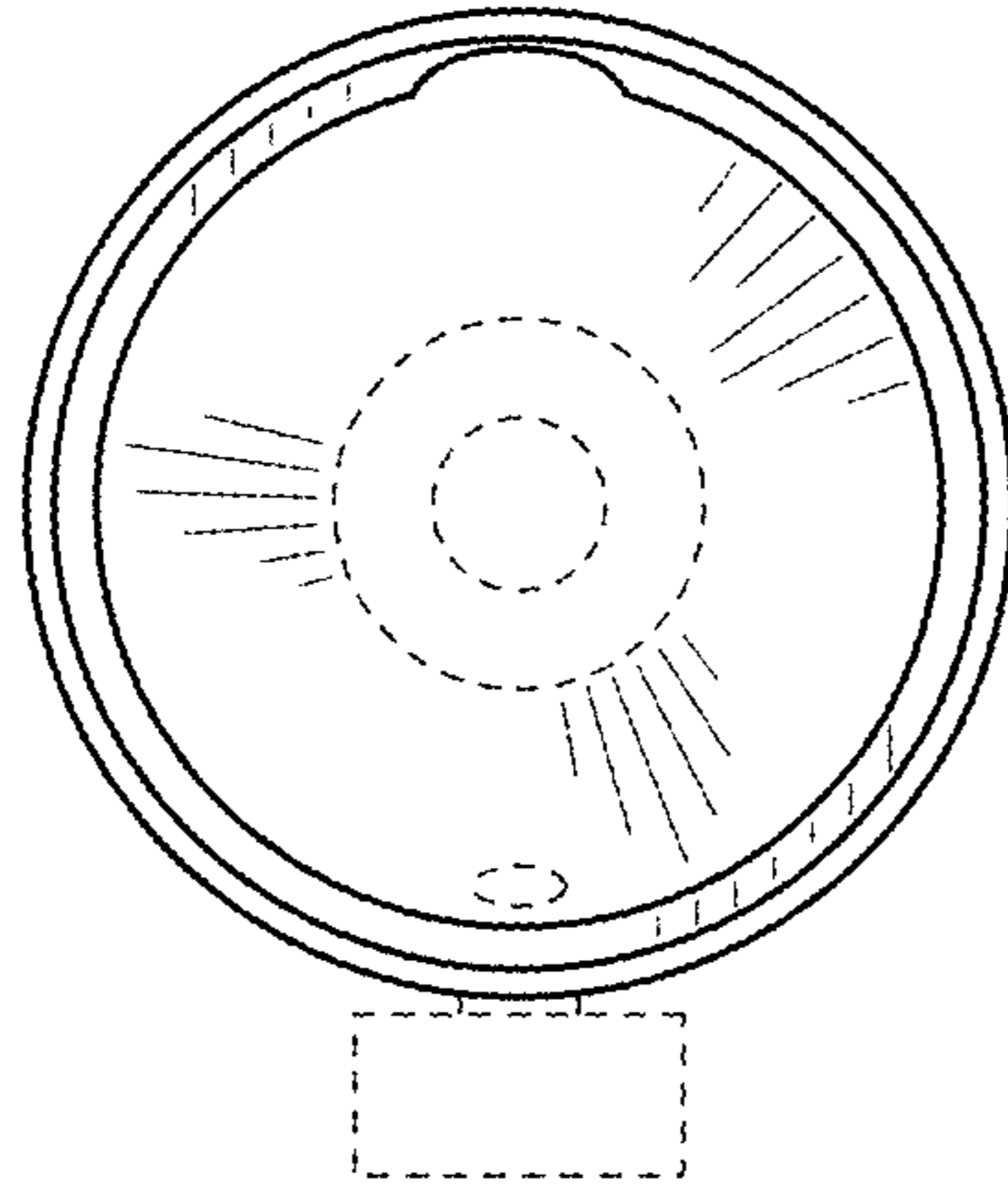


FIG. 2

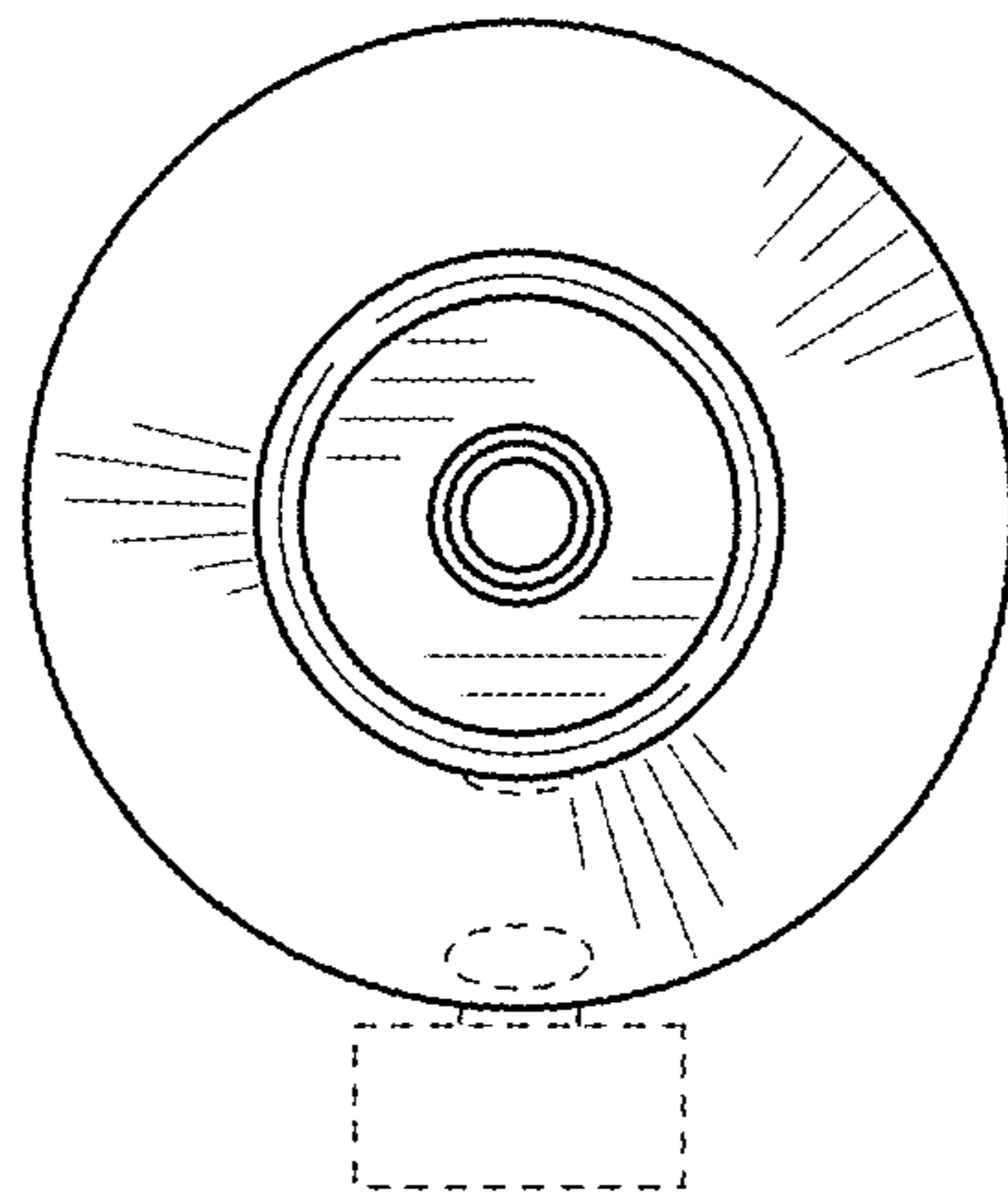


FIG. 3

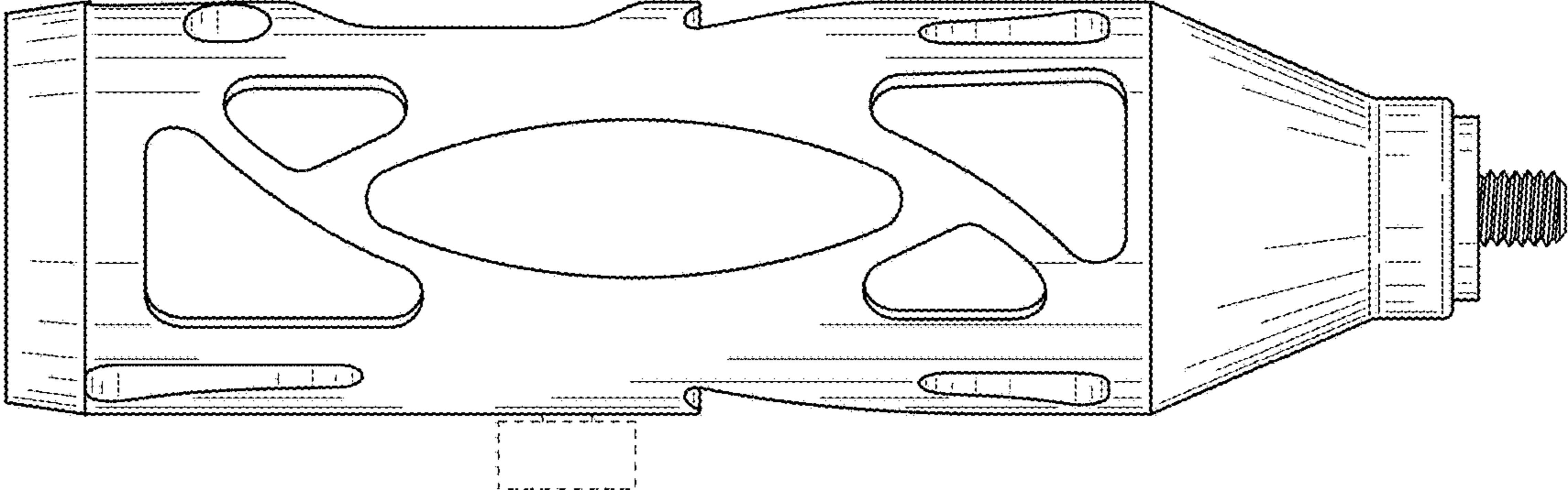


FIG. 4

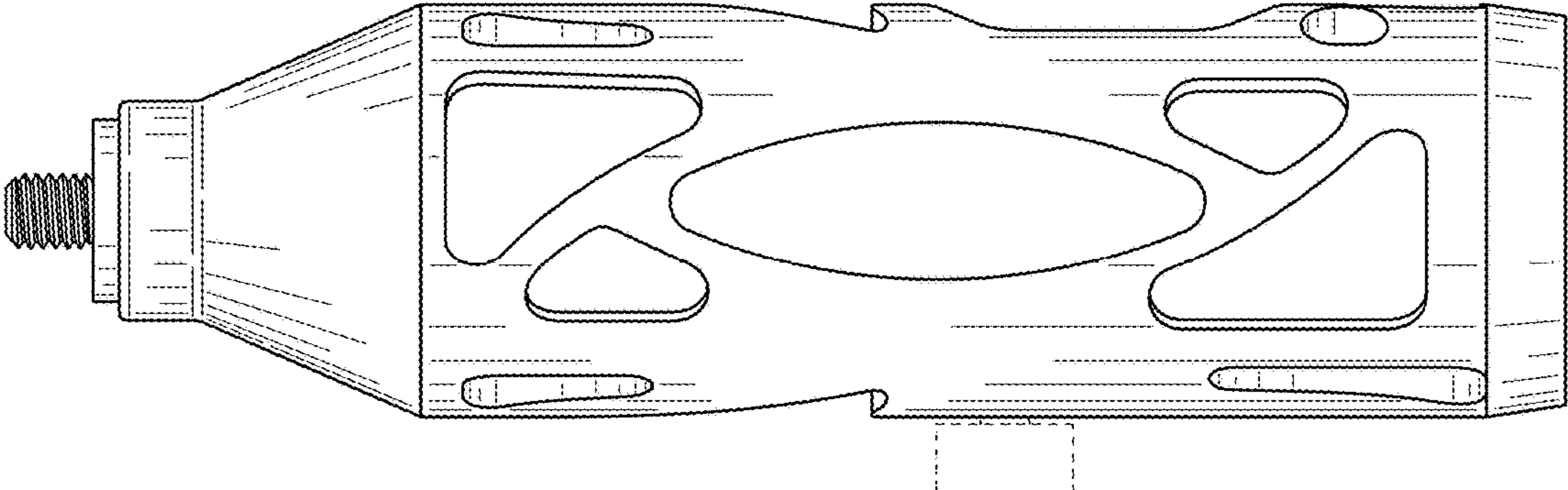


FIG. 5

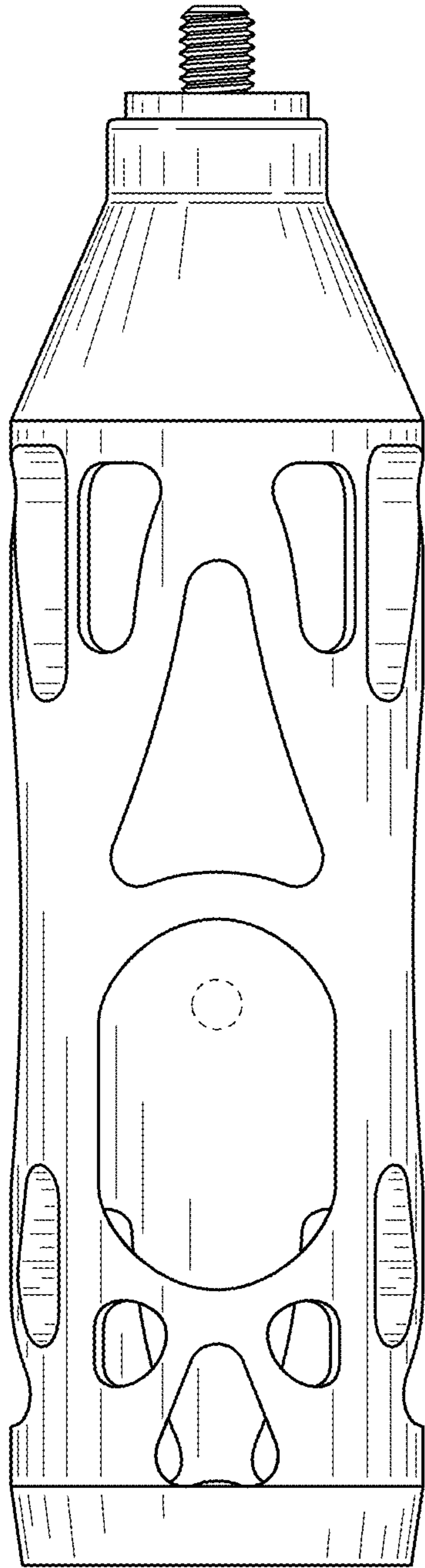


FIG. 6

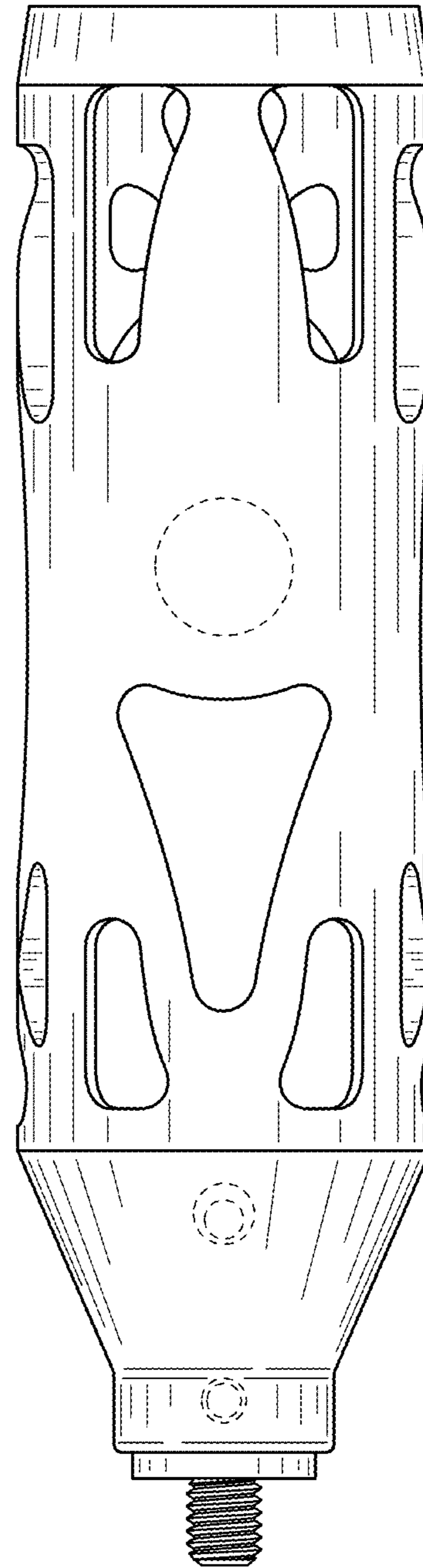


FIG. 7

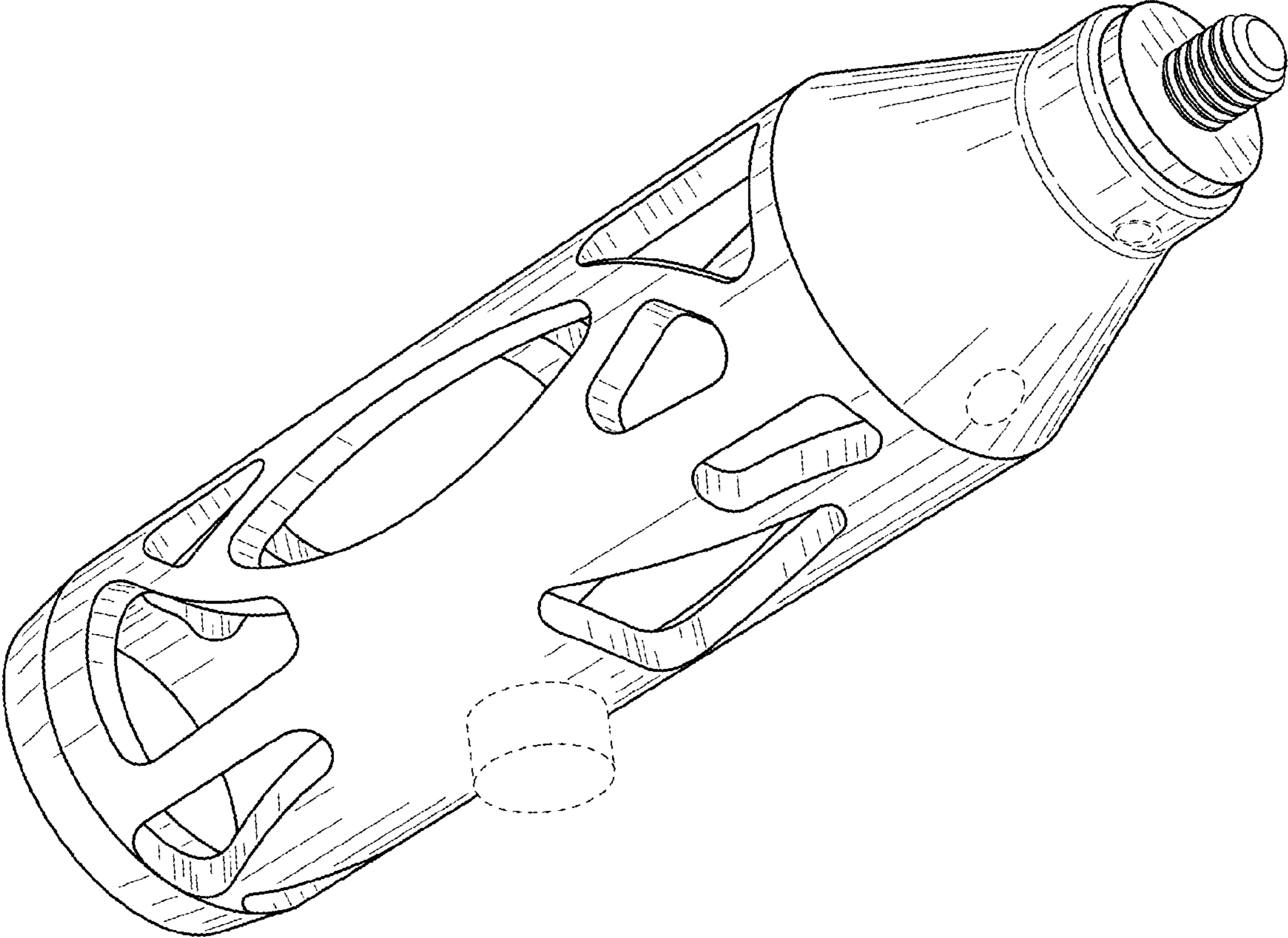


FIG. 8