



US00D809052S

(12) **United States Design Patent**
Martin et al.

(10) **Patent No.:** **US D809,052 S**
(45) **Date of Patent:** **** Jan. 30, 2018**

(54) **SUCTION MOUNT FOR PORTABLE CAMERA**

(71) Applicant: **OCU, LLC**, Tempe, AZ (US)

(72) Inventors: **Hugo Martin**, Oxfordshire (GB);
Robert William Moore, Theale (GB);
Firas Kittaneh, Tempe, AZ (US)

(73) Assignee: **OCU LIMITED**, East Grinstead (GB)

(**) Term: **15 Years**

(21) Appl. No.: **29/551,178**

(22) Filed: **Jan. 11, 2016**

(51) **LOC (11) Cl.** **16-05**

(52) **U.S. Cl.**
USPC **D16/242**

(58) **Field of Classification Search**
USPC D16/200, 204, 208, 213–219, 235,
D16/237–250; D14/217, 229, 250–253;
D8/363, 373, 394
CPC G03B 17/02–17/04; G03B 17/14; G03B
17/56; G03B 17/561–17/568; G03B
21/20; G02B 7/00–7/002; F16M 11/02;
F16M 11/04; F16M 11/20; F16M 11/40
See application file for complete search history.

(56) **References Cited**

U.S. PATENT DOCUMENTS

- 5,588,625 A * 12/1996 Beak F16M 11/126
248/371
- D638,048 S * 5/2011 Kim D16/225
- D638,461 S * 5/2011 Kim D16/235
- D643,398 S * 8/2011 Zakarias D14/148
- D687,085 S * 7/2013 Manson D16/242
- D688,726 S * 8/2013 Samuels D16/242
- D692,939 S * 11/2013 Huang D16/218

- D705,748 S * 5/2014 He D14/155
- D739,407 S * 9/2015 Son D14/434
- D754,110 S * 4/2016 Jung D14/240
- D759,147 S * 6/2016 Harrison D16/242
- D764,559 S * 8/2016 Luo D16/202
- D771,734 S * 11/2016 Samuels D16/245
- D775,627 S * 1/2017 Yang D14/217
- 2012/0228443 A1* 9/2012 Du F16M 11/10
248/176.3
- 2015/0377410 A1* 12/2015 Borysenko B60R 11/00
403/331

FOREIGN PATENT DOCUMENTS

CN 201330255530 * 6/2013

* cited by examiner

Primary Examiner — Vy N Koenig

Assistant Examiner — Omeed Agilee

(74) *Attorney, Agent, or Firm* — Weiss & Moy, P.C.;
Jeffrey D. Moy

(57) **CLAIM**

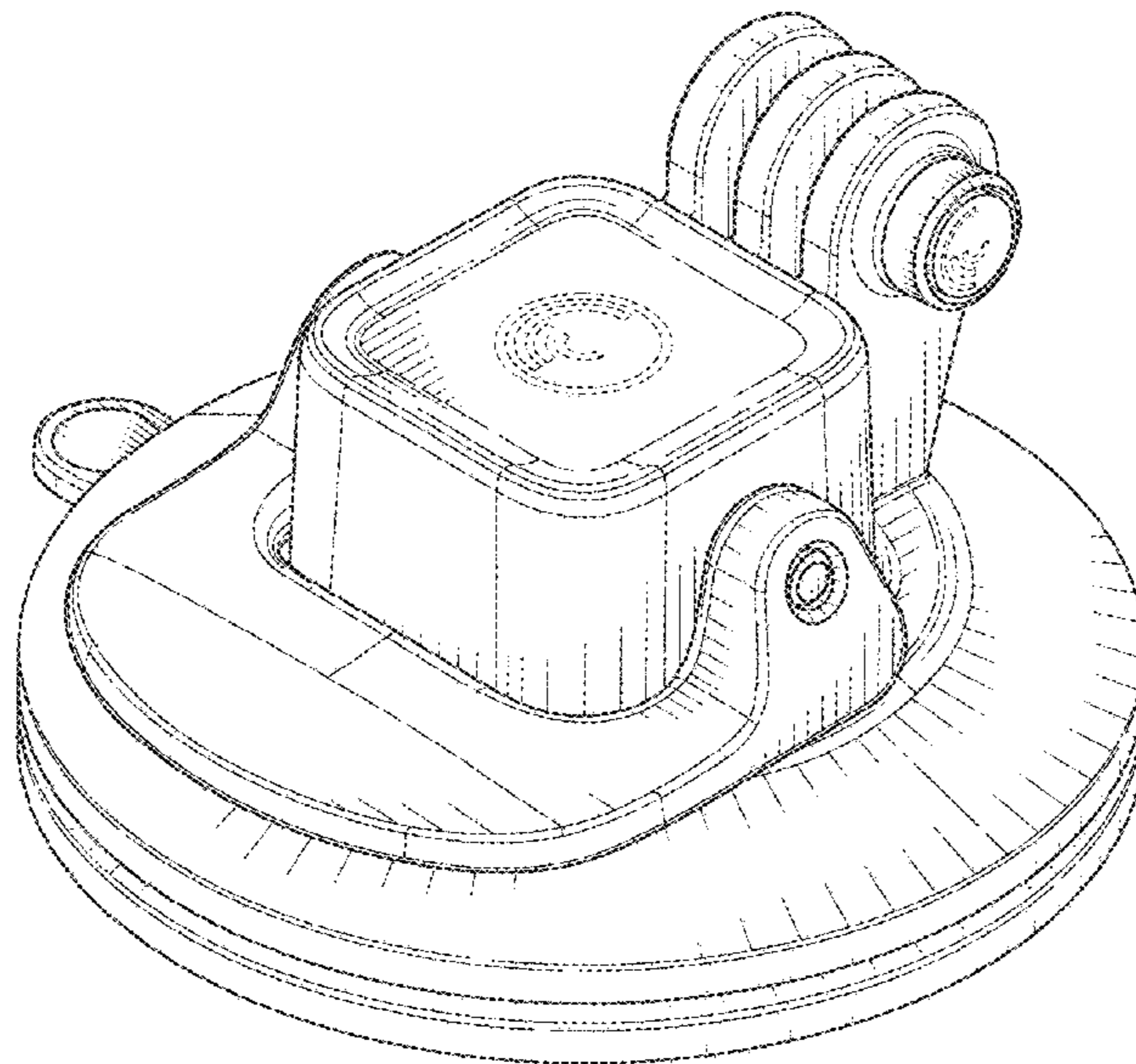
The ornamental design for a suction mount for portable camera, as shown and described.

DESCRIPTION

FIG. 1 is a front, top and right perspective view of a suction mount for portable camera showing our new design; FIG. 2 is a front elevational view thereof; FIG. 3 is a rear elevational view thereof; FIG. 4 is a right elevational view thereof; FIG. 5 is a left elevational view thereof; FIG. 6 is a top plan view thereof; and, FIG. 7 is a bottom plan view thereof.

The broken lines in the drawings depict portions of the suction mount for portable camera that form no part of the claimed design.

1 Claim, 5 Drawing Sheets



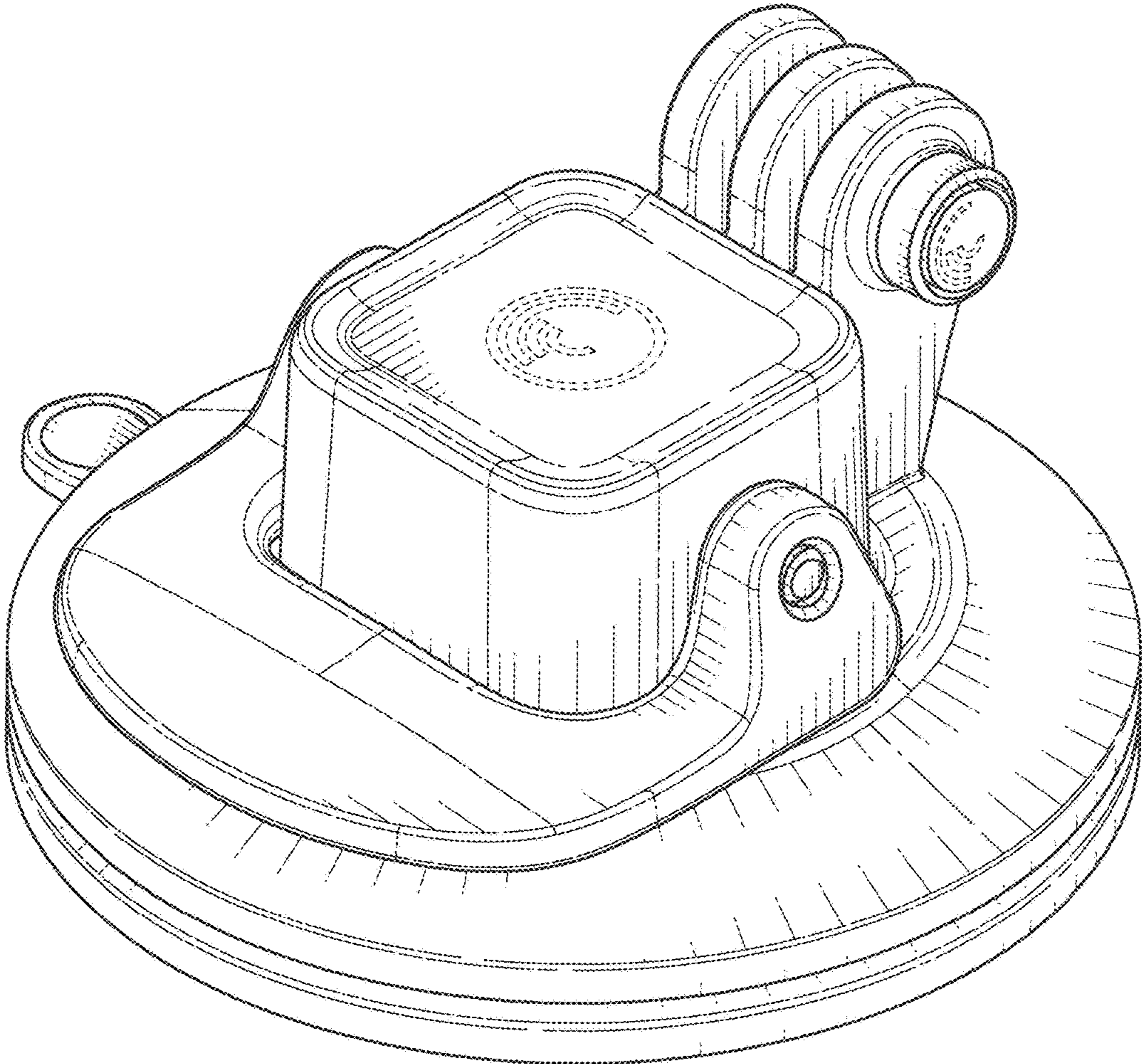


FIG. 1

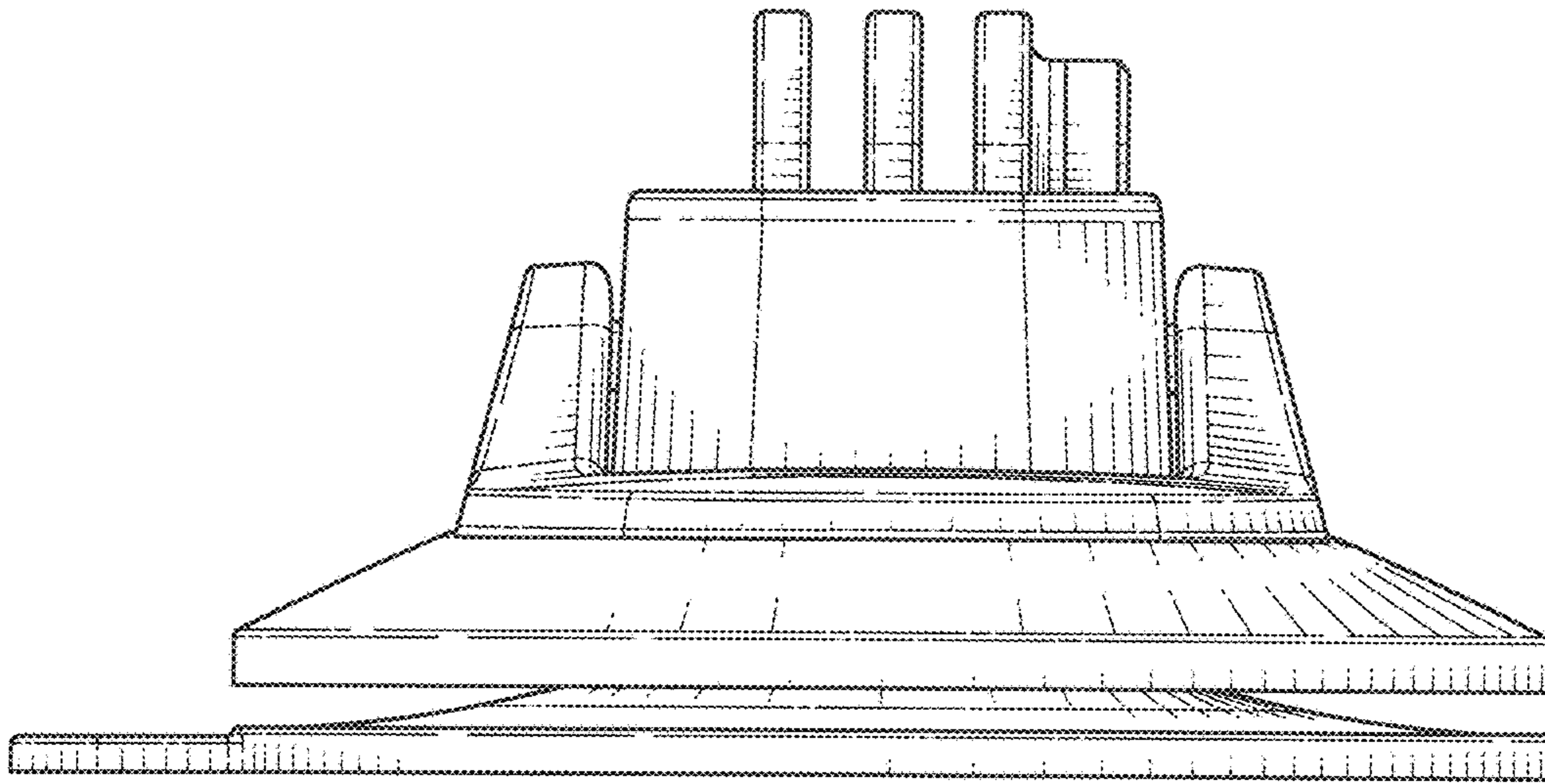


FIG. 2

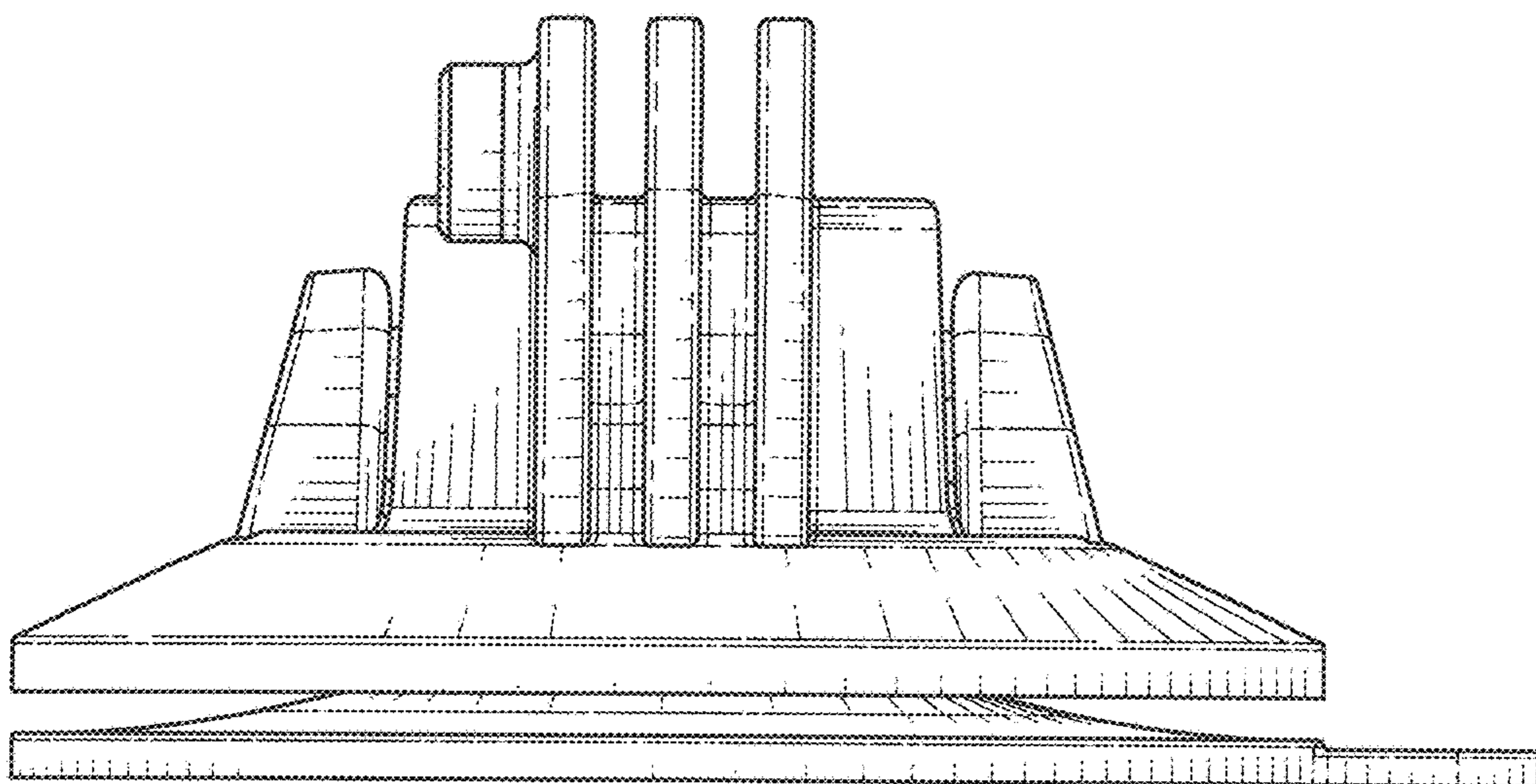


FIG. 3

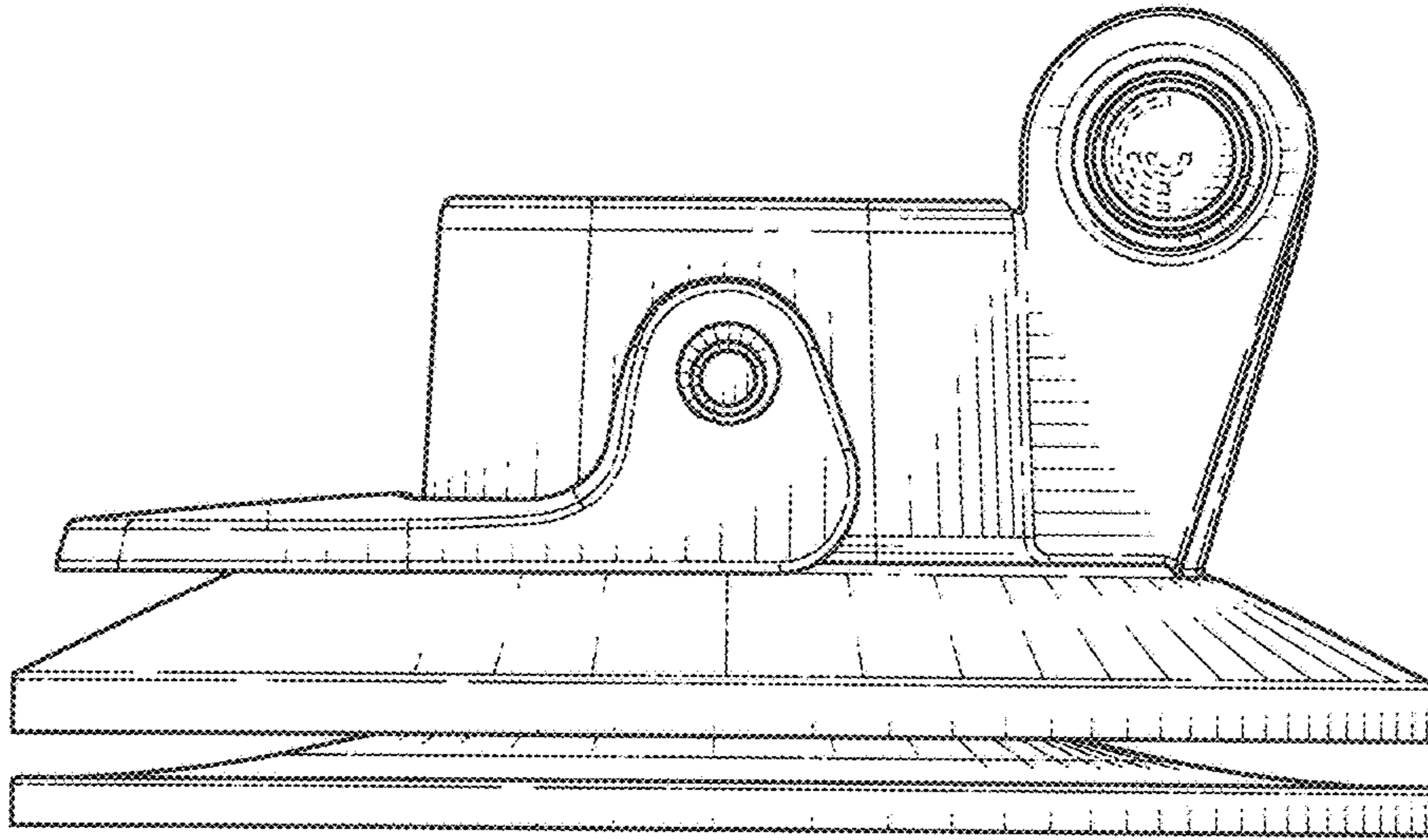


FIG. 4

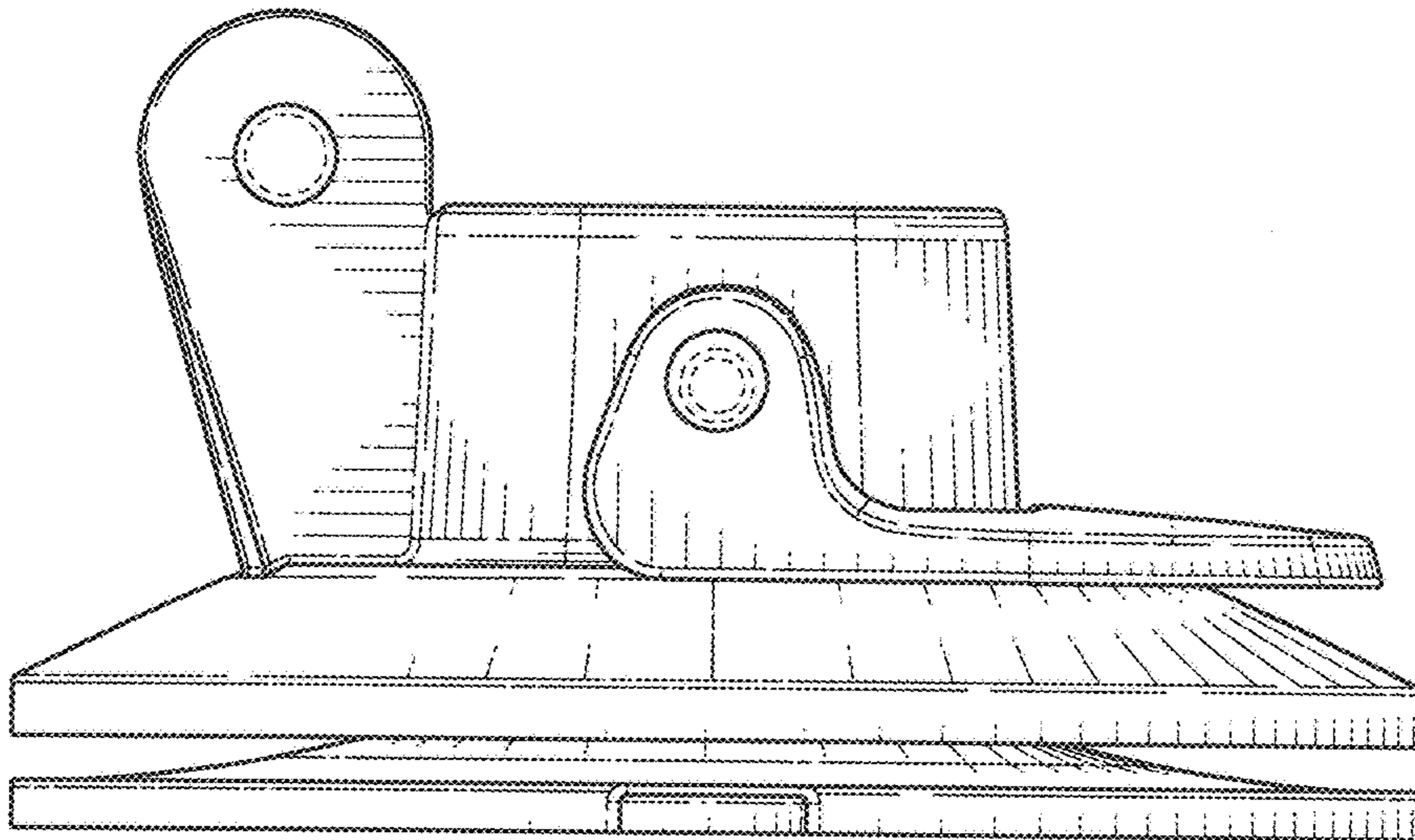


FIG. 5

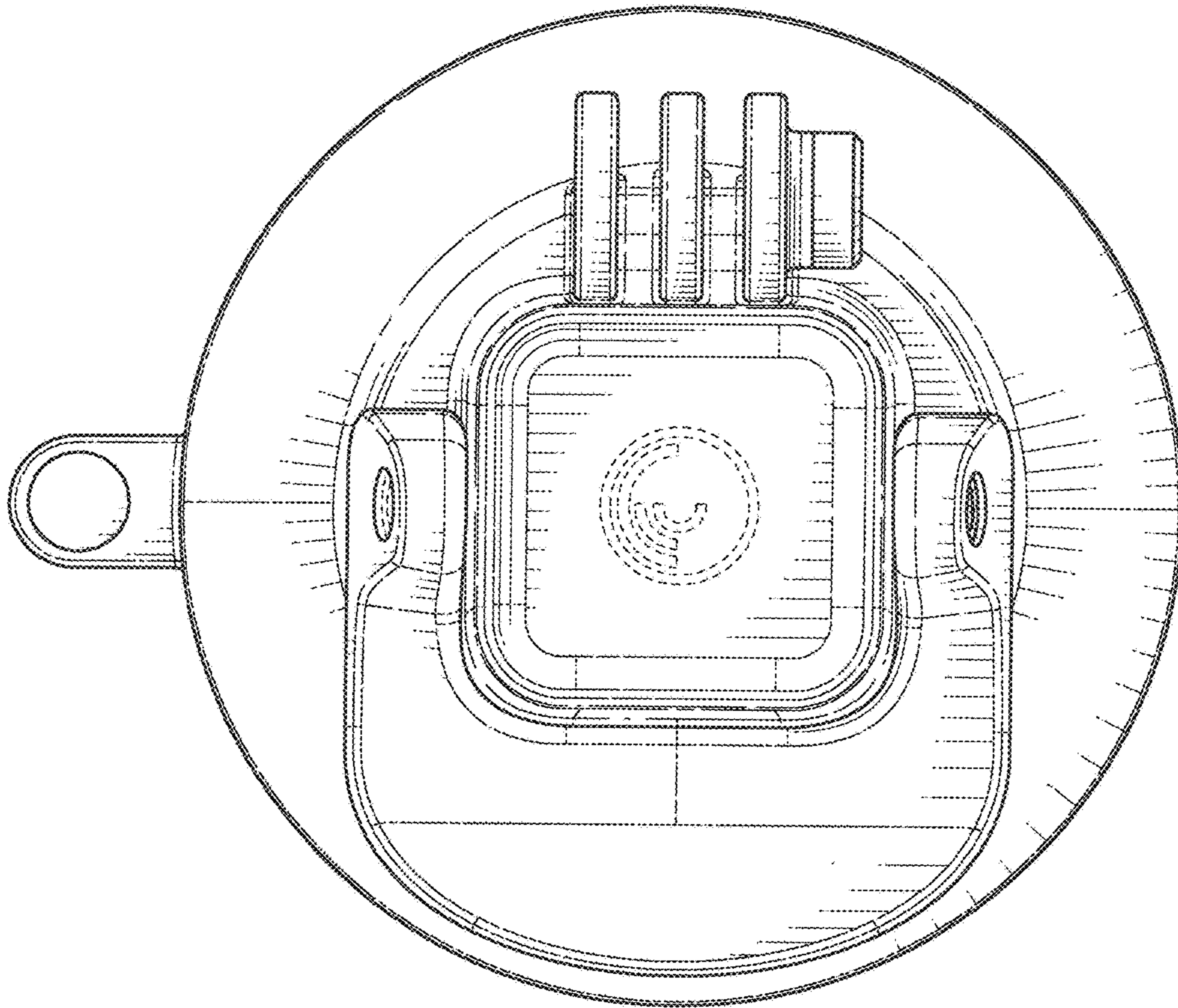


FIG. 6

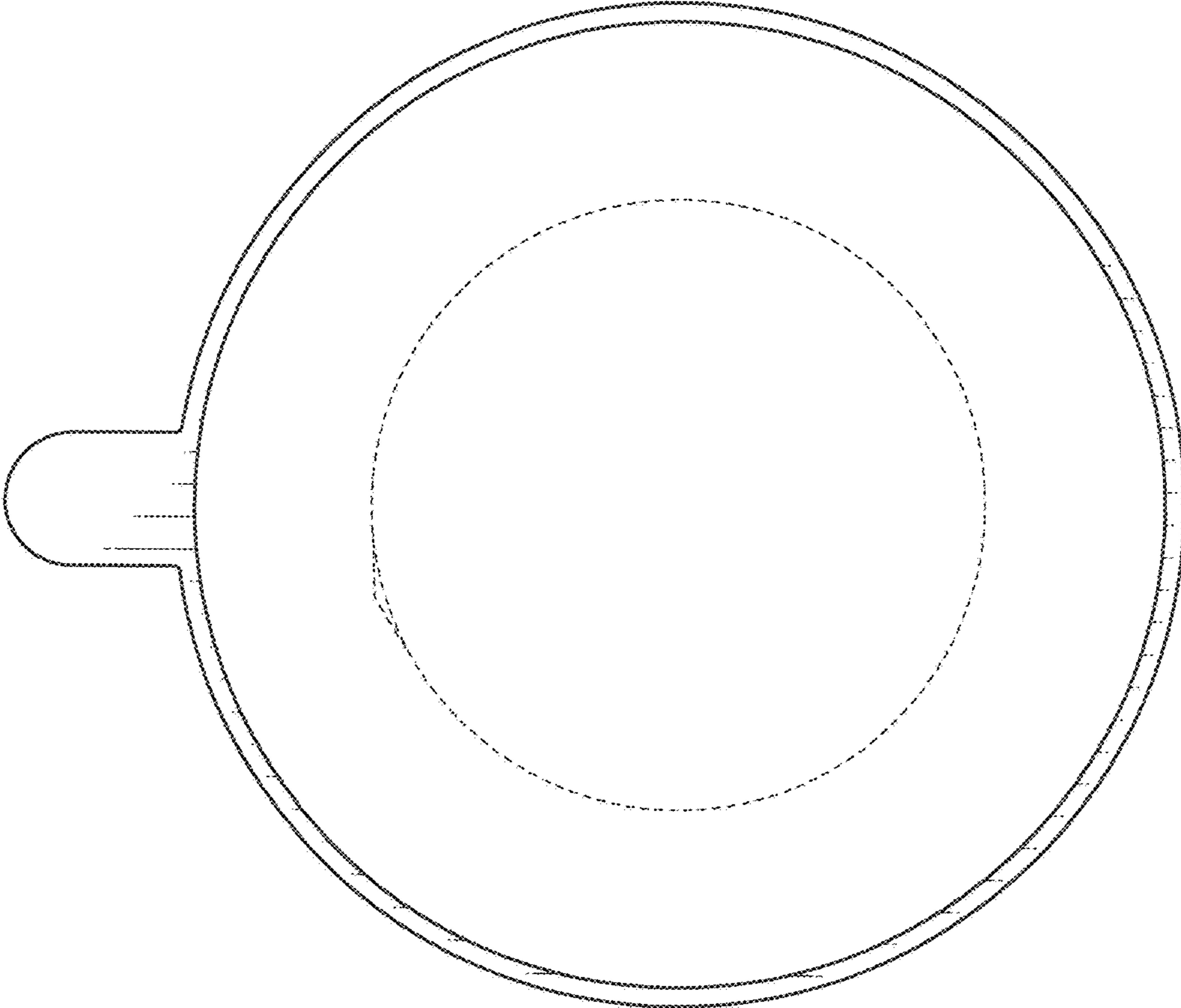


FIG. 7