



US00D809051S

(12) **United States Design Patent**
Sakai

(10) **Patent No.:** **US D809,051 S**

(45) **Date of Patent:** **** Jan. 30, 2018**

- (54) **LENS FOR TELEVISION CAMERA**
- (71) Applicant: **FUJIFILM Corporation**, Tokyo (JP)
- (72) Inventor: **Hiroyuki Sakai**, Tokyo (JP)
- (73) Assignee: **FUJIFILM Corporation**, Tokyo (JP)
- (**) Term: **15 Years**

D416,271 S 11/1999 Ikenaga
 D469,792 S 2/2003 Kawashima
 7,444,074 B2* 10/2008 Shibasaki G02B 7/102
 348/373
 D605,681 S 12/2009 Obata
 D615,118 S 5/2010 Isozaki
 D624,110 S 9/2010 Isozaki
 8,023,033 B2* 9/2011 Kirihara G03B 13/02
 348/333.01

(Continued)

- (21) Appl. No.: **29/603,646**
- (22) Filed: **May 11, 2017**

Related U.S. Application Data

- (62) Division of application No. 29/539,136, filed on Sep. 11, 2015, now Pat. No. Des. 788,836.

Foreign Application Priority Data

- Mar. 13, 2015 (JP) 2015-005492
- Mar. 13, 2015 (JP) 2015-005493
- Mar. 13, 2015 (JP) 2015-005494

- (51) **LOC (11) Cl.** **16-05**
- (52) **U.S. Cl.**
USPC **D16/219**

- (58) **Field of Classification Search**
USPC D16/200-220, 239, 235, 242, 250, 310,
D16/136; D14/251, 138 C, 302, 129,
D14/130, 496; D26/28, 36, 37, 46, 39;
D29/104; D10/104.1, 50, 65, 74
CPC ... G02B 7/02; G02B 7/04; G02B 7/14; G03B
17/00; G03B 17/14
See application file for complete search history.

- (56) **References Cited**

U.S. PATENT DOCUMENTS

D338,219 S * 8/1993 Takahashi D16/134
 D341,154 S * 11/1993 Isozaki D16/209
 D398,315 S * 9/1998 Miyamoto D16/134
 D407,728 S * 4/1999 Miyamoto D16/134

OTHER PUBLICATIONS

Fujinon UA 22x8, announced Jun. 29, 2016 [online], [site visited Nov. 21, 2017], Available from Internet URL: <<https://www.youtube.com/watch?v=hN-gO1DbNrs>> at approximately 5:32.*

Primary Examiner — Barbara Fox
Assistant Examiner — Mary C Ramirez
 (74) *Attorney, Agent, or Firm* — Young & Thompson

- (57) **CLAIM**

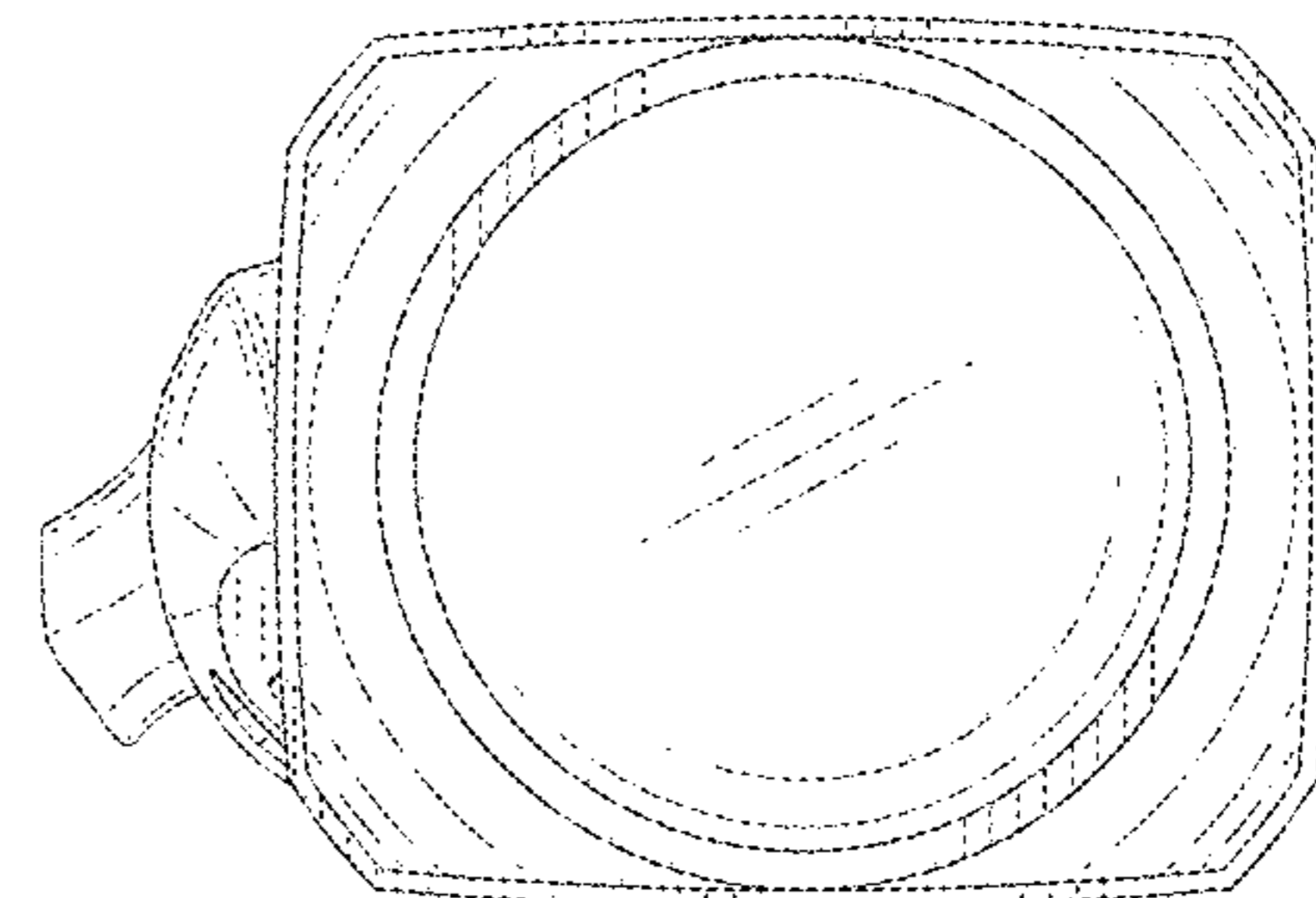
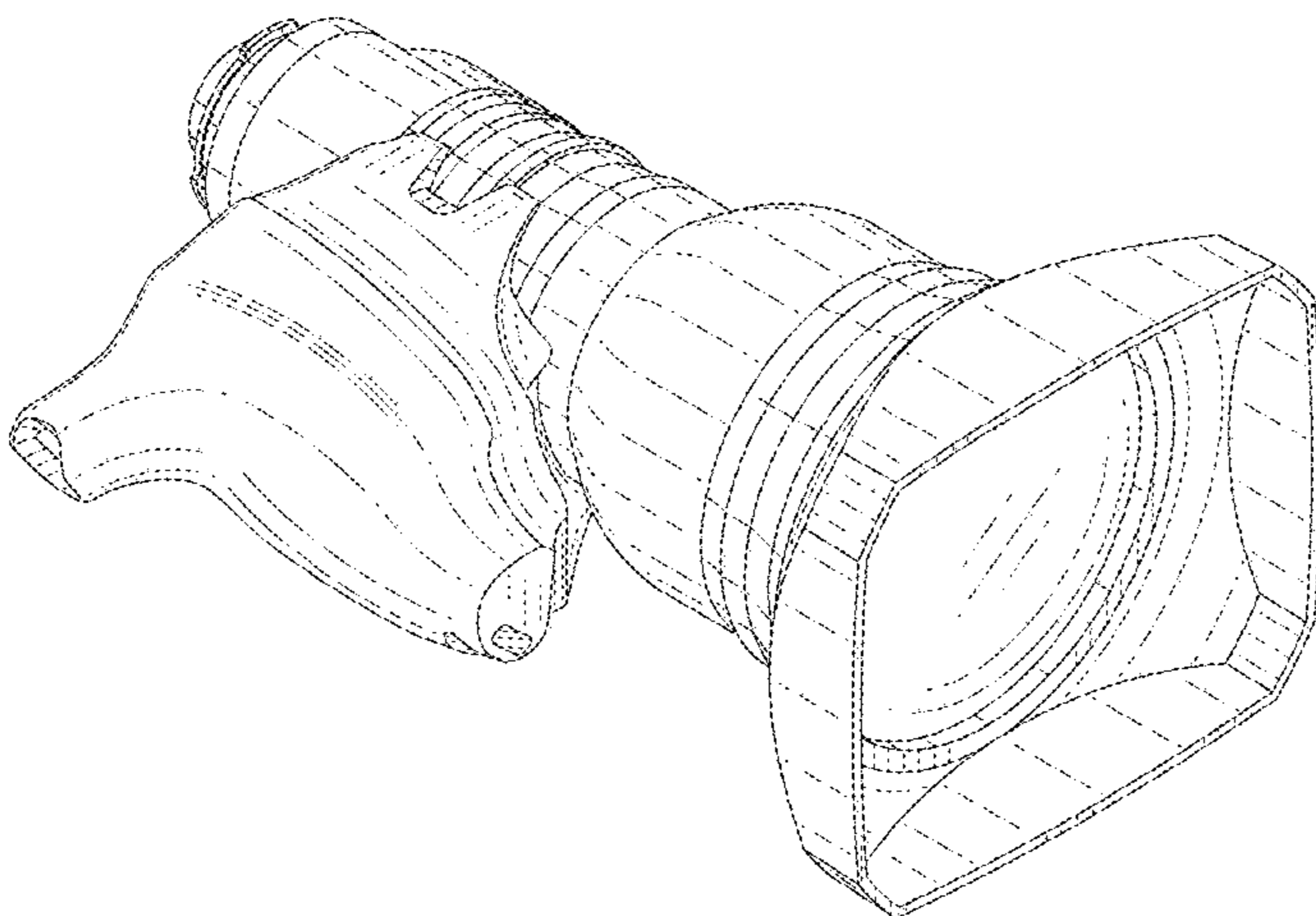
The ornamental design for a lens for television camera, as shown and described.

DESCRIPTION

FIG. 1 is a top, front and left side perspective view of a lens for television camera of my new design;
 FIG. 2 is a bottom, front and right side perspective view thereof;
 FIG. 3 is a front elevational view thereof;
 FIG. 4 is a rear elevational view thereof;
 FIG. 5 is a top plan view thereof;
 FIG. 6 is a bottom plan view thereof;
 FIG. 7 is a left side elevational view thereof;
 FIG. 8 is a right side elevational view thereof; and,
 FIG. 9 is a right side elevational view thereof in a manner of use.

The broken lines shown in FIG. 9 depict environmental subject matter and form no part of the claimed design.

1 Claim, 8 Drawing Sheets



(56)

References Cited

U.S. PATENT DOCUMENTS

| | | | | |
|--------------|------|---------|-----------------|------------------------|
| D665,835 | S | 8/2012 | Yanagi et al. | |
| D665,836 | S | 8/2012 | Yanagi et al. | |
| D671,586 | S | 11/2012 | Asano et al. | |
| D673,993 | S | 1/2013 | Yanagi et al. | |
| D717,356 | S * | 11/2014 | Nikaido | D16/134 |
| 9,304,281 | B2 * | 4/2016 | Imagawa | G02B 7/102 |
| 9,307,164 | B2 * | 4/2016 | Miyashita | G01D 5/24485 |
| 9,350,907 | B2 * | 5/2016 | Matsuura | G02B 7/102 |
| D768,226 | S * | 10/2016 | Kawamura | D16/219 |
| D788,836 | S * | 6/2017 | Sakai | D16/219 |
| 2003/0173494 | A1 * | 9/2003 | Nakamura | G02B 7/08 250/201.2 |
| 2009/0219707 | A1 * | 9/2009 | Gerchman | G02B 7/02 362/3 |
| 2017/0059813 | A1 * | 3/2017 | Kageyama | G02B 7/10 |

* cited by examiner

FIG. 1

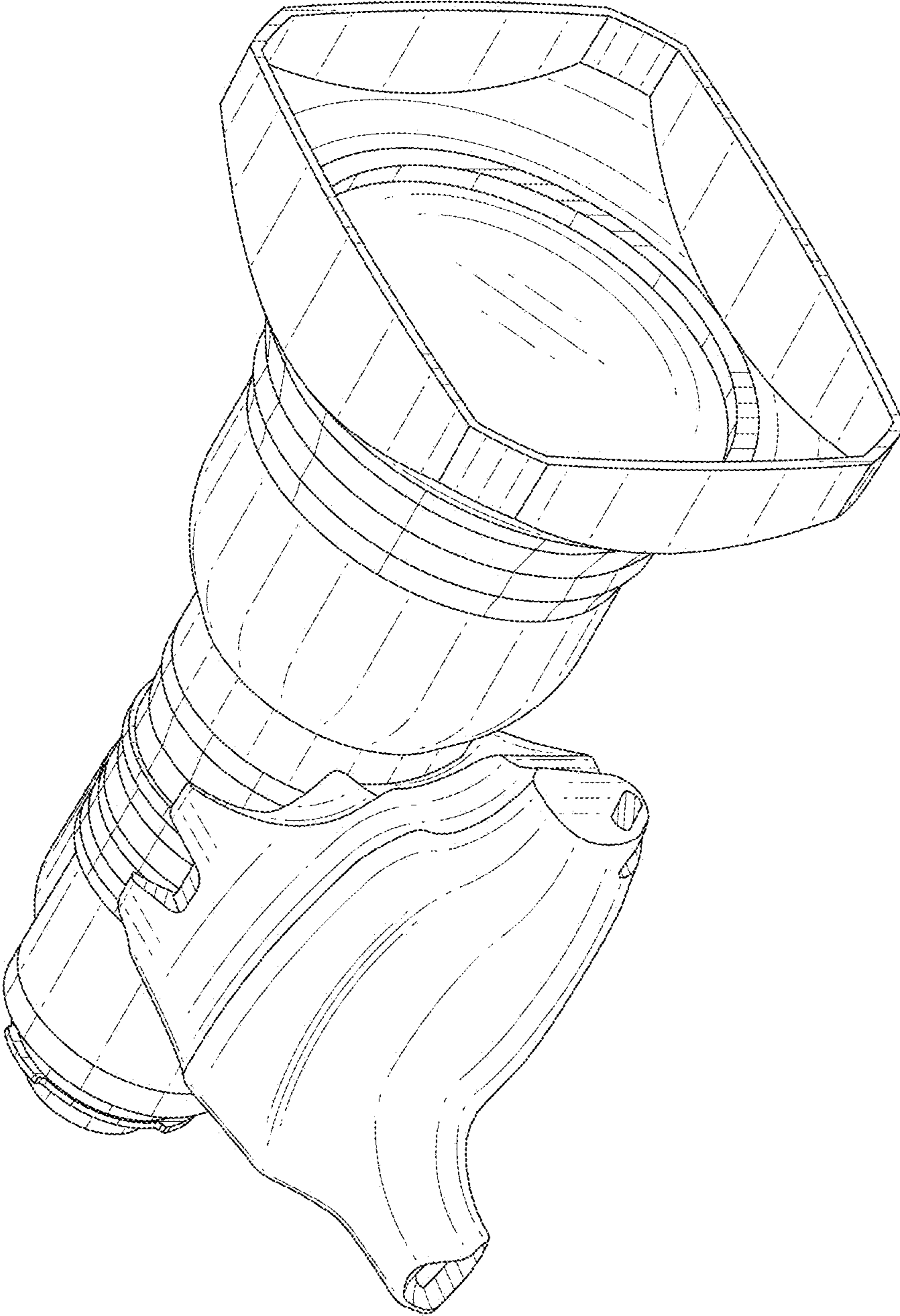


FIG. 2

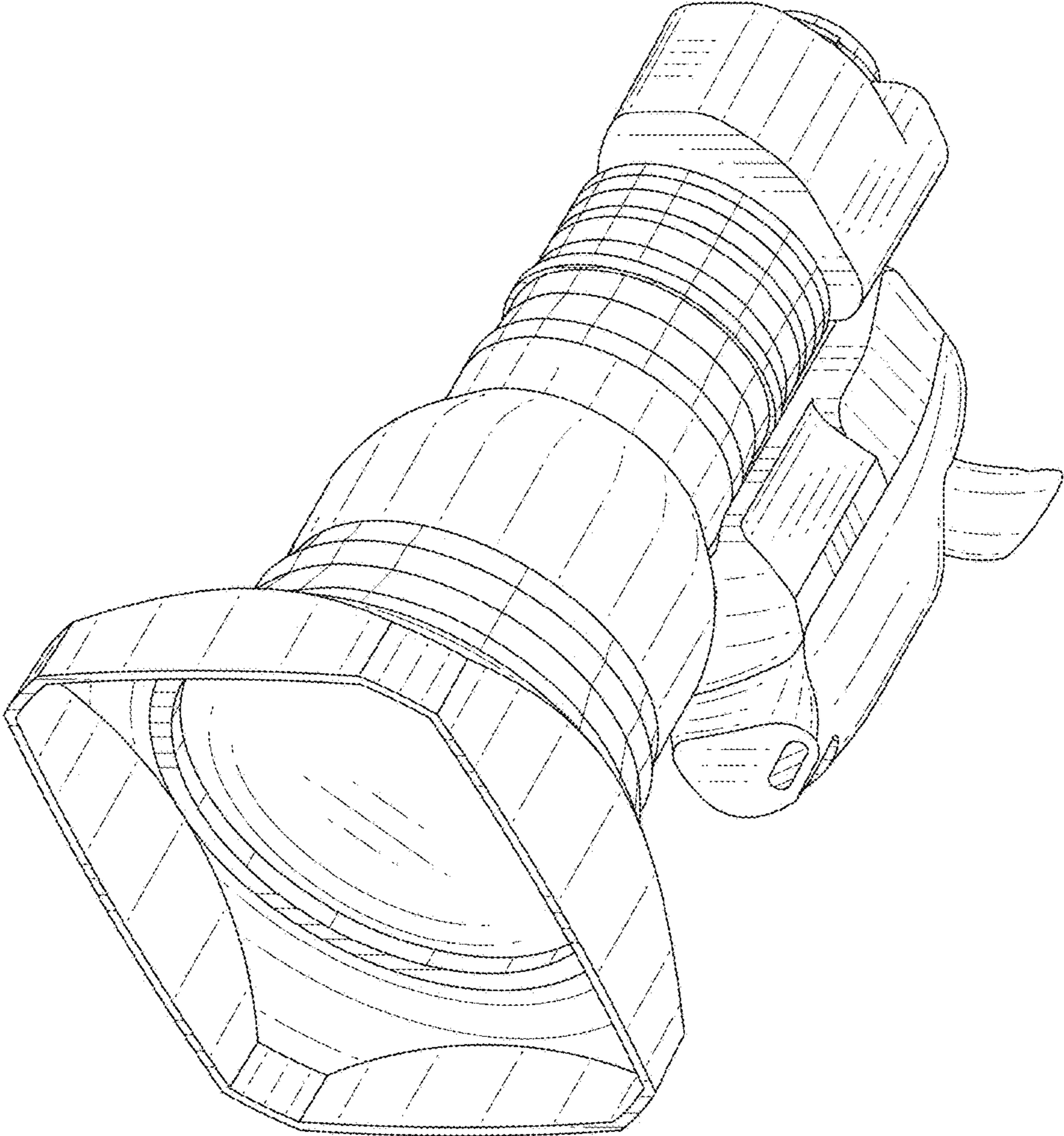


FIG. 3

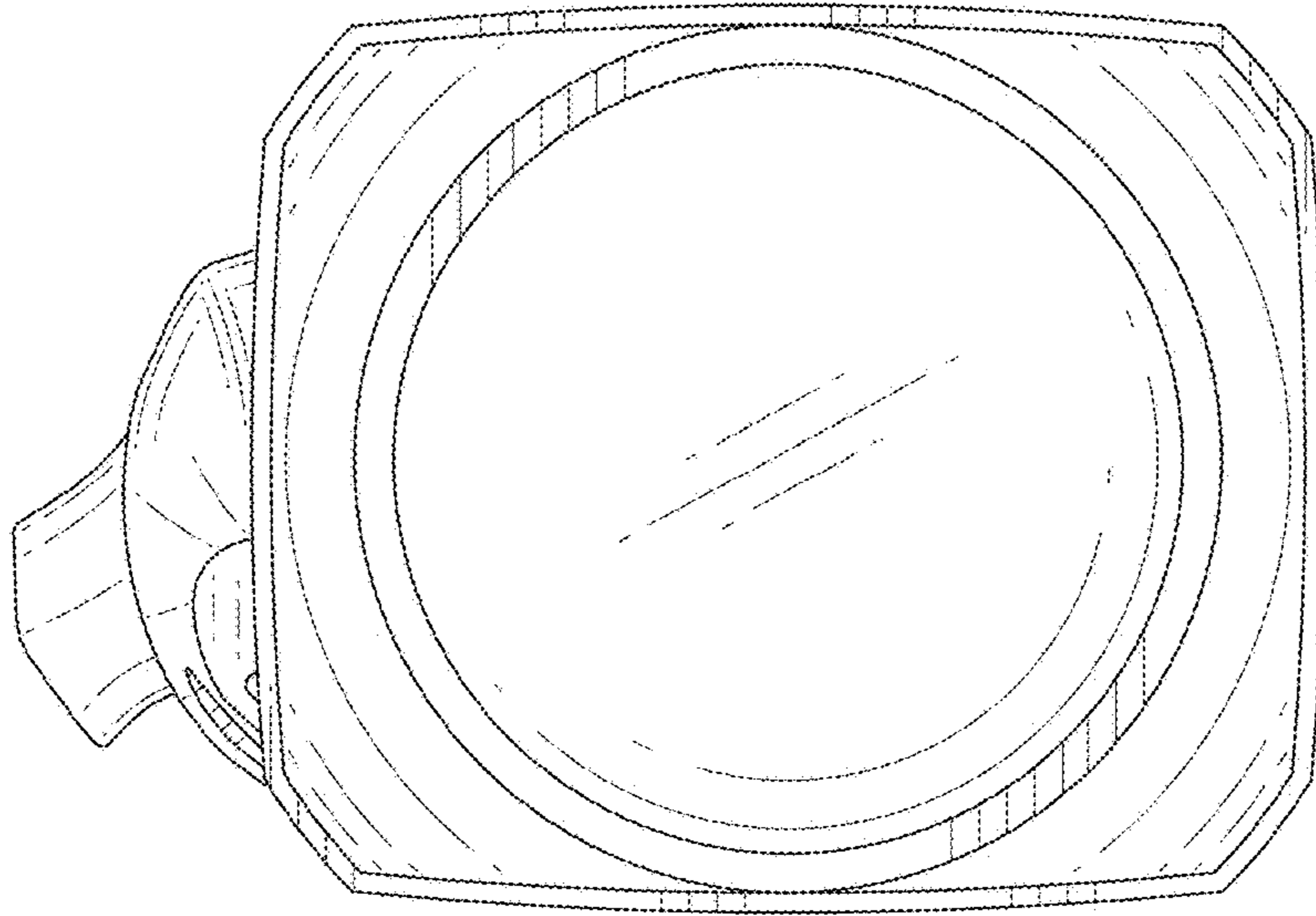


FIG. 4

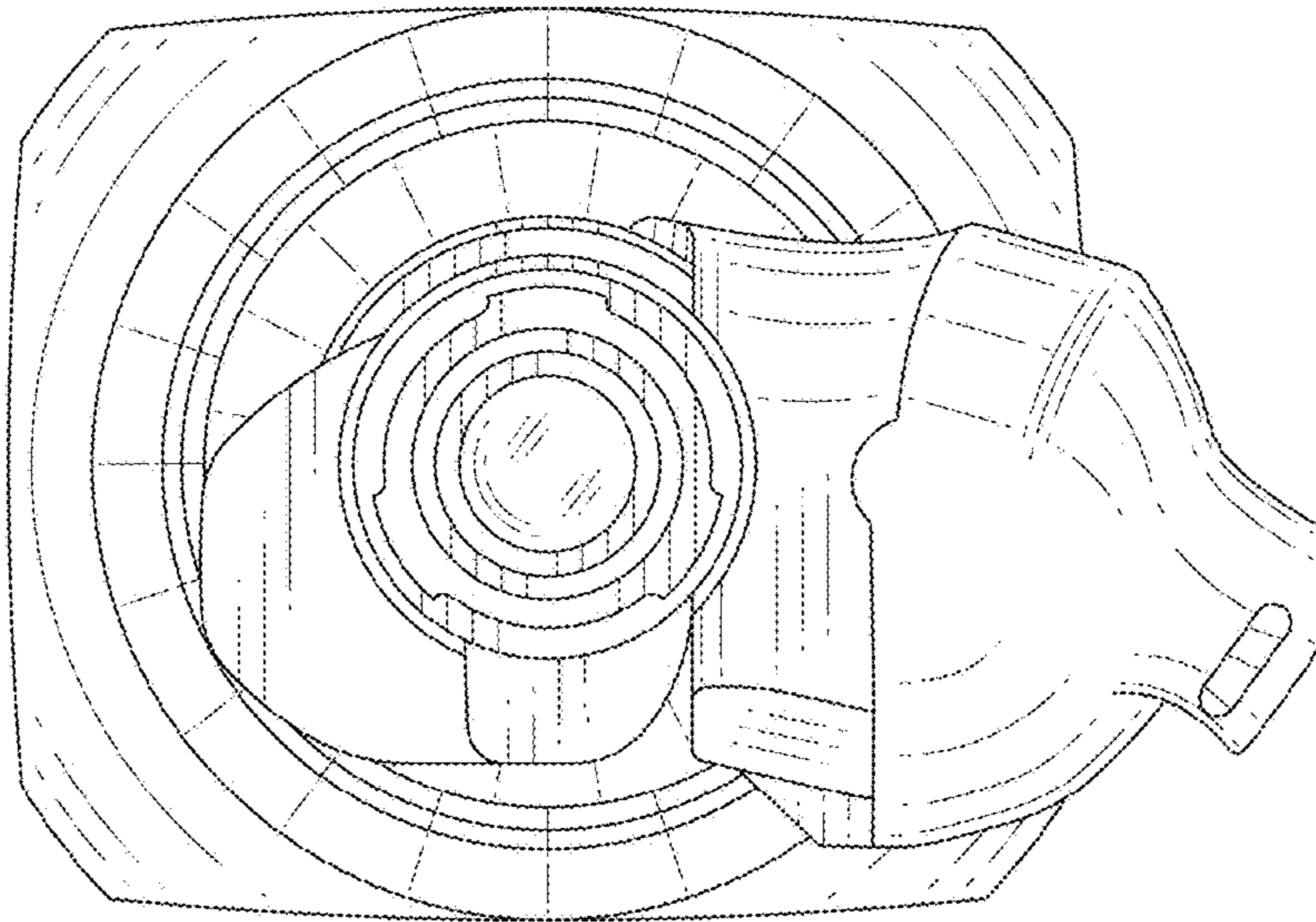


FIG. 5

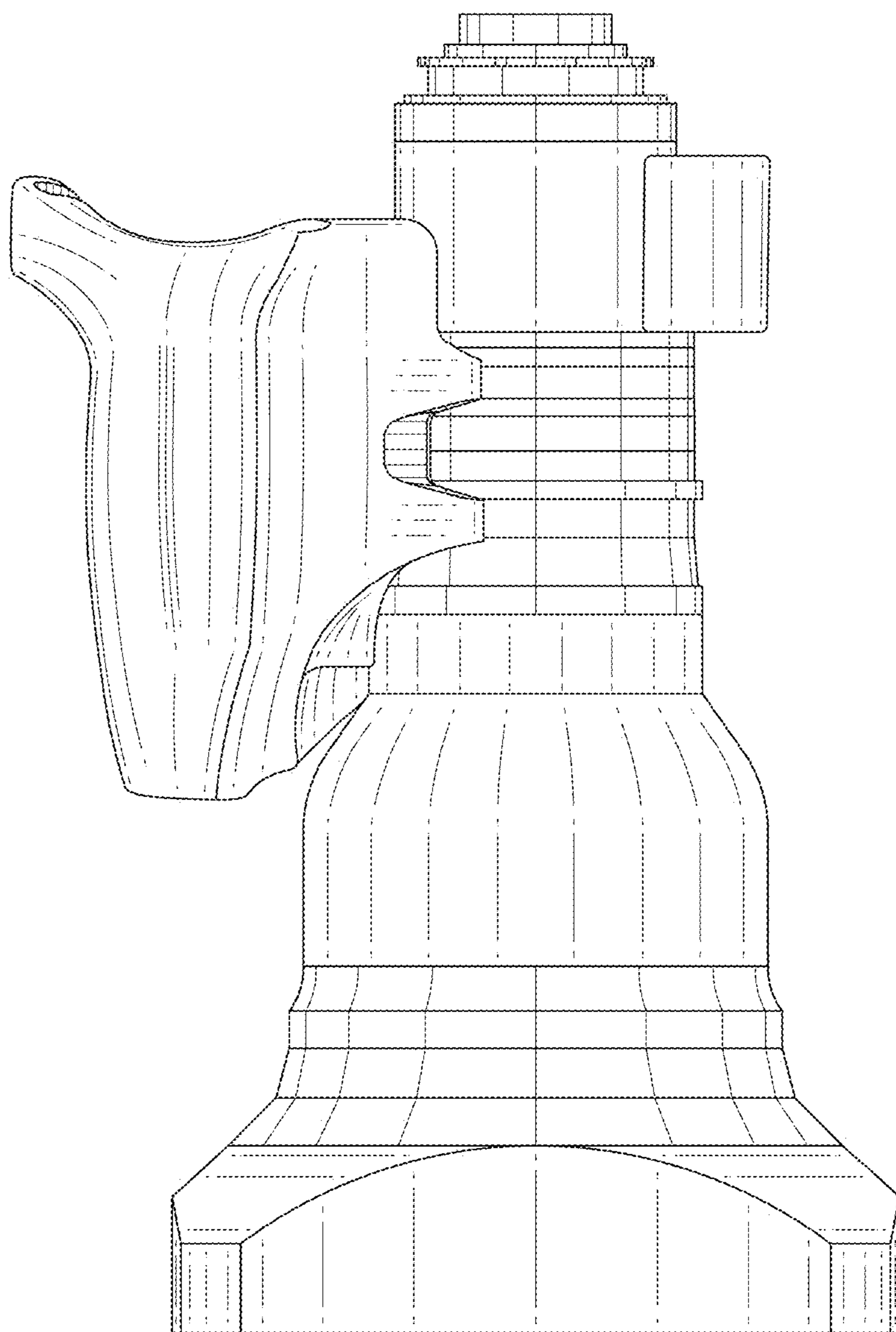


FIG. 6

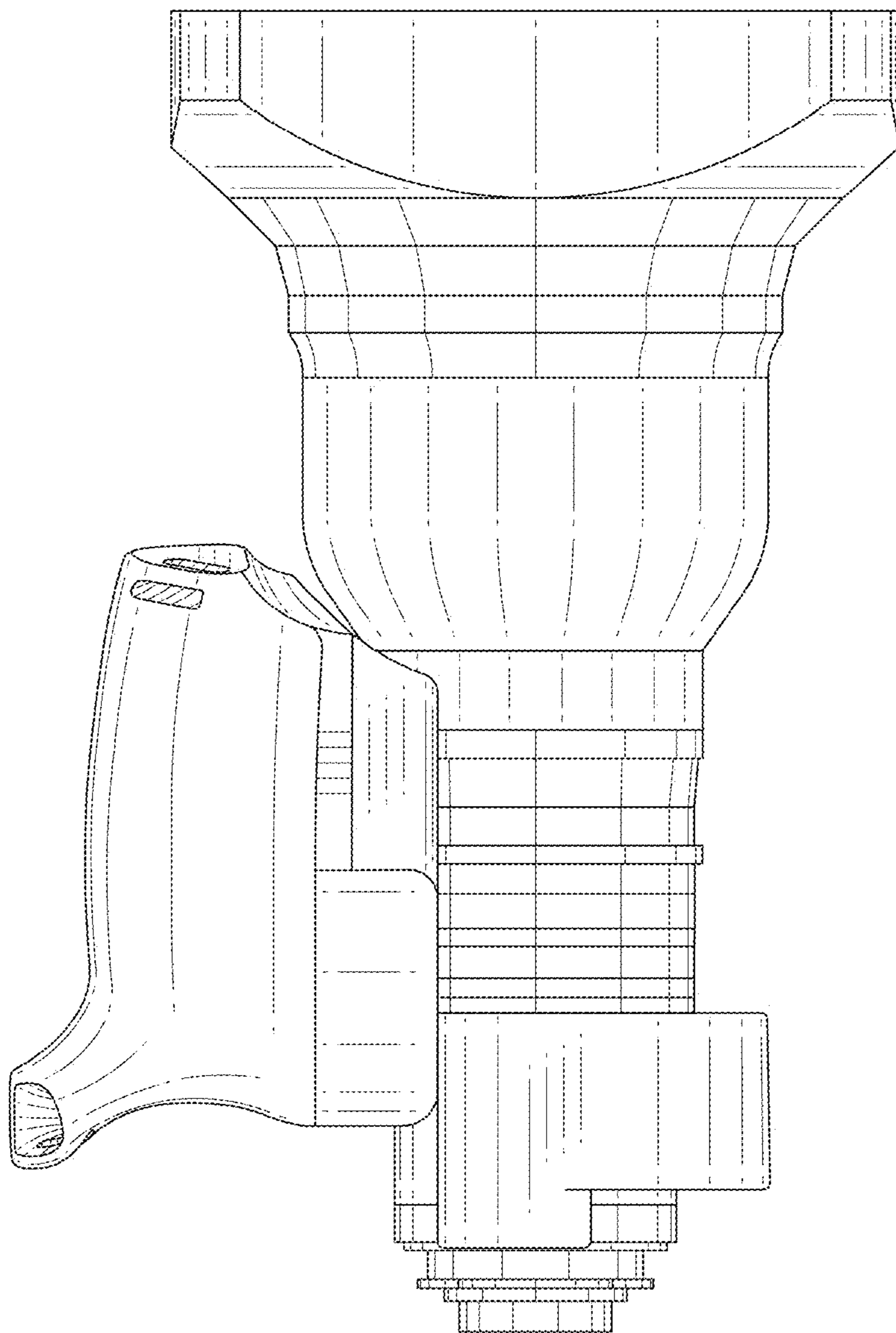


FIG. 7

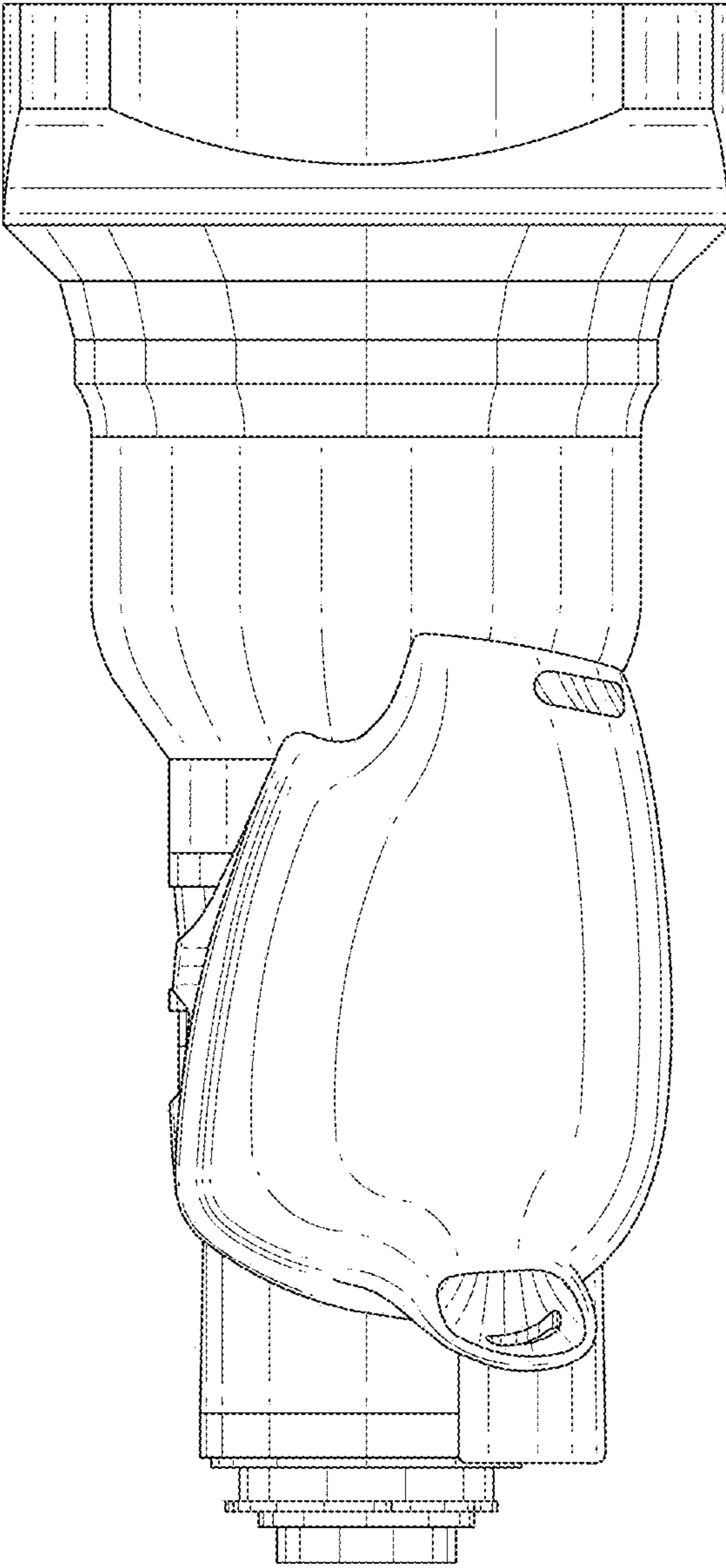


FIG. 8

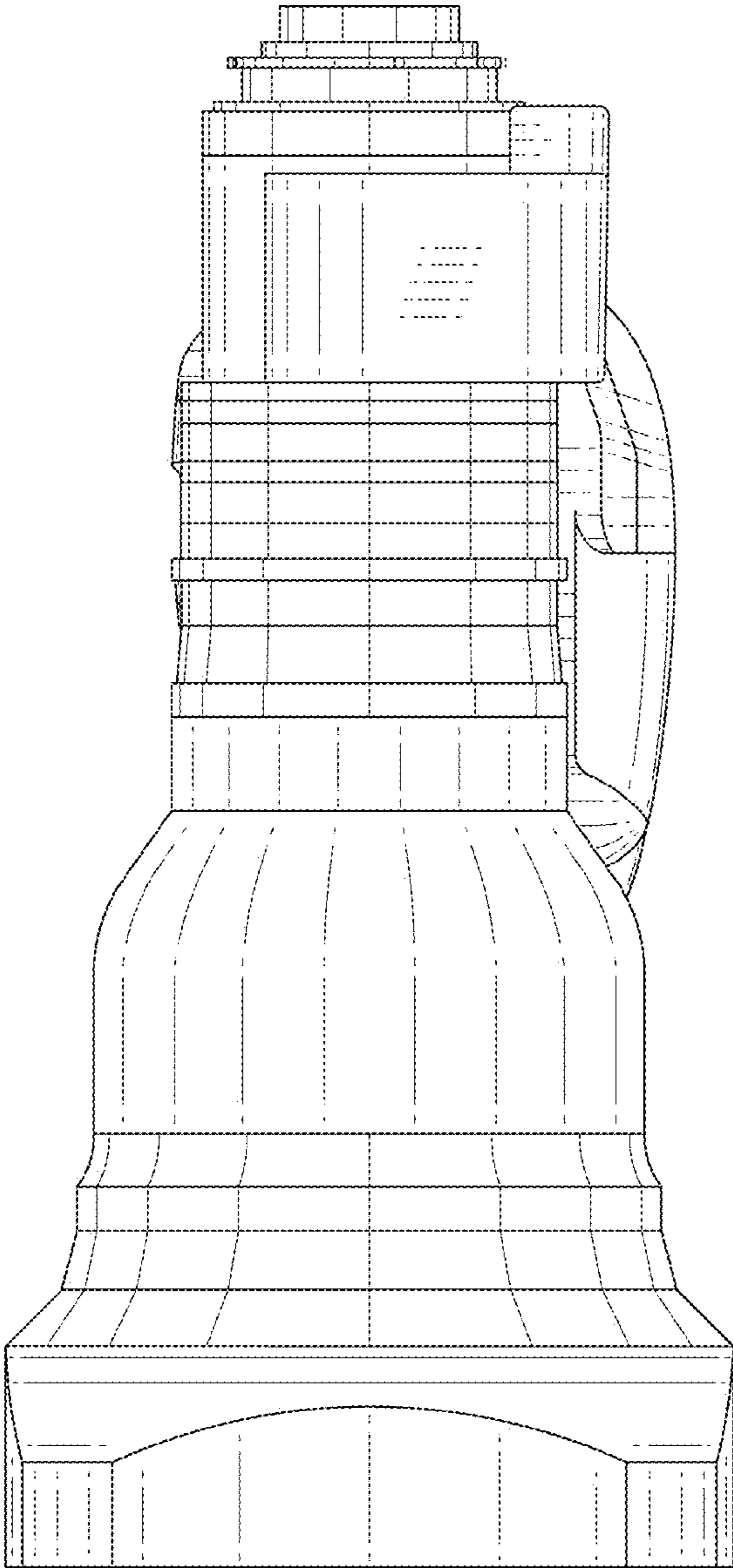


FIG. 9

