



US00D809047S

(12) **United States Design Patent**
Borg et al.

(10) **Patent No.:** **US D809,047 S**
(45) **Date of Patent:** **** Jan. 30, 2018**

(54) **MONITORING CAMERA**

(71) Applicant: **Axis AB**, Lund (SE)

(72) Inventors: **Johan Borg**, Malmo (SE); **Olle Linden**, Hollviken (SE); **Goran Schack**, Taby (SE); **Mathias Walter**, Arlov (SE); **Morten Bergstrom**, Bjarred (SE); **Daniel Ahman**, Lomma (SE)

D517,585 S *	3/2006	Iino	D16/203
D543,567 S *	5/2007	Kato	D16/203
D574,870 S *	8/2008	Takahashi	D16/202
D597,117 S *	7/2009	Yamane	D16/203
D624,577 S	9/2010	Kujawski et al.	
D626,984 S *	11/2010	Miyaji	D16/202
D695,809 S *	12/2013	Katori	D16/203
D704,240 S *	5/2014	McBride	D16/203
D708,654 S *	7/2014	Tani	D16/203
D741,389 S *	10/2015	Park	D16/203

(Continued)

(73) Assignee: **Axis AB**, Lund (SE)

(**) Term: **14 Years**

(21) Appl. No.: **29/525,530**

(22) Filed: **Apr. 30, 2015**

(30) **Foreign Application Priority Data**

Oct. 30, 2014 (EM) 002568121-0001
Oct. 30, 2014 (EM) 002568121-0002

(51) **LOC (11) Cl.** **16-01**

(52) **U.S. Cl.**
USPC **D16/203**

(58) **Field of Classification Search**

USPC D16/200, 202–206, 218, 219, 242;
348/143, 148, 151, 373–376; 396/419,
396/427, 535, 539–541
CPC G03B 17/02; G03B 19/04; G03B 17/56;
G03B 17/04; G03B 15/03; H04N 5/2251;
H04N 5/2252; H04N 5/2253; H04N
5/2254; H04N 7/181; H04N 7/183; H04N
7/18; G08B 13/1963; G08B 13/19619;
G08B 13/19632; F16M 11/04; F16M
13/00

See application file for complete search history.

(56) **References Cited**

U.S. PATENT DOCUMENTS

5,153,623 A * 10/1992 Bouvier G08B 13/19632
348/151
6,268,882 B1 * 7/2001 Elberbaum G08B 13/19619
348/143

FOREIGN PATENT DOCUMENTS

JP	D1371981	10/2009
TW	582897	4/2004
TW	D164572	12/2014

Primary Examiner — Philip S Hyder

Assistant Examiner — Ramzi S Almatrahi

(74) *Attorney, Agent, or Firm* — Volpe and Koenig, P.C.

(57) **CLAIM**

The ornamental design for a monitoring camera, as shown and described.

DESCRIPTION

FIG. 1 is a perspective view of a monitoring camera showing our new design;

FIG. 2 is a front elevational view thereof;

FIG. 3 is a left side elevational view thereof;

FIG. 4 is a right side elevational view thereof;

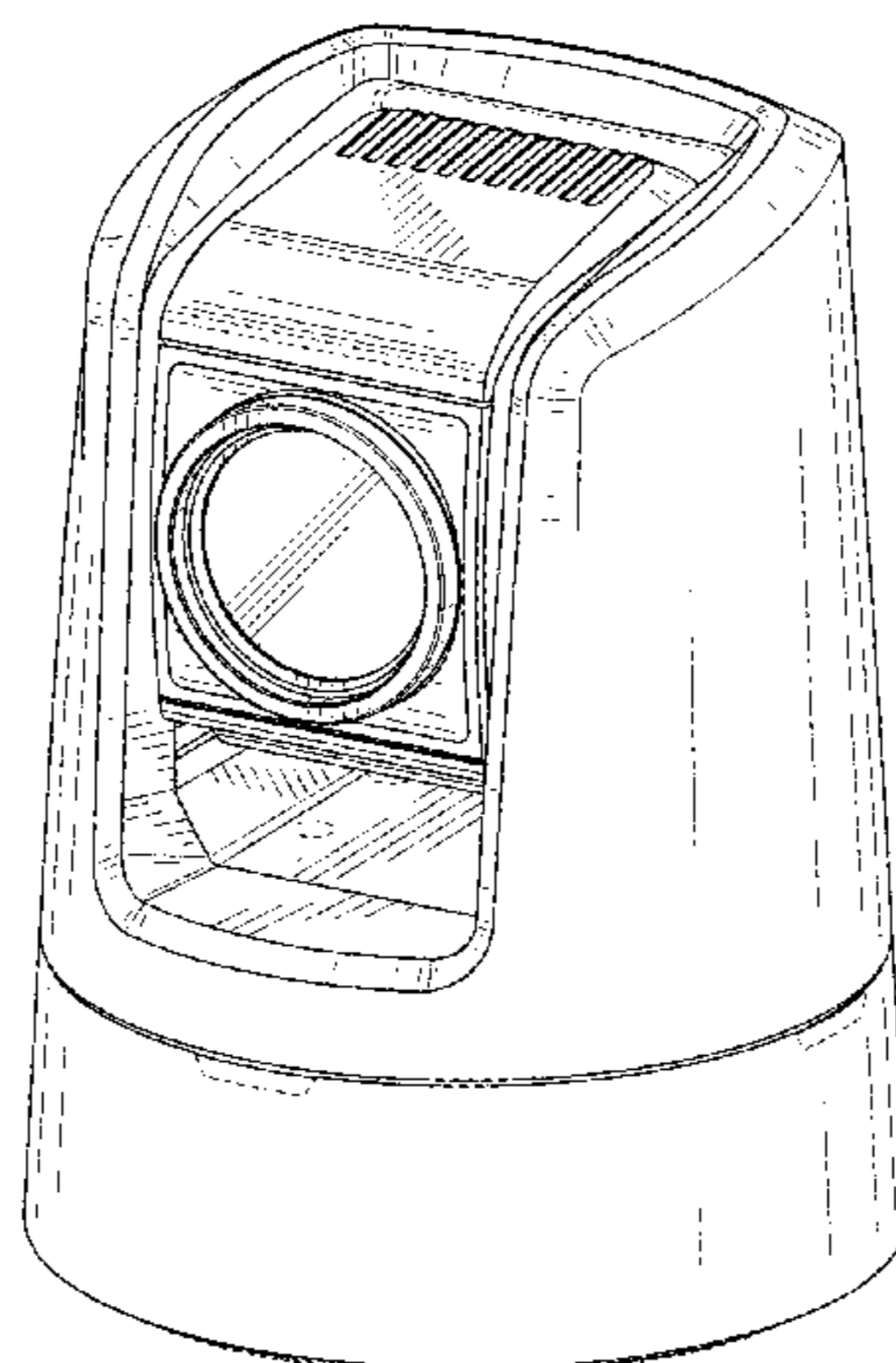
FIG. 5 is a rear elevational view thereof;

FIG. 6 is a top plan view thereof; and,

FIG. 7 is a bottom plan view thereof.

The broken lines depict portions of the monitoring camera in which the design is embodied that form no part of the claimed design.

1 Claim, 6 Drawing Sheets



(56)

References Cited

U.S. PATENT DOCUMENTS

D751,619 S * 3/2016 Jeong D16/203
2007/0201862 A1 * 8/2007 Van Schaik G08B 13/19619
396/427

* cited by examiner

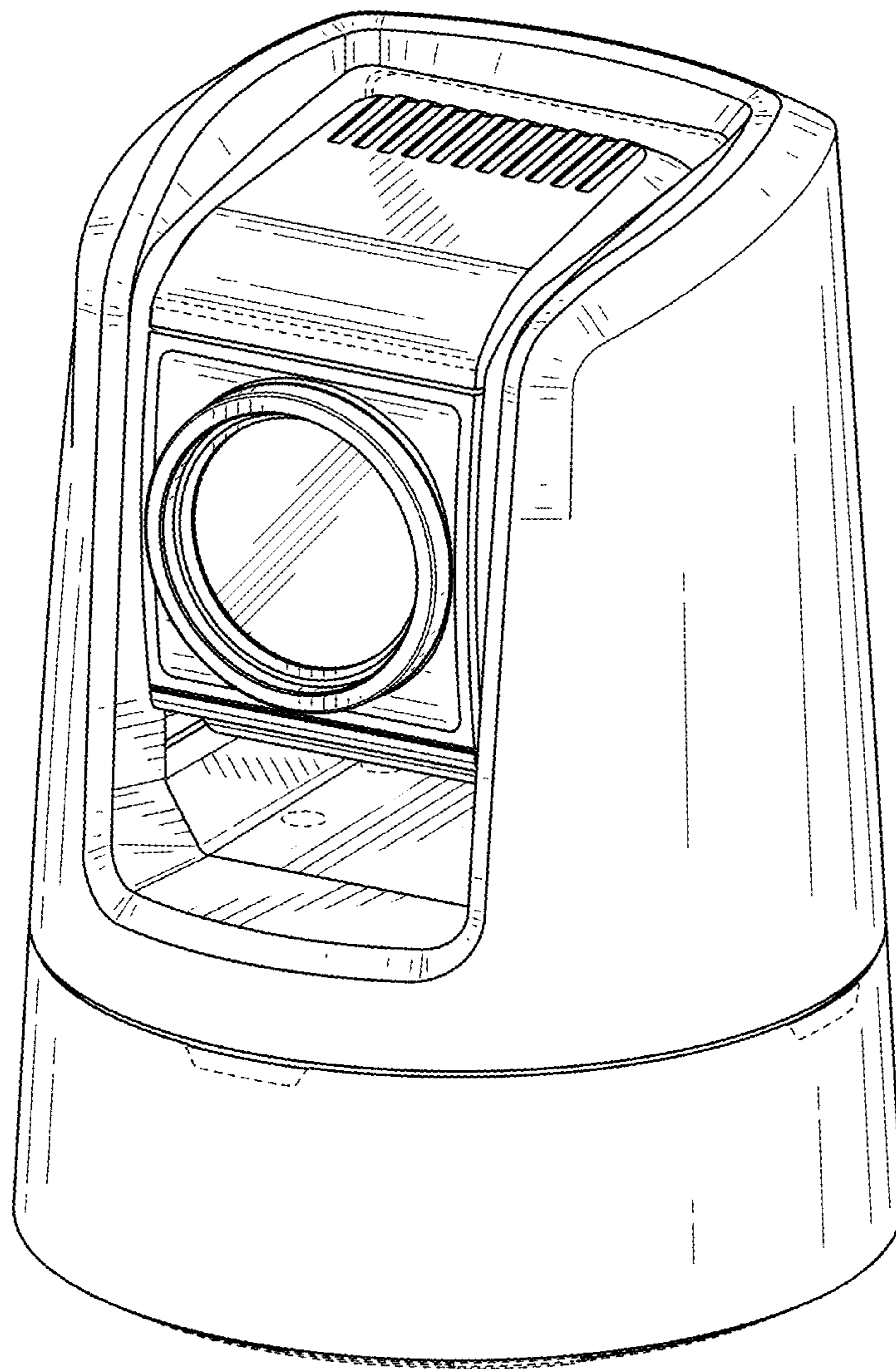


FIG. 1

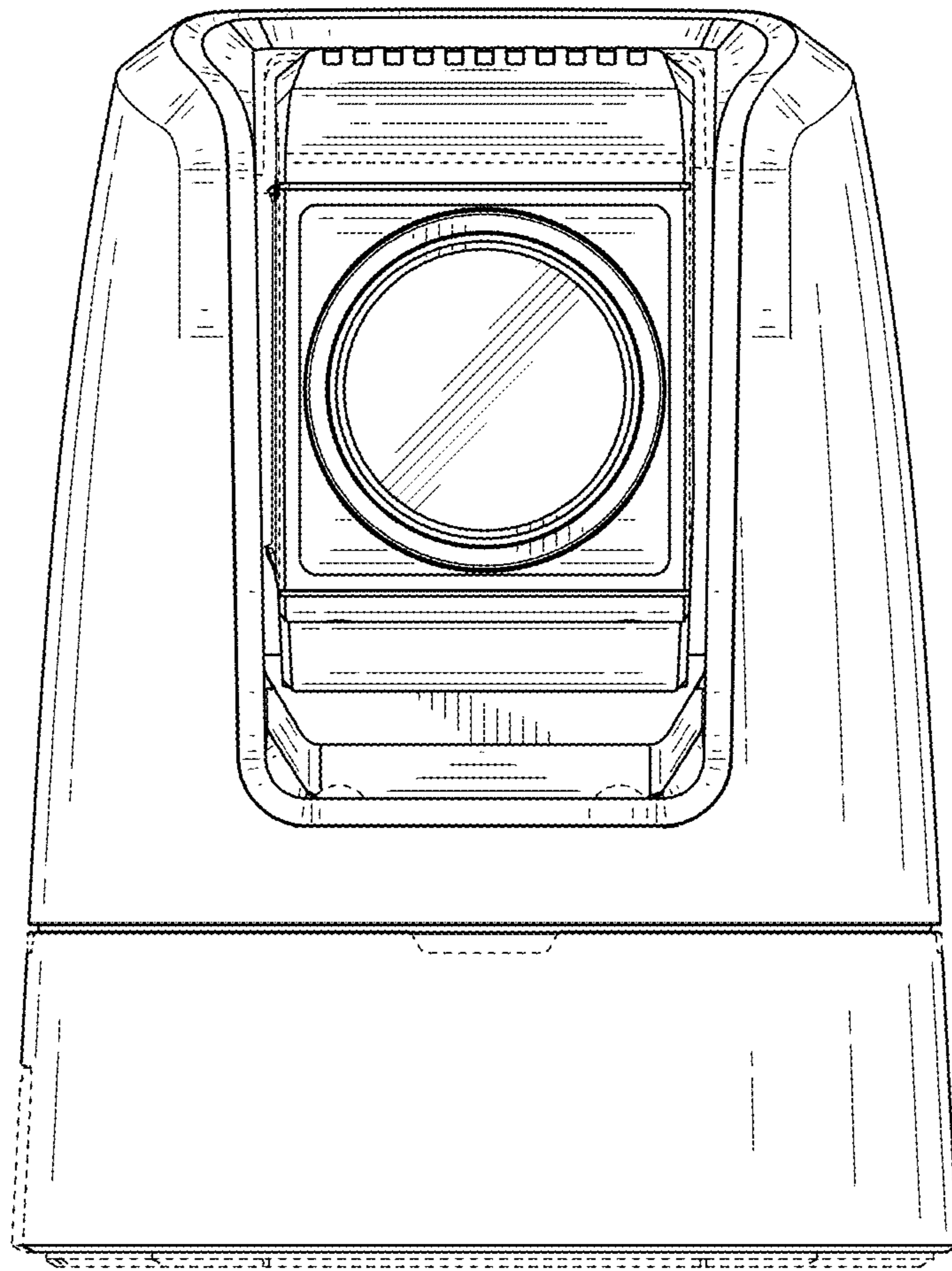


FIG. 2

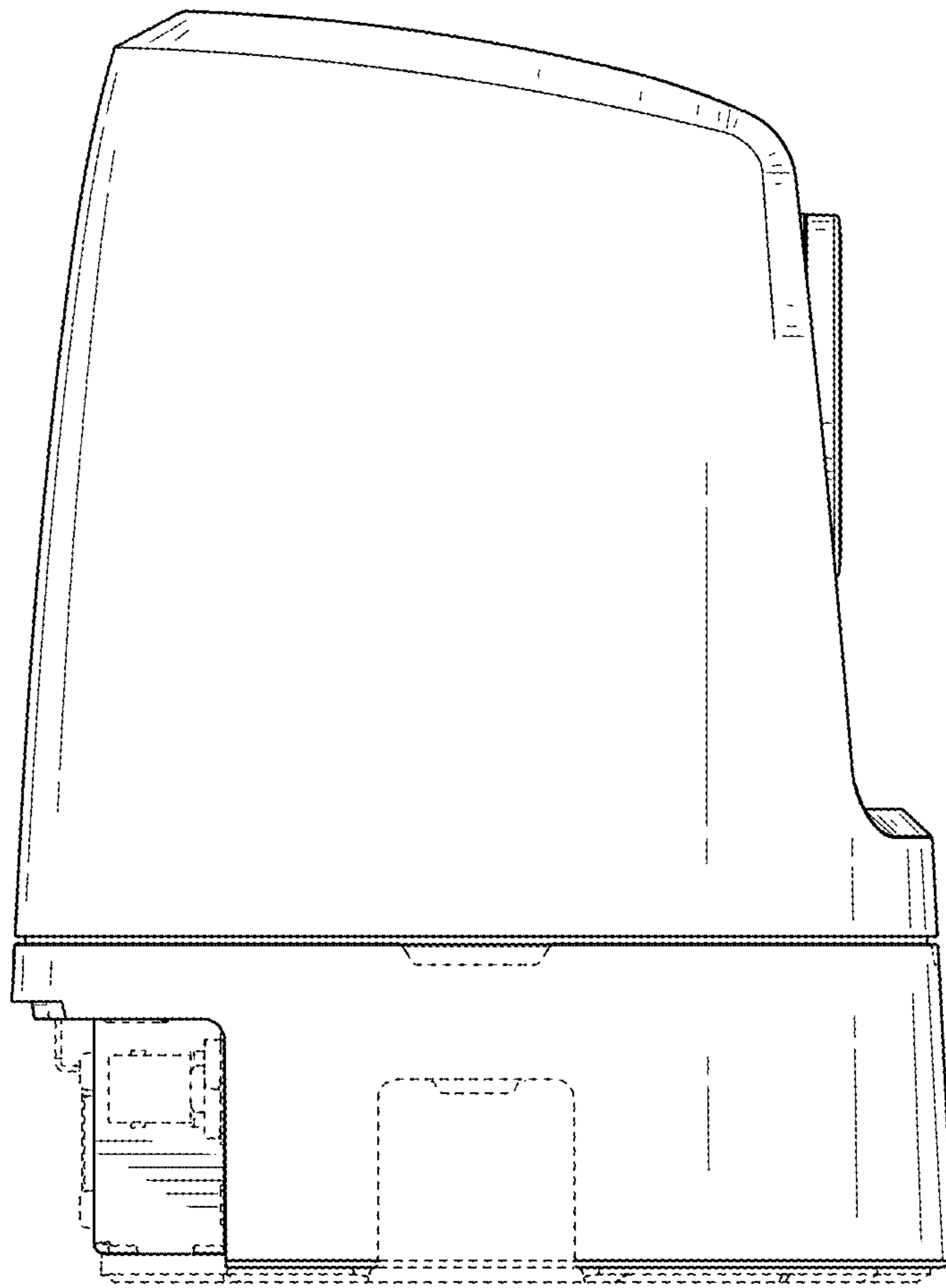


FIG. 3

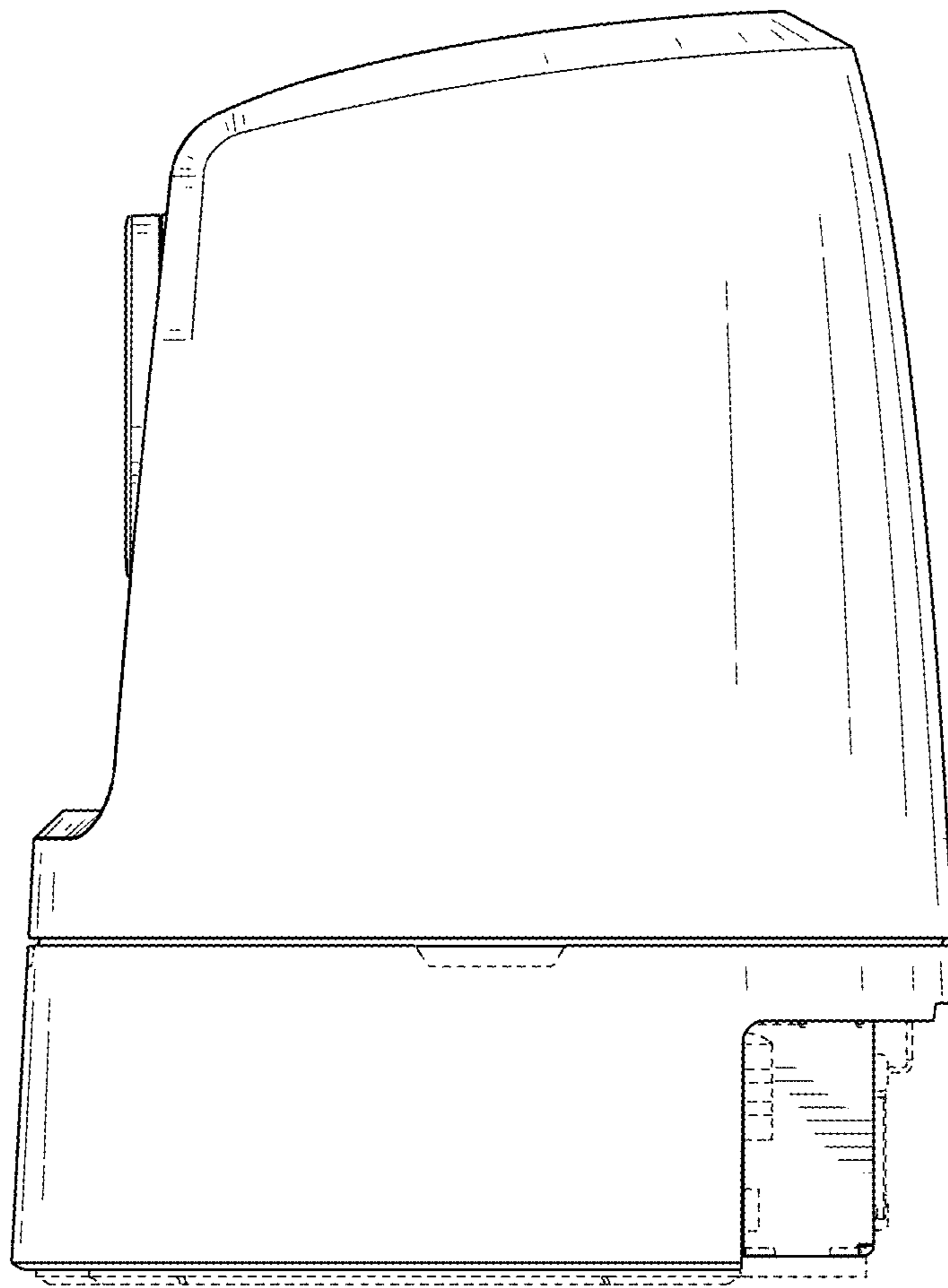


FIG. 4

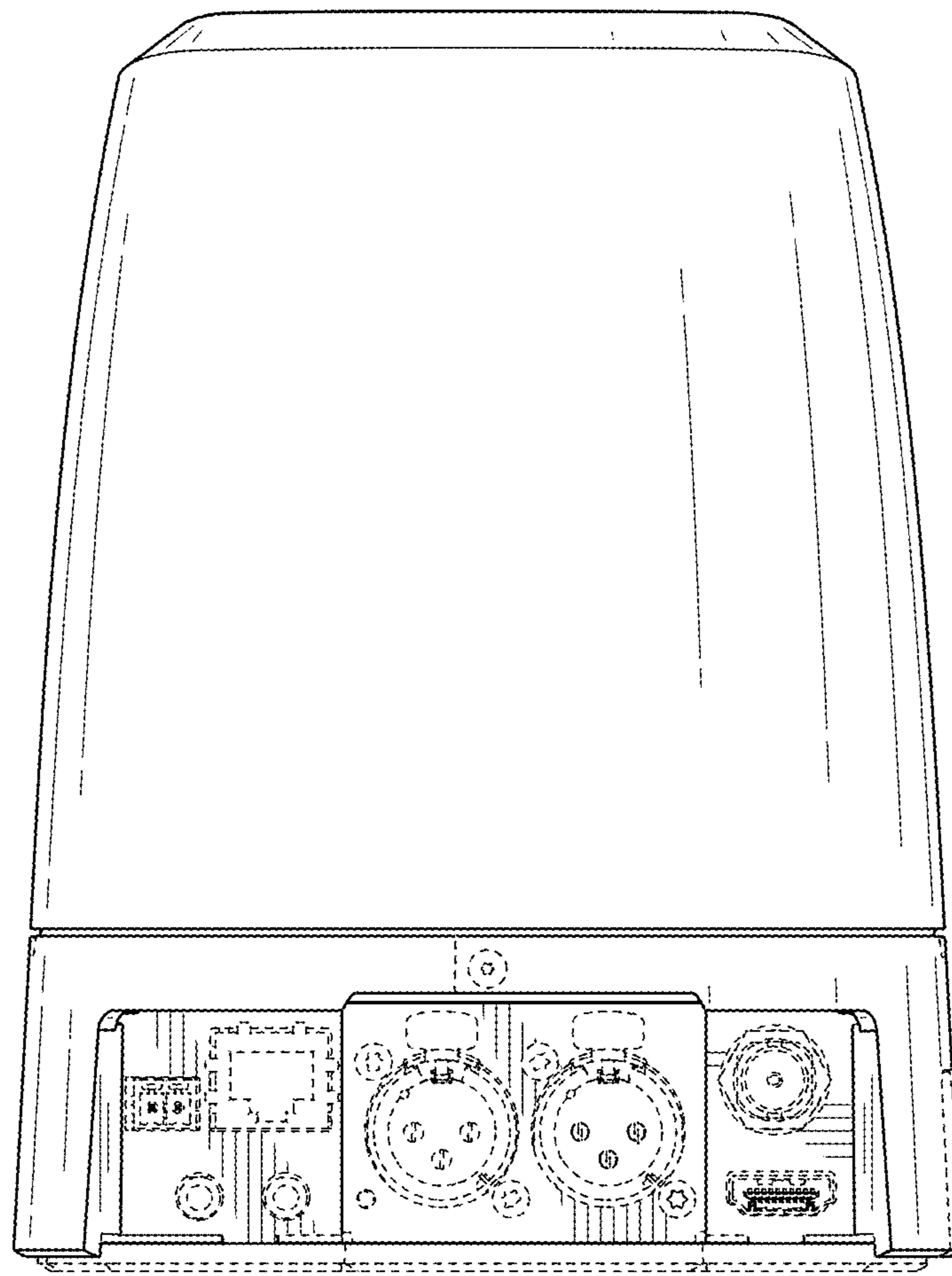


FIG. 5

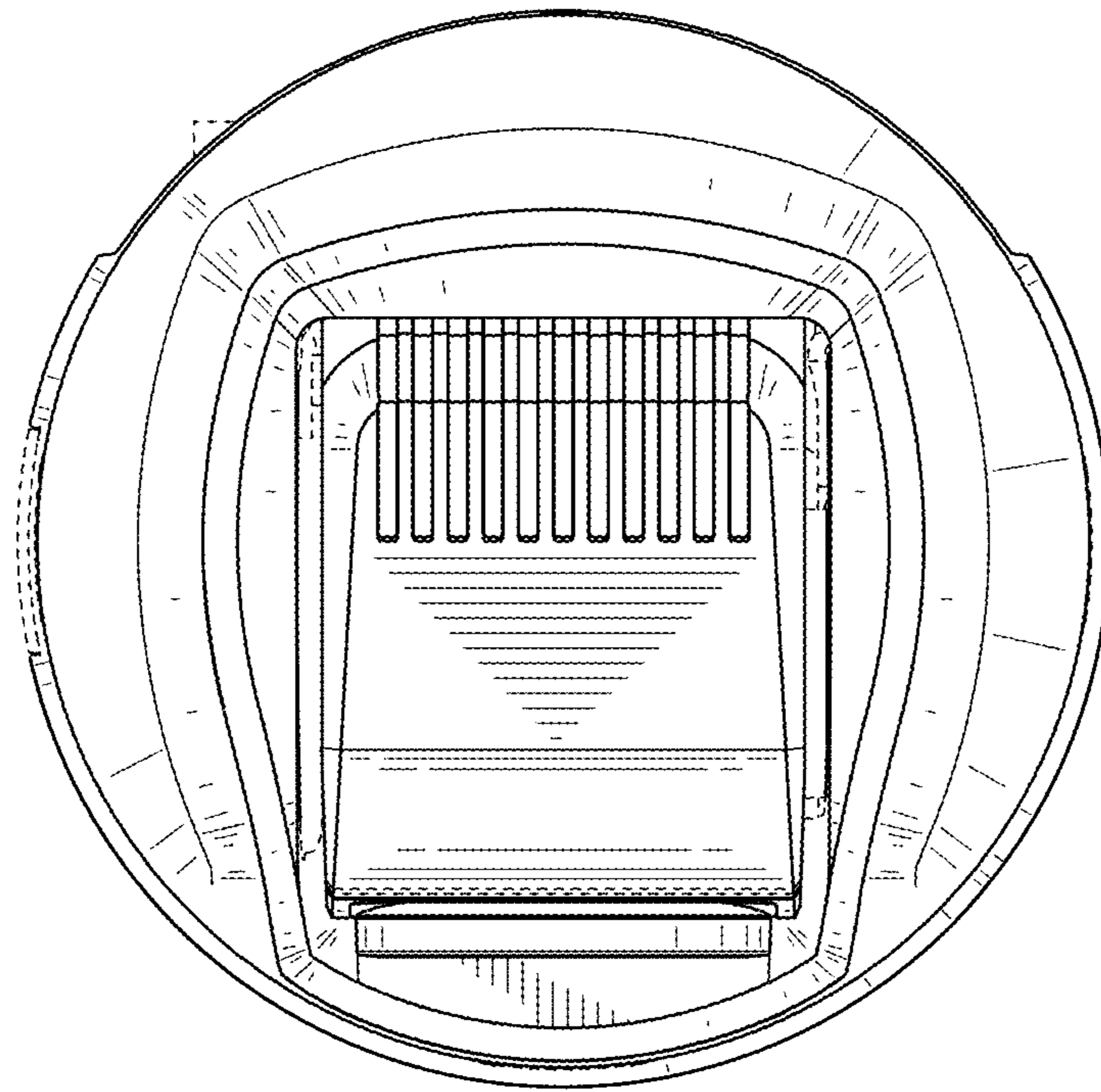


FIG. 6

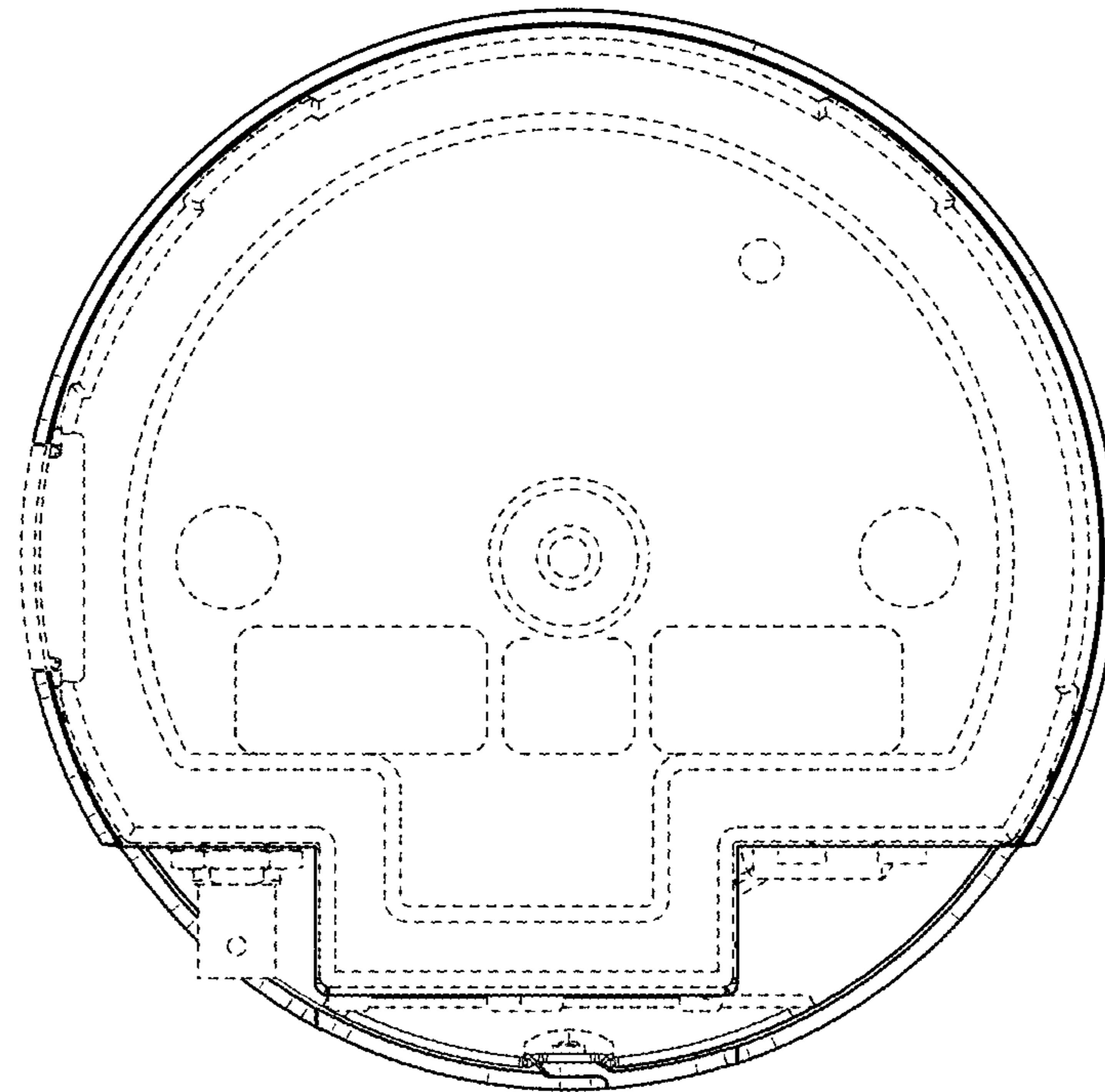


FIG. 7