



US00D809045S

(12) **United States Design Patent**  
**Jou et al.**

(10) **Patent No.: US D809,045 S**  
(45) **Date of Patent: \*\* Jan. 30, 2018**

(54) **CAMERA**

- (71) Applicant: **Comcast Cable Communications, LLC**, Philadelphia, PA (US)
- (72) Inventors: **Michael Jou**, Philadelphia, PA (US);  
**Neil Epstein**, Havertown, PA (US);  
**Fraser Stirling**, Bryn Mawr, PA (US);  
**Thomas Loretan**, Philadelphia, PA (US)
- (73) Assignee: **Comcast Cable Communications, LLC**, Philadelphia, PA (US)
- (\*\*) Term: **15 Years**
- (21) Appl. No.: **29/566,214**
- (22) Filed: **May 27, 2016**
- (51) **LOC (11) Cl.** ..... **16-01**
- (52) **U.S. Cl.**  
USPC ..... **D16/202**
- (58) **Field of Classification Search**  
USPC ..... D14/124, 125, 126, 129, 133, 314, 317,  
D14/336, 348-351, 356, 420; D16/200,  
D16/201, 202, 203, 205-221, 225, 232,  
D16/235  
CPC ..... G03B 15/03; G03B 19/04; H04N  
5/2251-5/2254  
See application file for complete search history.

(56) **References Cited**

**U.S. PATENT DOCUMENTS**

D372,927 S *	8/1996	Elmore	.....	D16/220
D432,151 S *	10/2000	Kawashima	.....	D16/202
D438,223 S *	2/2001	Kawashima	.....	D16/202
D450,738 S *	11/2001	Rak	.....	D16/203
D458,621 S *	6/2002	Kawashima	.....	D16/202
D476,345 S *	6/2003	Phelps	.....	D16/202
D484,160 S *	12/2003	Kangasmaa	.....	D16/202

(Continued)

**OTHER PUBLICATIONS**

A look at the X-Finity Comcast "Home of the Future", posted at Wirelesswednesday.com, posting date Jul. 7, 2016, [online], [site visited Jun. 13, 2017]. Available from Internet, <URL: http://www.wirelesswednesday.live/singlepost/2016/07/07/Alookat-theXfinityComcastHomeoftheFuture>.\*

*Primary Examiner* — Susan E Krakower  
*Assistant Examiner* — L. A. Grabenstetter  
(74) *Attorney, Agent, or Firm* — Baker & Hostetler LLP

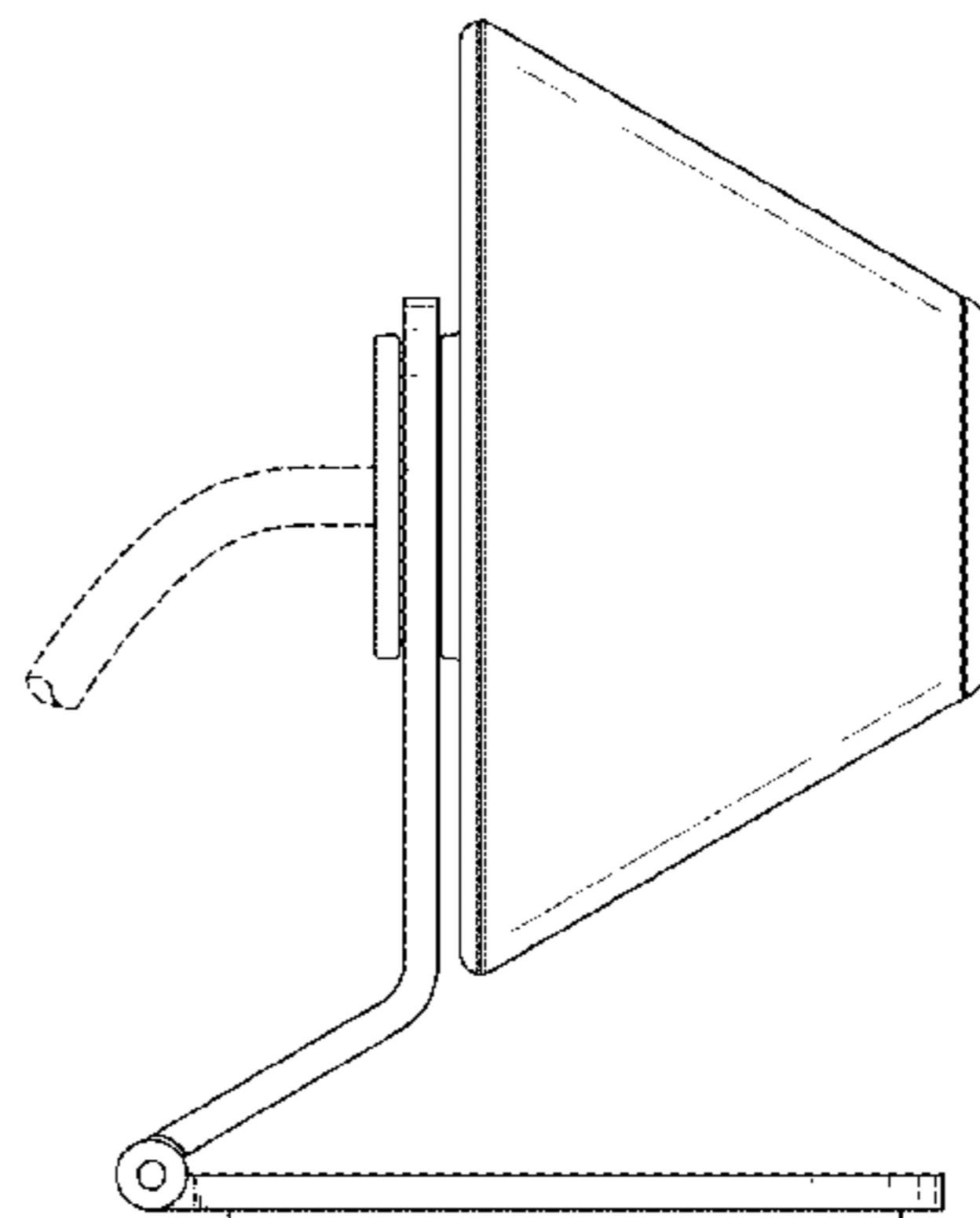
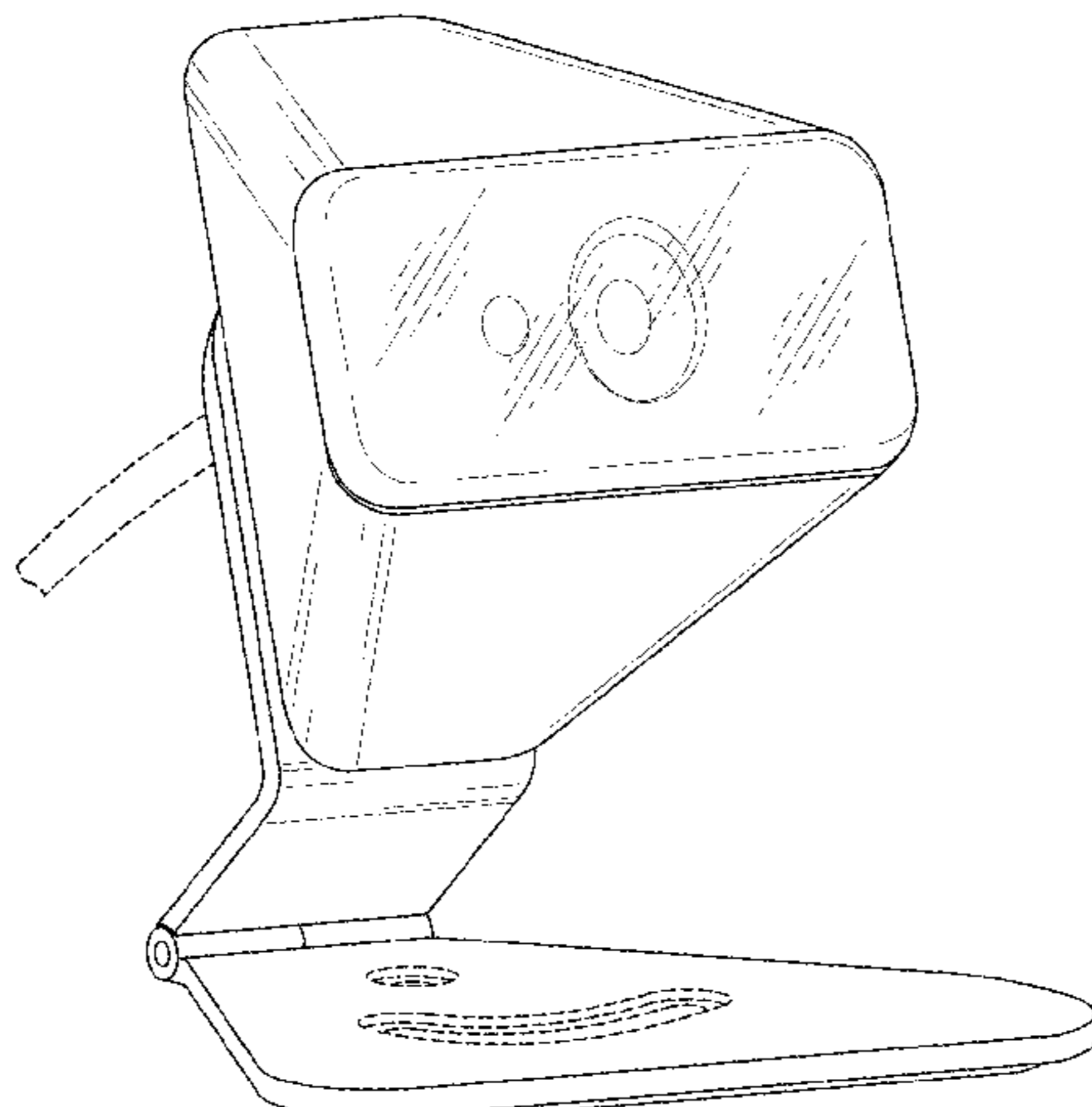
(57) **CLAIM**

The ornamental design for a camera, as shown and described.

**DESCRIPTION**

FIG. 1 is a perspective view of the first embodiment of a camera according to the present design;  
 FIG. 2 is a front view of the camera of FIG. 1;  
 FIG. 3 is a rear view of the camera of FIG. 1;  
 FIG. 4 is a top view of the camera of FIG. 1;  
 FIG. 5 is a bottom view of the camera of FIG. 1;  
 FIG. 6 is a left side view of the camera of FIG. 1; and  
 FIG. 7 is a right side view of the camera of FIG. 1.  
 FIG. 8 is a perspective view of the second embodiment of a camera according to the present design;  
 FIG. 9 is a front view of the camera of FIG. 8;  
 FIG. 10 is a rear view of the camera of FIG. 8;  
 FIG. 11 is a top view of the camera of FIG. 8;  
 FIG. 12 is a bottom view of the camera of FIG. 8;  
 FIG. 13 is a left side view of the camera of FIG. 8; and  
 FIG. 14 is a right side view of the camera of FIG. 8.  
 FIG. 15 is a perspective view of the third embodiment of a camera according to the present design;  
 FIG. 16 is a front view of the camera of FIG. 15;  
 FIG. 17 is a rear view of the camera of FIG. 15;  
 FIG. 18 is a top view of the camera of FIG. 15;  
 FIG. 19 is a bottom view of the camera of FIG. 15;  
 FIG. 20 is a left side view of the camera of FIG. 15; and,  
 FIG. 21 is a right side view of the camera of FIG. 15.  
 The broken lines depict unclaimed portions of the camera.

**1 Claim, 12 Drawing Sheets**



(56)

**References Cited**

U.S. PATENT DOCUMENTS

D491,592	S	*	6/2004	Fang	.....	D16/202
D550,266	S	*	9/2007	Lau	.....	D16/202
D624,108	S	*	9/2010	Wang	.....	D16/219
D632,718	S	*	2/2011	Tzeng	.....	D16/202
D647,935	S	*	11/2011	Raken	.....	D16/202
D659,733	S	*	5/2012	Chen	.....	D16/202
D660,338	S	*	5/2012	Chen	.....	D16/202
D680,569	S	*	4/2013	Lee	.....	D16/202
8,593,567	B2	*	11/2013	Xiao	.....	H04N 5/2251 348/373
D705,337	S	*	5/2014	Tani	.....	D16/219
D721,754	S	*	1/2015	Chen	.....	D16/202
D725,171	S	*	3/2015	Mita	.....	D16/202
D730,421	S	*	5/2015	Huang	.....	D16/202
D732,594	S	*	6/2015	Kawa	.....	D16/202
D733,781	S	*	7/2015	Chen	.....	D16/202
D741,932	S	*	10/2015	Huang	.....	D16/202
D749,162	S	*	2/2016	Roth	.....	D16/218

\* cited by examiner

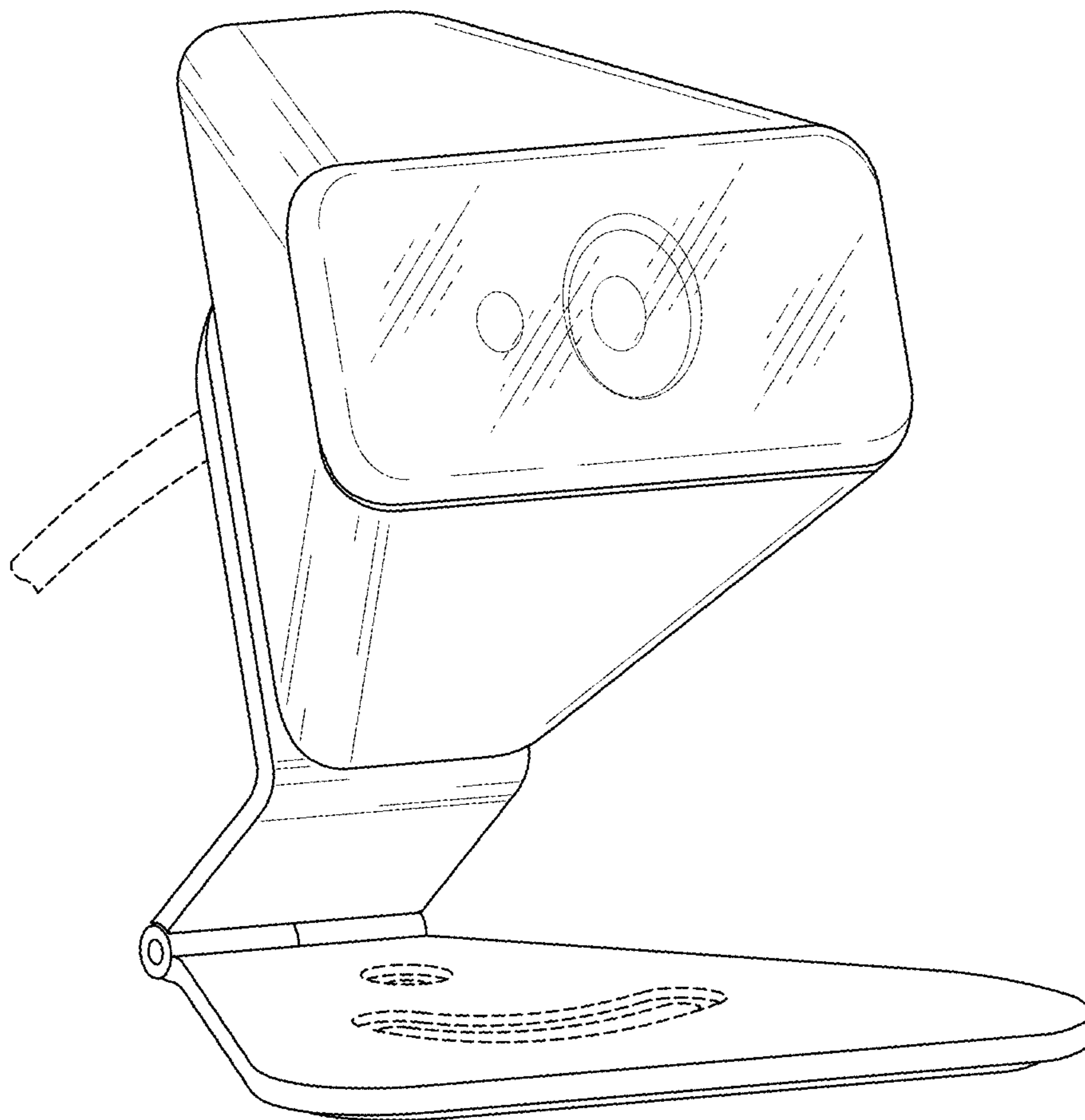


FIG. 1

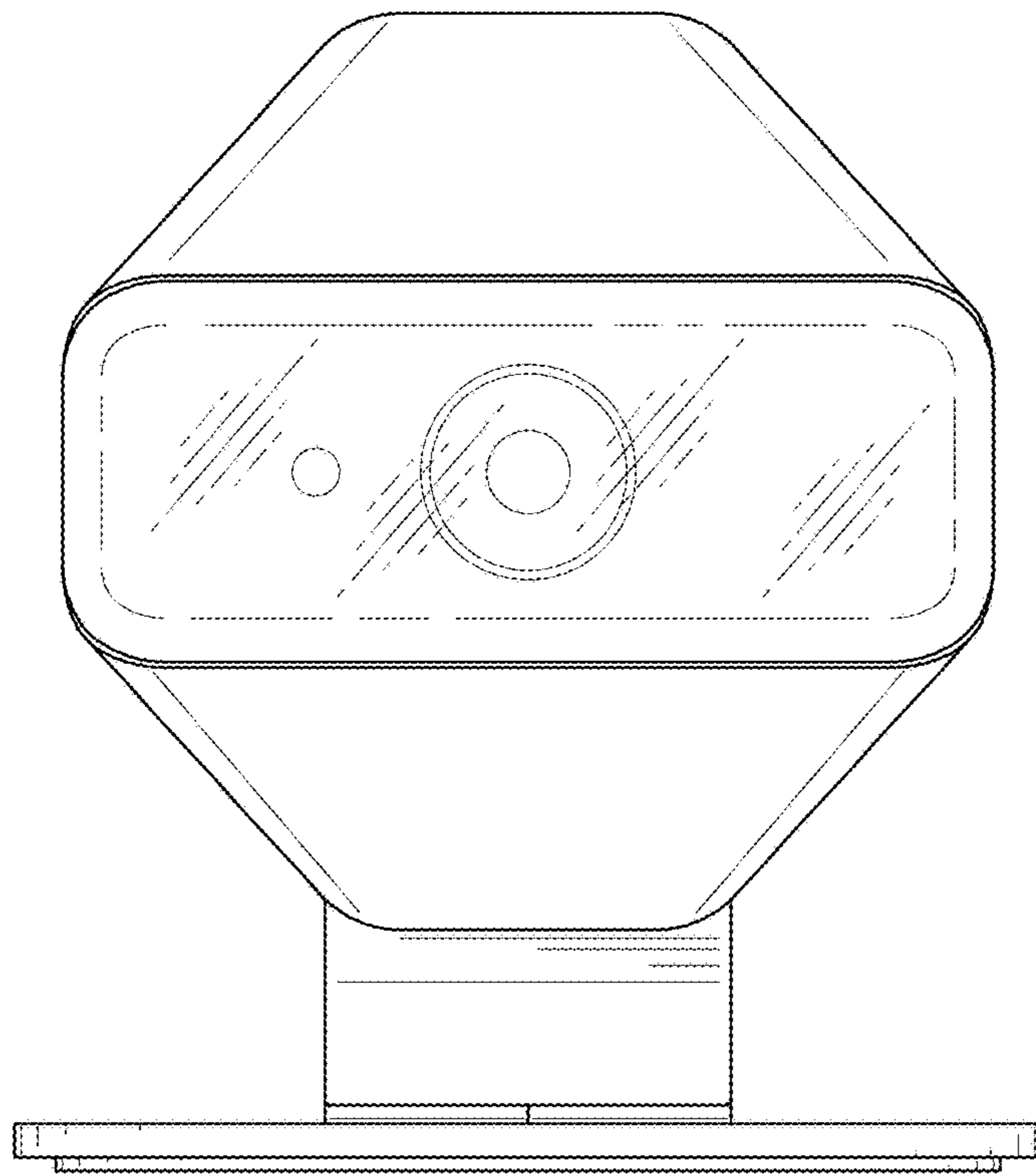


FIG. 2

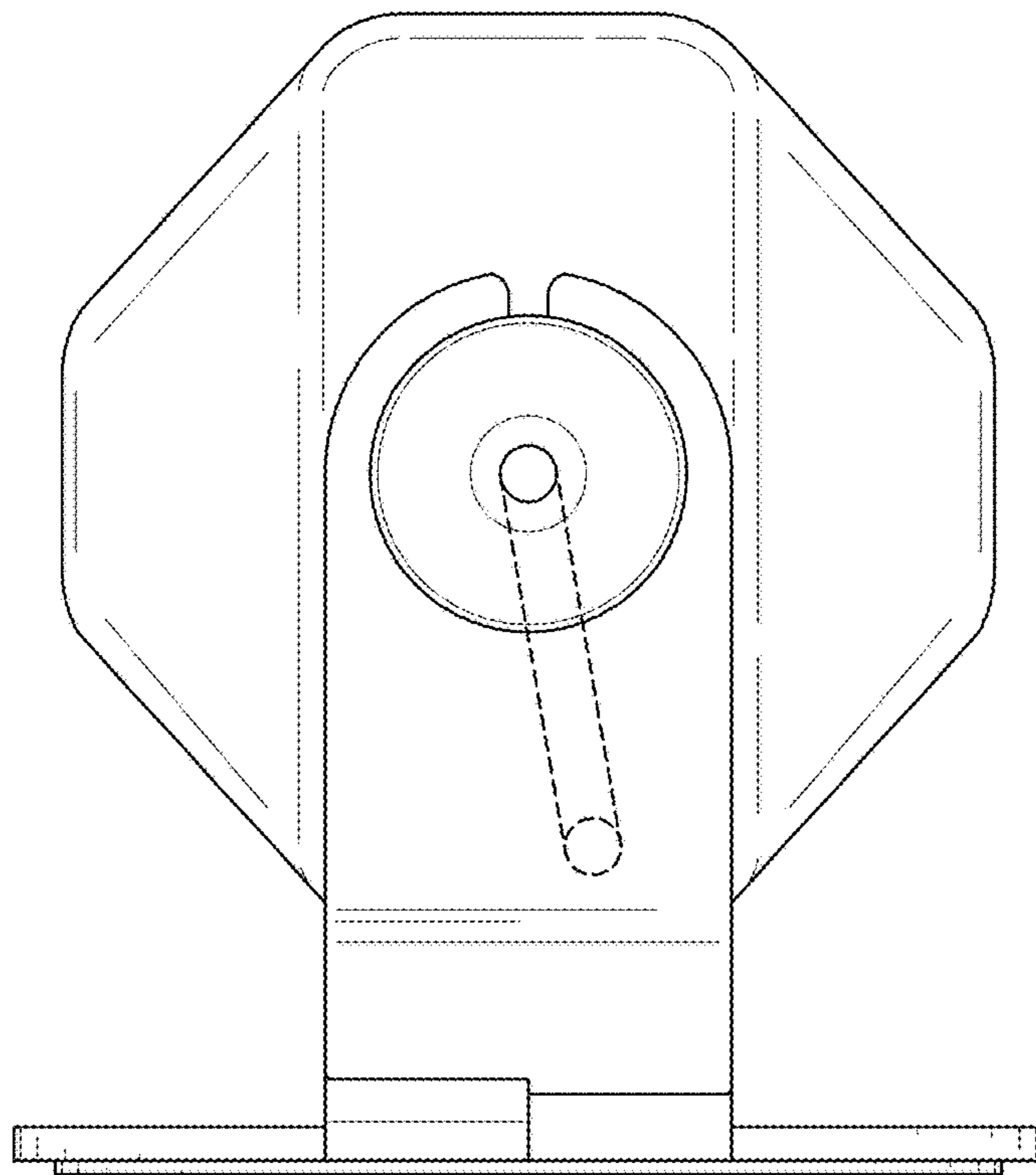


FIG. 3

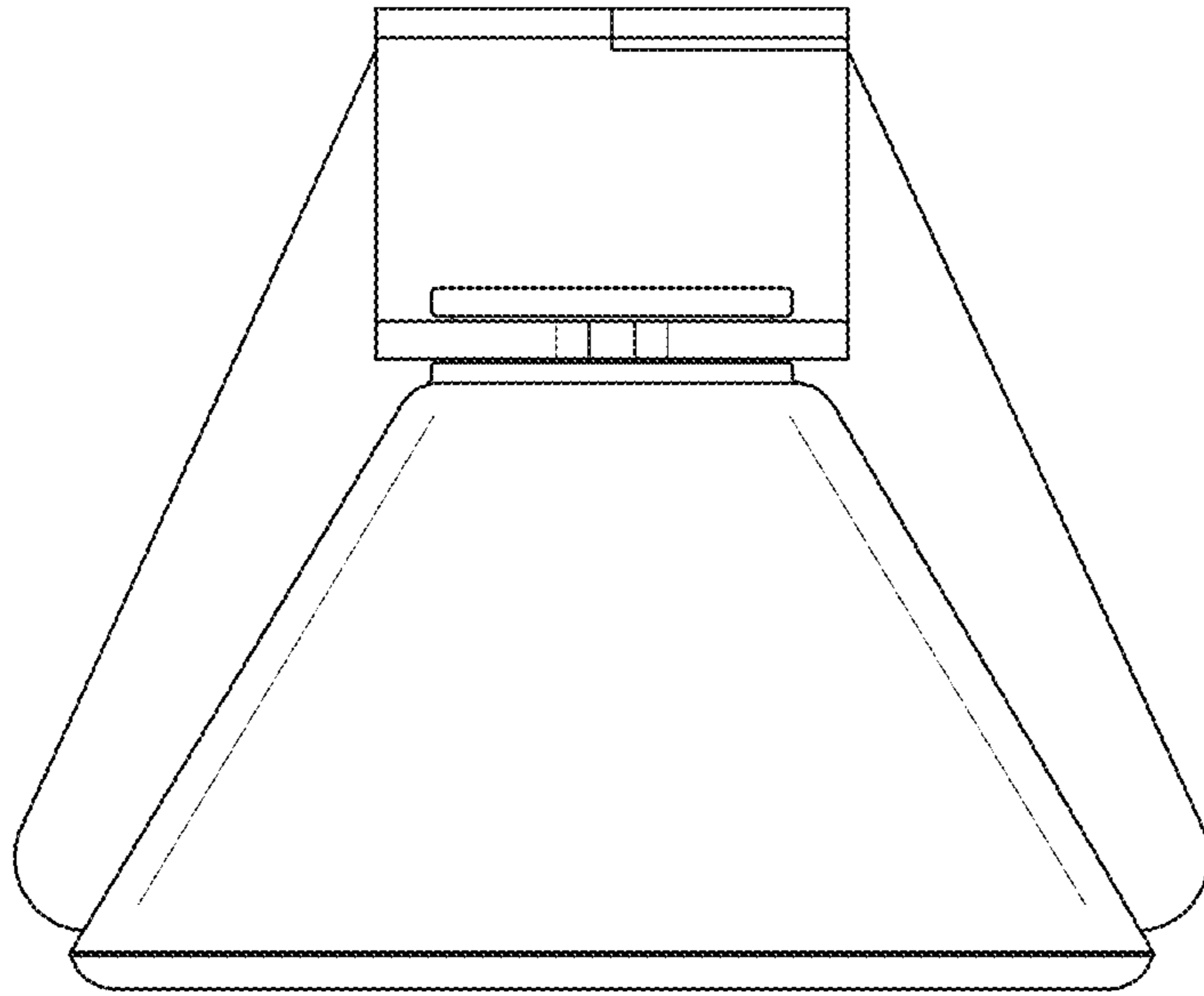


FIG. 4

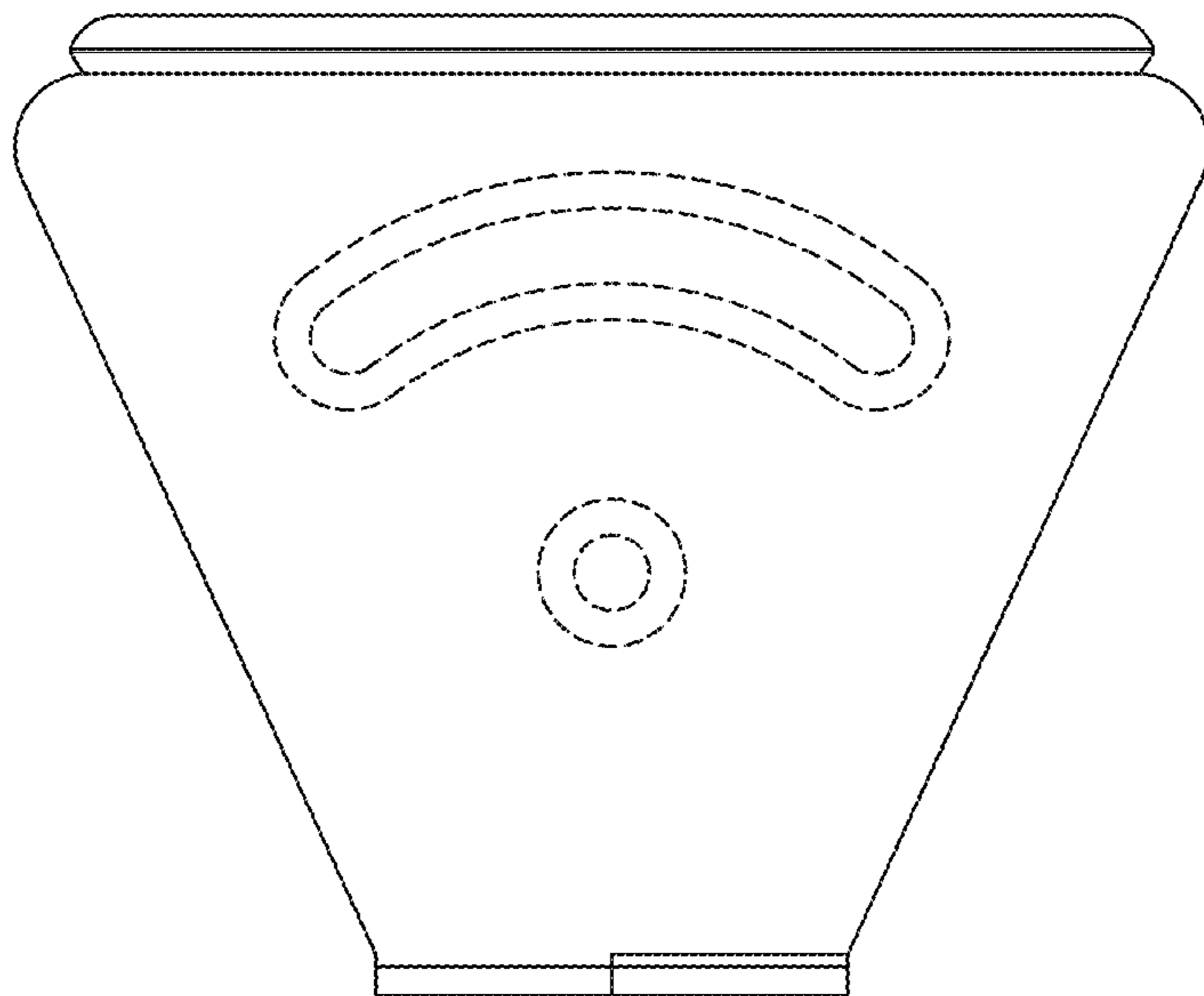


FIG. 5



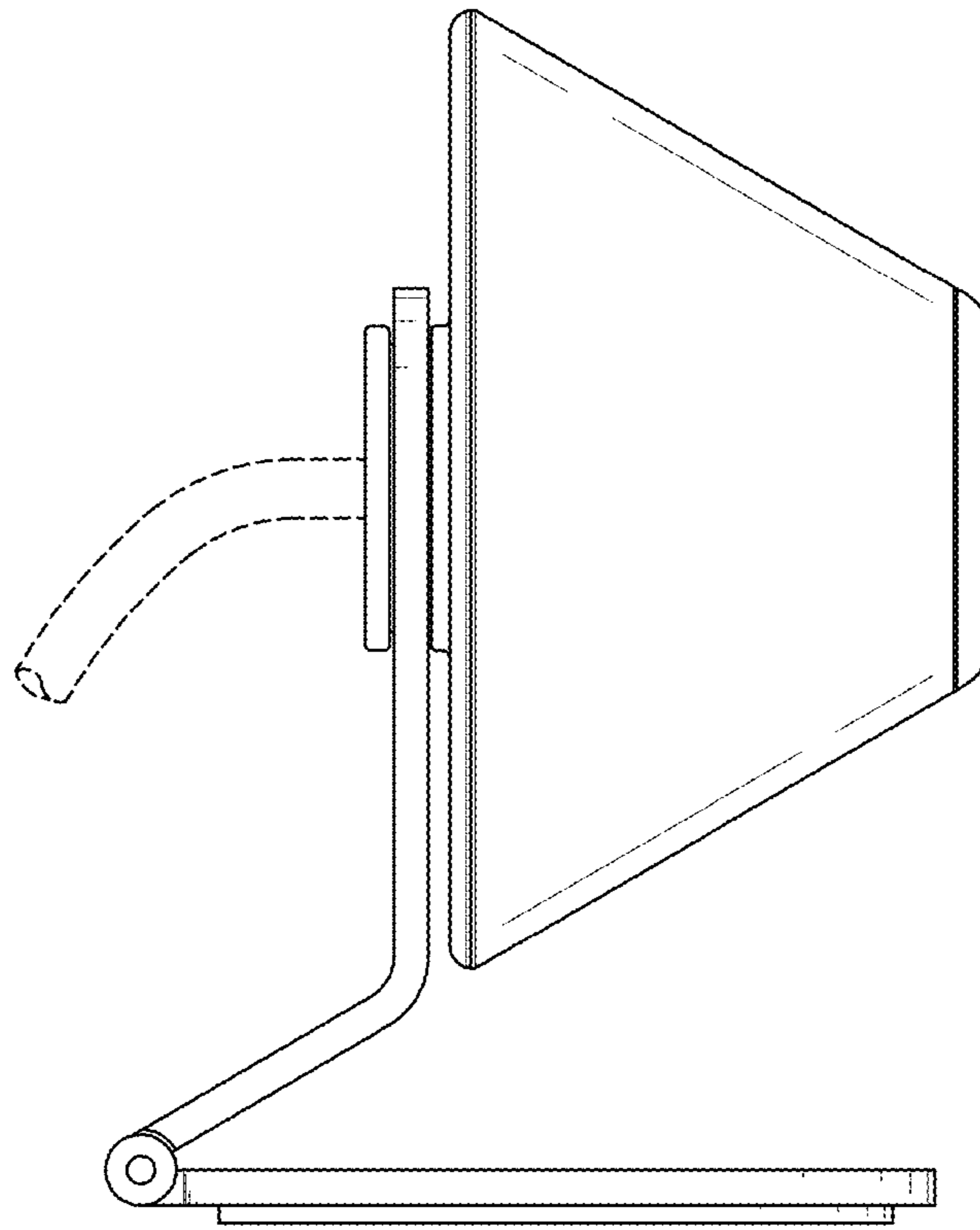


FIG. 6

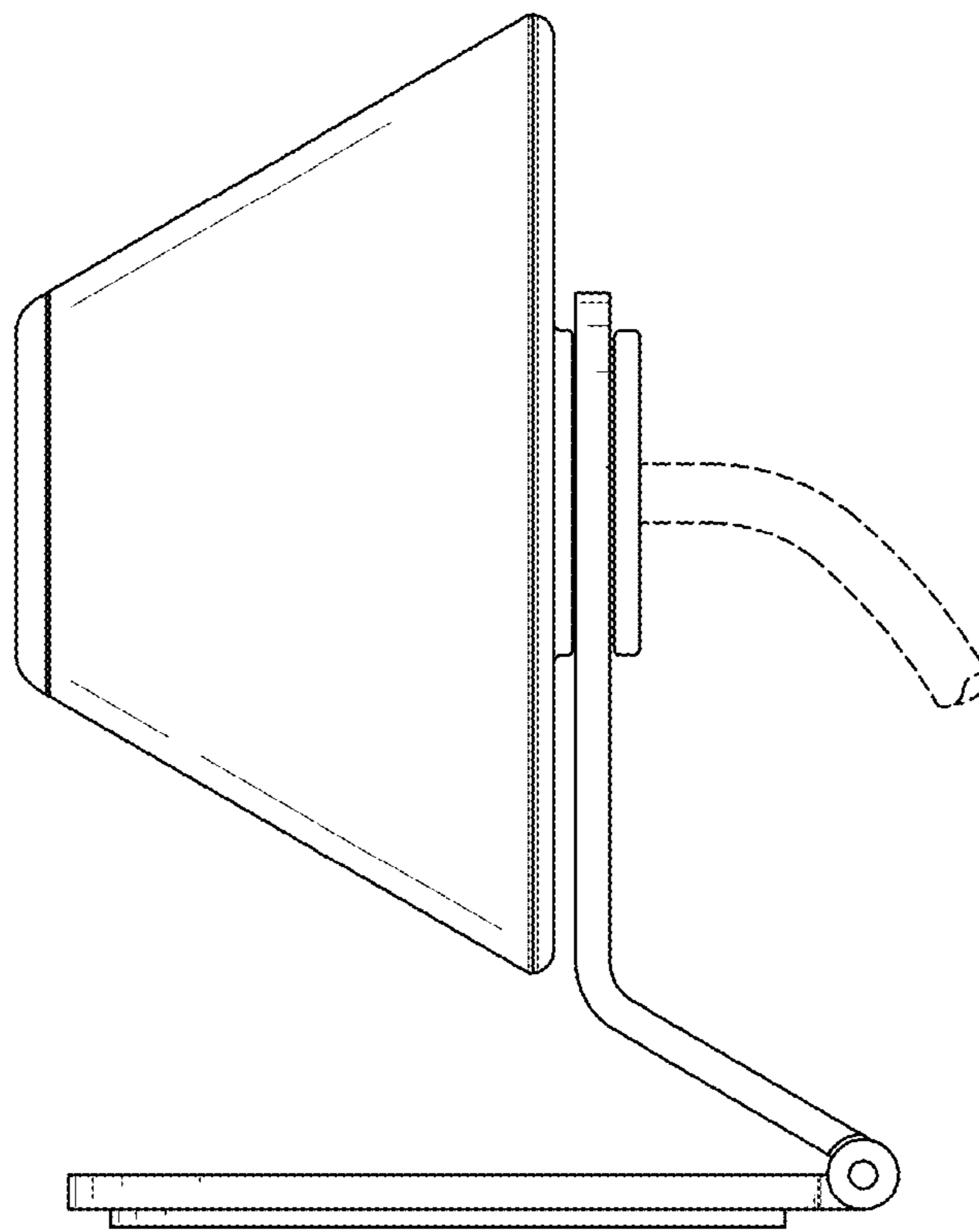


FIG. 7

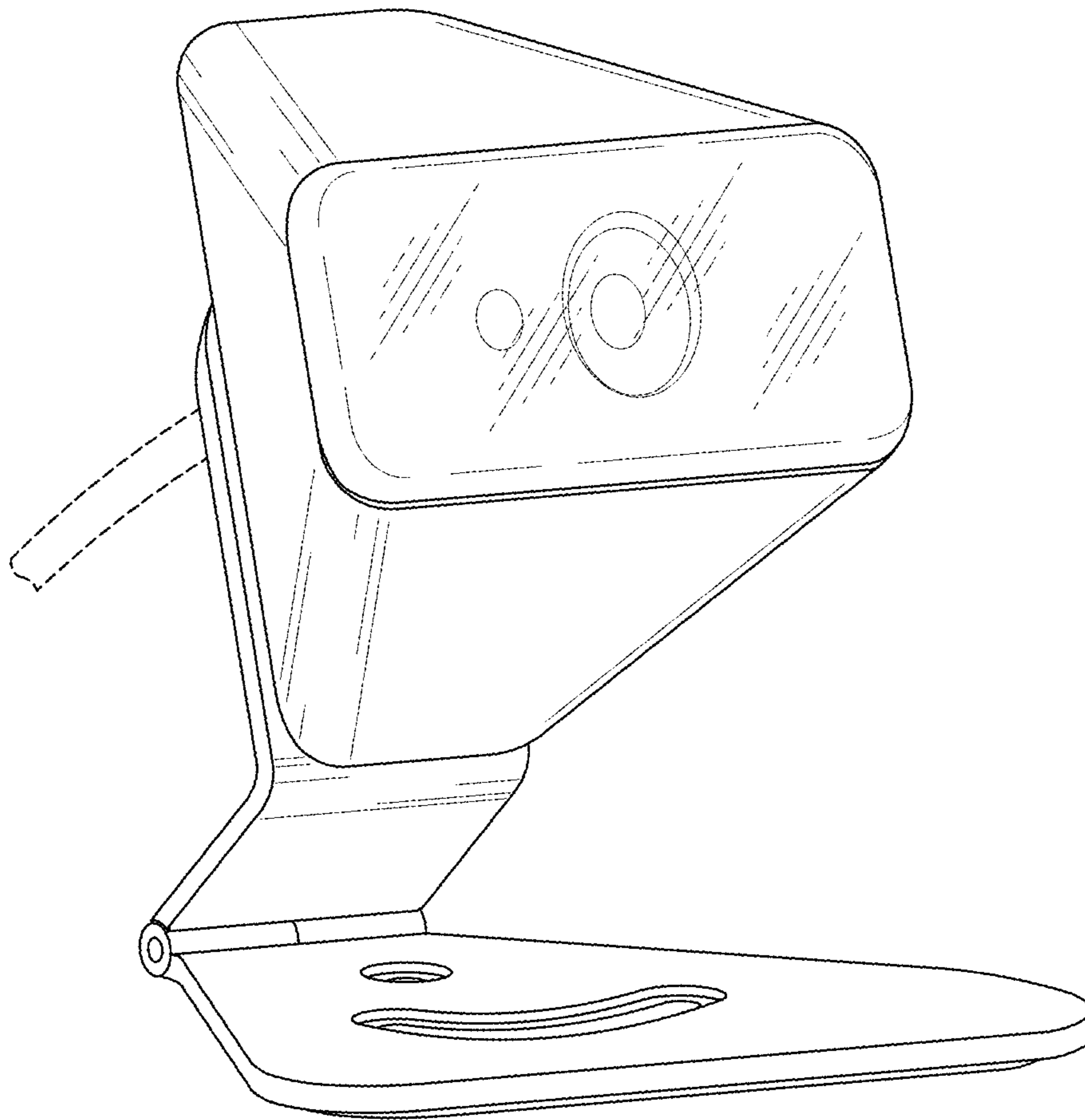


FIG. 8

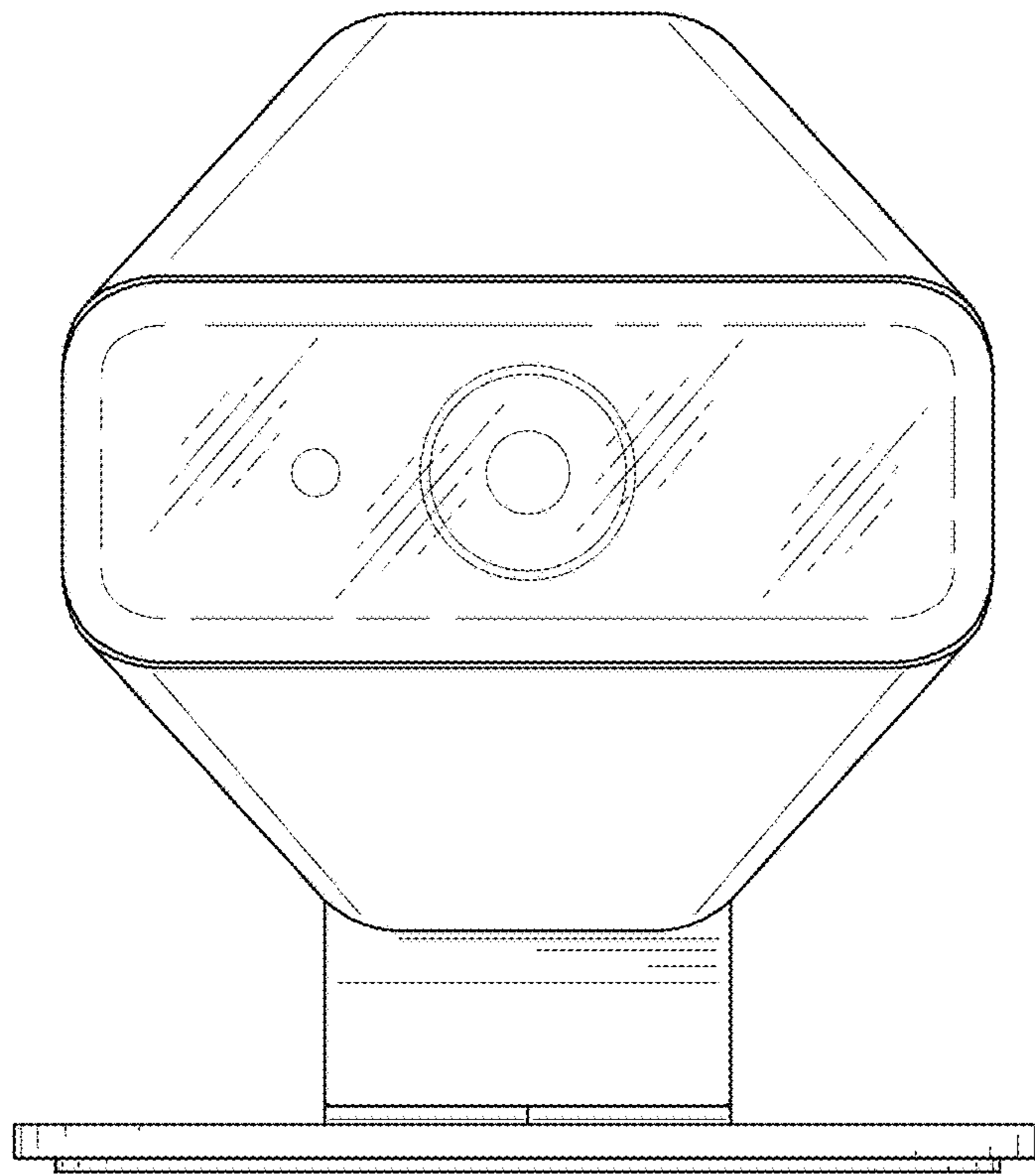


FIG. 9

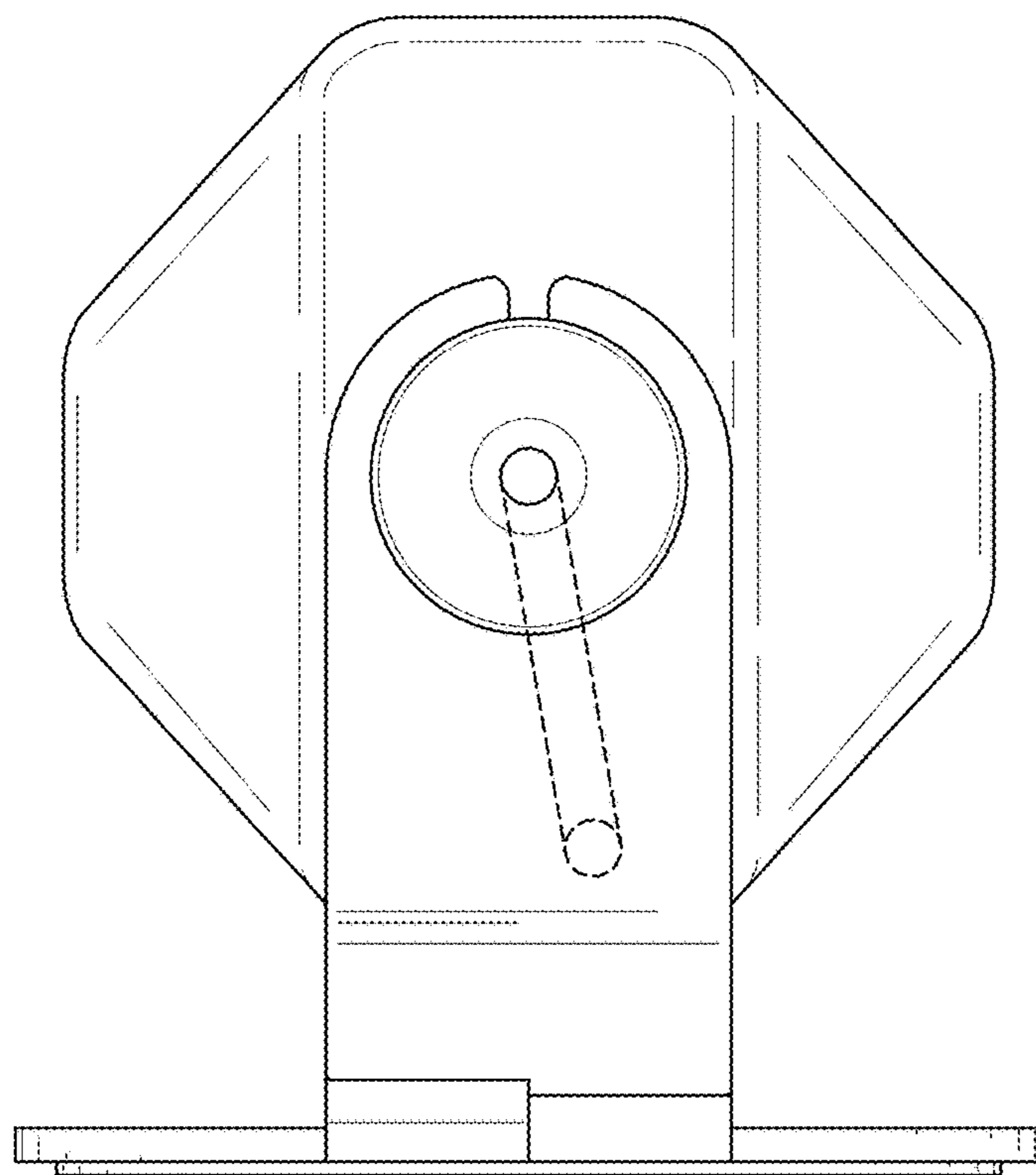


FIG. 10



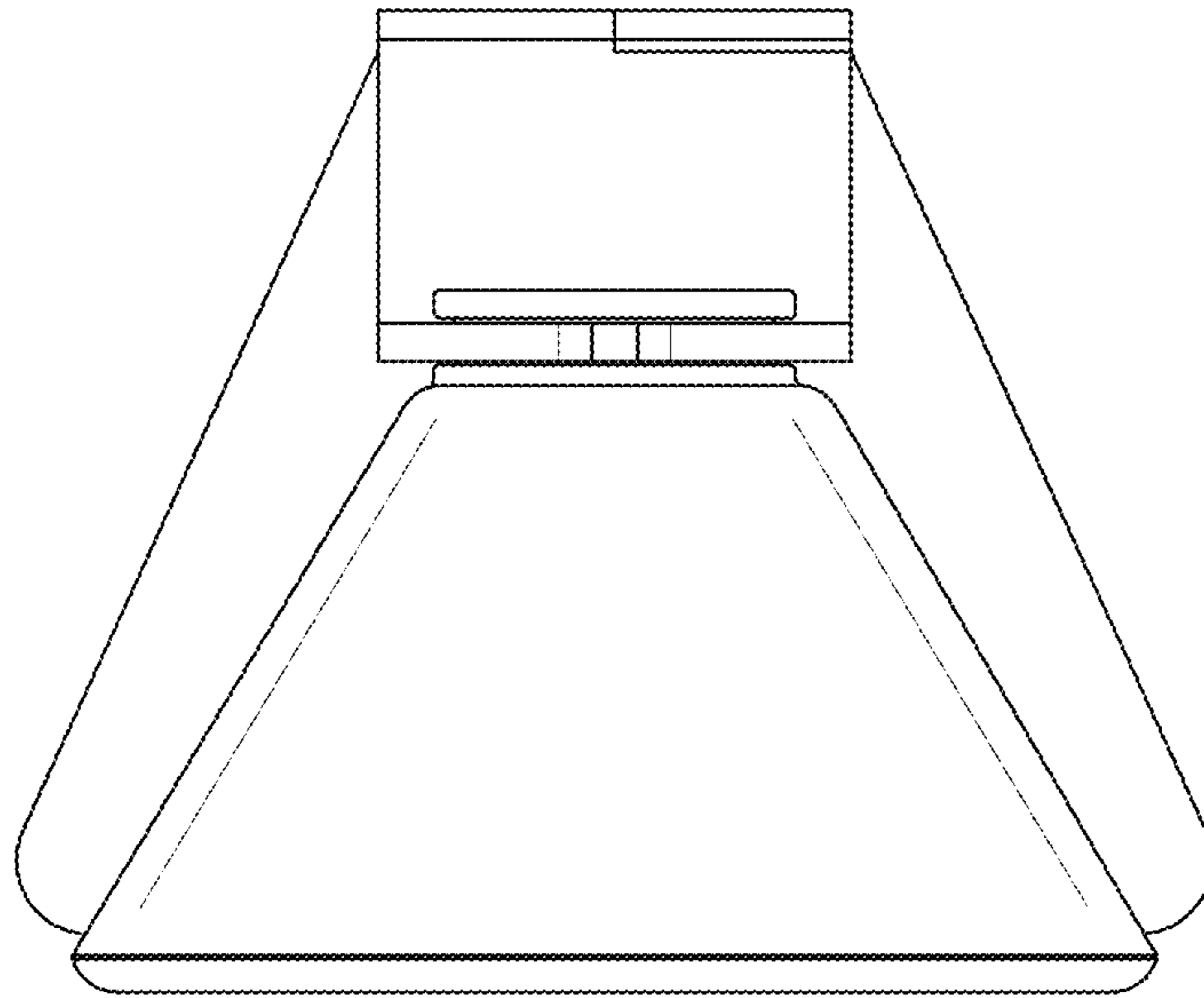


FIG. 11

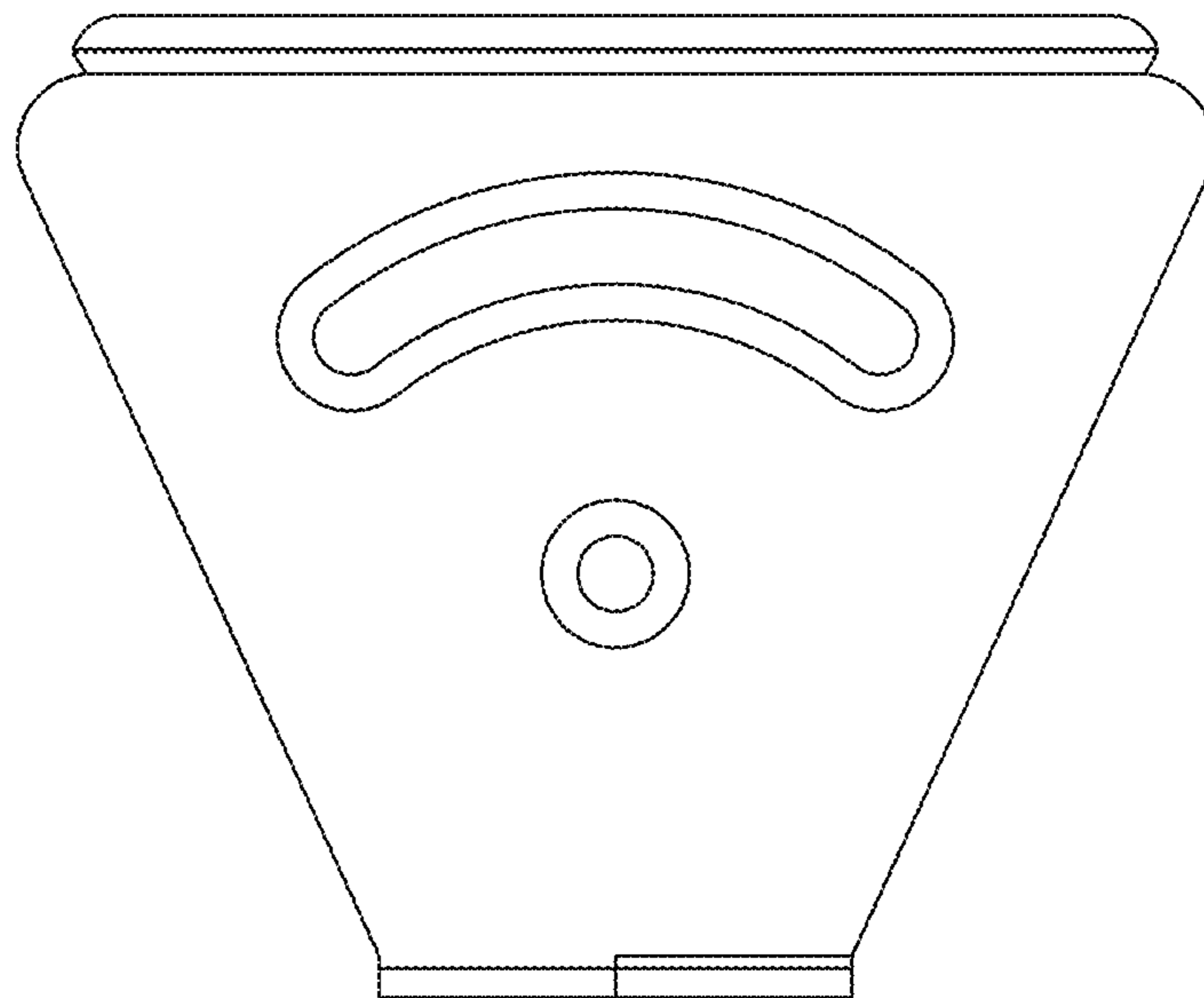


FIG. 12

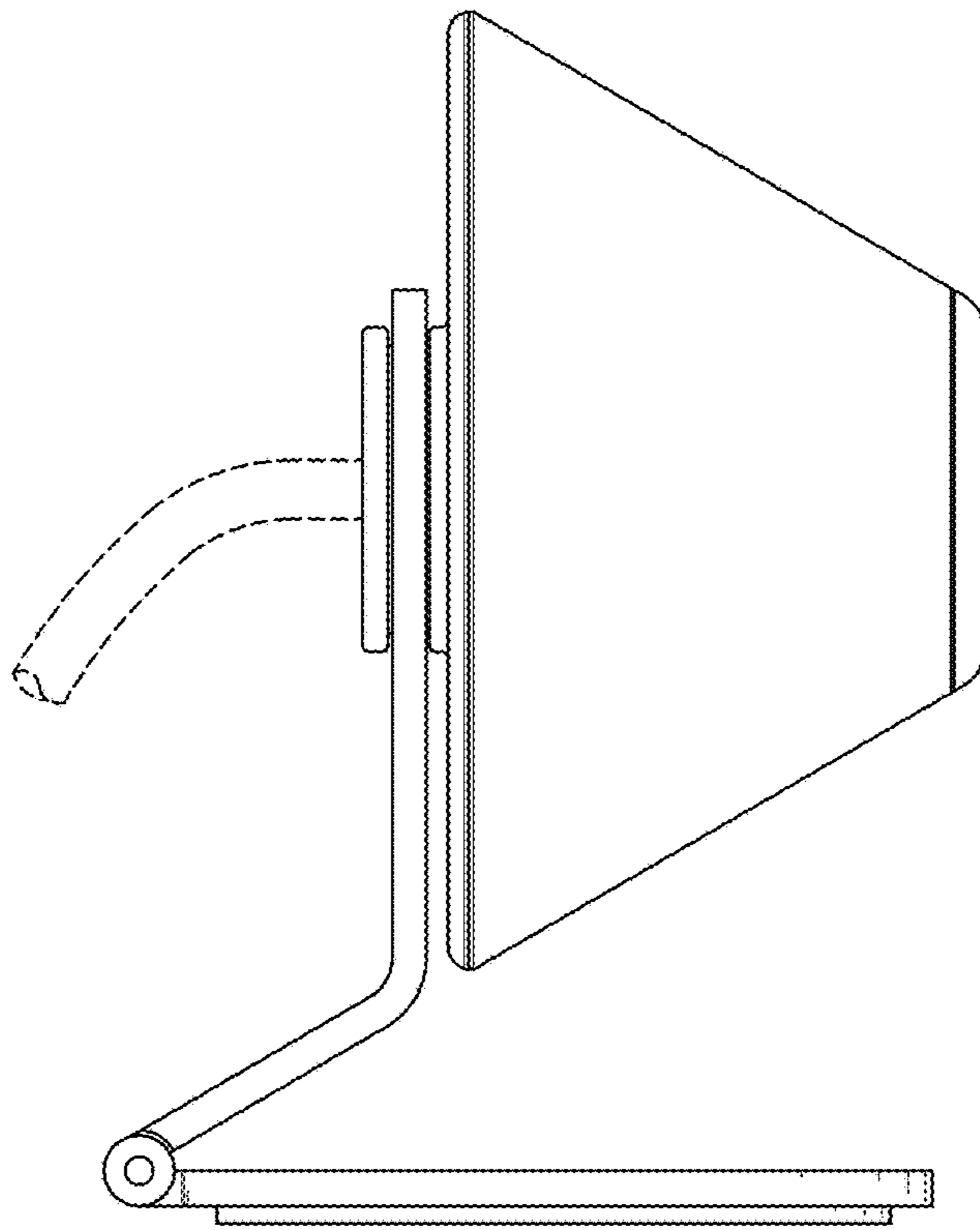


FIG. 13

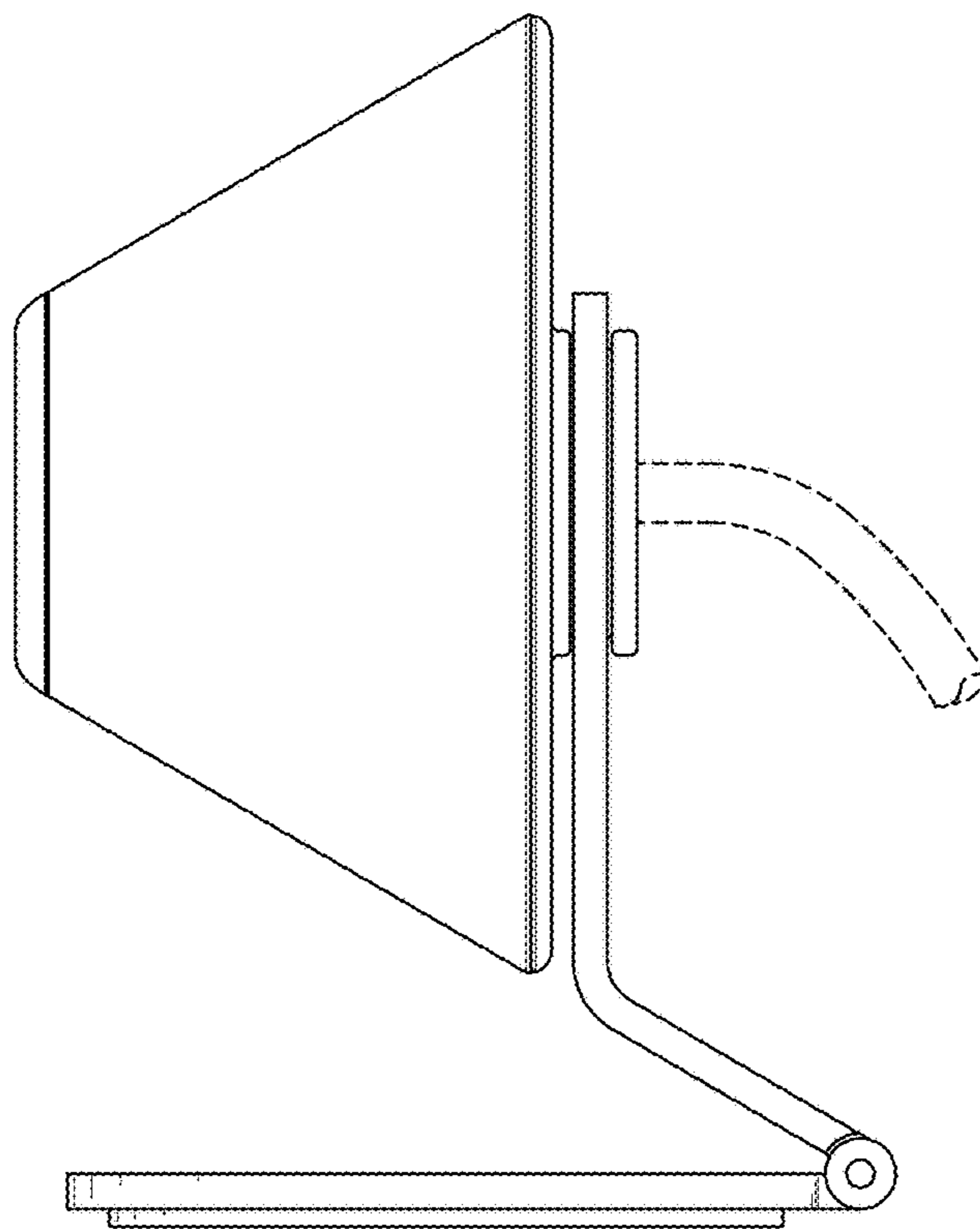


FIG. 14

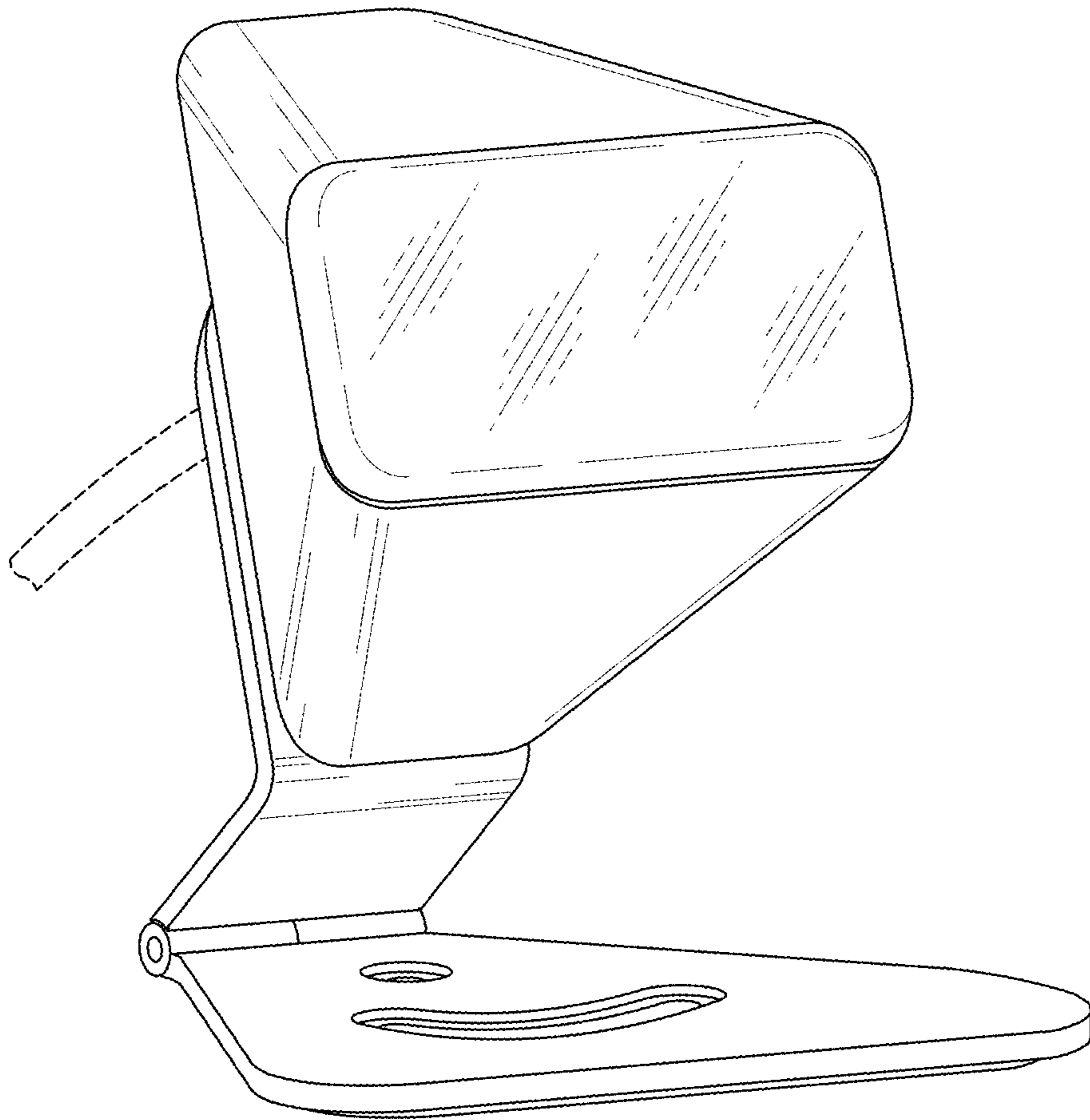


FIG. 15

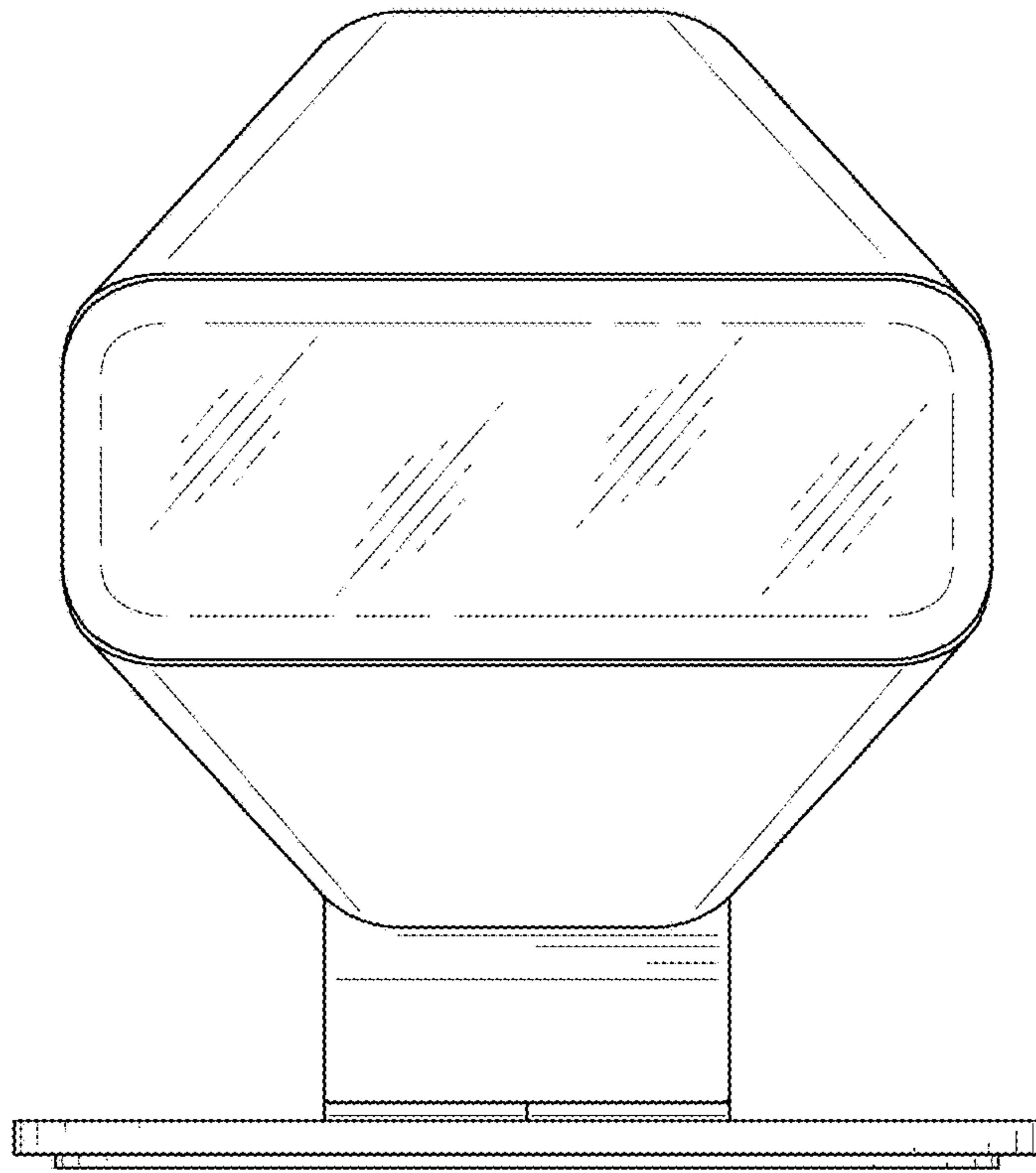


FIG. 16

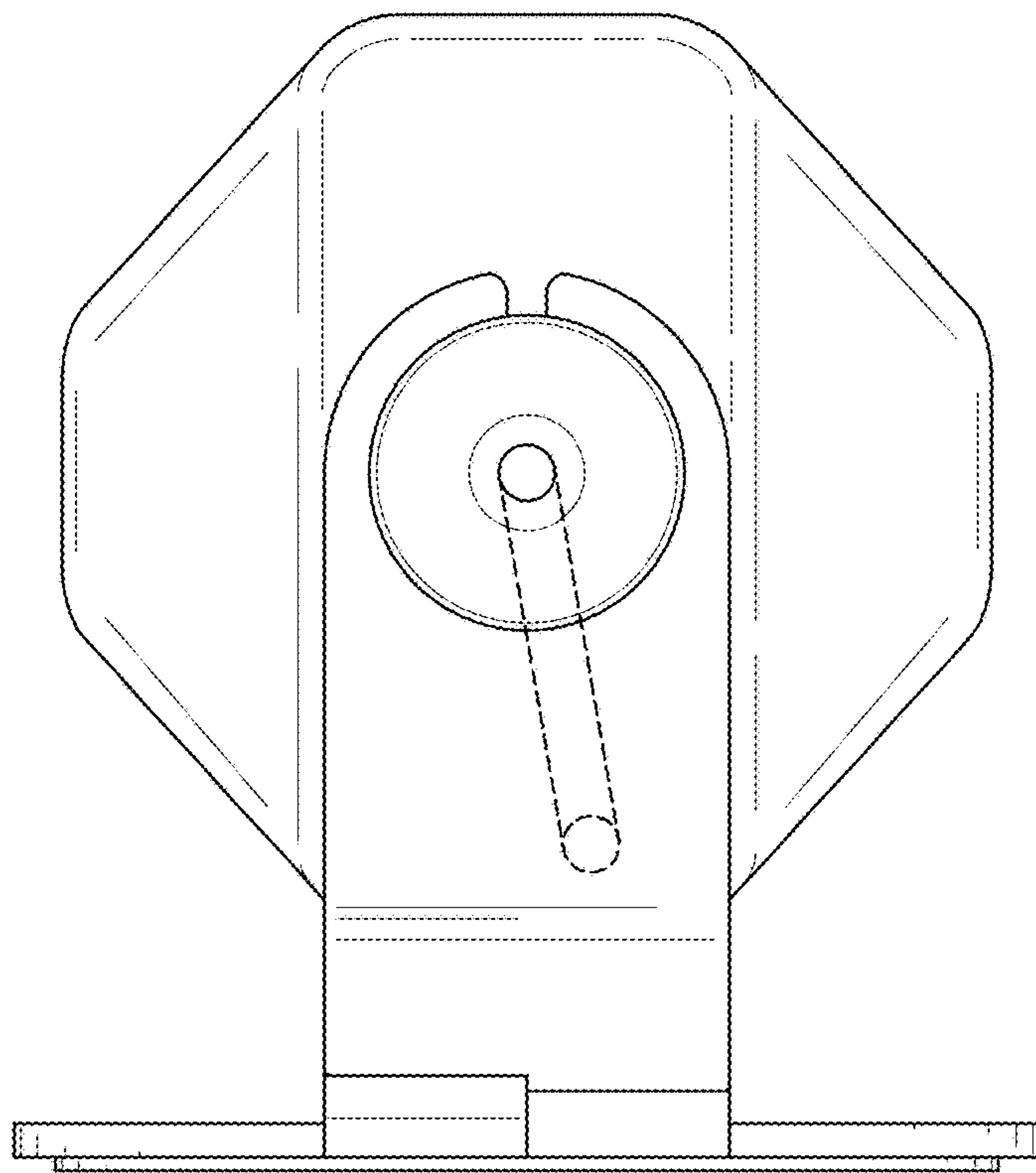


FIG. 17

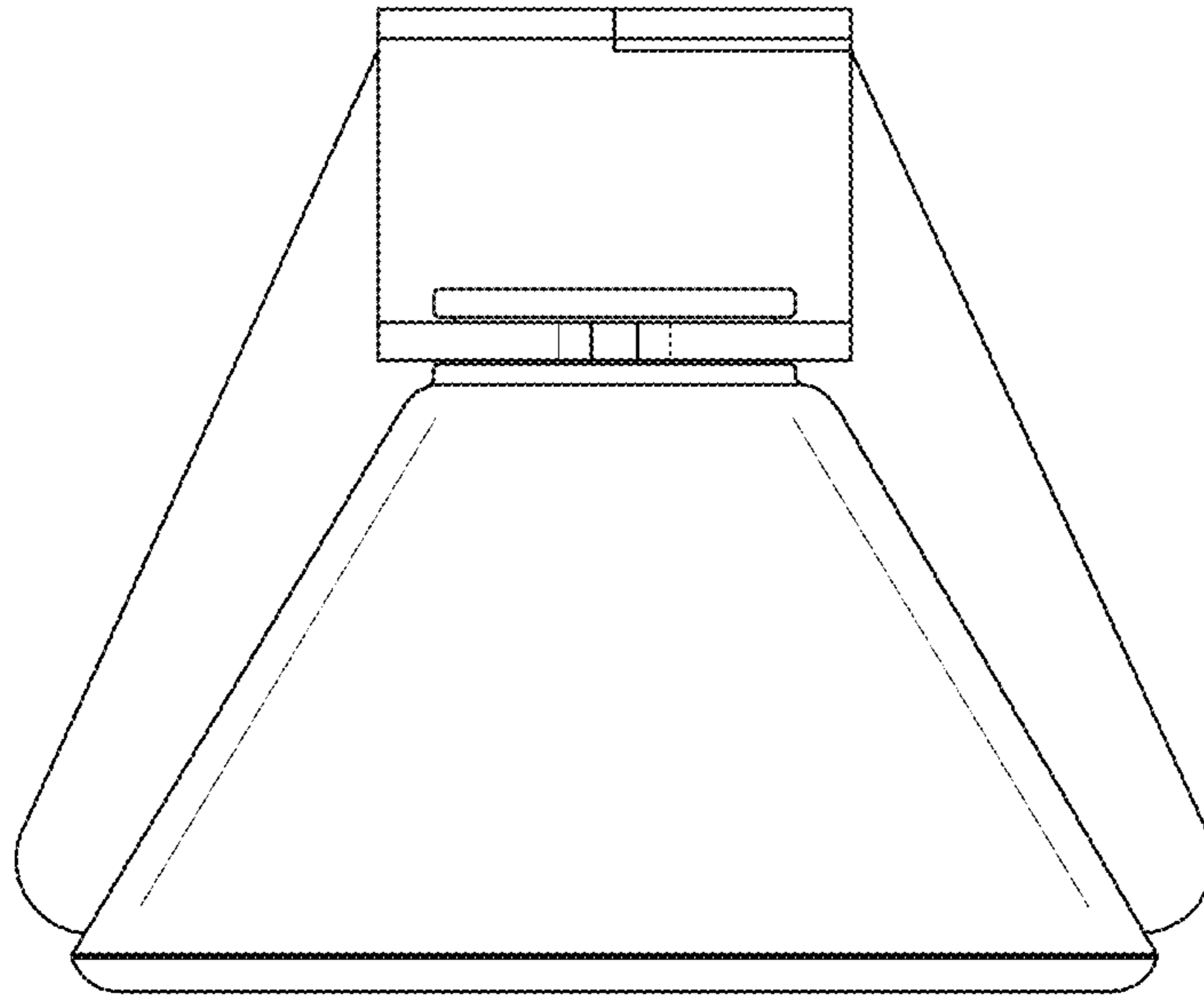


FIG. 18

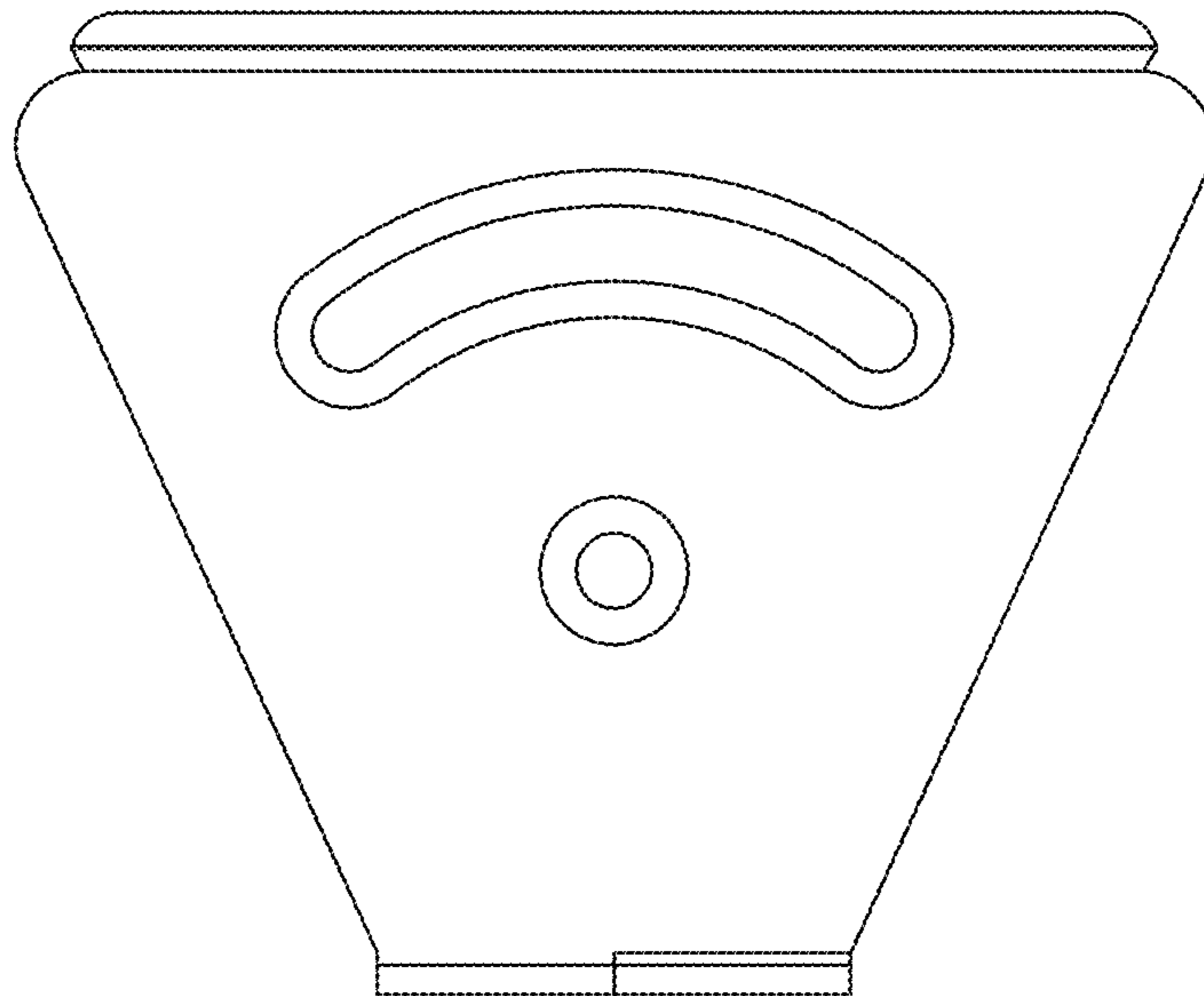


FIG. 19



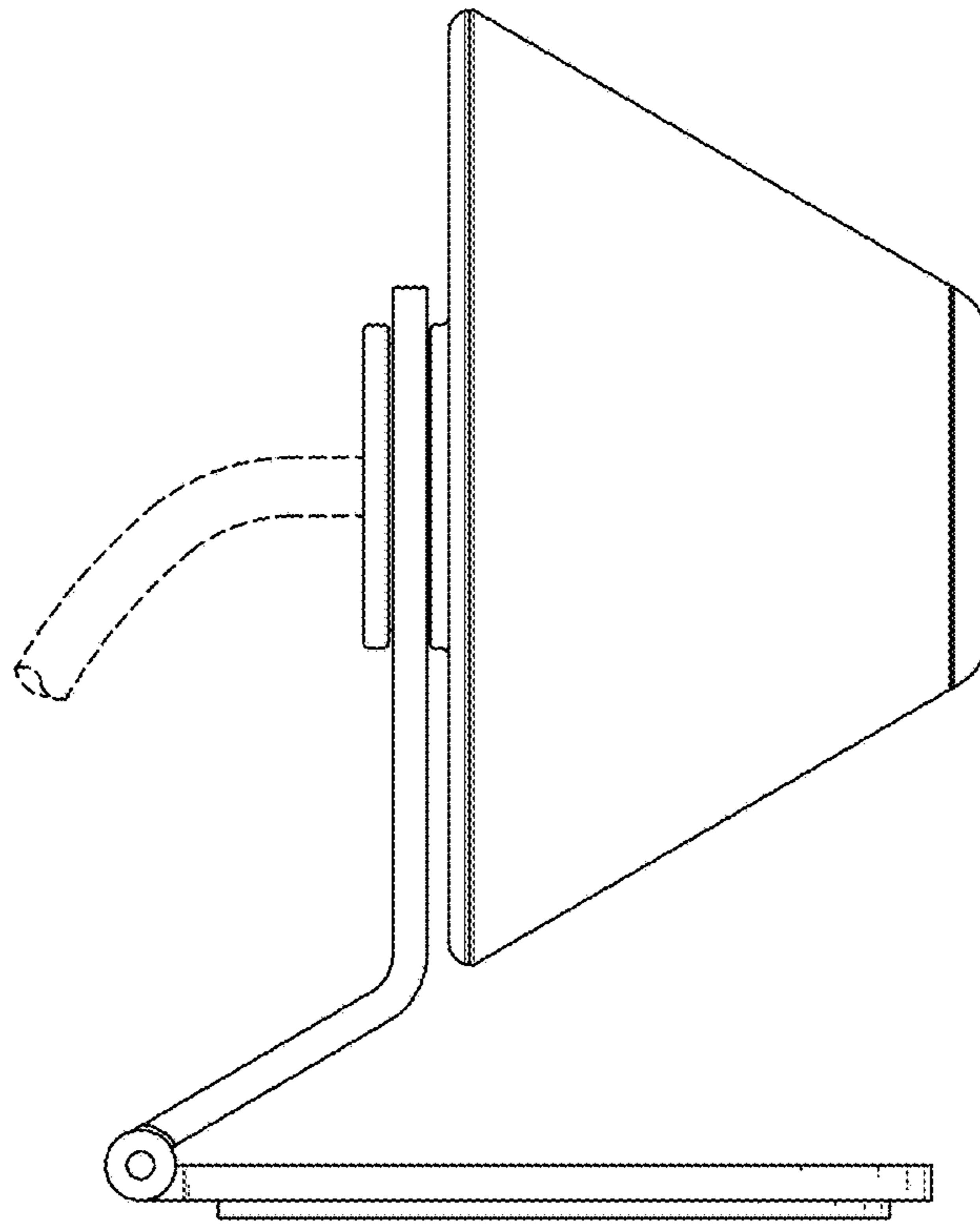


FIG. 20

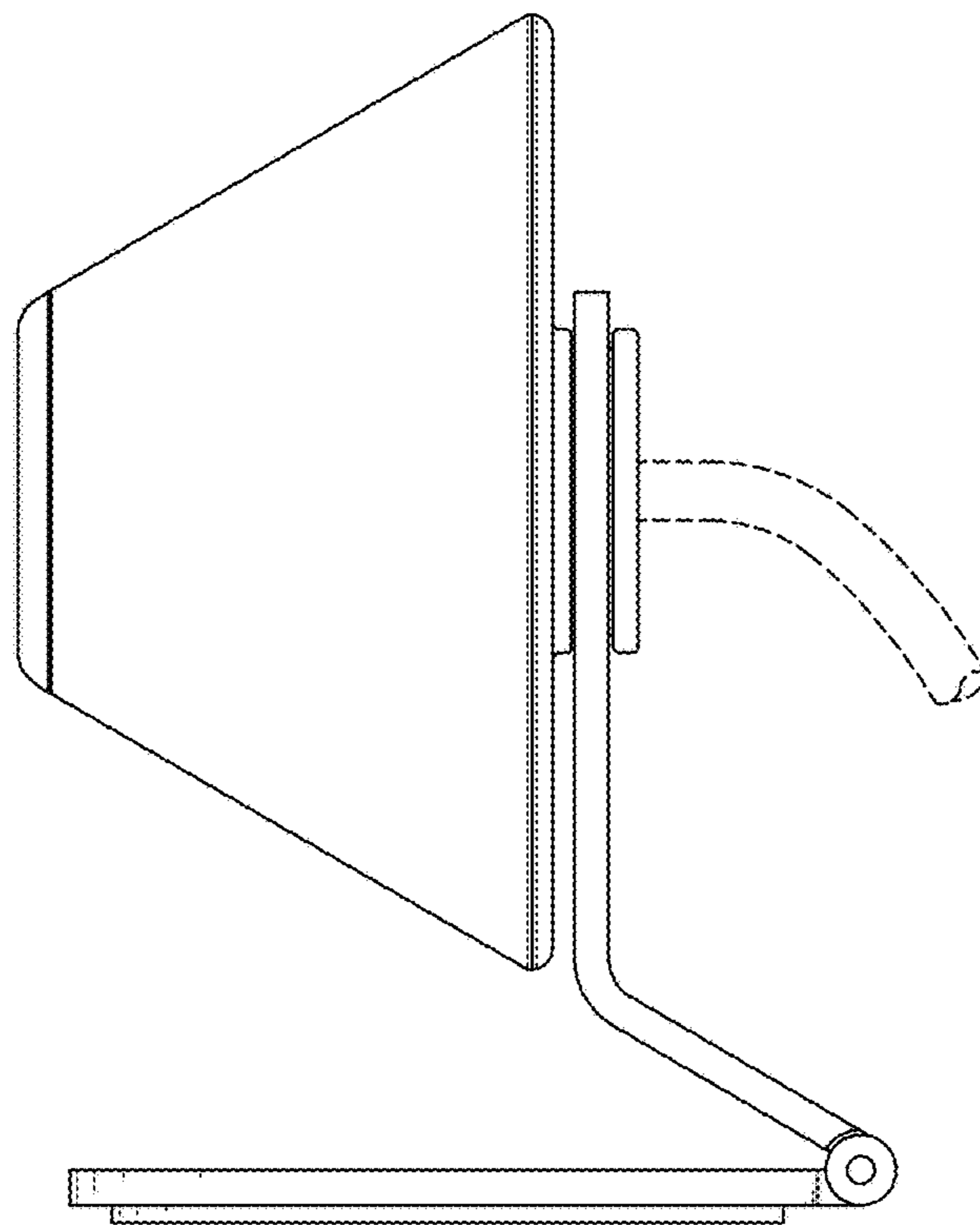


FIG. 21