



US00D809044S

(12) **United States Design Patent** (10) **Patent No.:** **US D809,044 S**  
**Loew et al.** (45) **Date of Patent:** **\*\* Jan. 30, 2018**

- (54) **WEB CAMERA**
- (71) Applicant: **Owl Labs, Inc.**, Somerville, MA (US)
- (72) Inventors: **Christopher Loew**, Palo Alto, CA (US); **David John Evans, V**, Palo Alto, CA (US); **Sarah Rashid Chaudary**, San Mateo, CA (US)
- (73) Assignee: **OWL LABS, INC.**, Somerville, MA (US)
- (\*\*) Term: **15 Years**
- (21) Appl. No.: **29/556,580**
- (22) Filed: **Mar. 1, 2016**
- (51) **LOC (11) Cl.** ..... **16-01**
- (52) **U.S. Cl.**  
USPC ..... **D16/202**
- (58) **Field of Classification Search**  
USPC ..... D7/510, 602, 619.1; D14/124, 125, 126, D14/129, 133, 314, 317, 336, 348-351, D14/356, 420; D16/200, 201, 202, 203, D16/205-221, 225, 232, 235  
CPC ..... G03B 15/03; G03B 17/04; G03B 17/56; G03B 19/04; H04N 5/2251-5/2254  
See application file for complete search history.

- (56) **References Cited**  
U.S. PATENT DOCUMENTS  
D500,067 S \* 12/2004 Liu ..... D16/202  
D519,658 S \* 4/2006 Izardel ..... D10/111  
D536,357 S \* 2/2007 Koby ..... D16/203  
D545,858 S \* 7/2007 Li ..... D16/202  
D552,648 S \* 10/2007 Chung ..... D16/202  
D561,798 S \* 2/2008 Wen ..... D16/202  
D564,841 S \* 3/2008 Clemens ..... D7/509

- D565,070 S \* 3/2008 Kim ..... D16/202
- D579,474 S \* 10/2008 Yoo ..... D16/203
- D585,925 S \* 2/2009 Kuo ..... D16/202
- D592,231 S \* 5/2009 Schnell ..... D16/202
- D608,811 S \* 1/2010 Frank ..... D16/203
- D623,213 S \* 9/2010 Boswell ..... D16/219
- D640,721 S \* 6/2011 Satine ..... D16/202
- D644,256 S \* 8/2011 Kitano ..... D15/199
- D667,268 S \* 9/2012 Pallotto ..... D7/510
- D669,735 S \* 10/2012 Wong ..... D7/510
- D676,477 S \* 2/2013 Chen ..... D16/202
- D694,746 S \* 12/2013 Akana ..... D14/314
- D695,809 S \* 12/2013 Katori ..... D16/203
- D701,893 S \* 4/2014 Bart ..... D16/203
- D716,289 S \* 10/2014 Park ..... D14/314
- 2016/0292884 A1 10/2016 Schnittman et al.
- 2016/0295128 A1 10/2016 Schnittman et al.

\* cited by examiner

*Primary Examiner* — Susan E Krakower  
*Assistant Examiner* — L. A. Grabenstetter  
(74) *Attorney, Agent, or Firm* — Jenkins, Wilson, Taylor & Hunt, P.A.

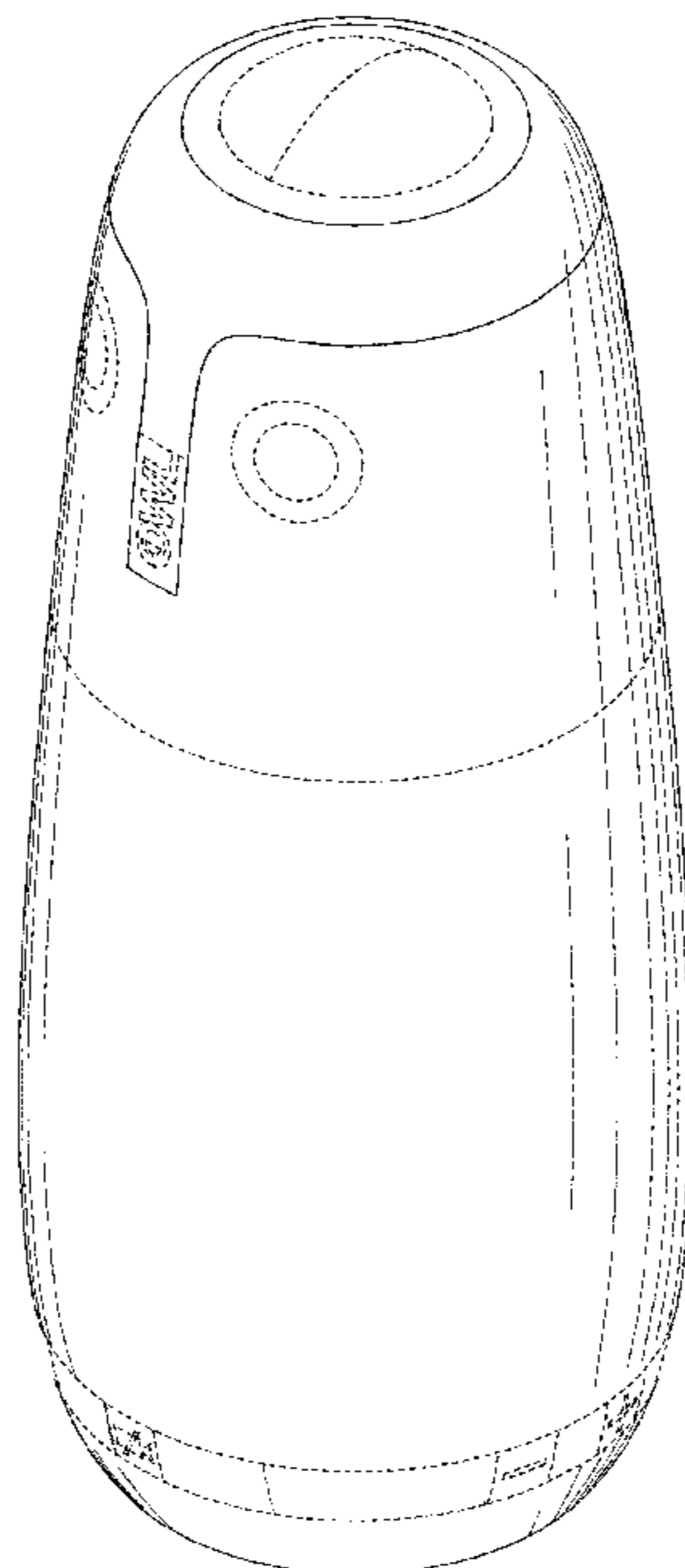
(57) **CLAIM**

The ornamental design for a web camera, as shown and described.

**DESCRIPTION**

FIG. 1 is an isometric view of a web camera.  
FIG. 2 is a side view of the web camera of FIG. 1.  
FIG. 3 is another side view of the web camera of FIG. 1.  
FIG. 4 is another side view of the web camera of FIG. 1.  
FIG. 5 is another side view of the web camera of FIG. 1.  
FIG. 6 is a top view of the web camera of FIG. 1; and,  
FIG. 7 is a bottom view of the web camera of FIG. 1.  
The broken lines represent unclaimed portions of the web camera.

**1 Claim, 4 Drawing Sheets**



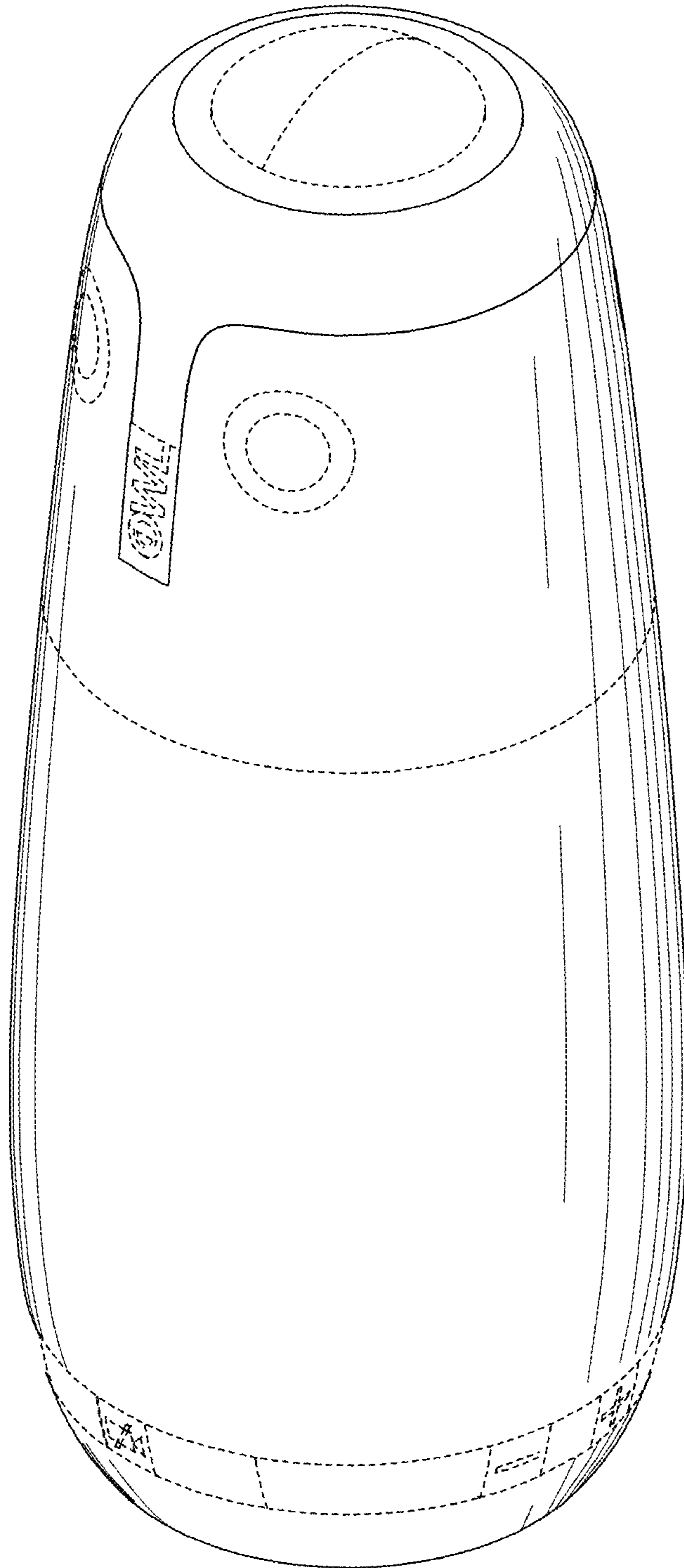


FIG. 1

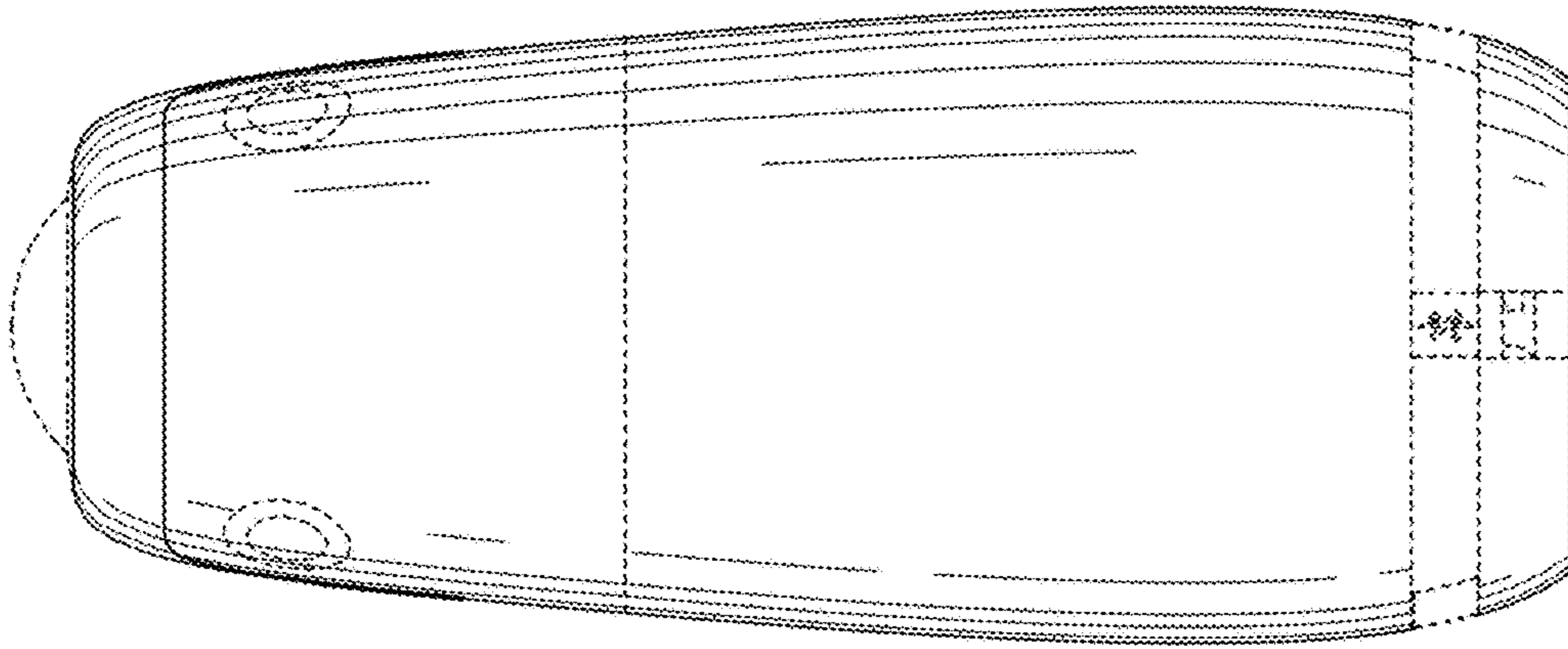


FIG. 3

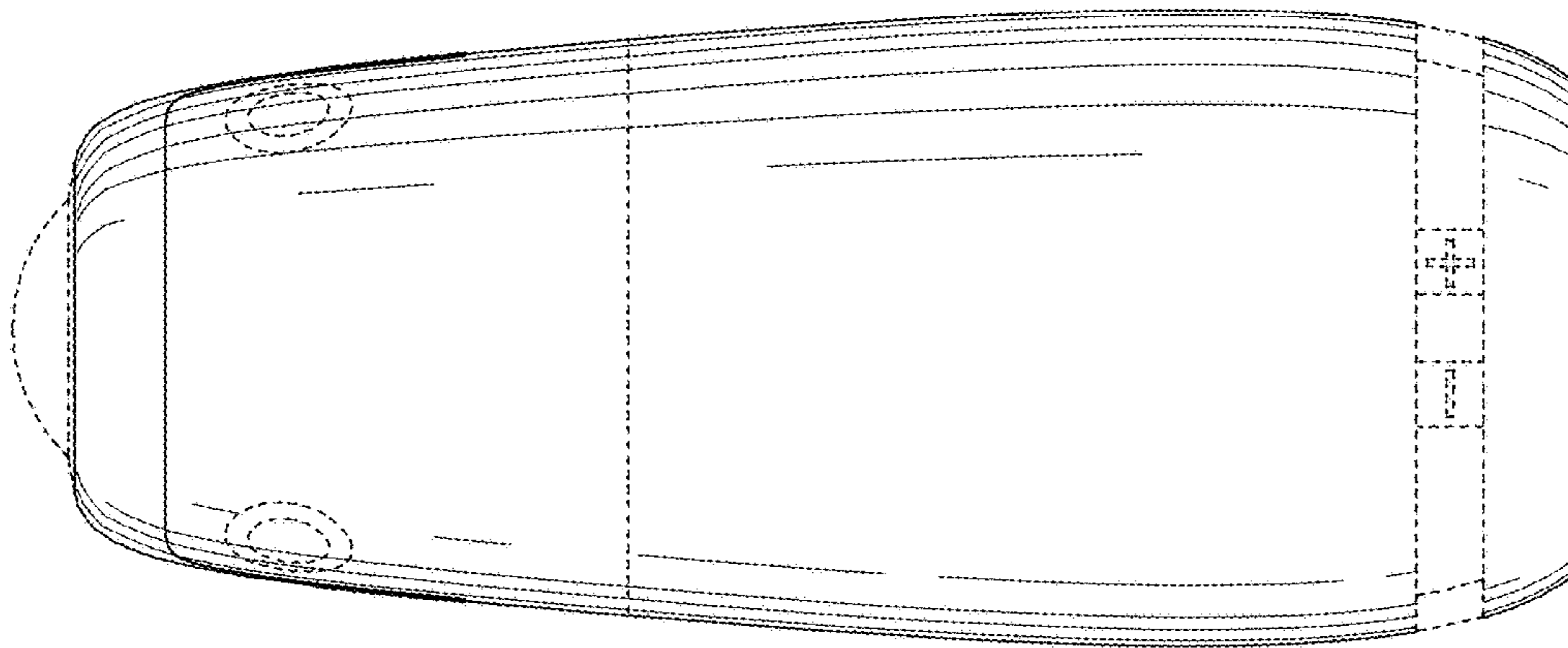


FIG. 2

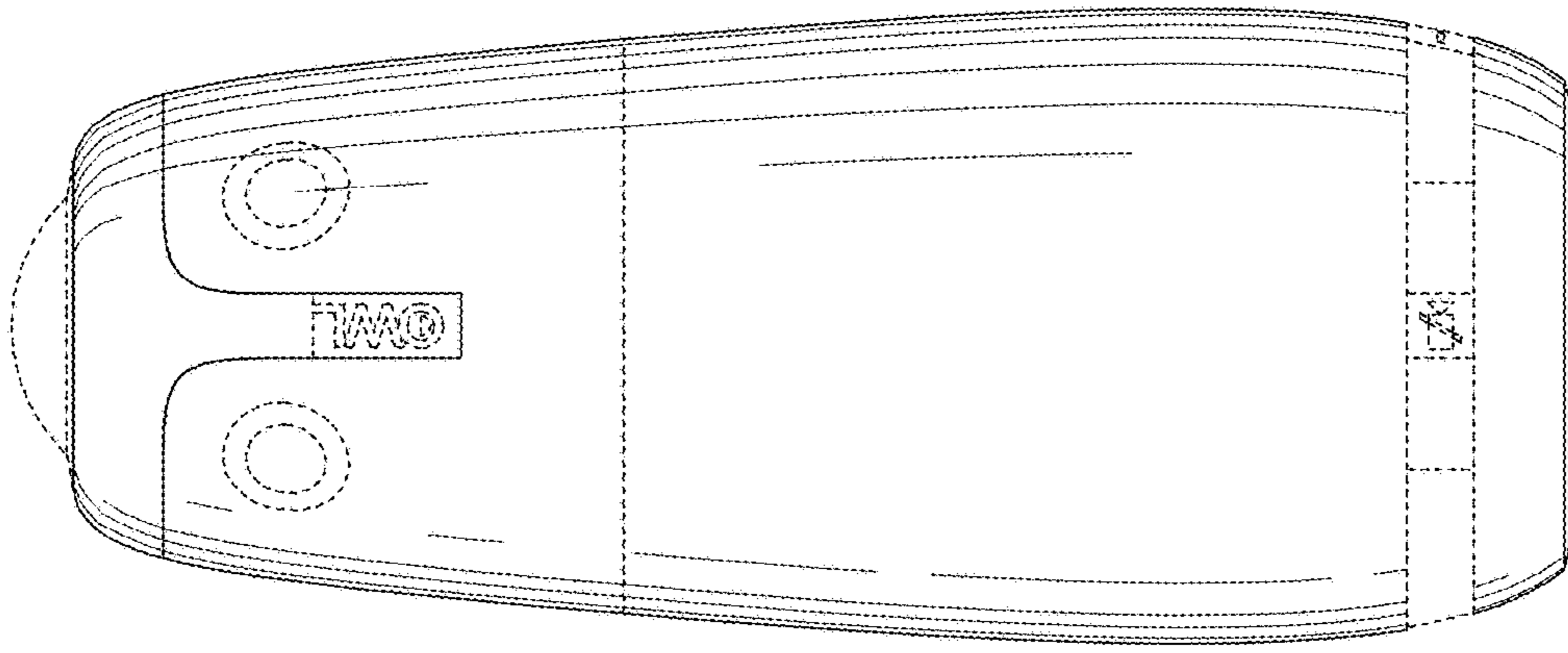


FIG. 5

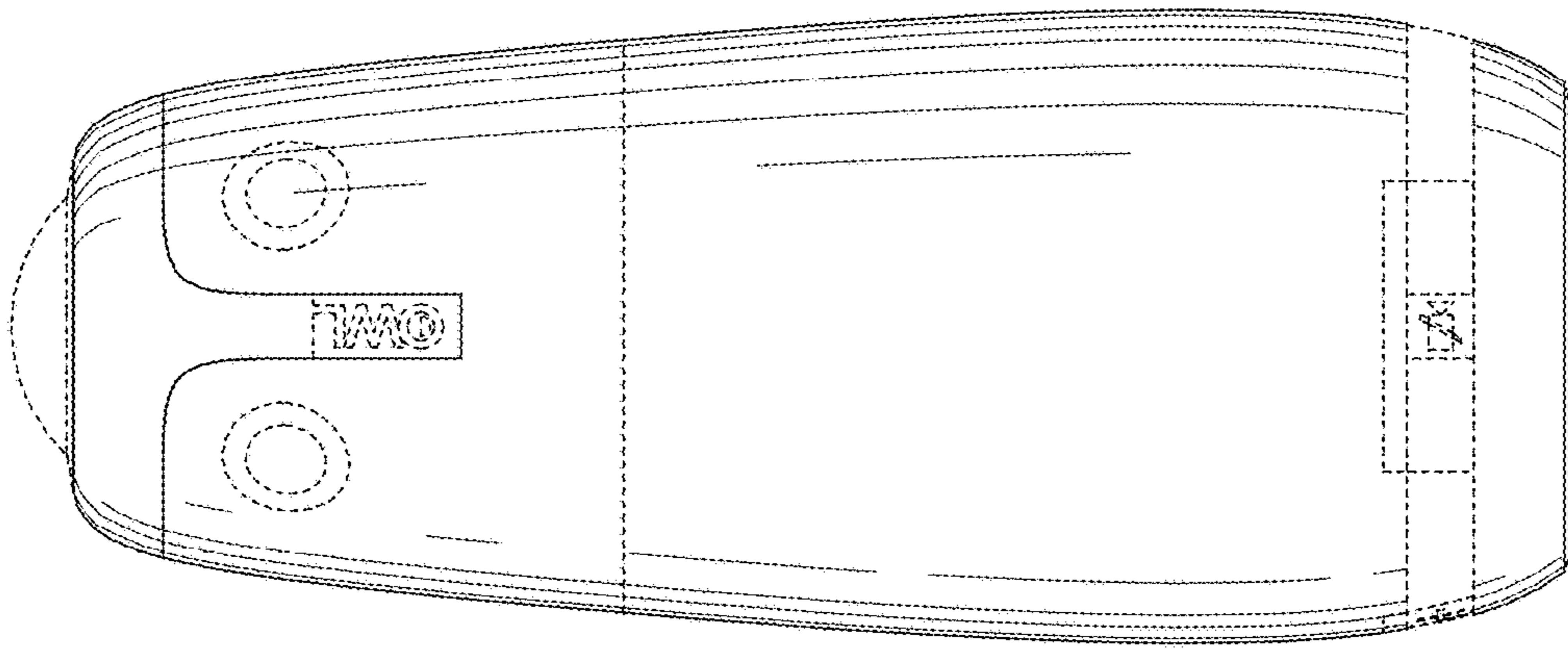


FIG. 4

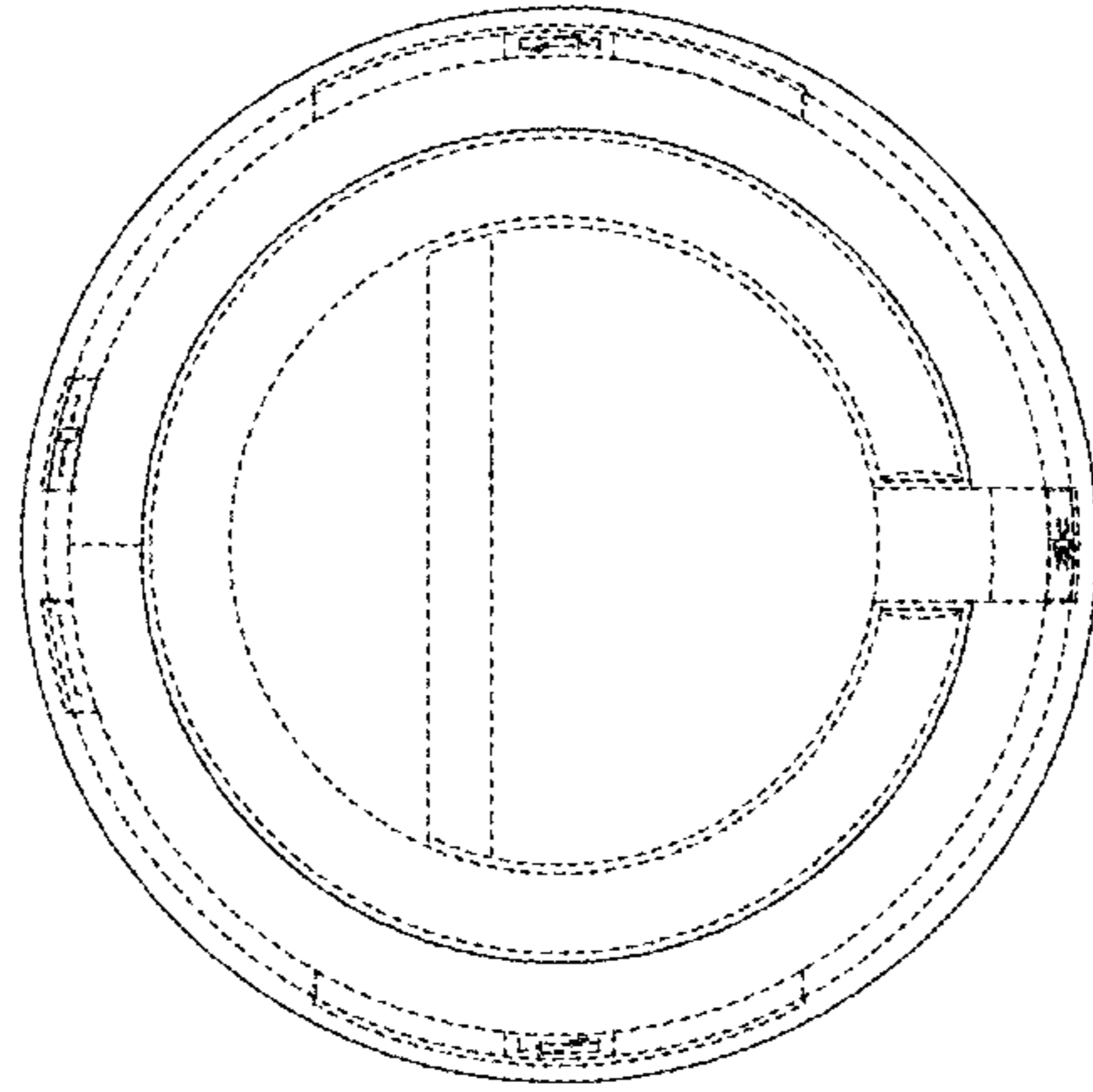


FIG. 7

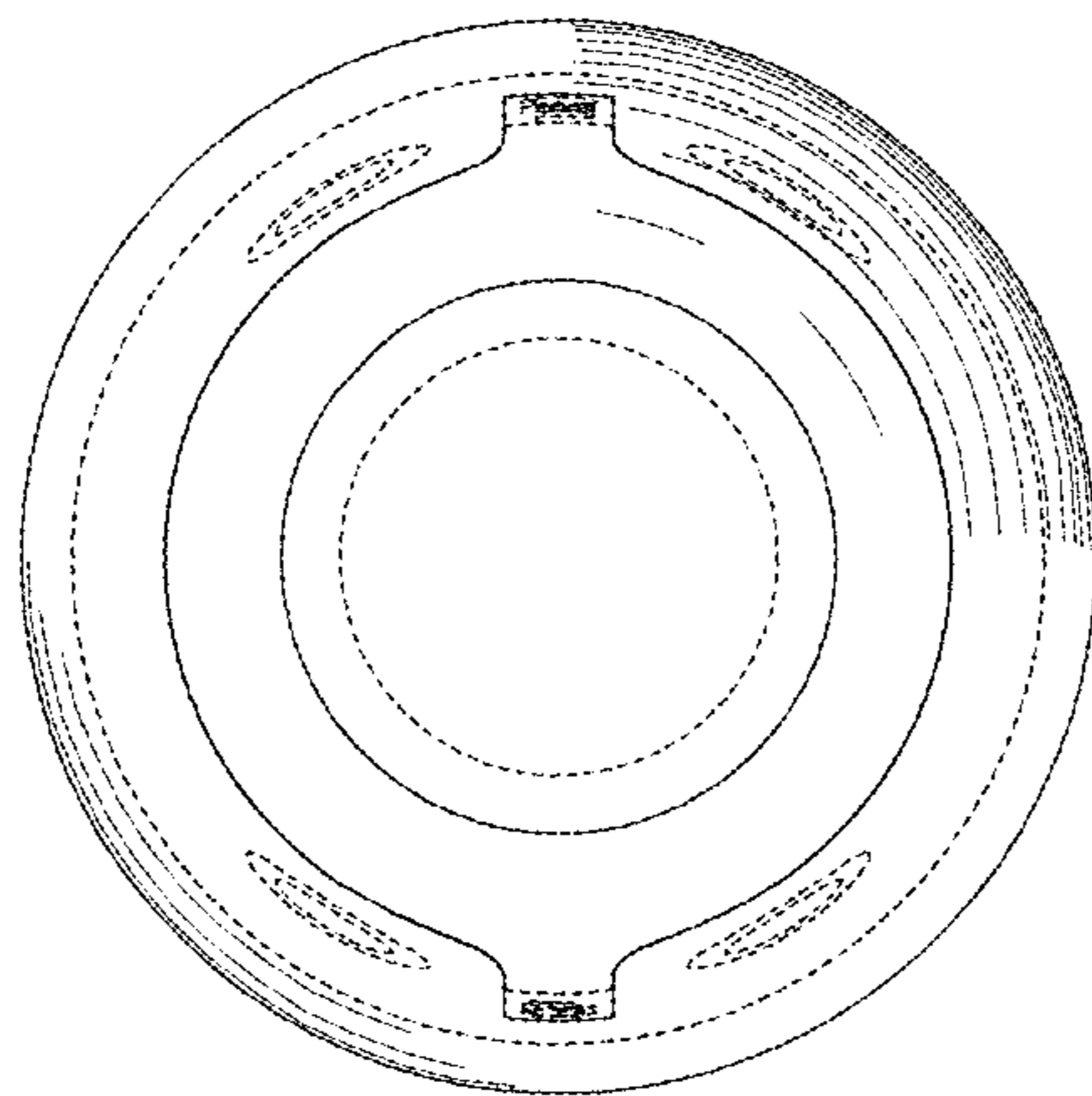


FIG. 6