



US00D809041S

(12) **United States Design Patent**  
**Zhang et al.**

(10) **Patent No.:** **US D809,041 S**  
(45) **Date of Patent:** **\*\* Jan. 30, 2018**

- (54) **SURGICAL ROBOT END EFFECTOR** 4,648,388 A \* 3/1987 Steffee ..... A61B 17/7005  
248/316.6
- (71) Applicant: **GLOBUS MEDICAL, INC.**, Aububon, PA (US) D336,518 S \* 6/1993 Taylor ..... D24/140  
D404,128 S \* 1/1999 Huebner ..... D24/145  
D576,727 S \* 9/2008 Lowenstein ..... D24/133  
7,938,829 B2 \* 5/2011 Mullaney ..... A61B 17/645  
403/385
- (72) Inventors: **Kevin Zhang**, Medford, MA (US);  
**Gerd Schmieta**, Boston, MA (US);  
**Chris Major**, Reisterstown, MD (US);  
**David Cleary**, Somerville, MA (US) D649,641 S \* 11/2011 Guttulsrud ..... D24/143  
8,057,517 B2 \* 11/2011 Flynn ..... A61B 17/7005  
606/257
- (73) Assignee: **Globus Medical, Inc.**, Audubon, PA (US) 8,083,775 B2 \* 12/2011 Winslow ..... A61B 17/7001  
606/264  
8,333,792 B2 \* 12/2012 Winslow ..... A61B 17/7005  
606/305  
8,900,273 B2 \* 12/2014 Fauth ..... A61B 17/7035  
606/265
- (\*\*) Term: **15 Years**

(21) Appl. No.: **29/577,709**

\* cited by examiner

(22) Filed: **Sep. 15, 2016**

*Primary Examiner* — Robert M Spear

(51) **LOC (11) Cl.** ..... **15-99**

*Assistant Examiner* — Eliza Bennett-Hattan

(52) **U.S. Cl.**  
USPC ..... **D15/199; D24/138**

(57) **CLAIM**

(58) **Field of Classification Search**  
USPC ..... D24/133, 150, 172, 137, 143, 144, 145,  
D24/146, 147, 138; D15/142, 199;  
D8/300, 107, 307

The ornamental design for a surgical robot end effector, as shown and described herein.

CPC ..... A61B 34/30; A61B 34/37; A61B 90/361;  
A61B 2034/305; A61B 34/71; A61B 34/20;  
A61B 34/70; A61B 17/00234;  
A61B 2034/108; A61B 1/3132  
See application file for complete search history.

**DESCRIPTION**

(56) **References Cited**

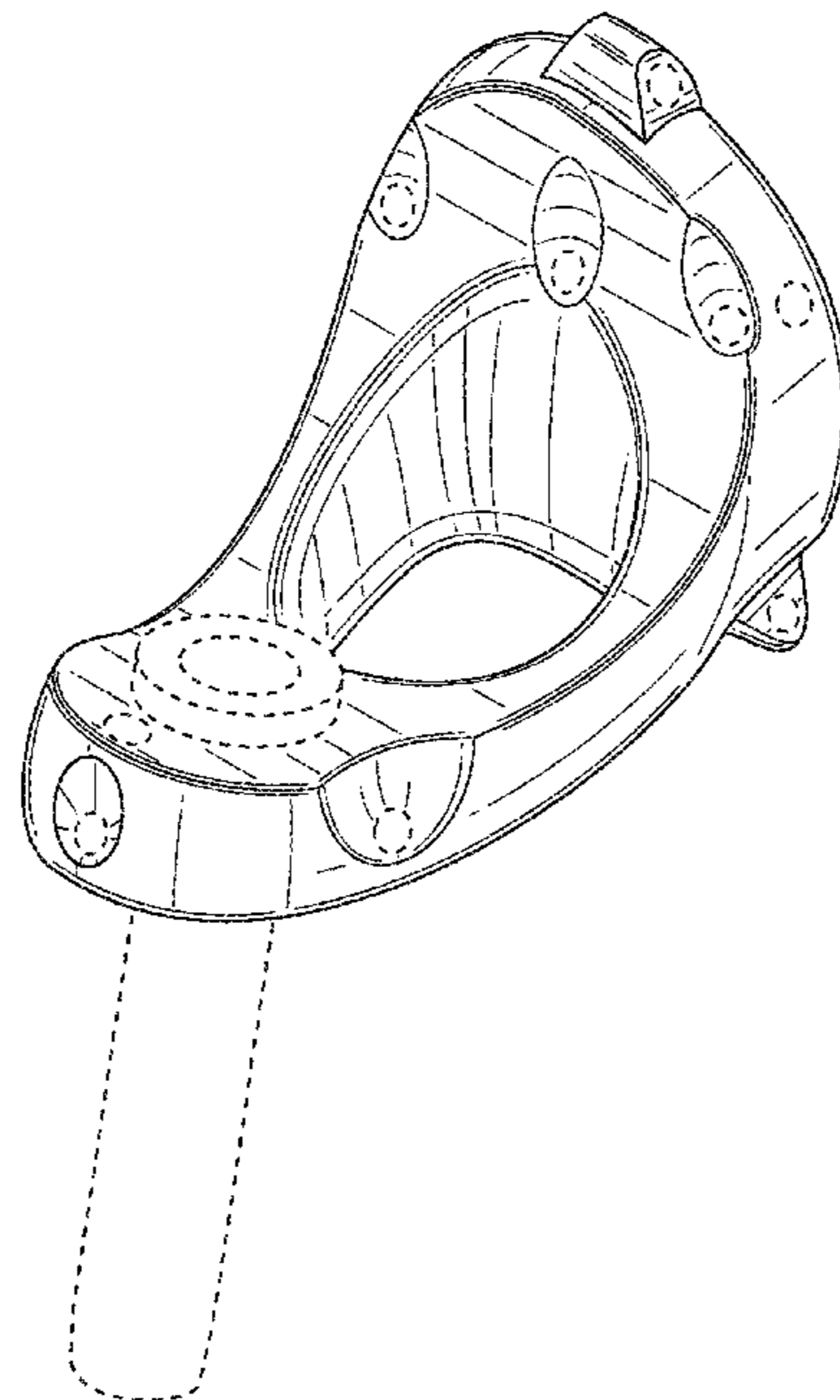
FIG. 1 shows a perspective view of the surgical robot end effector showing a new design;  
FIG. 2 shows a front view thereof;  
FIG. 3 shows a rear view thereof;  
FIG. 4 shows a side view thereof;  
FIG. 5 shows another side view thereof;  
FIG. 6 shows a top view thereof; and,  
FIG. 7 shows a bottom view thereof.

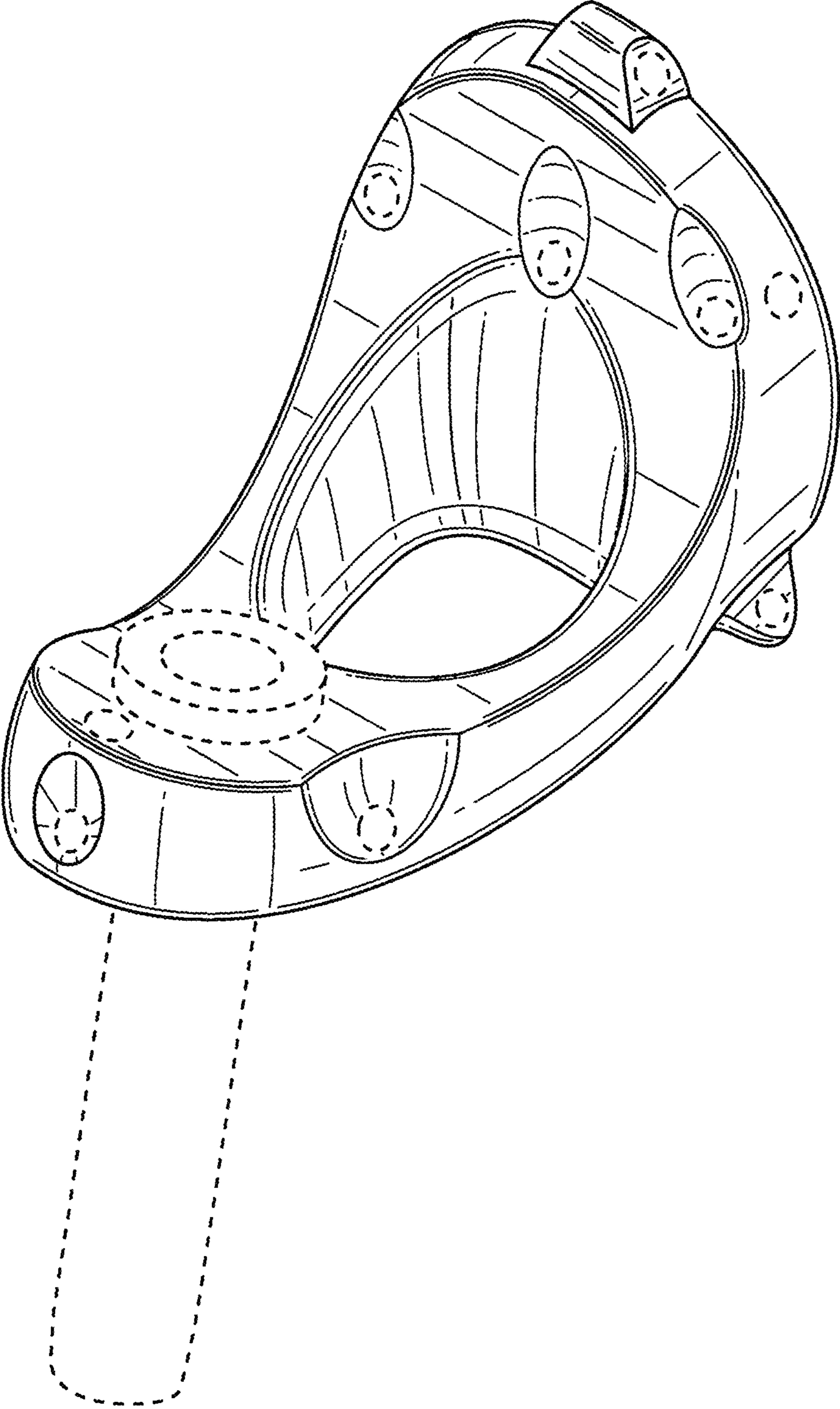
**U.S. PATENT DOCUMENTS**

- 4,483,334 A \* 11/1984 Murray ..... A61B 17/60  
403/391
- 4,567,884 A \* 2/1986 Edwards ..... A61B 17/7004  
606/276

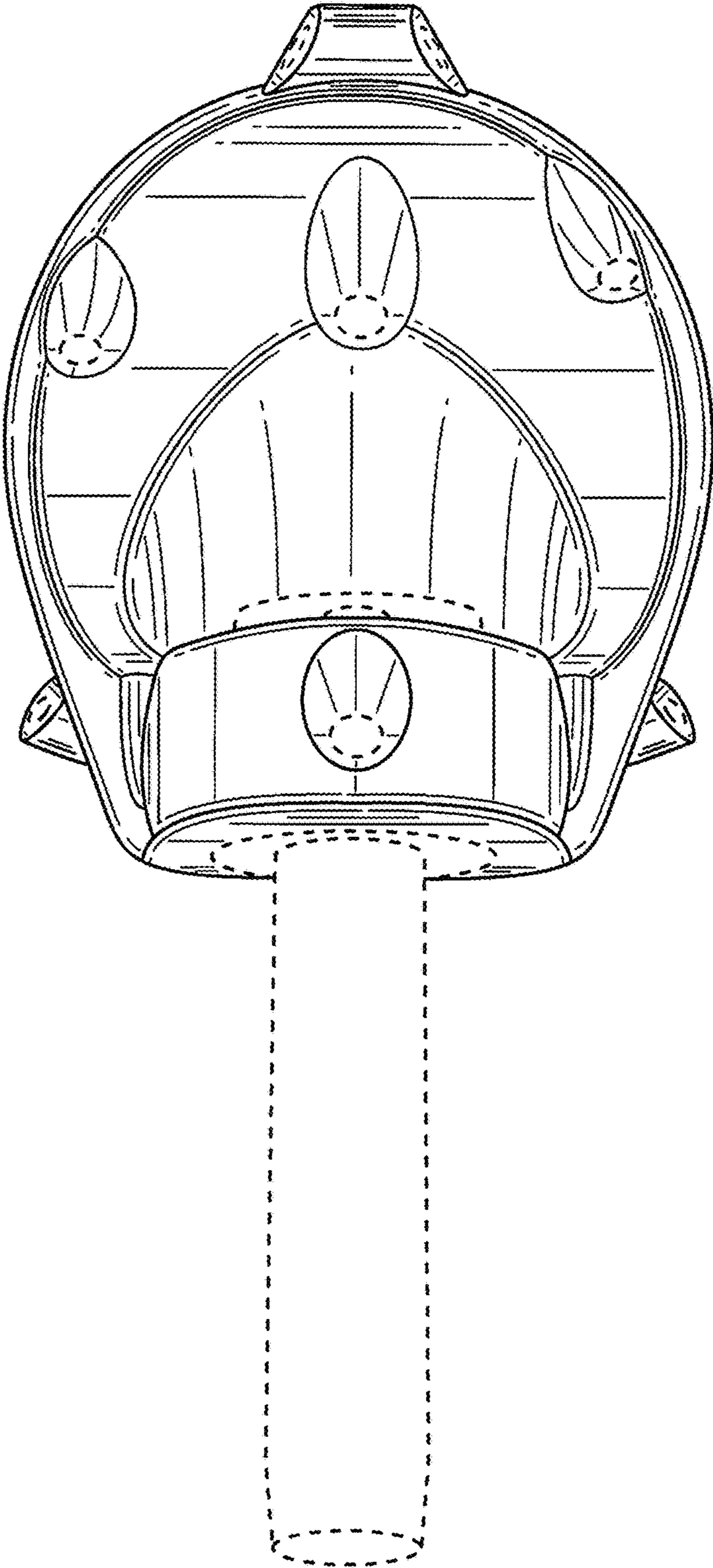
In the above drawings the broken lines and the areas within the broken lines form no part of the claimed design.

**1 Claim, 7 Drawing Sheets**





**FIG. 1**



**FIG. 2**

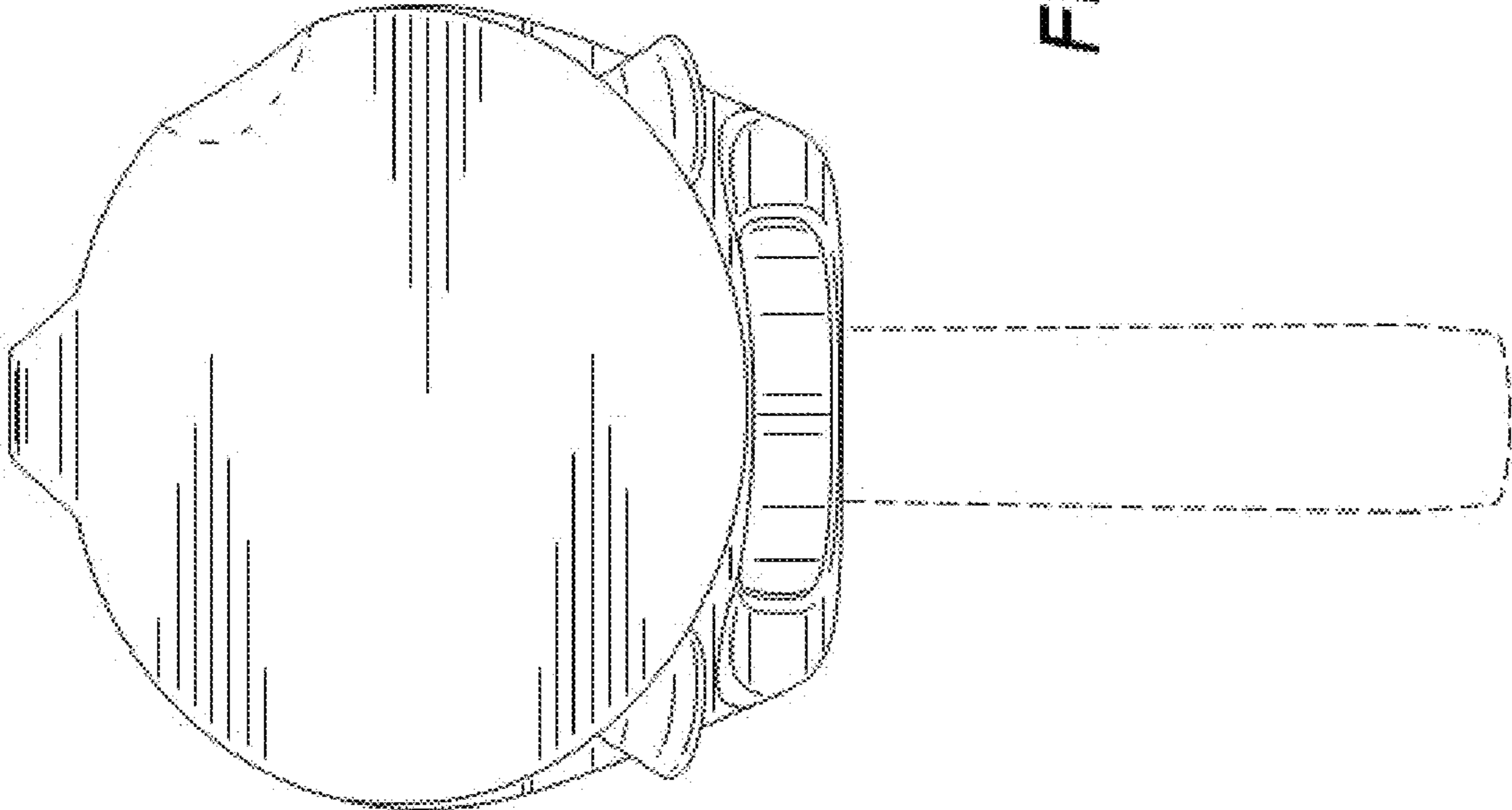
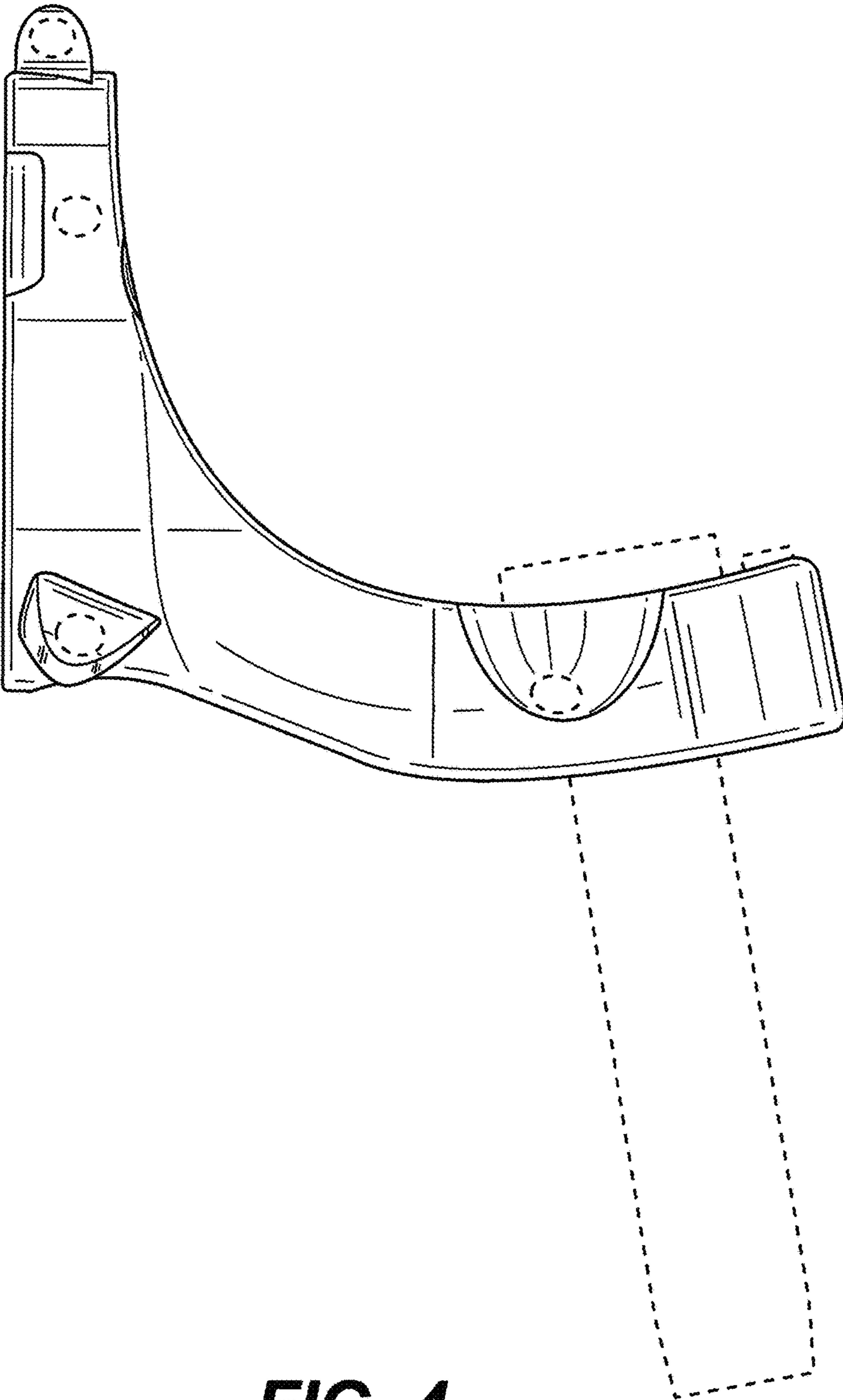
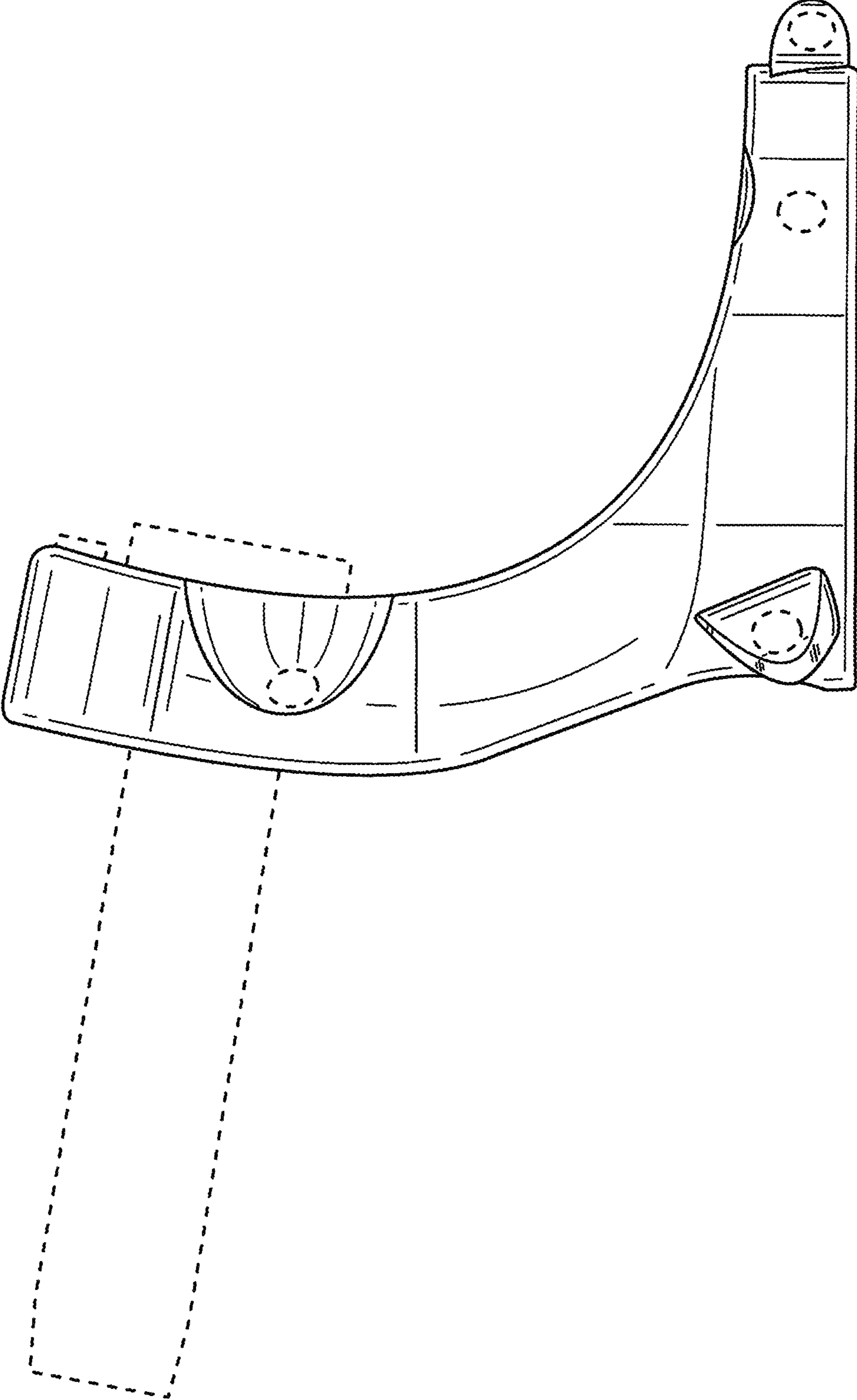


FIG. 3

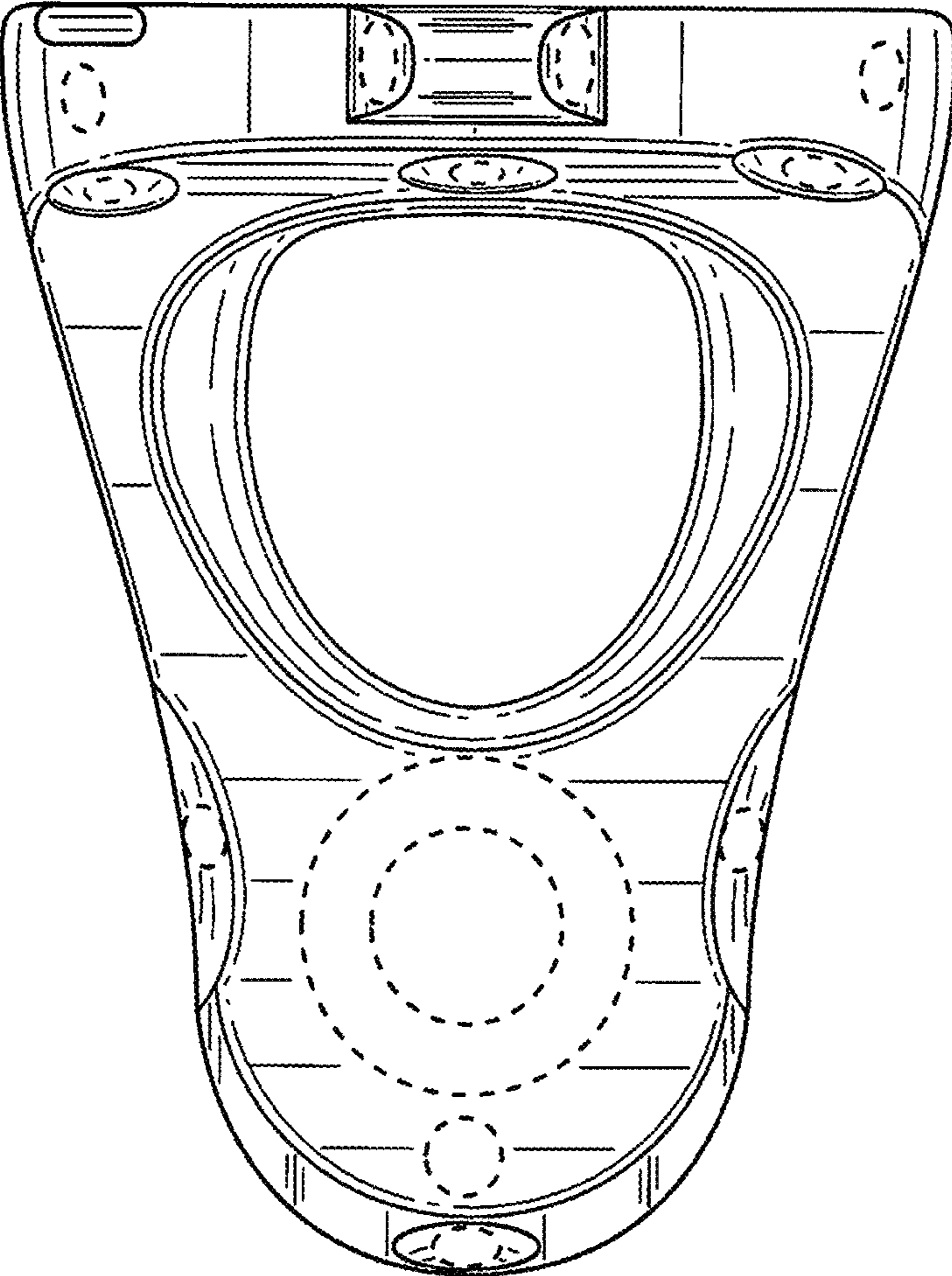




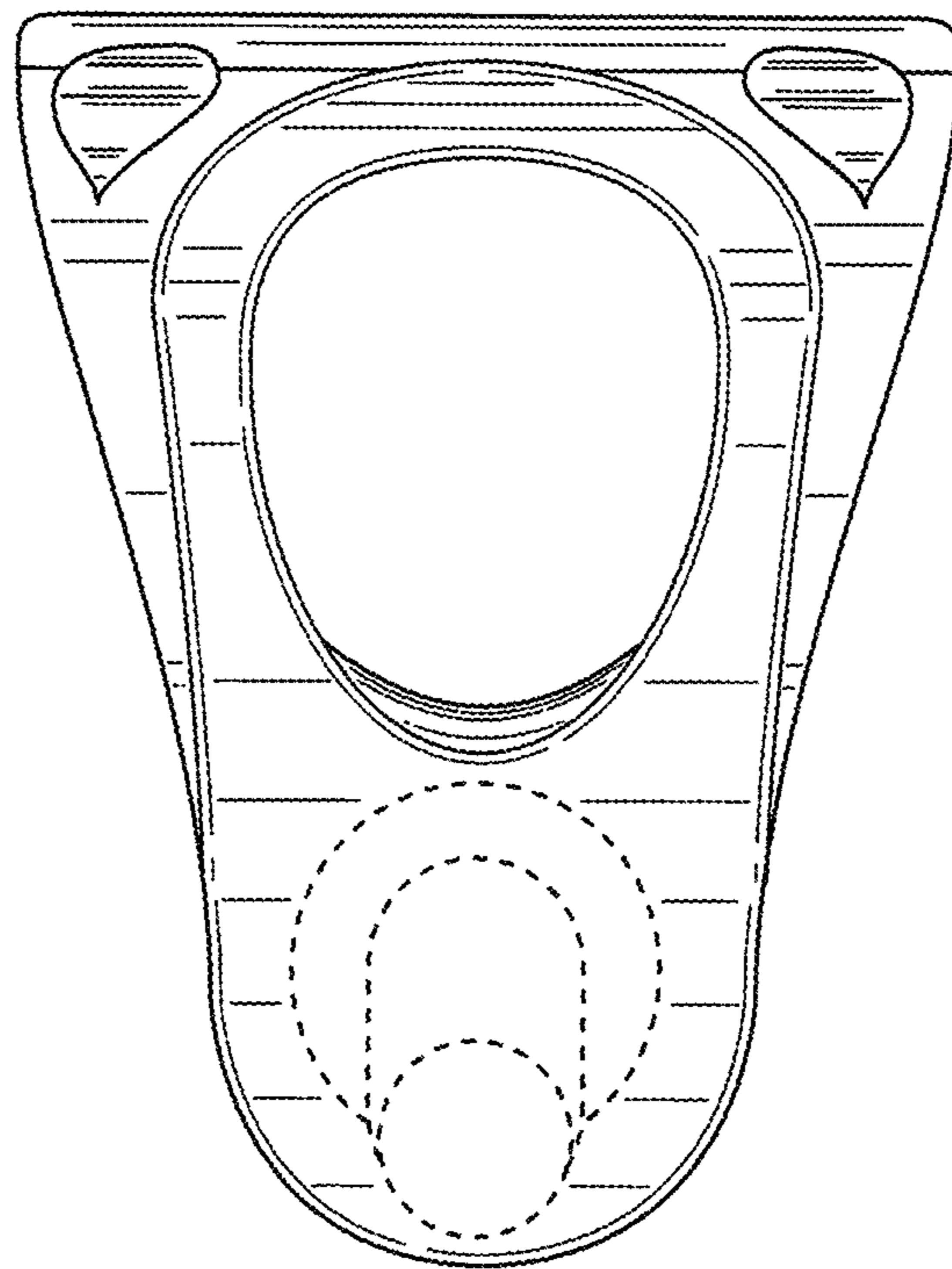
**FIG. 4**



**FIG. 5**



**FIG. 6**



**FIG. 7**