



US00D809038S

(12) **United States Design Patent**  
**Zhuang**

(10) **Patent No.:** **US D809,038 S**

(45) **Date of Patent:** **\*\* Jan. 30, 2018**

(54) **ELECTRIC CYLINDER**

(71) Applicant: **TIMOTION TECHNOLOGY CO., LTD.**, New Taipei (TW)

(72) Inventor: **Bing-Sen Zhuang**, New Taipei (TW)

(73) Assignee: **TIMOTION TECHNOLOGY CO., LTD.**, New Taipei (TW)

(\*\*) Term: **15 Years**

(21) Appl. No.: **29/594,830**

(22) Filed: **Feb. 22, 2017**

(51) **LOC (11) Cl.** ..... **15-09**

(52) **U.S. Cl.**  
USPC ..... **D15/148**

(58) **Field of Classification Search**  
USPC ..... D12/345; D13/118, 158, 162, 184;  
D15/1-5, 7, 9, 143, 148, 149, 199  
CPC ..... B66F 3/18; F16H 19/04; F16H 57/039;  
H01F 7/066  
See application file for complete search history.

(56) **References Cited**

**U.S. PATENT DOCUMENTS**

6,400,047 B1 *	6/2002	Hartrampf .....	F15B 15/14 310/12.27
D522,028 S *	5/2006	Beadle .....	D15/143
D577,753 S *	9/2008	Lund .....	D15/143
D595,753 S *	7/2009	Tseng .....	D15/143
D620,961 S *	8/2010	Iversen .....	D15/143

D625,745 S *	10/2010	Chiang .....	D15/143
D646,310 S *	10/2011	Lan .....	D15/143
D654,524 S *	2/2012	Iversen .....	D15/199
D695,799 S *	12/2013	Landerholm .....	D15/143
D719,595 S *	12/2014	Landerholm .....	D15/143
D727,714 S *	4/2015	Gherlenda .....	D8/331
D765,748 S *	9/2016	Bogelund .....	D15/143
D776,728 S *	1/2017	Wu .....	D15/143
D785,061 S *	4/2017	Gong .....	D15/148
D785,062 S *	4/2017	Gong .....	D15/148
D792,490 S *	7/2017	Lin .....	D15/143
D800,195 S *	10/2017	Lin .....	D15/148

\* cited by examiner

*Primary Examiner* — Patricia A Palasik

(74) *Attorney, Agent, or Firm* — Chun-Ming Shih; HDLS IPR Services

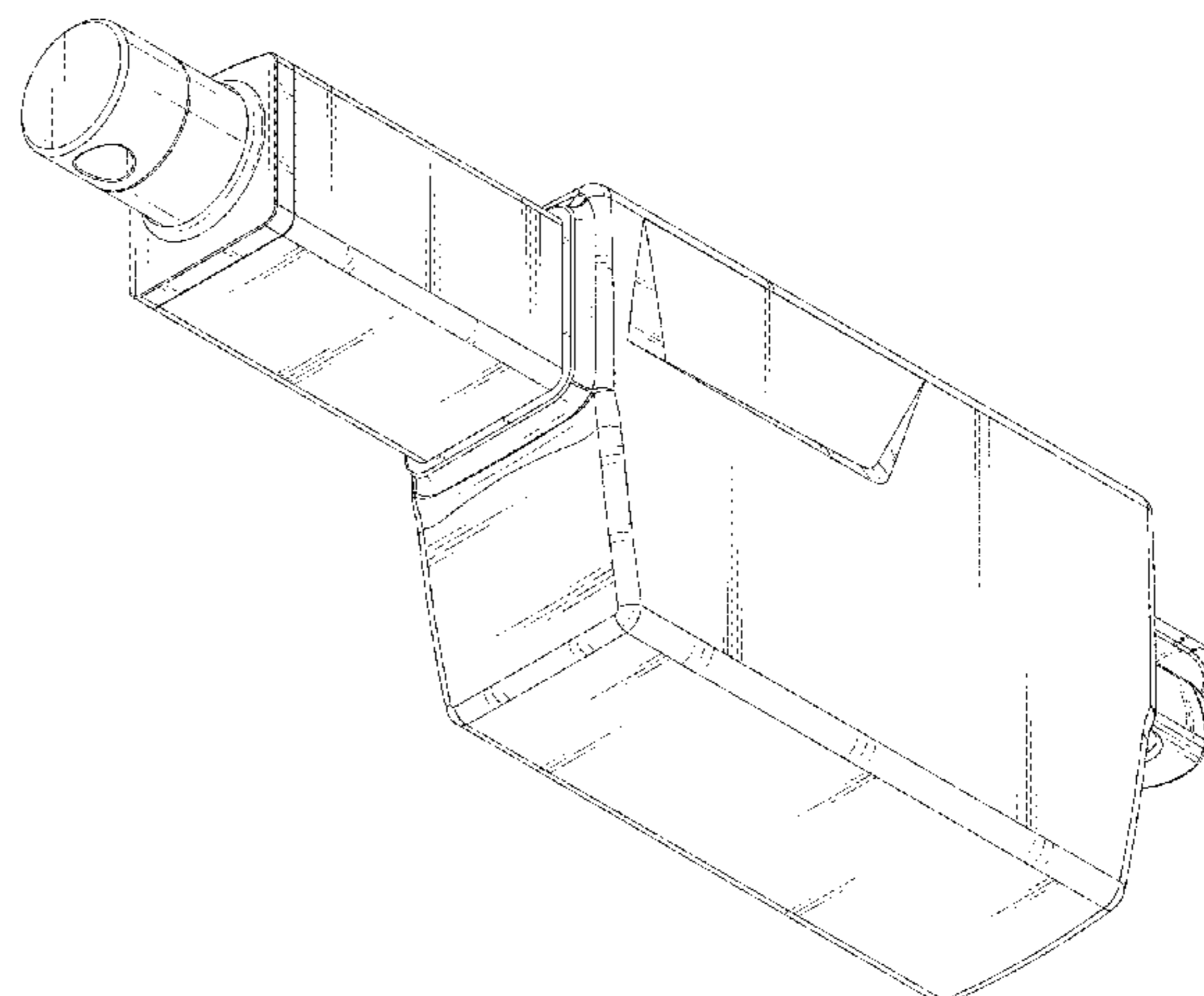
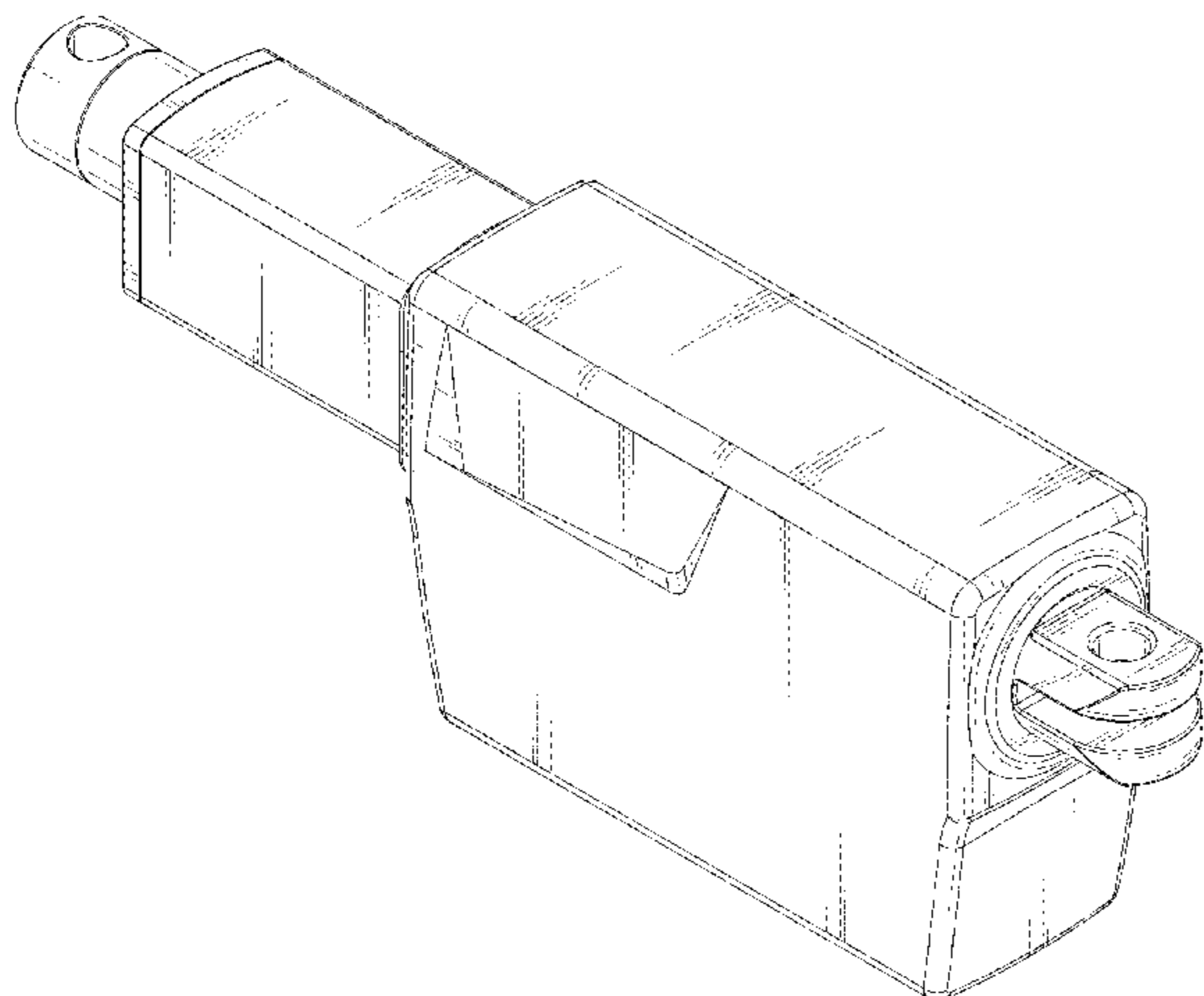
(57) **CLAIM**

The ornamental design for an electric cylinder, as shown and described.

**DESCRIPTION**

FIG. 1 is a perspective view of an electric cylinder showing my new design;  
FIG. 2 is a front view thereof;  
FIG. 3 is a rear view thereof;  
FIG. 4 is a left side view thereof;  
FIG. 5 is a right side view thereof;  
FIG. 6 is a top view thereof;  
FIG. 7 is a bottom view thereof; and,  
FIG. 8 is second perspective view showing the electric cylinder.

**1 Claim, 7 Drawing Sheets**



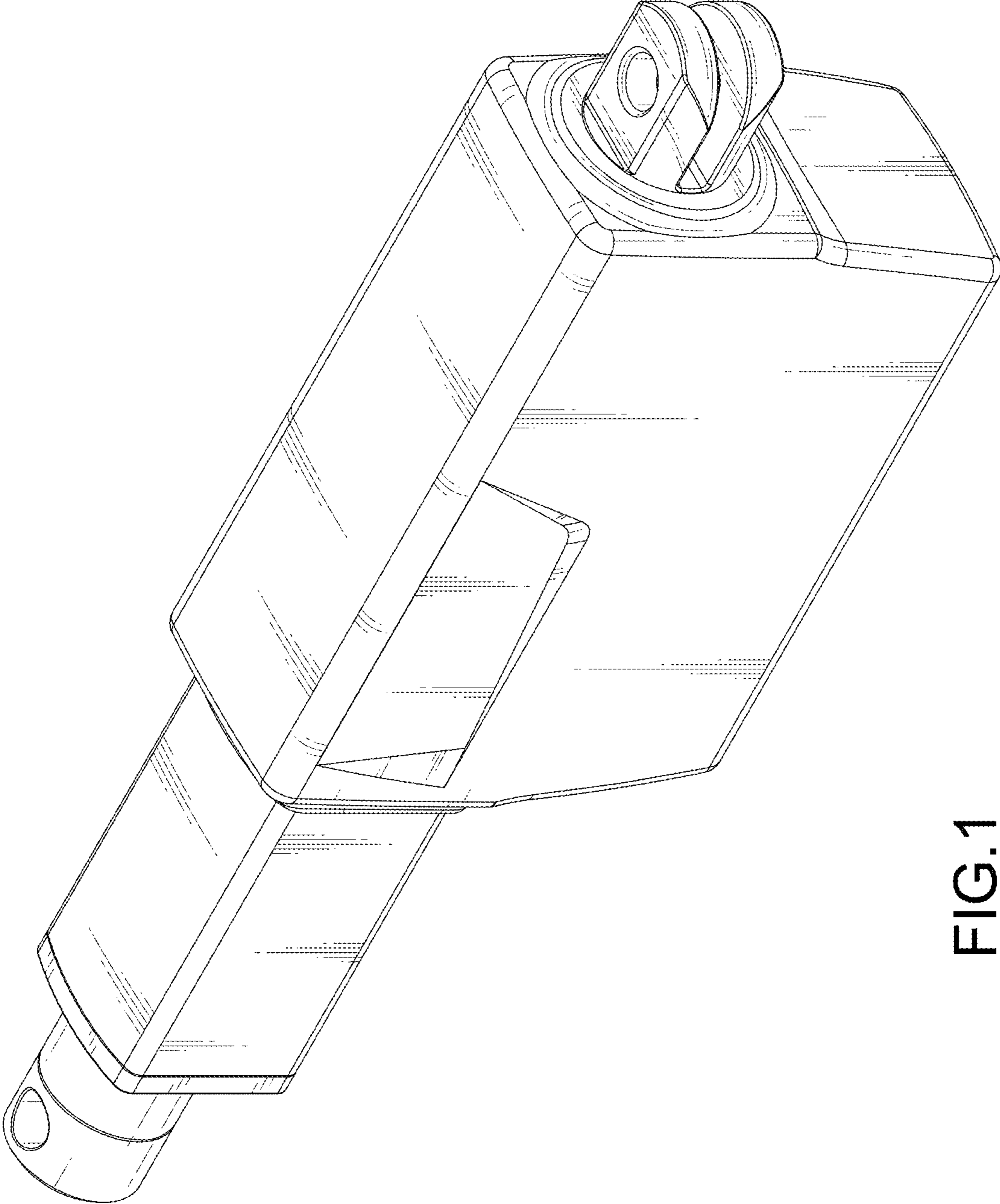


FIG. 1

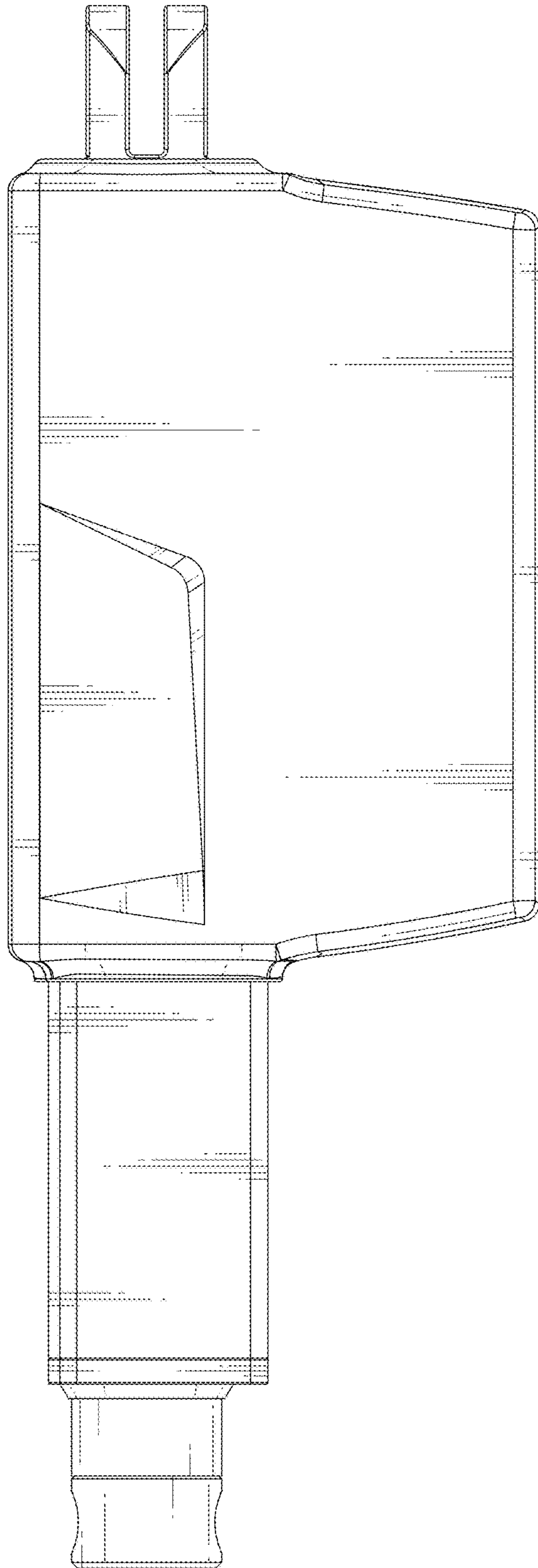


FIG.2

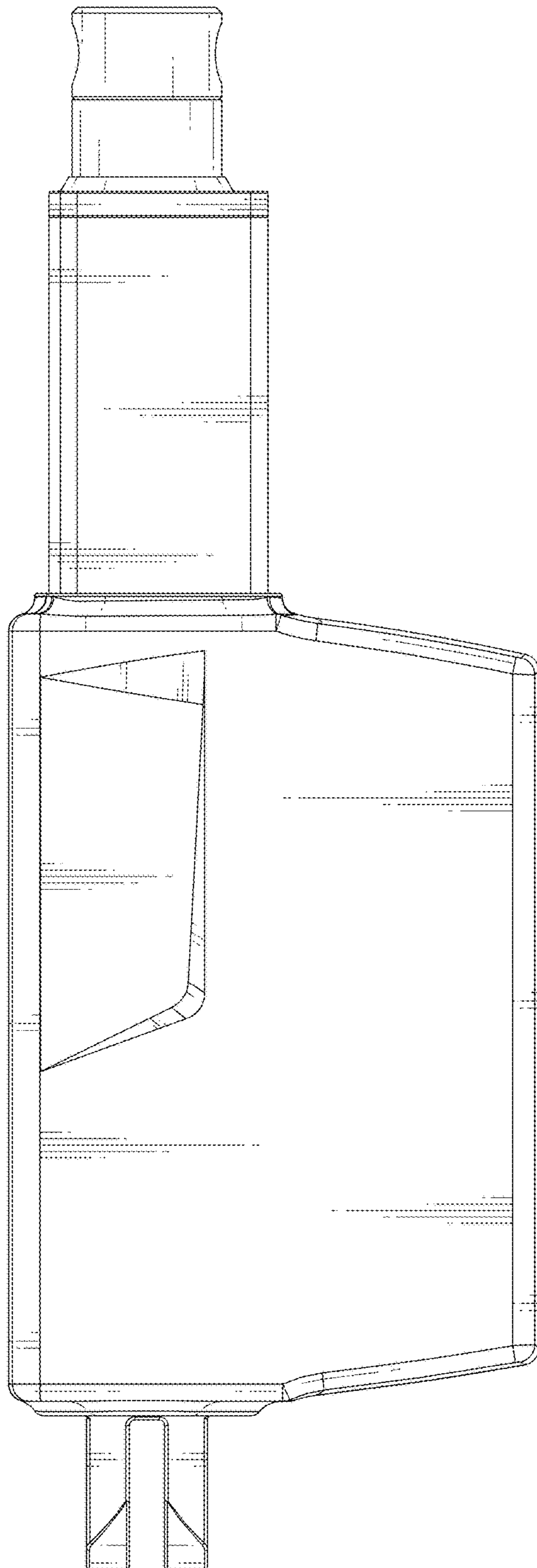


FIG. 3

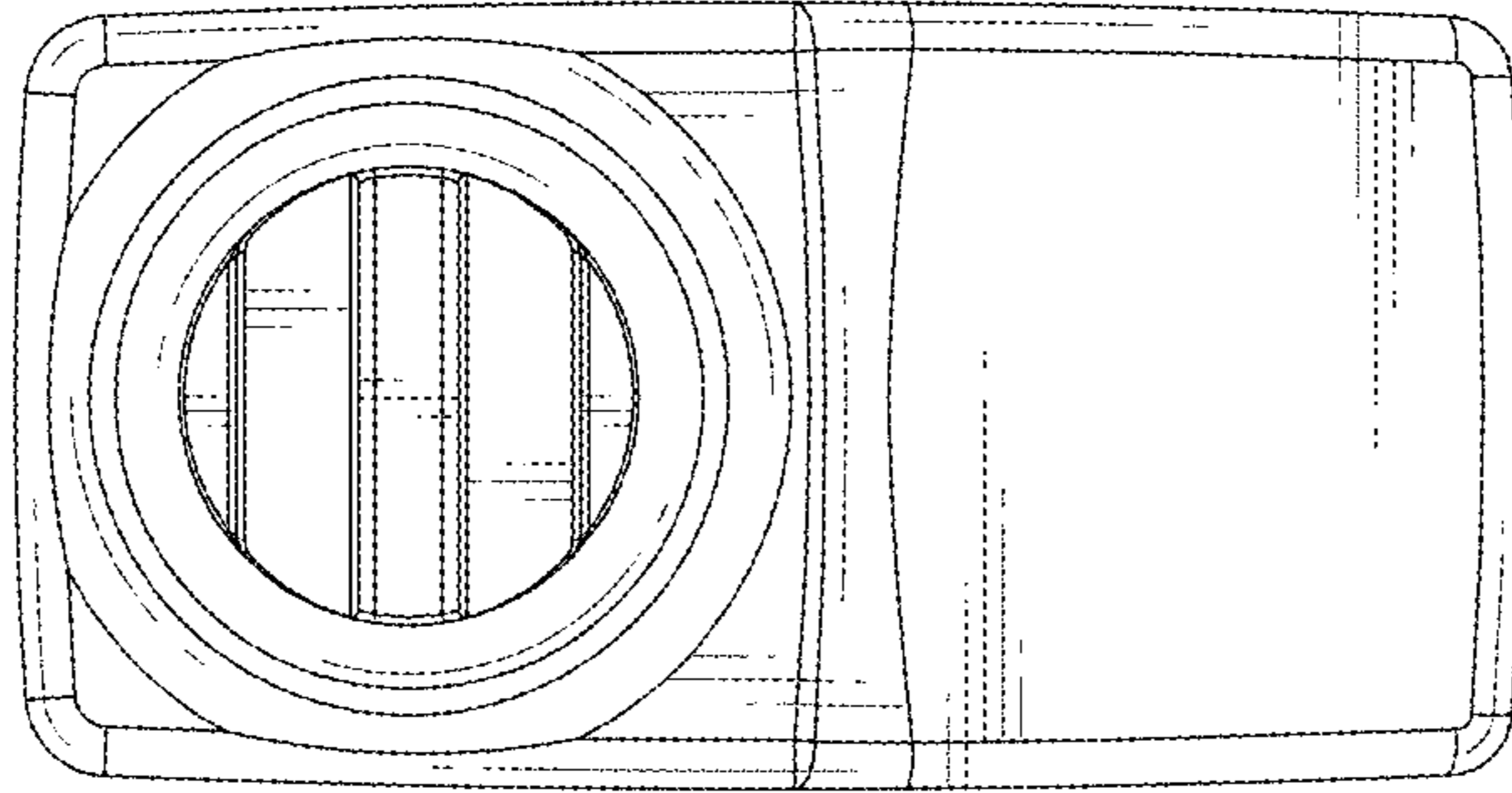


FIG.5

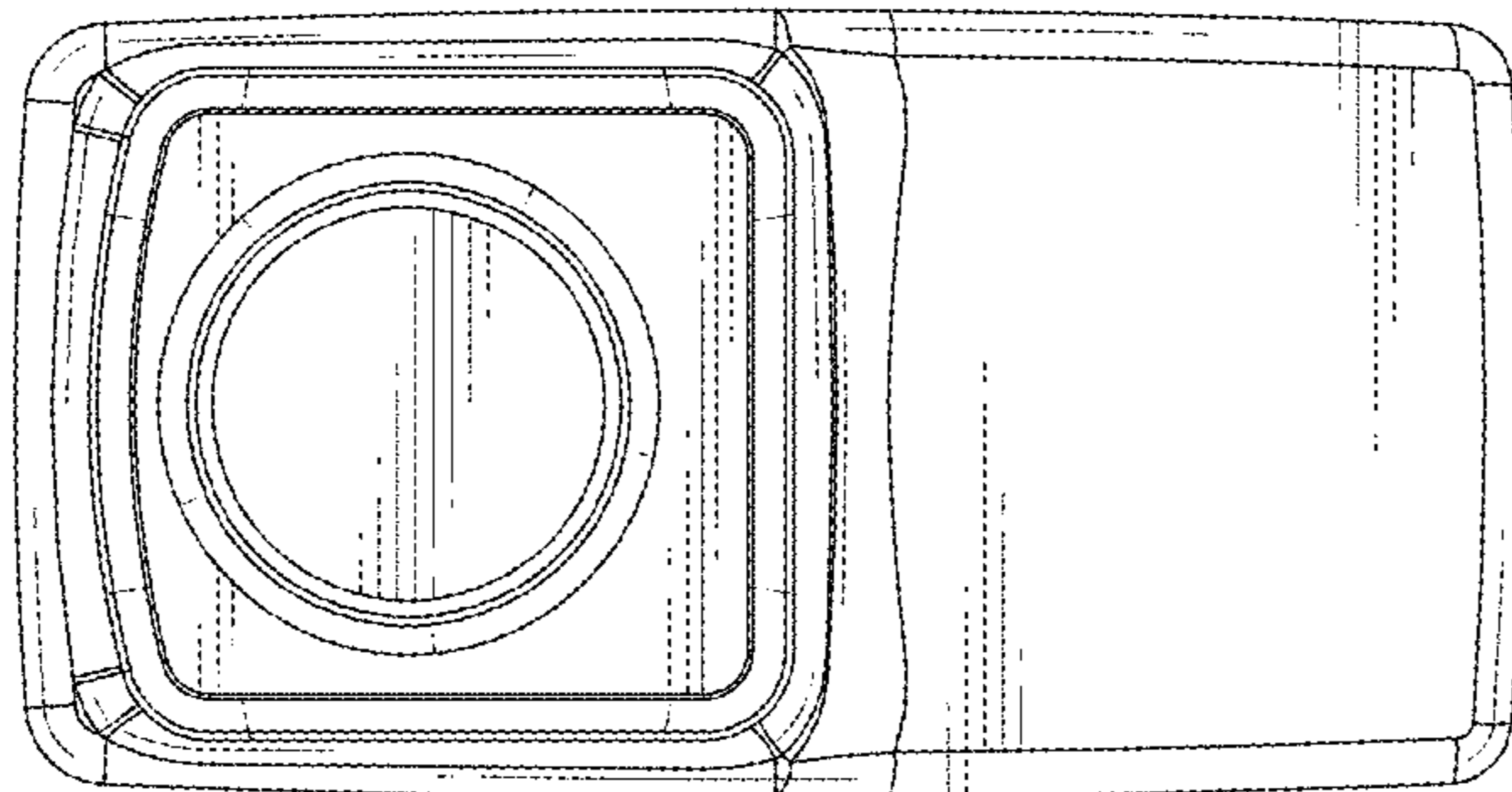


FIG.4

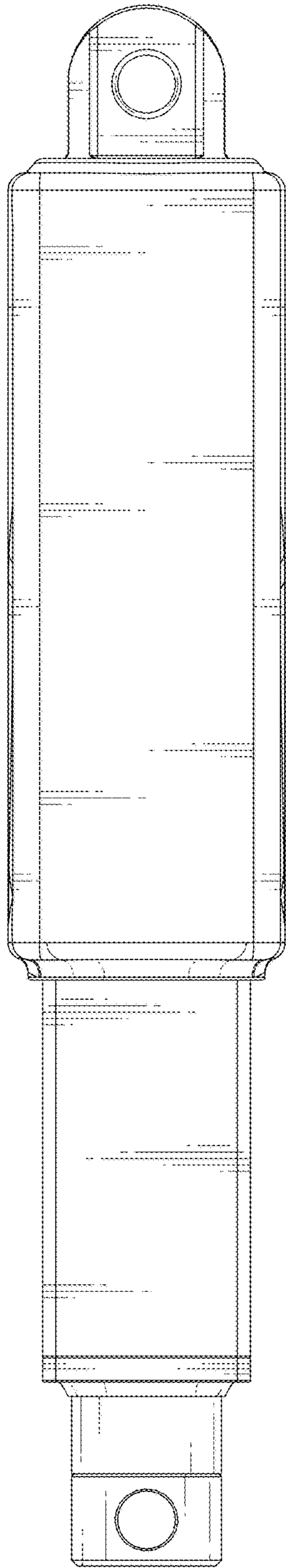


FIG.6

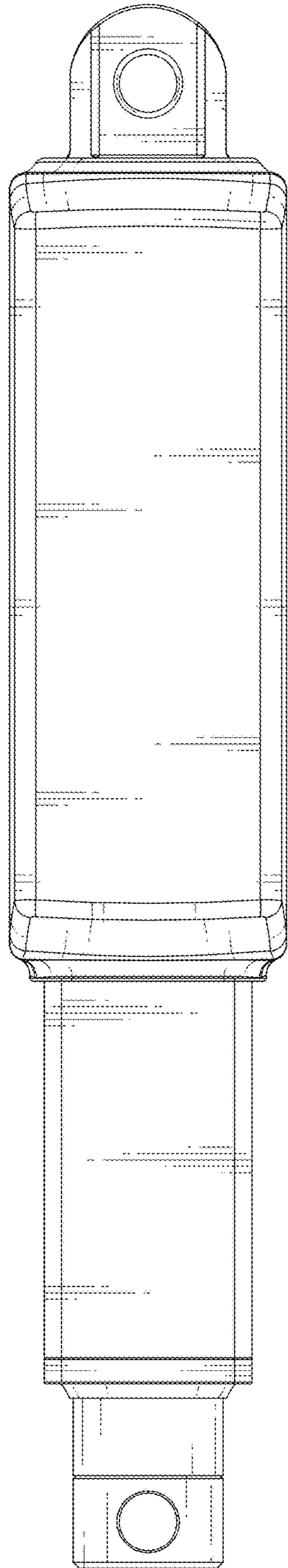


FIG.7

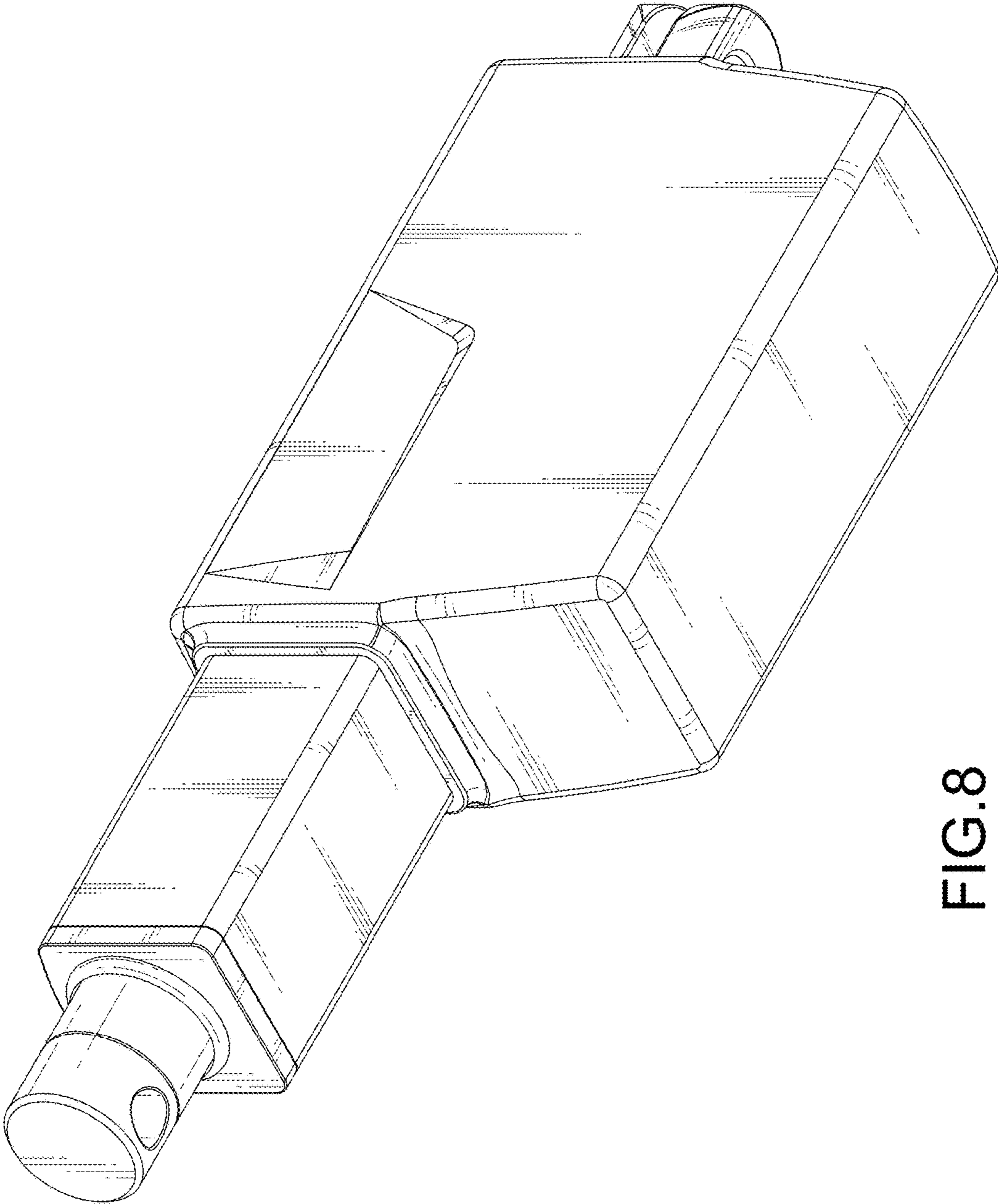


FIG.8