



US00D809035S

(12) **United States Design Patent**
Sheh et al.

(10) **Patent No.:** **US D809,035 S**
(45) **Date of Patent:** **** Jan. 30, 2018**

(54) **IGNITION TIP**

(71) Applicant: **IZZY INDUSTRIES INC.**, Pembroke, NH (US)

(72) Inventors: **William Sheh**, Torrance, CA (US);
William S. Meyer, Torrance, CA (US)

(73) Assignee: **IZZY INDUSTRIES INC.**, Pembroke, NH (US)

(**) Term: **15 Years**

(21) Appl. No.: **29/562,884**

(22) Filed: **Apr. 29, 2016**

(51) **LOC (11) Cl.** **15-09**

(52) **U.S. Cl.**
USPC **D15/144.2**

(58) **Field of Classification Search**
USPC D10/46; D15/144, 144.1, 144.2
CPC B23K 3/02; B23K 3/021; B23K 3/022;
B23K 3/023; B23K 3/024; B23K 3/025;
B23K 3/026; B23K 3/027; B23K 3/028;
B23K 3/029; B23K 3/03; B23K 3/0307;
B23K 3/0315; B23K 3/0323; B23K
3/033; B23K 3/0338; B23K 3/0346;
B23K 3/0353; B23K 3/0361; B23K
3/0369; B23K 3/0376; B23K 3/0384;
B23K 3/0392

See application file for complete search history.

(56) **References Cited**

U.S. PATENT DOCUMENTS

4,649,613 A * 3/1987 Bednarik B23K 11/3072
29/253
D797,826 S * 9/2017 Alfaro D15/144

OTHER PUBLICATIONS

Zach Morley, "ELIG Electronic Ignition System", Aug. 2, 2016.

* cited by examiner

Primary Examiner — Antoine Duval Davis

(74) *Attorney, Agent, or Firm* — Preti Flaherty Beliveau & Pachios LLP

(57) **CLAIM**

The ornamental design for an ignition tip, as shown and described.

DESCRIPTION

FIG. 1 is a top-left perspective view of an ignition tip in accordance with the design;

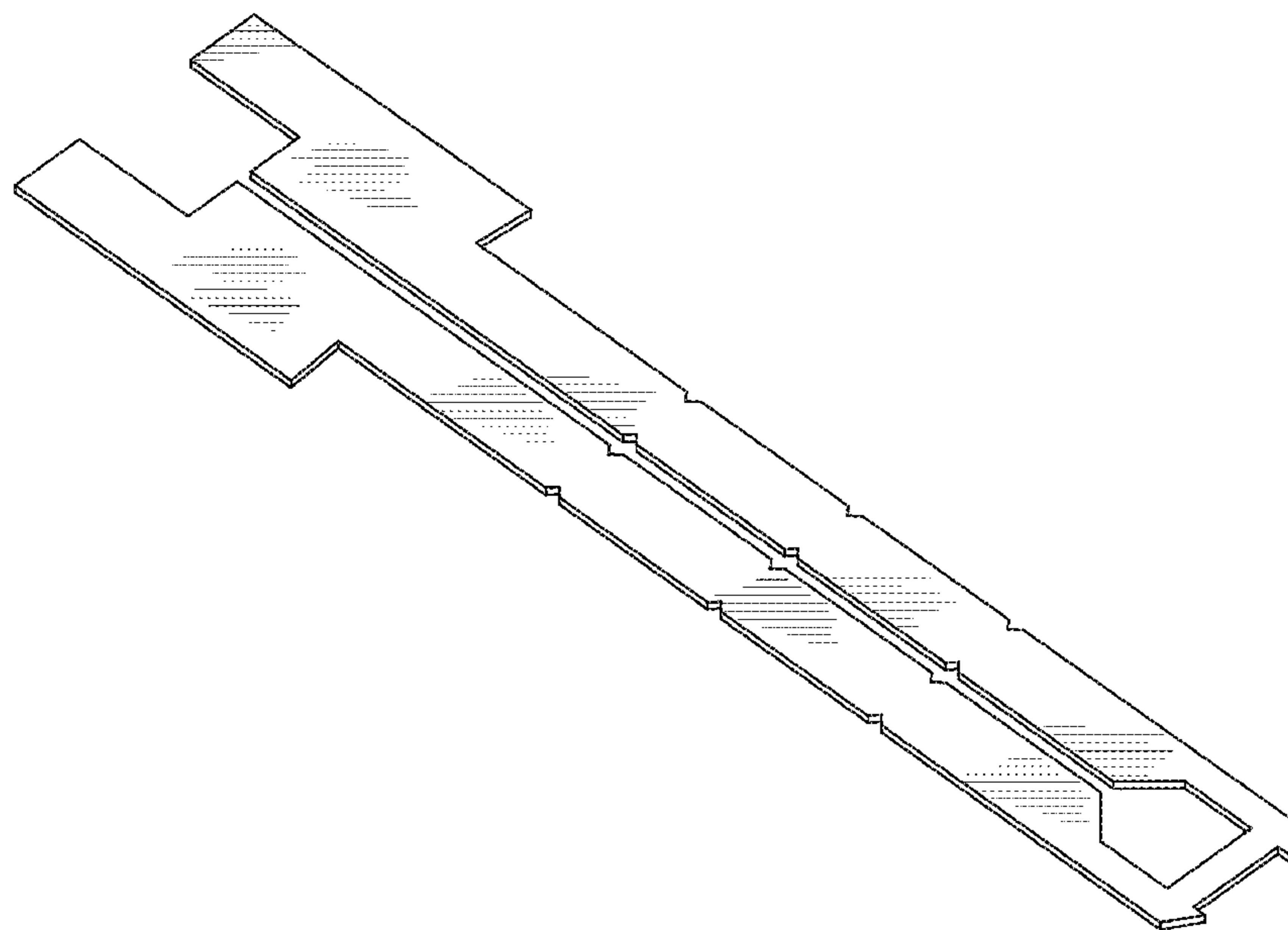
FIG. 2 is a top view of an ignition tip in accordance with the design, the bottom view being identical;

FIG. 3 is a left-side view of an ignition tip in accordance with the design, the right-side view being a reciprocal of the left-side view;

FIG. 4 is a front view of an ignition tip in accordance with the design; and,

FIG. 5 is a back view of an ignition tip in accordance with the design.

1 Claim, 2 Drawing Sheets



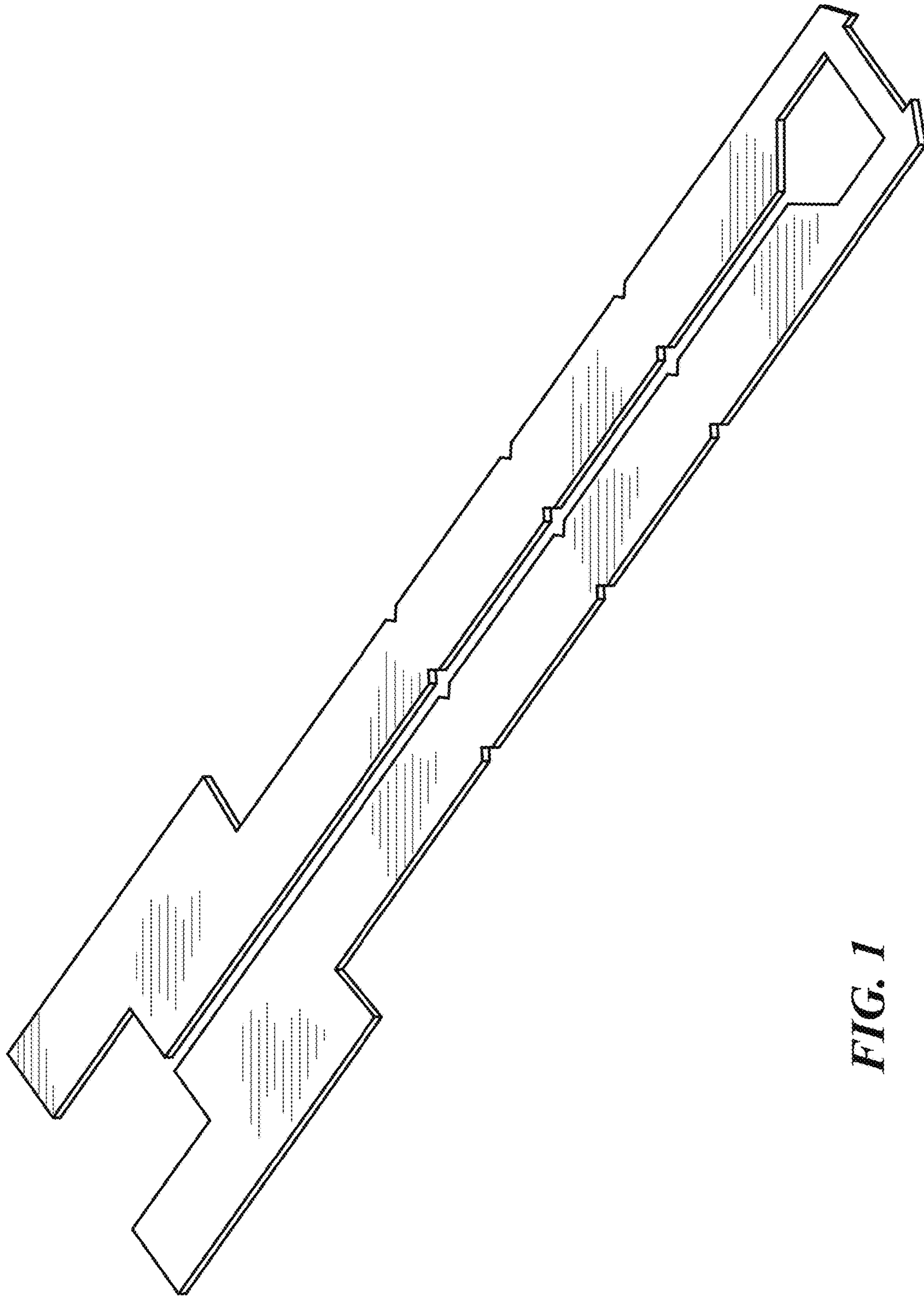


FIG. 1

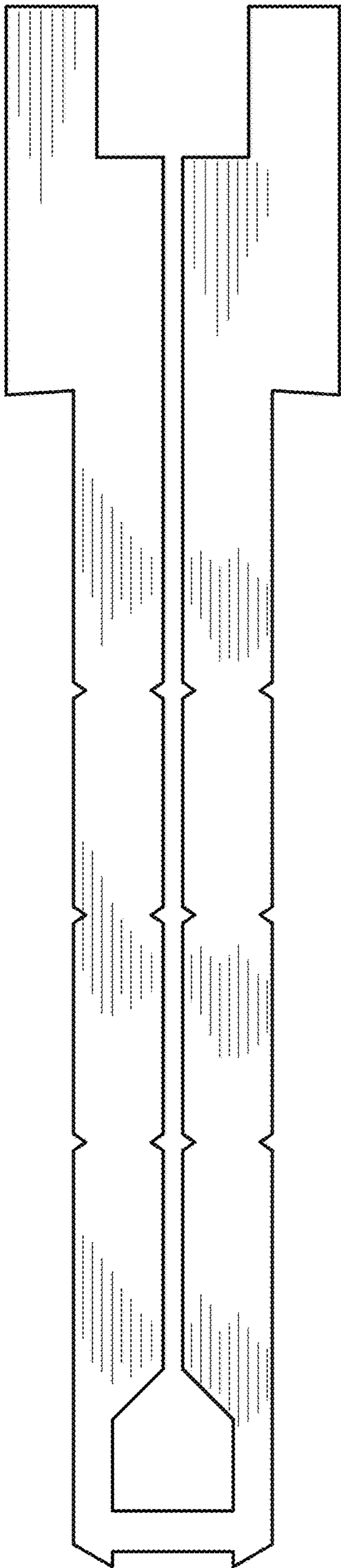


FIG. 2



FIG. 3

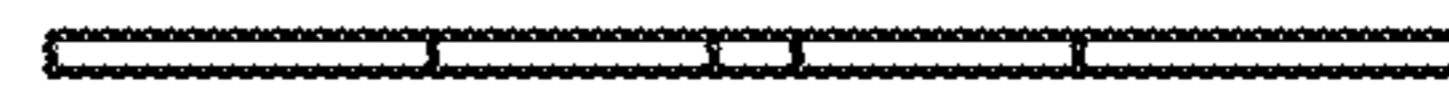


FIG. 4



FIG. 5