



US00D809034S

(12) **United States Design Patent**
Rola et al.

(10) **Patent No.:** **US D809,034 S**
(45) **Date of Patent:** **** Jan. 30, 2018**

(54) **WELDING WIRE BUFFER**
(71) Applicant: **Fronius International GmbH**,
Pettenbach (AT)
(72) Inventors: **Maximilian Rola**, Wartberg an der
Krems (AT); **Christoph Fuereder**,
Gunskirchen (AT); **Christian Stumpfl**,
Wallern an der Trattnach (AT);
Wolfgang Oberroither, Meggenhofen
(AT)
(73) Assignee: **Fronius International GmbH**,
Pettenbach (AT)

(**) Term: **15 Years**
(21) Appl. No.: **29/598,318**
(22) Filed: **Mar. 24, 2017**

(30) **Foreign Application Priority Data**
Sep. 26, 2016 (EM) 003395219-0004
(51) **LOC (11) Cl.** **15-09**
(52) **U.S. Cl.**
USPC **D15/144**
(58) **Field of Classification Search**
USPC D8/29.1, 30, 123, 133; D15/144, 144.1,
D15/144.2
CPC B23K 9/32; B23K 9/028; B23K 9/133;
B23K 9/1006; B23K 9/1333; B23K
9/1336; B23K 9/1735; B23K 11/28;
B23K 37/053
See application file for complete search history.

(56) **References Cited**
U.S. PATENT DOCUMENTS
2,986,208 A * 5/1961 Aciego F23Q 2/48
431/276
3,035,155 A * 5/1962 Hawk B23K 9/282
219/139

4,168,406 A * 9/1979 Torrani B23K 9/1336
219/125.12
4,328,412 A * 5/1982 Watanabe B23K 37/02
219/121.11
4,845,330 A * 7/1989 Gaudin B23K 9/0288
219/60 A
6,286,748 B1 * 9/2001 Cooper B23K 9/1336
219/130.1
D520,539 S * 5/2006 Di Miceli D15/144
8,328,070 B1 * 12/2012 Burns B23K 9/124
228/41
D700,143 S * 2/2014 Ichio D13/120
D778,838 S * 2/2017 Dobler D13/133
D791,081 S * 7/2017 Ishiguro D13/133
D795,193 S * 8/2017 Huang D13/133
2005/0040202 A1 * 2/2005 Kerekes B23K 9/12
226/186
2007/0164074 A1 * 7/2007 Schorghuber B23K 9/133
226/108
2008/0073331 A1 * 3/2008 Schafer B23K 9/1336
219/137.7
2008/0217314 A1 * 9/2008 Wells B23K 9/122
219/145.1

(Continued)

Primary Examiner — Patricia A Palasik
(74) *Attorney, Agent, or Firm* — Collard & Roe, P.C.

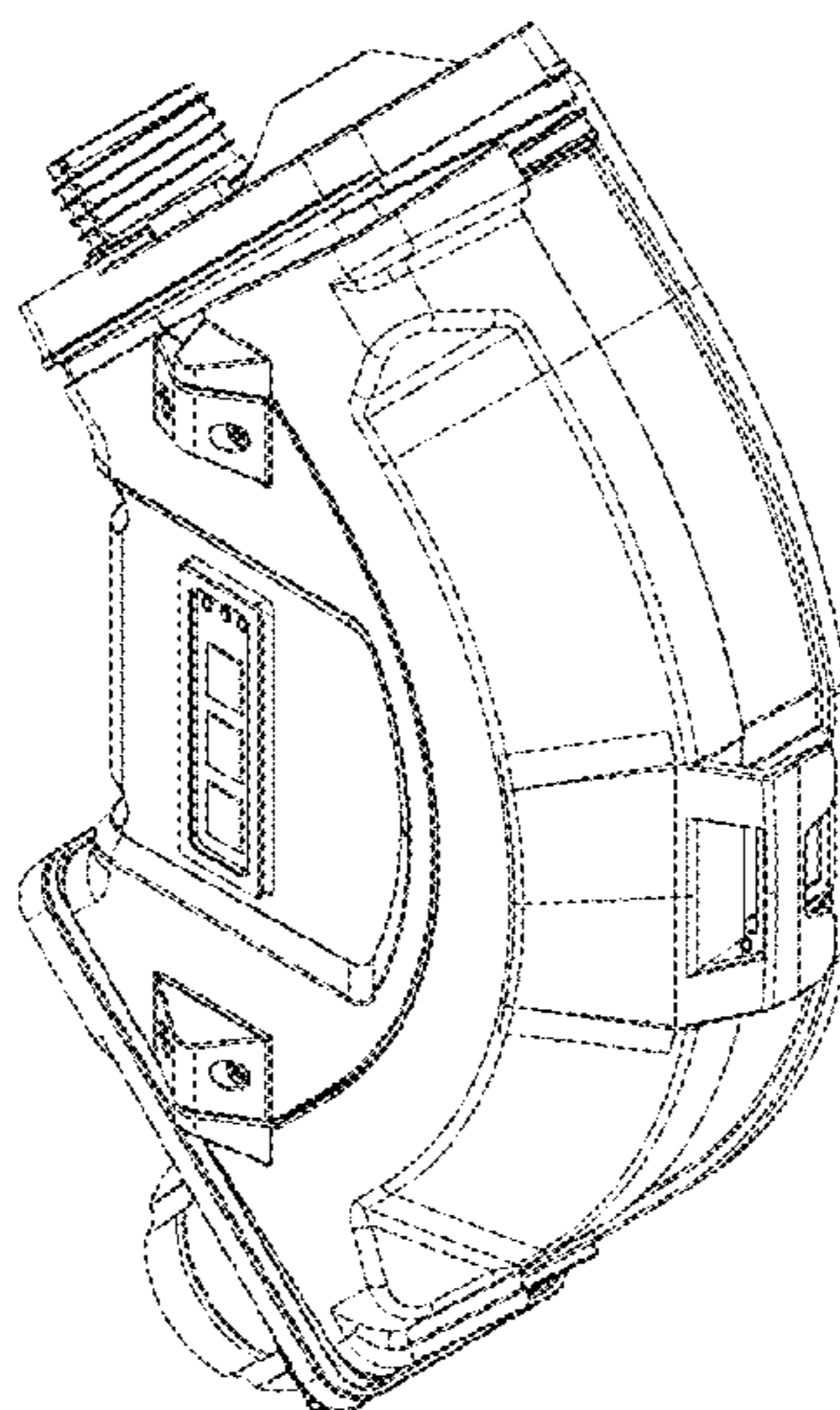
(57) **CLAIM**

The ornamental design for a welding wire buffer, as shown and described.

DESCRIPTION

FIG. 1 is a right side and rear perspective view of a welding wire buffer, showing our new design;
FIG. 2 is a right side view thereof;
FIG. 3 is a left side view thereof;
FIG. 4 is a top view thereof;
FIG. 5 is a bottom view thereof;
FIG. 6 is a rear view thereof; and,
FIG. 7 is a front view thereof.

1 Claim, 7 Drawing Sheets



(56)

References Cited

U.S. PATENT DOCUMENTS

2012/0097657	A1 *	4/2012	Gelmetti	B23K 9/133 219/136
2012/0145689	A1 *	6/2012	Hillen	B23K 9/095 219/130.1
2013/0048699	A1 *	2/2013	Fuerlinger	B23K 9/122 228/41
2013/0146575	A1 *	6/2013	Hillen	B23K 9/125 219/137.71
2013/0327750	A1 *	12/2013	Henche	B23K 9/133 219/137.9
2014/0042142	A1 *	2/2014	Gelmetti	B23K 9/122 219/138
2014/0054349	A1 *	2/2014	Lahti	B23K 9/133 226/190
2014/0061277	A1 *	3/2014	Matiash	B23K 9/133 226/188
2014/0131336	A1 *	5/2014	Jacques	B23K 9/323 219/137.63
2015/0174682	A1 *	6/2015	Spiesberger	B23K 9/125 219/137.7
2017/0050258	A1 *	2/2017	Hillen	B23K 9/125
2017/0120398	A1 *	5/2017	Veldsman	B23K 37/003
2017/0138409	A1 *	5/2017	Giese	B23K 9/125

* cited by examiner

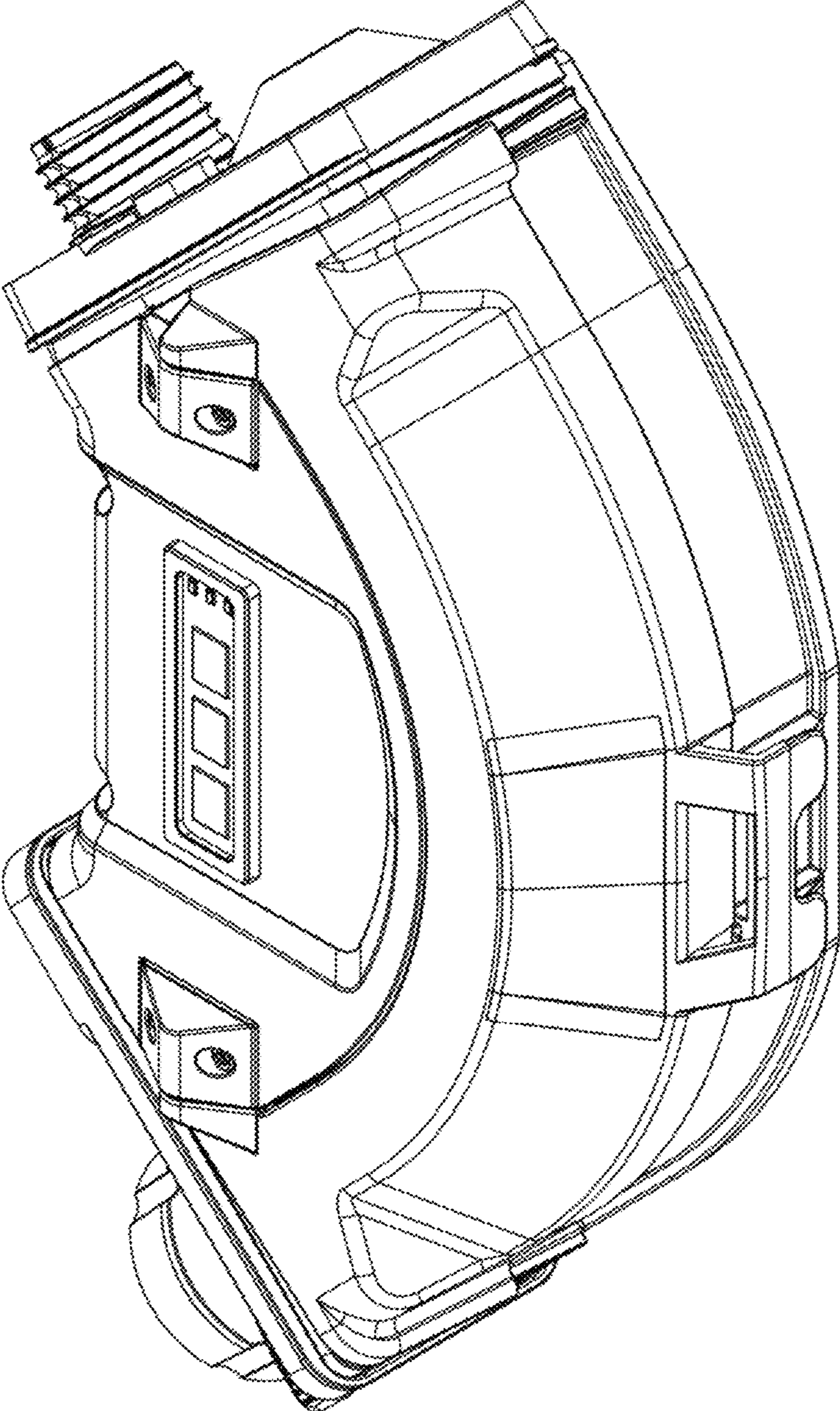


FIG. 1

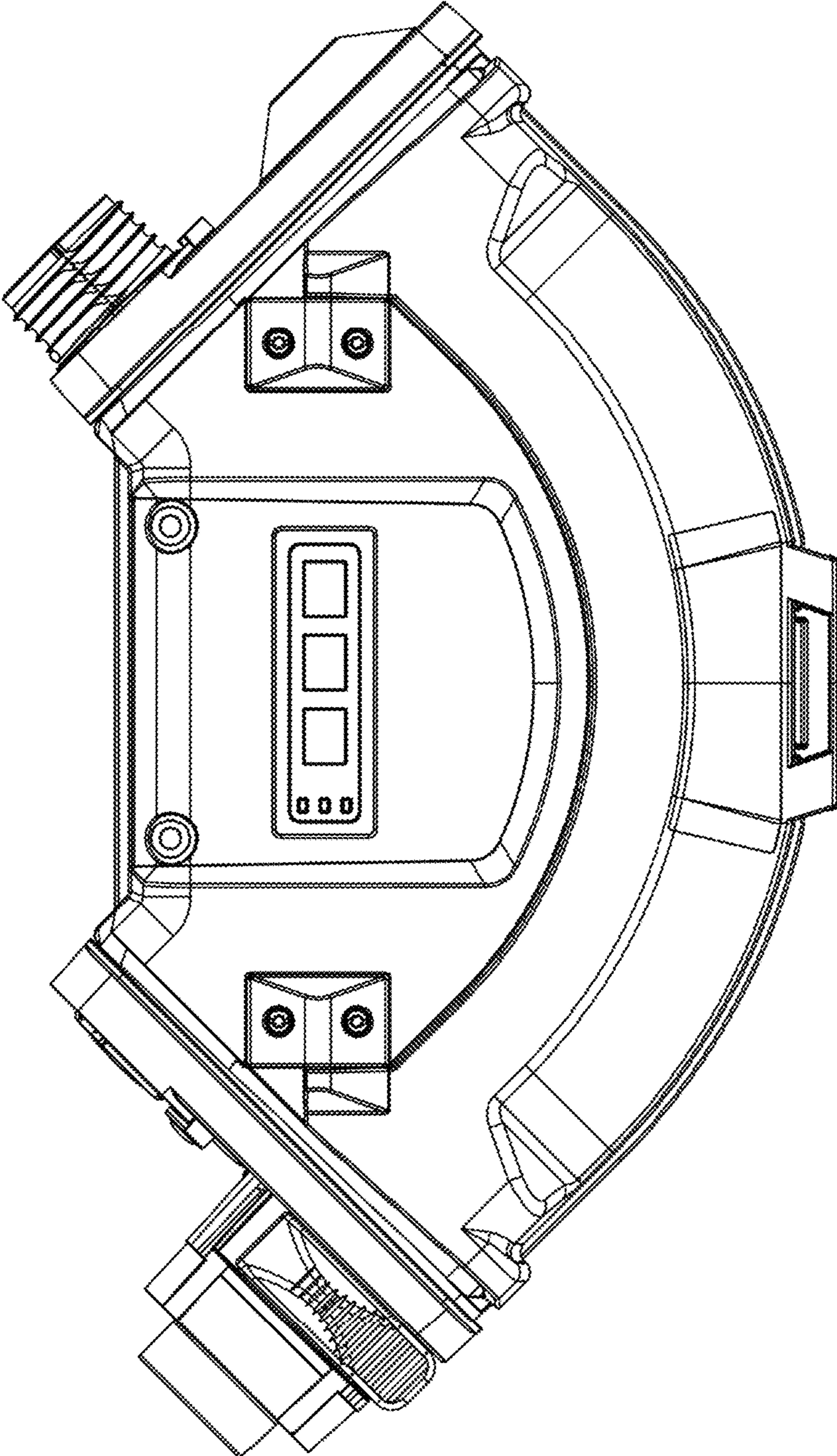


FIG. 2

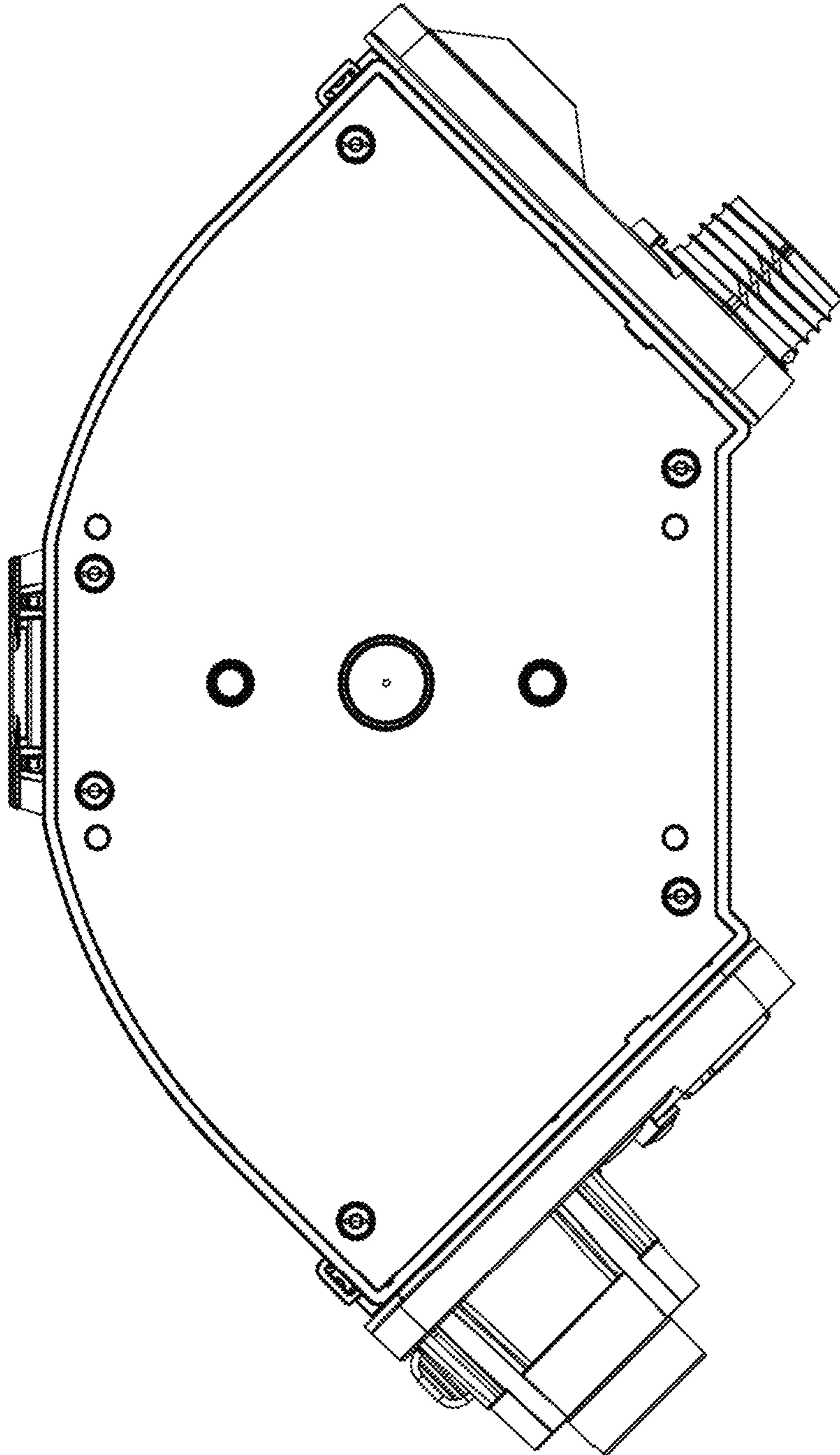


FIG. 3

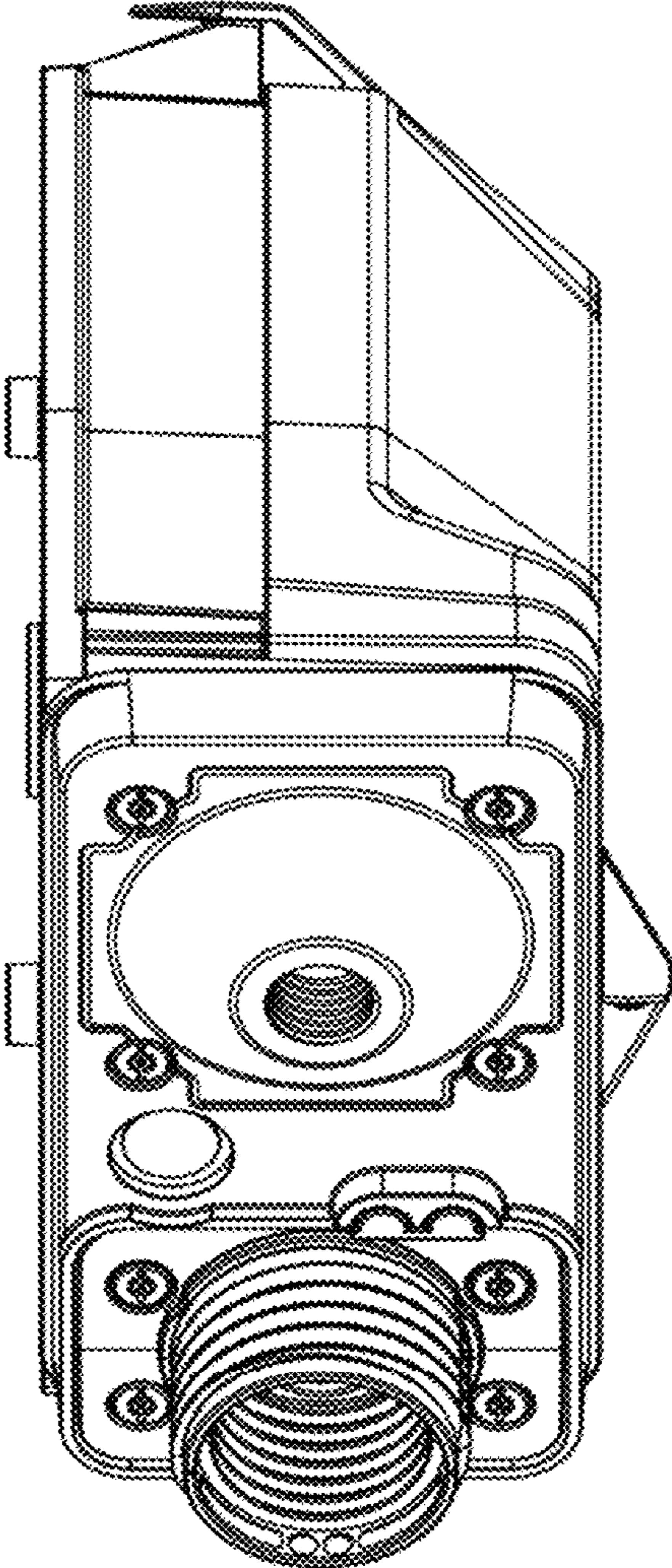


FIG. 4

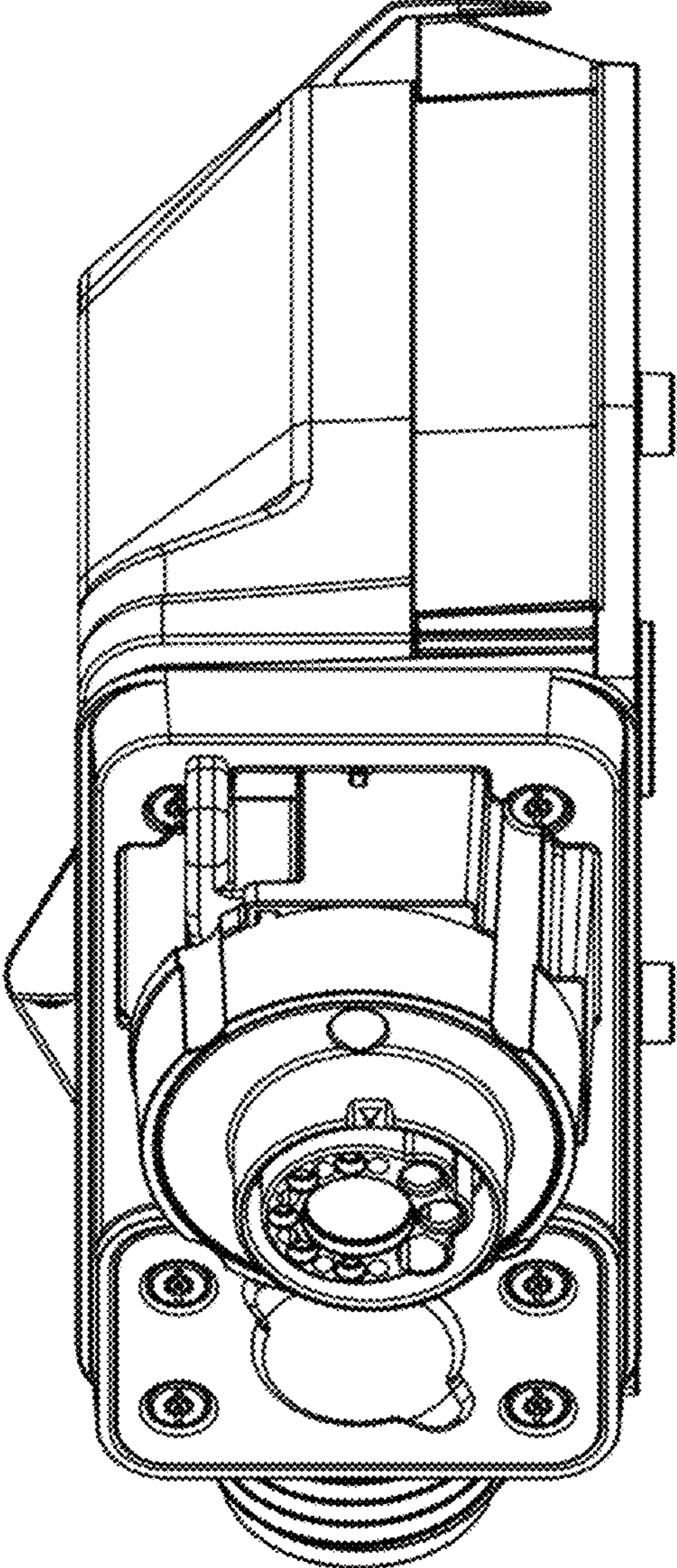


FIG. 5

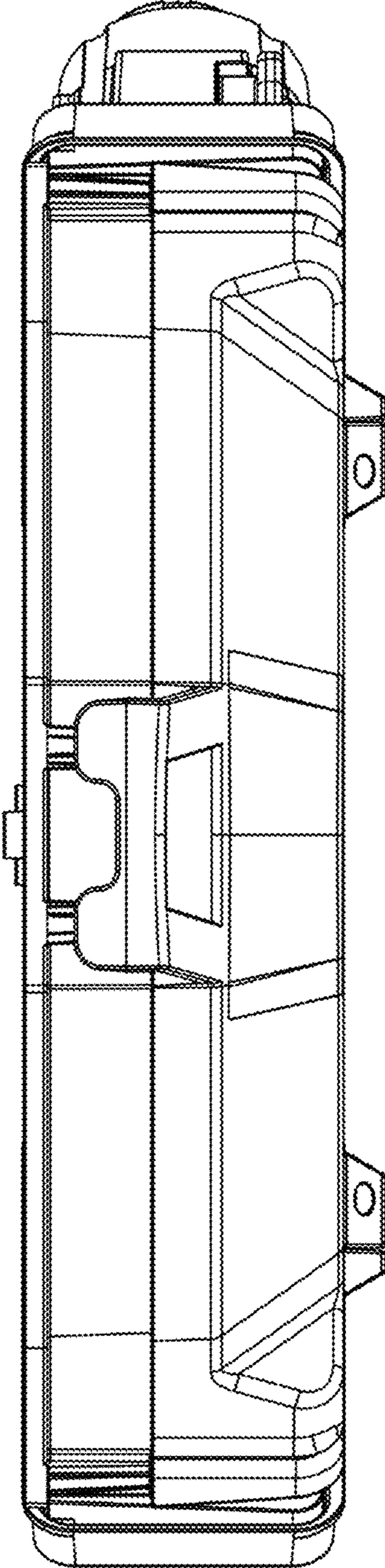


FIG. 6

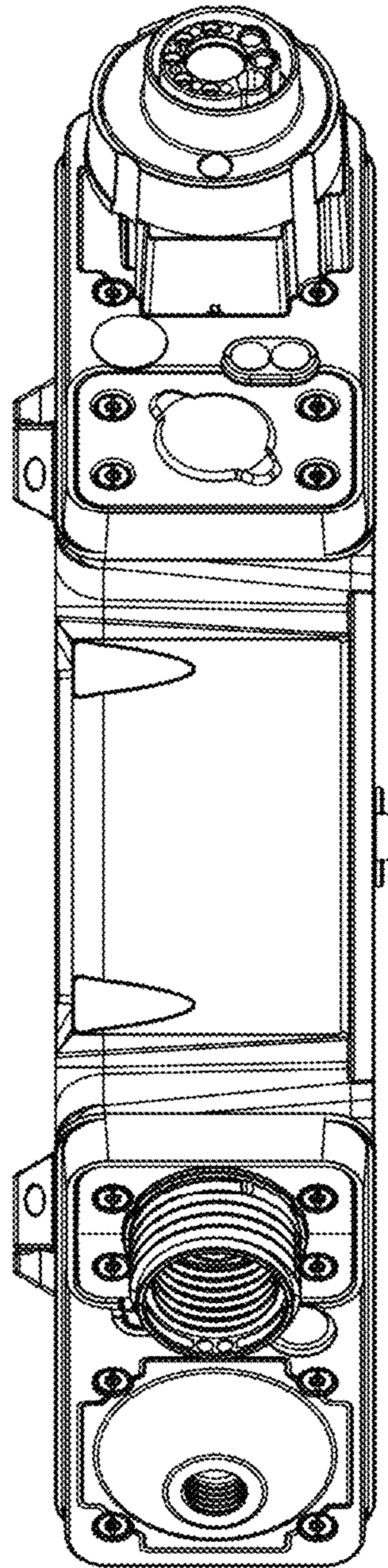


FIG. 7