



US00D809032S

(12) **United States Design Patent**  
**Cummings**

(10) **Patent No.:** **US D809,032 S**

(45) **Date of Patent:** **\*\* Jan. 30, 2018**

(54) **POCKET HOLE JIG**

(71) Applicant: **John Cummings**, South Elgin, IL (US)

(72) Inventor: **John Cummings**, South Elgin, IL (US)

(73) Assignee: **Nomis LLC**, Palatine, IL (US)

(\*\*) Term: **15 Years**

(21) Appl. No.: **29/562,498**

(22) Filed: **Apr. 26, 2016**

(51) **LOC (11) Cl.** ..... **15-09**

(52) **U.S. Cl.**  
USPC ..... **D15/140**

(58) **Field of Classification Search**  
USPC ..... D7/693, 394, 372, 376, 378, 381, 383,  
D7/384, 385; D8/20, 23, 25, 41, 47, 54,  
D8/55, 58, 61, 64, 66, 70, 86, 98, 99,  
D8/352, 366, 376, 387, 397; D15/19, 21,  
D15/29, 121, 131, 132, 133, 138, 139,  
D15/140

CPC .... B25D 3/00; B25D 17/02; B25D 2250/111;  
B25D 2211/003; B25D 16/00; E21B  
10/52; E21B 10/16; E21B 10/567; C03B  
23/047; C03B 23/0496

See application file for complete search history.

(56) **References Cited**

**U.S. PATENT DOCUMENTS**

4,955,766	A	9/1990	Sommerfeld	
D350,548	S	9/1994	Bosten et al.	
5,375,636	A	12/1994	Bosten et al.	
5,407,307	A	4/1995	Park	
5,676,500	A	10/1997	Sommerfeld	
5,791,835	A	8/1998	Chiang et al.	
6,481,937	B1	11/2002	Sommerfeld et al.	
D481,402	S *	10/2003	Jenkins	D15/140
6,637,988	B1	10/2003	Park	
6,659,695	B2	12/2003	Park	
6,726,411	B2	4/2004	Sommerfeld et al.	

D503,415	S *	3/2005	Dembicks	D15/140
D528,930	S *	9/2006	Degen	D10/65
7,134,814	B1	11/2006	Park	
D533,571	S *	12/2006	Degen	D15/140
D538,622	S *	3/2007	Jones	D8/74

(Continued)

**FOREIGN PATENT DOCUMENTS**

EP	1595627	B1	4/2005
EP	1862242	A2	12/2007

(Continued)

**OTHER PUBLICATIONS**

<https://www.milescraft.com/wp-content/uploads/2017/05/M1321M.pdf>—Created Mar. 14, 2017.\*

(Continued)

*Primary Examiner* — Ian Simmons  
*Assistant Examiner* — Mojtaba Tehrani  
(74) *Attorney, Agent, or Firm* — Reinhart Boerner Van Deuren P.C.

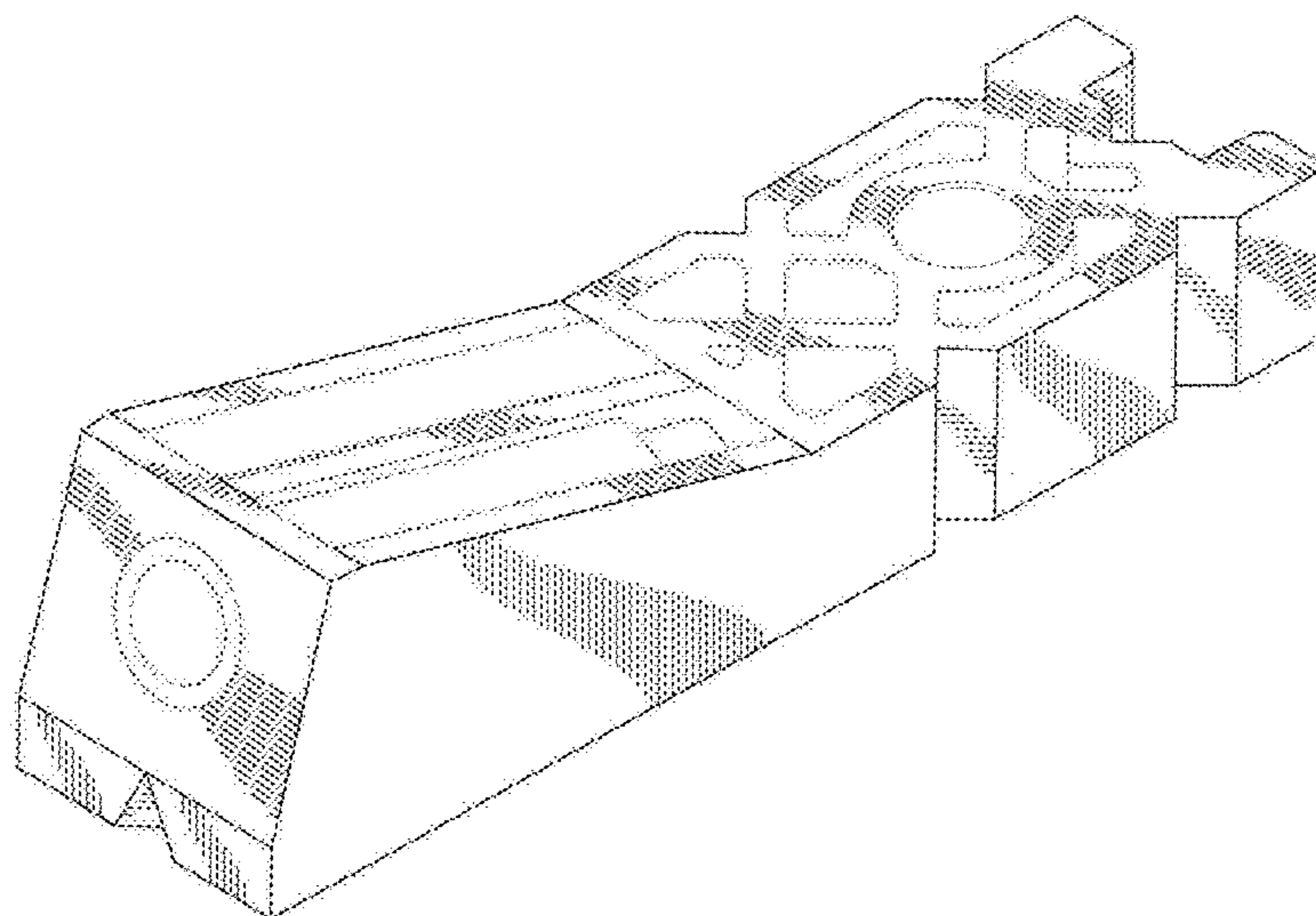
(57) **CLAIM**

I claim the ornamental design for a pocket hole jig, as shown and described.

**DESCRIPTION**

FIG. 1 is a perspective view of the pocket hole jig;  
FIG. 2 is a top view thereof;  
FIG. 3 is a bottom view thereof;  
FIG. 4 is a side view thereof;  
FIG. 5 is a side view thereof showing the side opposite that shown in FIG. 4;  
FIG. 6 is a rear view thereof; and,  
FIG. 7 is a front view thereof.  
The broken lines in the figures represent unclaimed environment only and form no part of the claimed design.

**1 Claim, 6 Drawing Sheets**



(56)

References Cited

U.S. PATENT DOCUMENTS

D567,269 S \* 4/2008 Netzler ..... D15/140  
 7,374,373 B1 5/2008 Park  
 7,484,914 B1 2/2009 Weinstein et al.  
 D590,684 S \* 4/2009 Budzik ..... D15/138  
 7,597,513 B2 10/2009 Chiang  
 7,641,424 B1 1/2010 Sommerfeld et al.  
 7,641,425 B2 1/2010 Sommerfeld et al.  
 7,670,089 B2 \* 3/2010 Chiang ..... B23B 47/287  
 408/115 R  
 7,798,750 B2 \* 9/2010 Clark ..... B23B 47/287  
 408/103  
 7,811,033 B2 10/2010 Sommerfeld et al.  
 D635,001 S \* 3/2011 Adkins ..... D8/71  
 8,083,443 B1 12/2011 Circosta et al.  
 D653,269 S \* 1/2012 Fischer ..... D15/139  
 8,231,313 B2 7/2012 Sommerfeld et al.  
 2005/0089381 A1 4/2005 Liu et al.  
 2007/0280795 A1 \* 12/2007 McDaniel ..... B23B 47/287  
 408/115 R  
 2007/0280796 A1 \* 12/2007 McDaniel ..... B23B 47/287  
 408/115 R  
 2007/0280797 A1 \* 12/2007 McDaniel ..... B23B 47/287  
 408/115 R  
 2008/0099101 A1 5/2008 Chiang

2008/0187404 A1 \* 8/2008 Chiang ..... B23B 47/287  
 408/115 R  
 2008/0219786 A1 9/2008 Sommerfeld et al.  
 2017/0087644 A1 \* 3/2017 Pelkey ..... B23B 47/287

FOREIGN PATENT DOCUMENTS

EP 1862243 A2 12/2007  
 EP 1862244 A2 12/2007  
 EP 2174737 A1 4/2010  
 EP 2179809 A1 4/2010  
 EP 2179810 A1 4/2010  
 EP 2223761 A1 9/2010  
 EP 2223762 A1 9/2010

OTHER PUBLICATIONS

<https://www.milescraft.com/product/pocketjig100/>—Retrieved Jun. 5, 2017.\*  
 Magnetic Pocket Hole Jig, User Manual, 1 page; known to applicant on or before May 31, 2016.  
 Kreg Jig Mini—Simple; Kreg Jig Mini; pages printed from the internet; date last visited Apr. 27, 2016; 6 pages; “<https://www.kregtool.com/store/> . . . ”.

\* cited by examiner

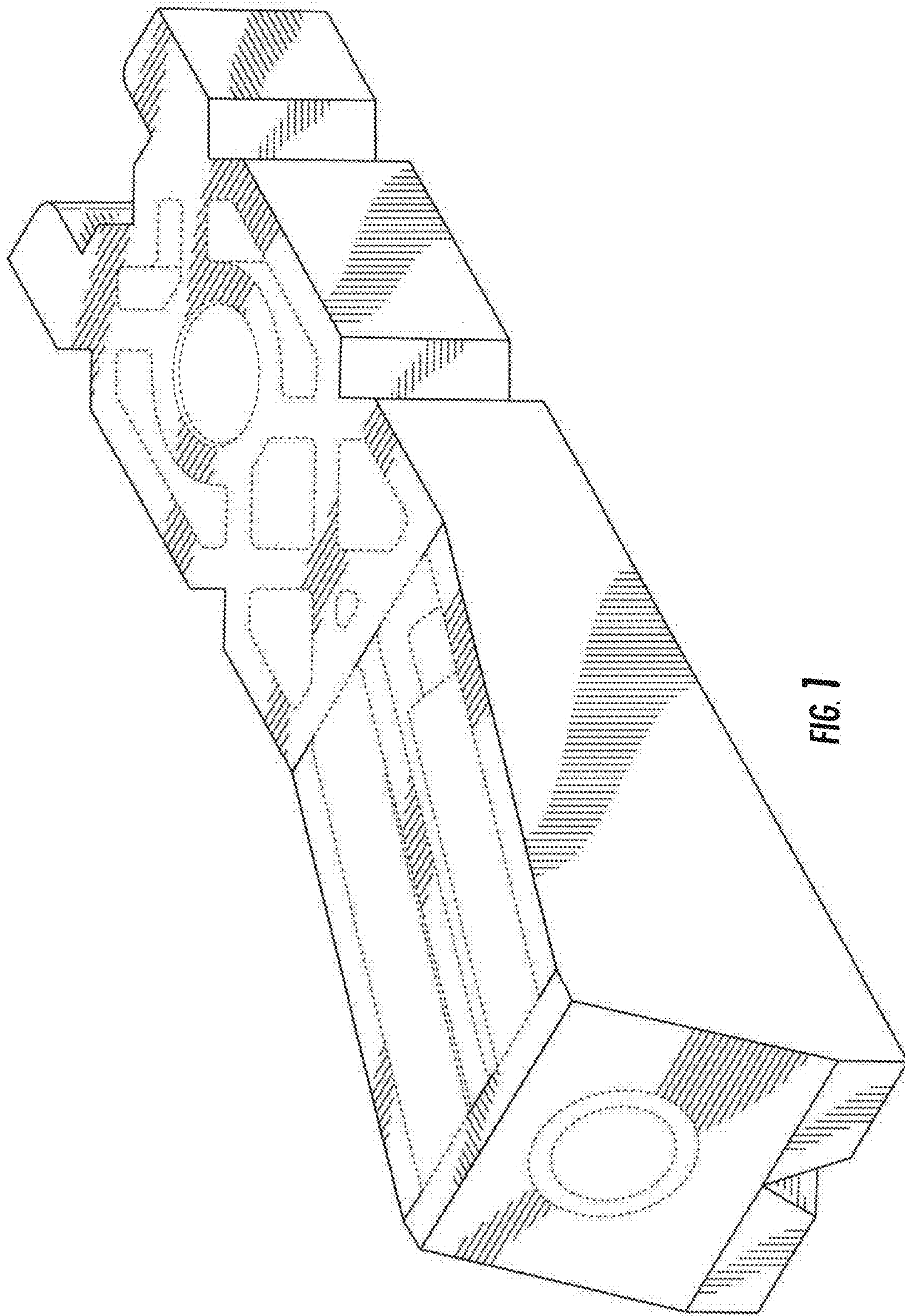


FIG. 1



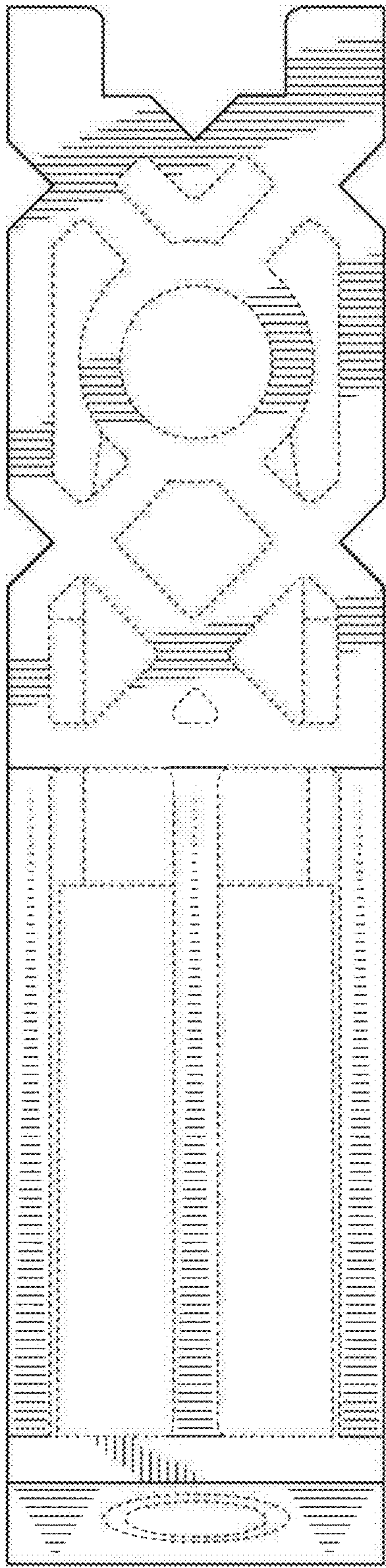


FIG. 2

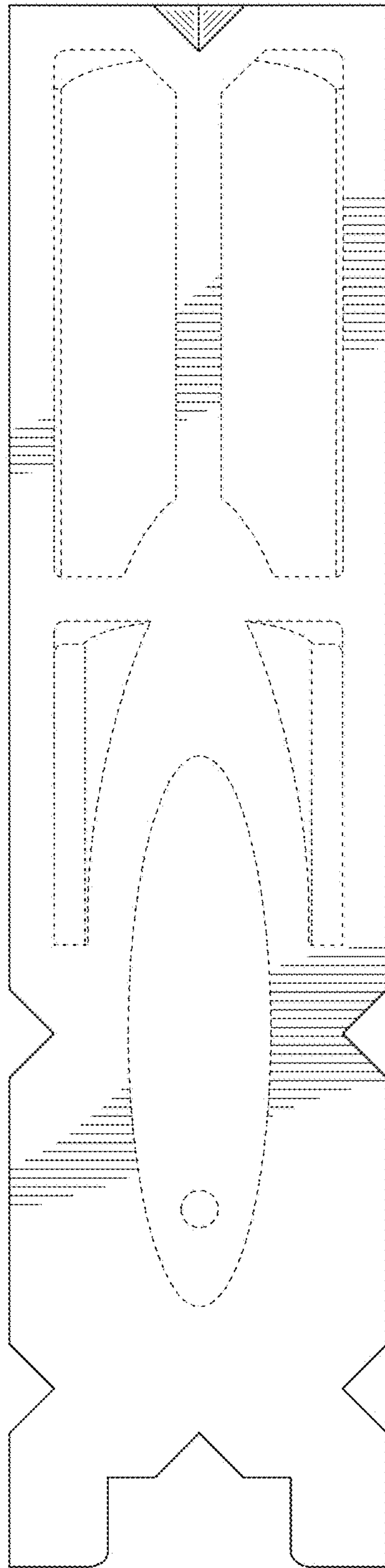


FIG. 3



FIG. 4

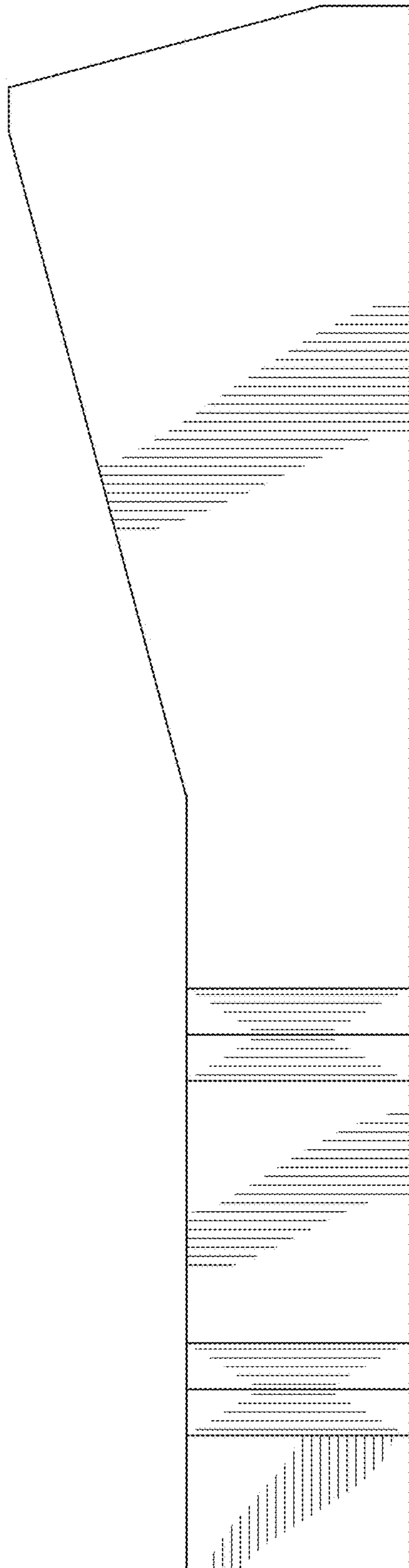


FIG. 5

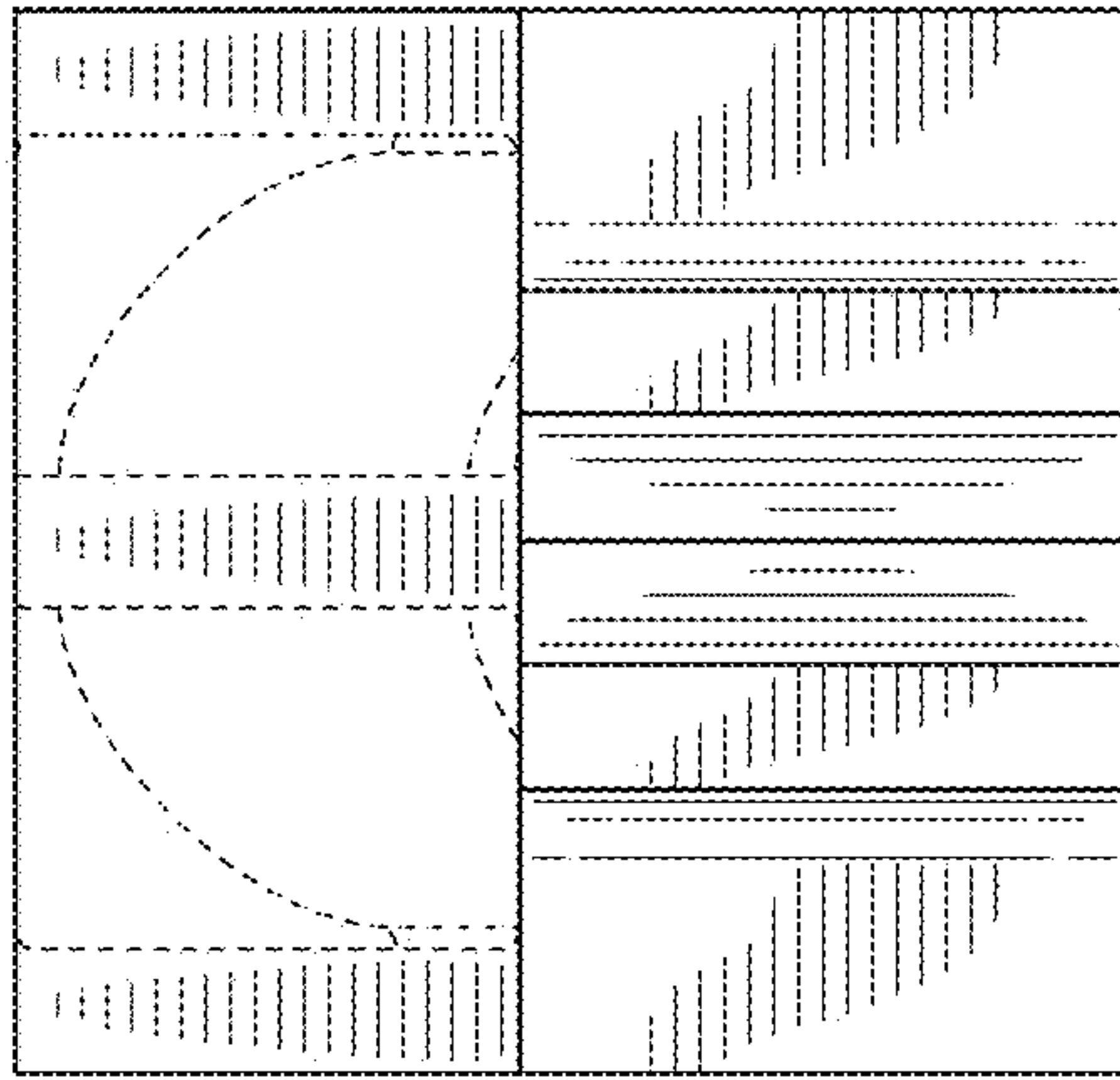


FIG. 6

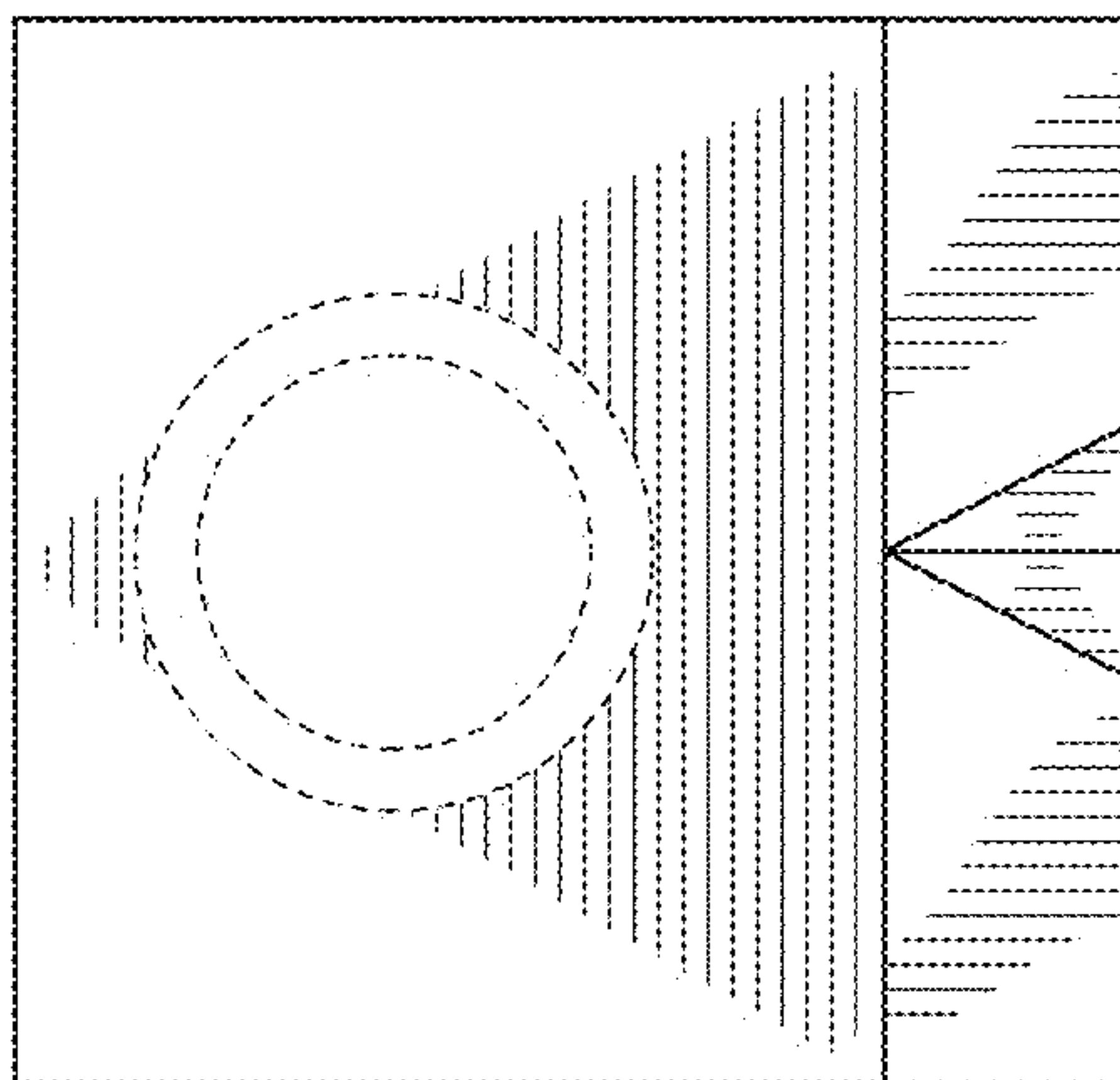


FIG. 7