



US00D809028S

(12) **United States Design Patent**
Imahase

(10) **Patent No.:** **US D809,028 S**
(45) **Date of Patent:** **** Jan. 30, 2018**

(54) **CONTINUOUS CASTING NOZZLE
COUPLER**

(71) Applicant: **KROSAKI HARIMA
CORPORATION**, Fukuoka (JP)

(72) Inventor: **Toshihiro Imahase**, Fukuoka (JP)

(73) Assignee: **KROSAKI HARIMA
CORPORATION**, Fukuoka (JP)

(**) Term: **15 Years**

(21) Appl. No.: **29/535,941**

(22) Filed: **Aug. 12, 2015**

(30) **Foreign Application Priority Data**

Feb. 20, 2015 (JP) 2015-3521

(51) **LOC (11) Cl.** **15-09**

(52) **U.S. Cl.**
USPC **D15/135**

(58) **Field of Classification Search**
USPC D15/130, 135; D8/363-365, 382
CPC ... F16L 37/0985; F16L 37/00; F16L 37/0982;
F16L 37/0987; F16L 37/144; F16L 37/26;
F16L 2201/10; A61M 2039/1016; A61M
2039/1027; A61M 2039/1044; A61M
2039/1094; A61M 39/1011
See application file for complete search history.

(56) **References Cited**

U.S. PATENT DOCUMENTS

D373,074 S * 8/1996 Miyashita D8/382
D392,180 S * 3/1998 Bilow D8/382
D393,417 S * 4/1998 Glickman D8/382
D408,721 S * 4/1999 Sartini D8/363
D416,471 S * 11/1999 Wurdack D8/363

D450,625 S * 11/2001 Khromachou D11/220
D534,417 S * 1/2007 Caruana D8/382
D755,608 S * 5/2016 Lawson D8/354
D758,968 S * 6/2016 El Zakhem D13/122
D762,106 S * 7/2016 Lo D8/349
D762,456 S * 8/2016 Lo D8/349
D770,885 S * 11/2016 Miros D8/382
D782,292 S * 3/2017 Wessel D8/382
D787,173 S * 5/2017 Parnell D3/10
2005/0087981 A1 * 4/2005 Yamada F16L 37/0982
285/81
2010/0301599 A1 * 12/2010 Jensen F16L 37/00
285/308

* cited by examiner

Primary Examiner — Rosemary K Tarca

Assistant Examiner — Nathaniel D. Buckner

(74) *Attorney, Agent, or Firm* — Paul D. Bianco; Gary S. Winer; Fleit Gibbons Gutman Bongini & Bianco PL

(57) **CLAIM**

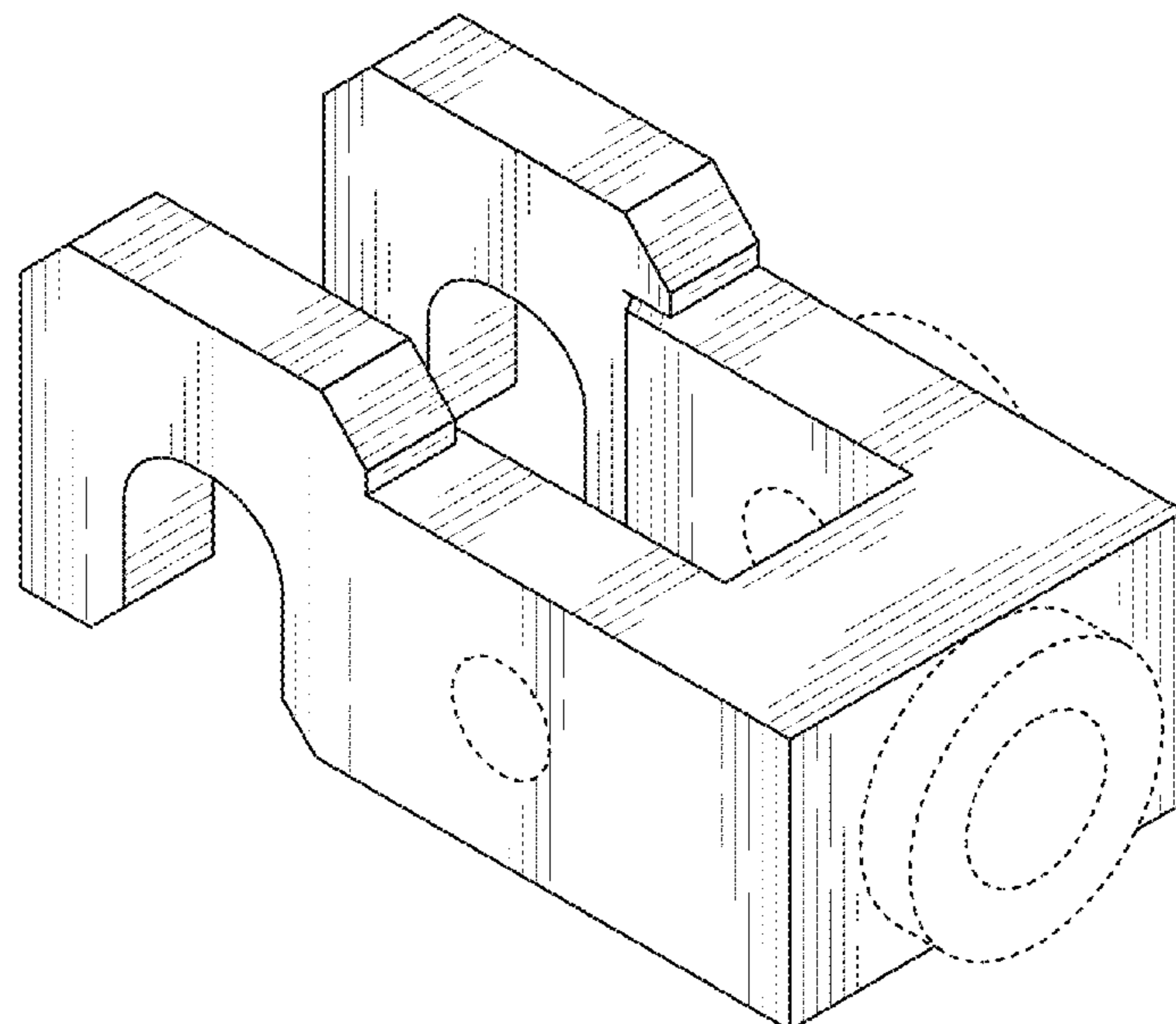
The ornamental design for a continuous casting nozzle coupler, as shown and described.

DESCRIPTION

FIG. 1 is a front view of a continuous casting nozzle coupler, showing my new design;
FIG. 2 is a rear view thereof;
FIG. 3 is a right side view thereof;
FIG. 4 is a left side view thereof;
FIG. 5 is a top plan view thereof;
FIG. 6 is a bottom plan view thereof;
FIG. 7 is a first perspective view thereof;
FIG. 8 is a second perspective view thereof; and,
FIG. 9 is a third perspective view shown in an environment of use.

The broken lines in the figures represent environmental structure which form no part of the claim.

1 Claim, 4 Drawing Sheets



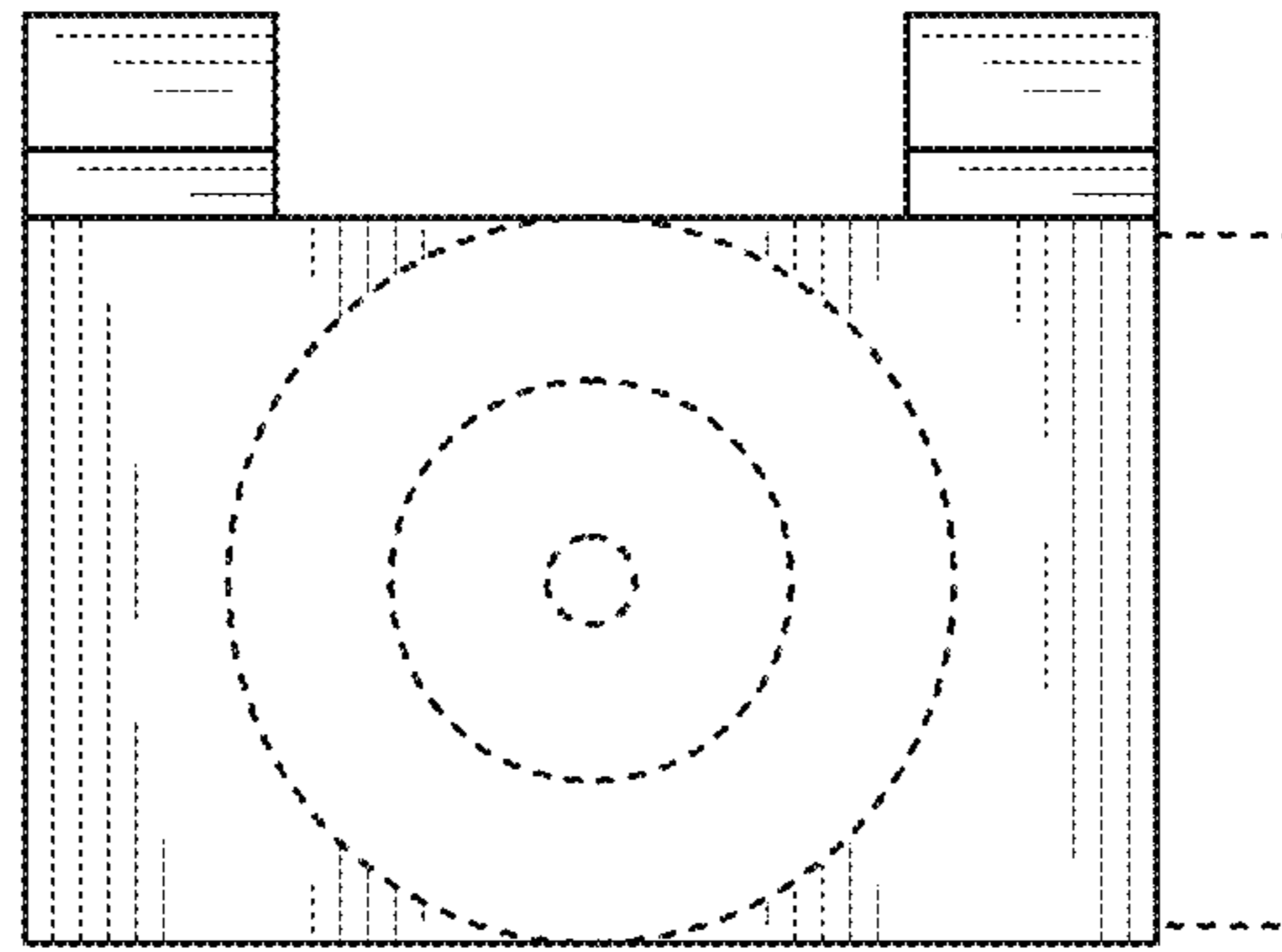


FIG. 1

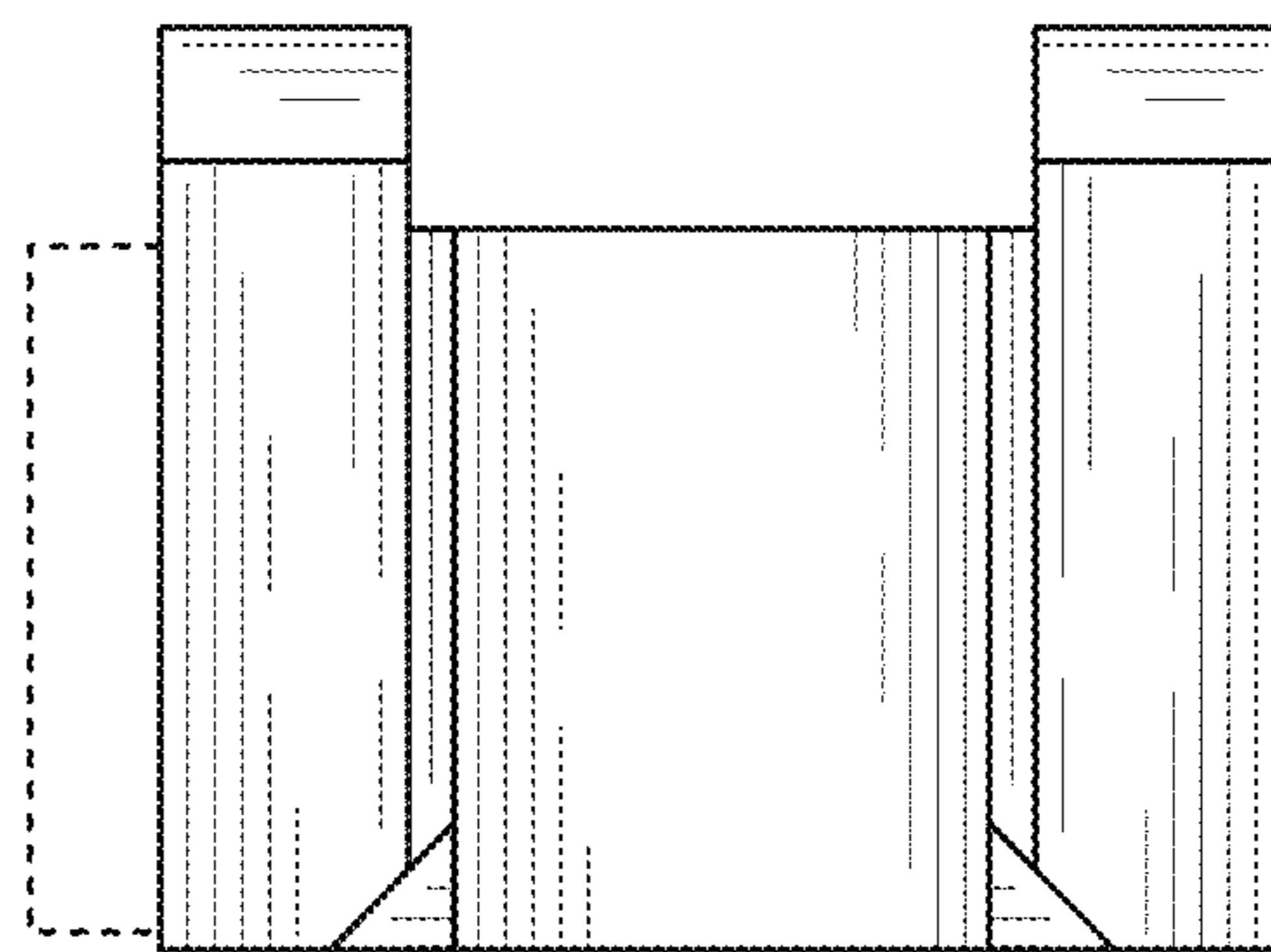


FIG. 2

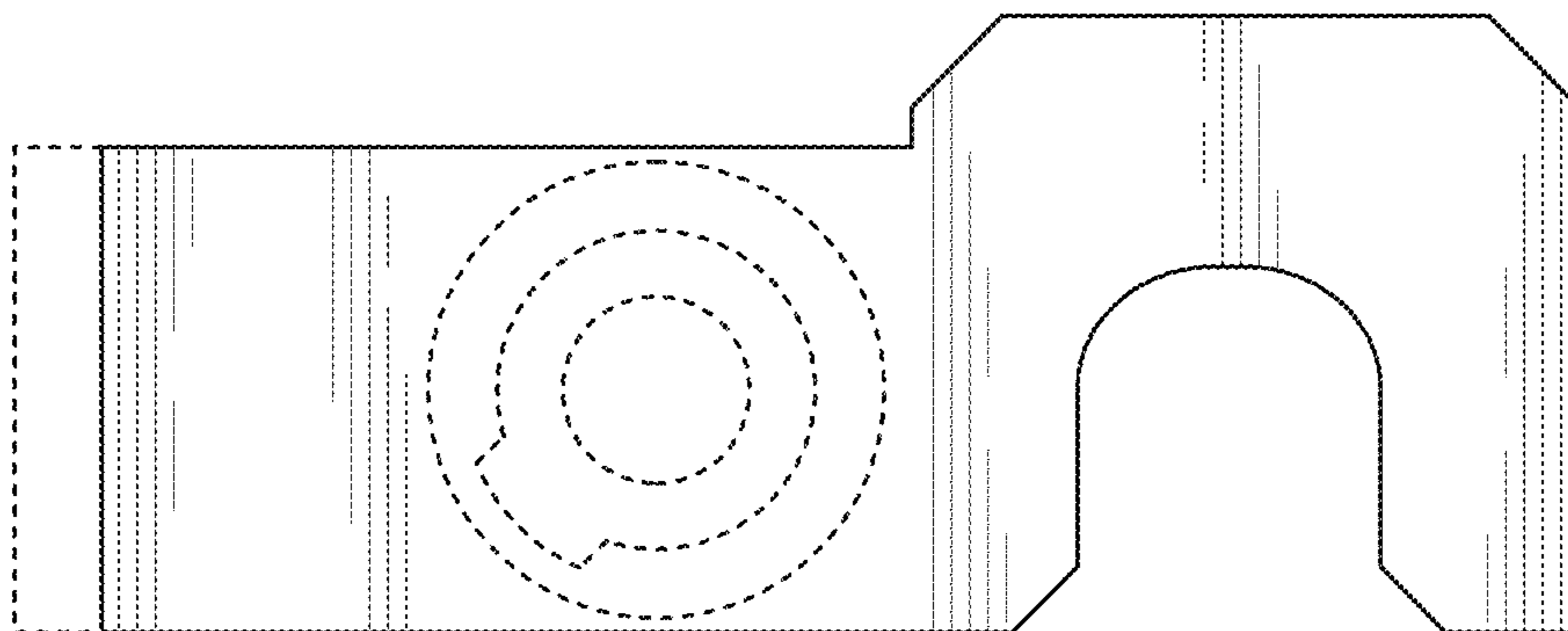


FIG. 3

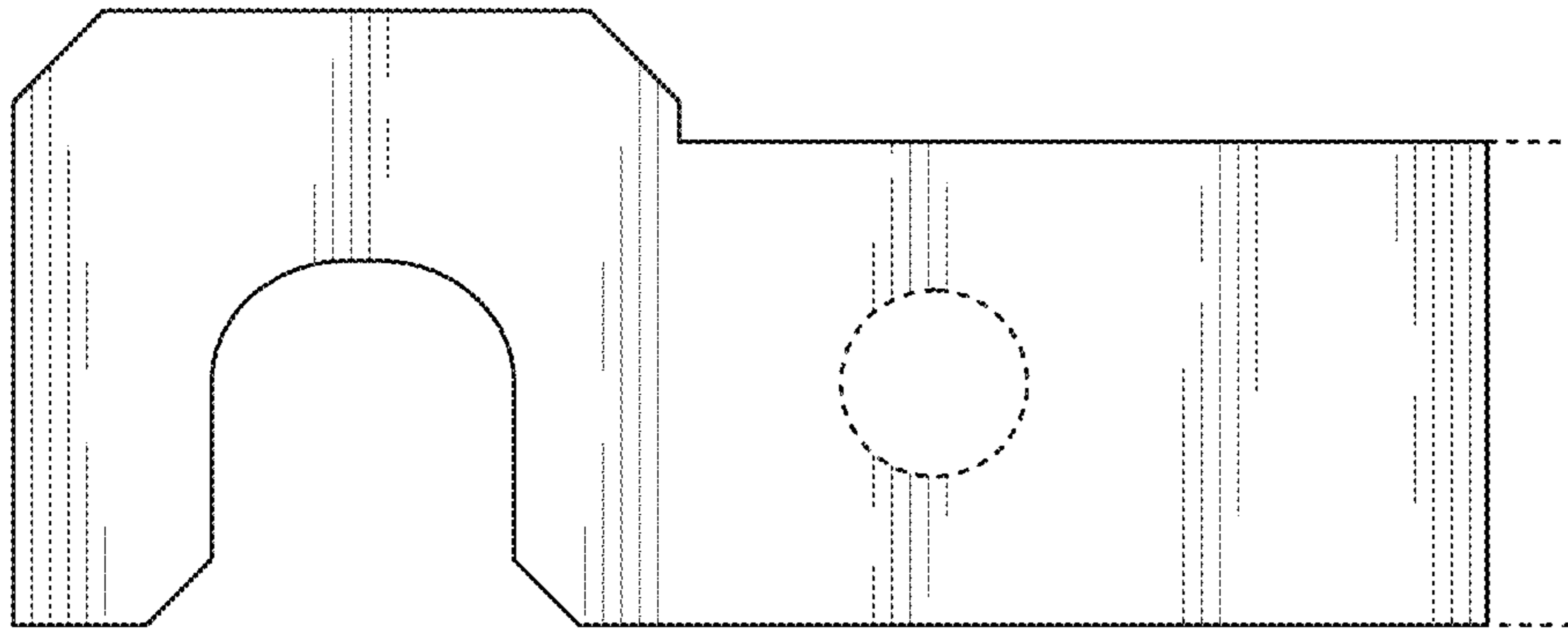


FIG. 4

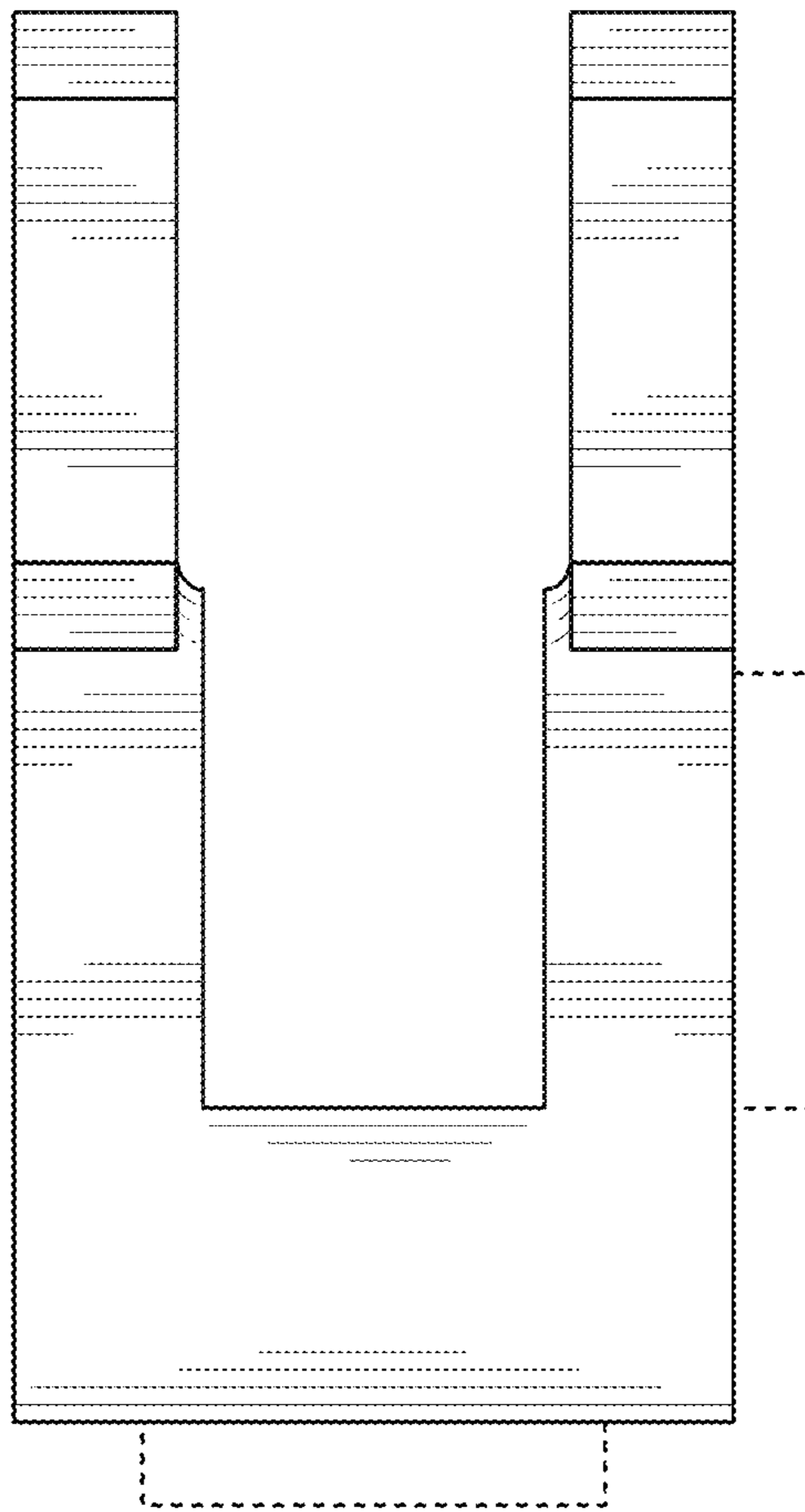


FIG. 5

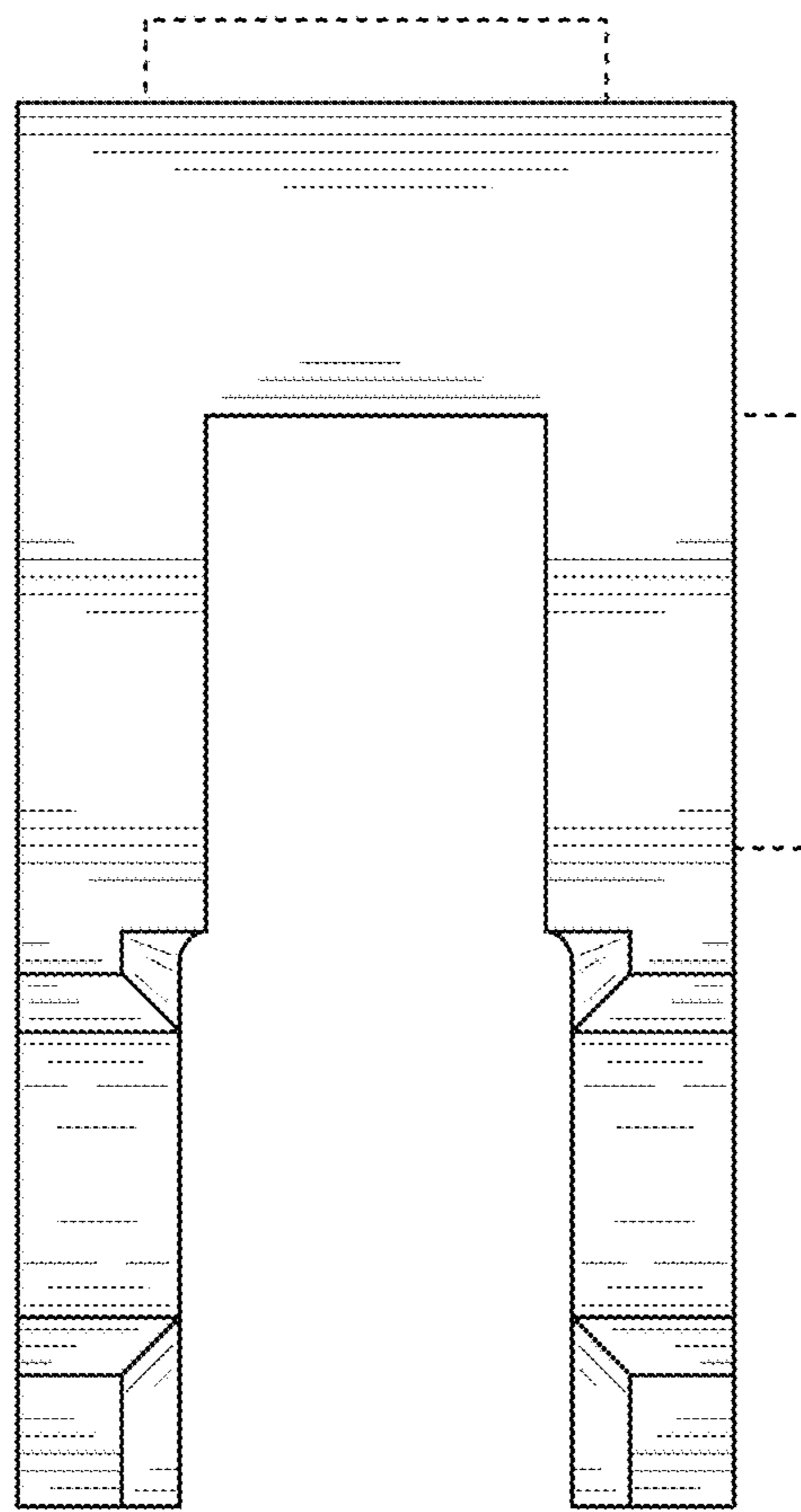


FIG. 6

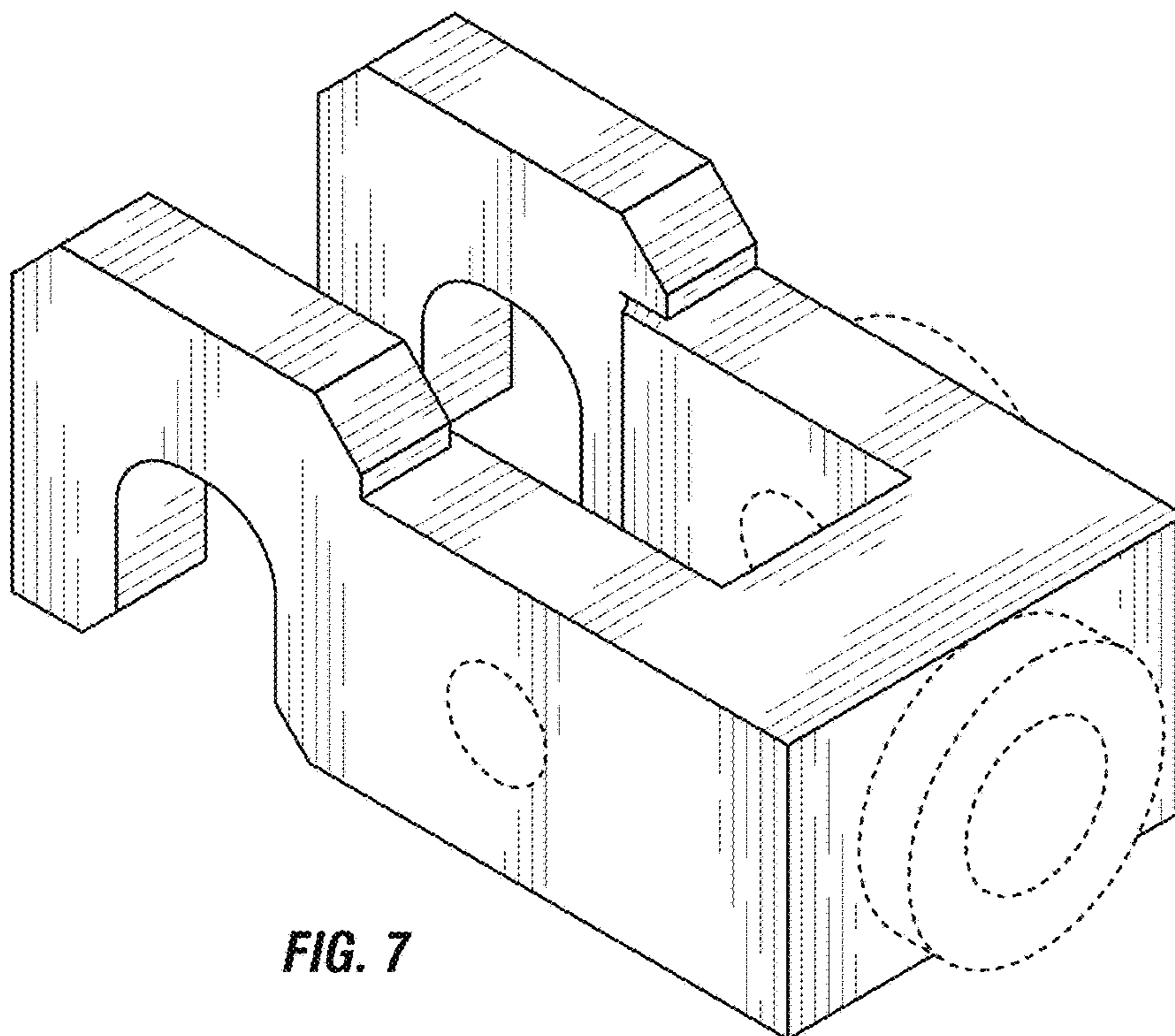


FIG. 7

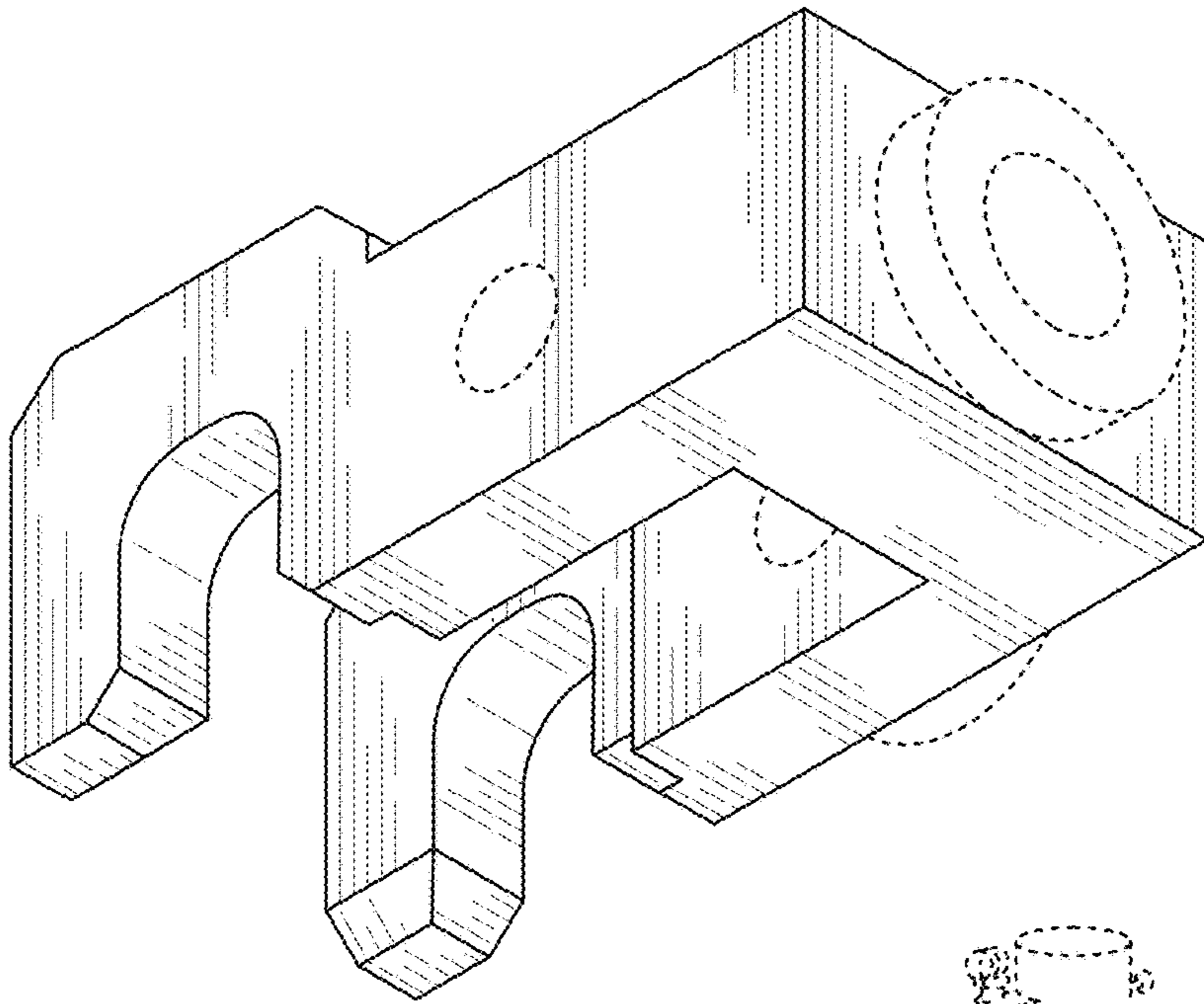


FIG. 8

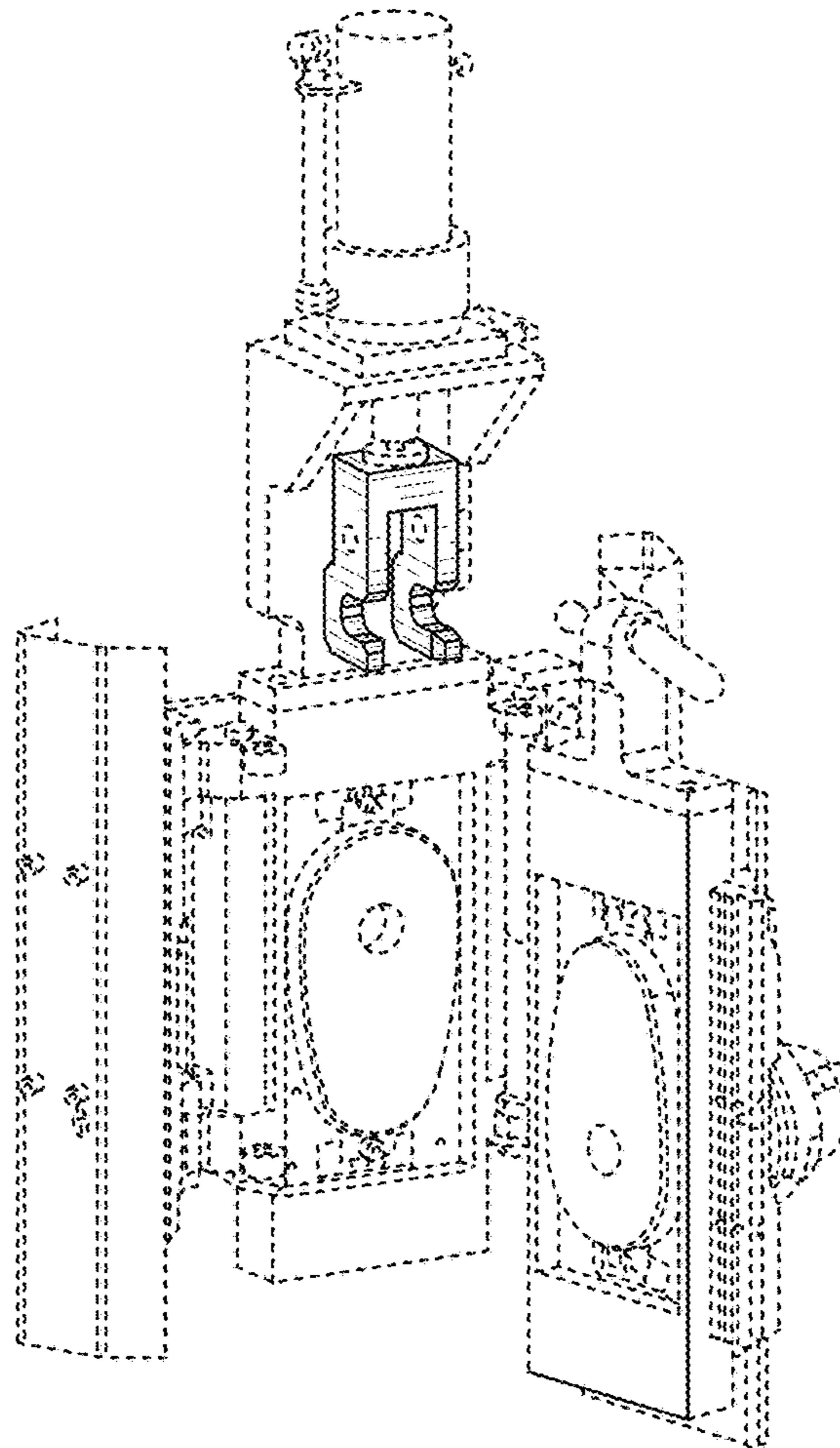


FIG. 9