



US00D809026S

(12) **United States Design Patent**
Harvey et al.

(10) **Patent No.:** **US D809,026 S**
(45) **Date of Patent:** **** Jan. 30, 2018**

(54) **BEVERAGE DISPENSER DRAWER**

F25D 25/024; F25D 27/005; F25D 23/12;
F25D 29/005; F25D 17/042; F25D
2325/021

(71) Applicant: **The Coca-Cola Company**, Atlanta, GA
(US)

See application file for complete search history.

(72) Inventors: **David J. Harvey**, Suwanee, GA (US);
Daniel S. Quartarone, Stone Mountain,
GA (US); **Gregg Carpenter**, Atlanta,
GA (US); **Scott Harrison**, Atlanta, GA
(US); **Kris Tomasson**, Munich (DE);
Claudio Ponzio, Cambiano (IT);
Lawrence E. Davis, Atlanta, GA (US);
Robert Burton Brownell, Jr., Decatur,
GA (US); **Zersis Mehar Mehta**,
Lawrenceville, GA (US)

(56) **References Cited**

U.S. PATENT DOCUMENTS

3,233,817 A	2/1966	Casady	
3,908,864 A	9/1975	Capper	
6,412,663 B1	7/2002	Adamson, II	
6,871,679 B2	3/2005	Last	
D656,970 S *	4/2012	Merritt	D15/90
8,201,712 B2	6/2012	Freeman et al.	
D707,267 S *	6/2014	Choi	D15/89
D709,927 S *	7/2014	Park	D15/89
D710,405 S *	8/2014	Seo	D15/89

(Continued)

FOREIGN PATENT DOCUMENTS

DE 29702300 11/1997

Primary Examiner — Ian Simmons

Assistant Examiner — Khawaja Anwar

(74) *Attorney, Agent, or Firm* — Cynthia R. Parks; Parks
IP Law LLC

(73) Assignee: **The Coca-Cola Company**, Atlanta, GA
(US)

(**) Term: **15 Years**

(21) Appl. No.: **29/600,471**

(22) Filed: **Apr. 12, 2017**

Related U.S. Application Data

(62) Division of application No. 29/539,958, filed on Sep.
18, 2015, now Pat. No. Des. 787,567.

(51) **LOC (11) Cl.** **15-07**

(52) **U.S. Cl.**
USPC **D15/89**

(58) **Field of Classification Search**

USPC D15/79, 80, 82, 89, 90
CPC F25B 21/02; F25B 2321/02; F25B 1/005;
F25B 2321/0252; F25B 1/00; F25B 1/10;
F25B 21/04; F25B 2339/047; F25B 5/02;
F25B 7/00; F25B 13/00; F25B 1/053;
F25B 2309/06; F25B 2321/021; F25B
2321/023; F25D 23/028; F25D 23/02;
F25D 25/025; F25D 23/00; F25D
2323/021; F25D 11/00; F25D 2323/024;
F25D 23/04; F25D 29/00; F25D 25/02;

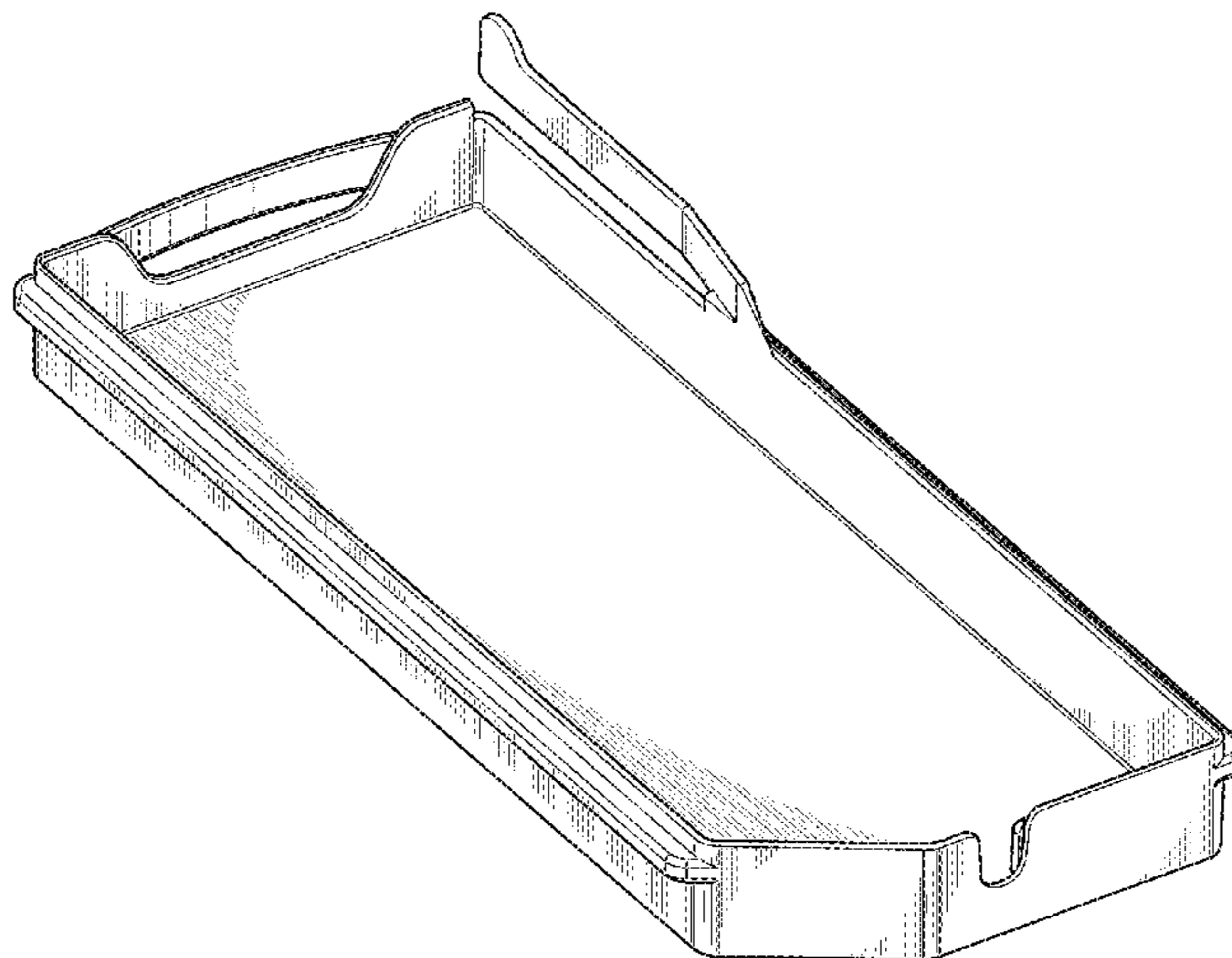
(57) **CLAIM**

We claim the ornamental design for a beverage dispenser
drawer, as shown and described.

DESCRIPTION

FIG. 1 is a perspective view of a beverage dispenser drawer,
showing our new design;
FIG. 2 is a rear perspective view thereof;
FIG. 3 is a left side view thereof;
FIG. 4 is a right side view thereof;
FIG. 5 is a front view thereof;
FIG. 6 is a back view thereof;
FIG. 7 is a top view thereof; and,
FIG. 8 is a bottom view thereof.

1 Claim, 6 Drawing Sheets



(56)

References Cited

U.S. PATENT DOCUMENTS

D744,548	S	*	12/2015	Shin	D15/89
D786,320	S	*	5/2017	Harvey	D15/89
D787,567	S	*	5/2017	Harvey	D15/89
2003/0116584	A1		6/2003	Gutierrez et al.		
2003/0141317	A1		7/2003	Vance		
2006/0071021	A1		4/2006	Steeves et al.		
2006/0138168	A1		6/2006	Last		
2008/0041882	A1		2/2008	Lips		
2008/0121766	A1		5/2008	Jorgensen		
2008/0277417	A1		11/2008	Groesbeck		
2008/0283550	A1		11/2008	Nighy et al.		
2009/0283541	A1		11/2009	Compton		
2010/0147884	A1		6/2010	Compton et al.		
2014/0263442	A1		9/2014	Connerat et al.		
2014/0263454	A1		9/2014	Connerat et al.		

* cited by examiner

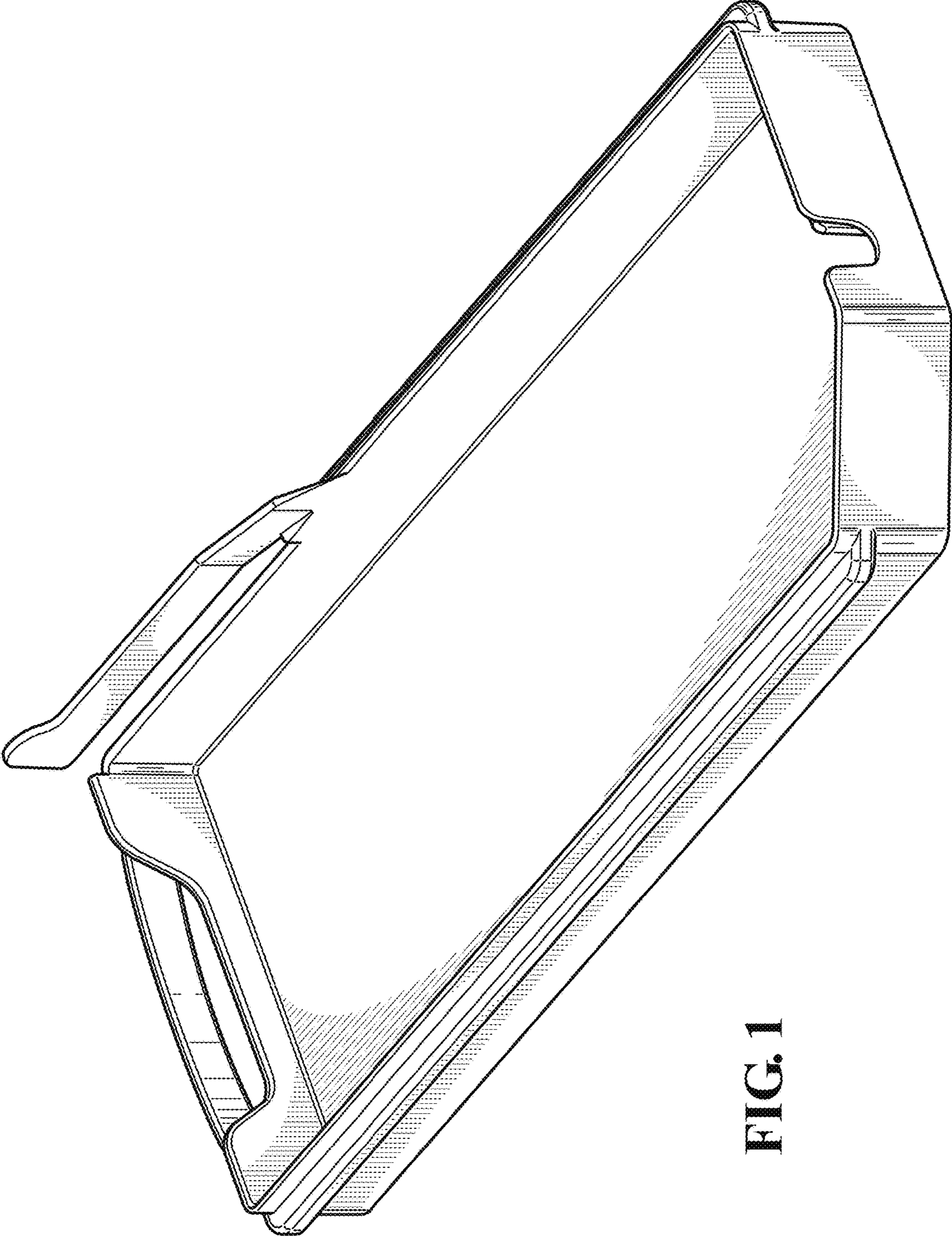


FIG. 1

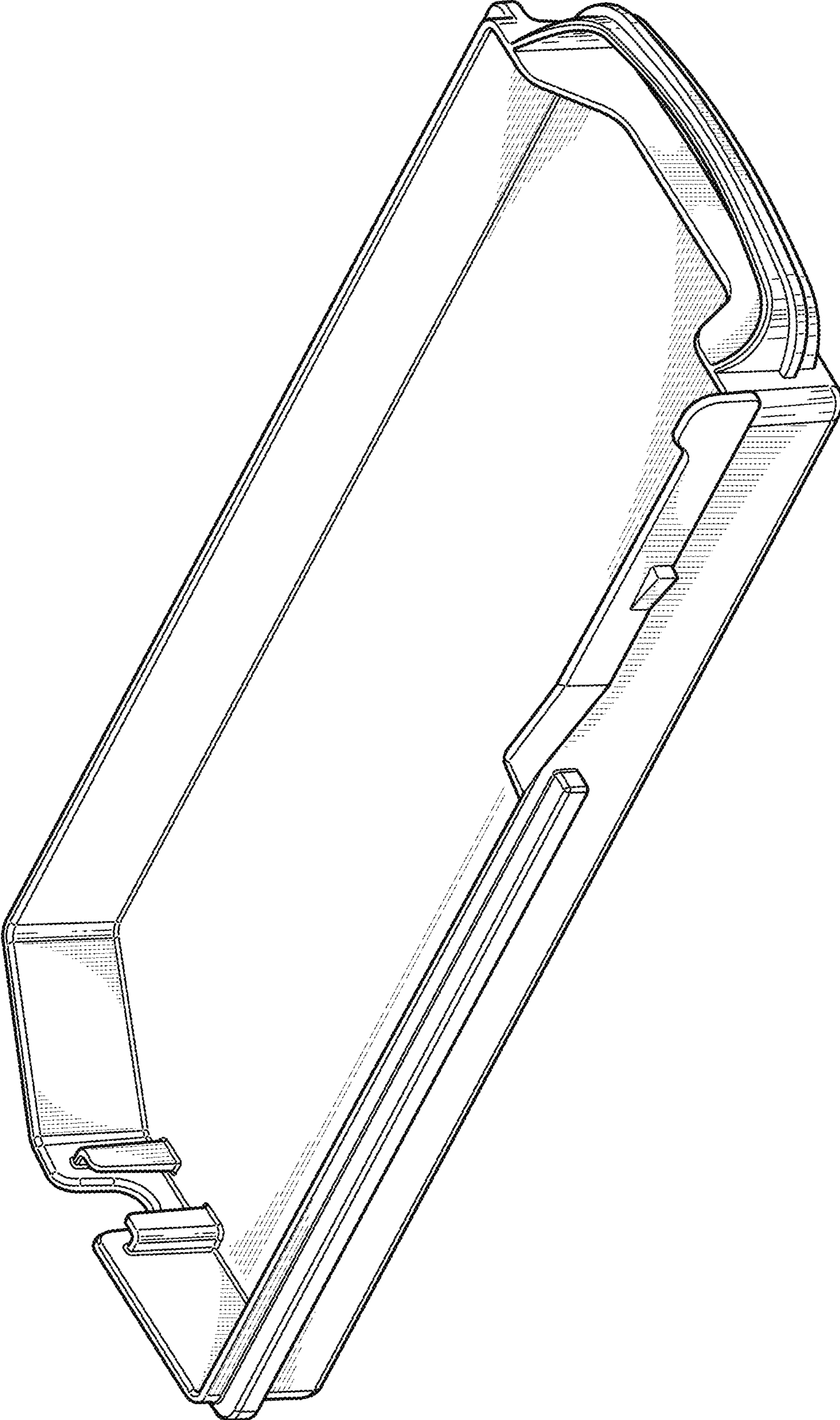


FIG. 2

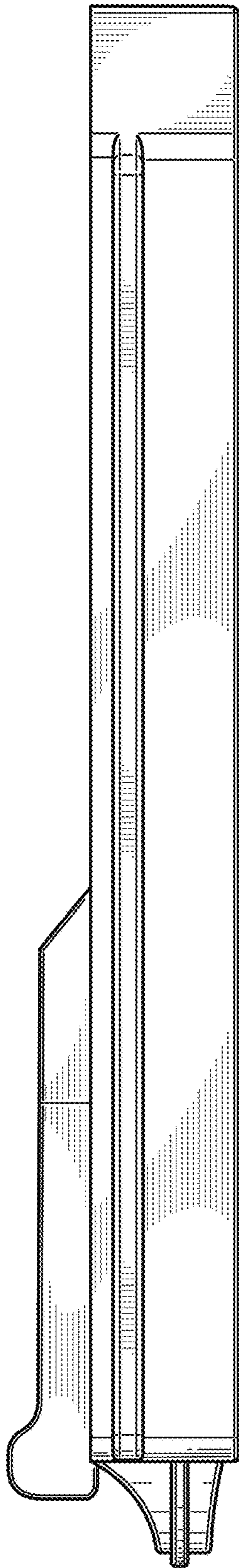


FIG. 3

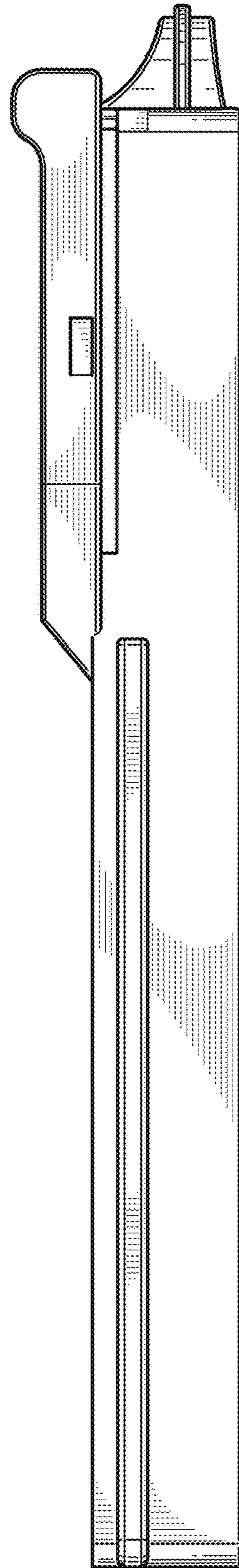


FIG. 4

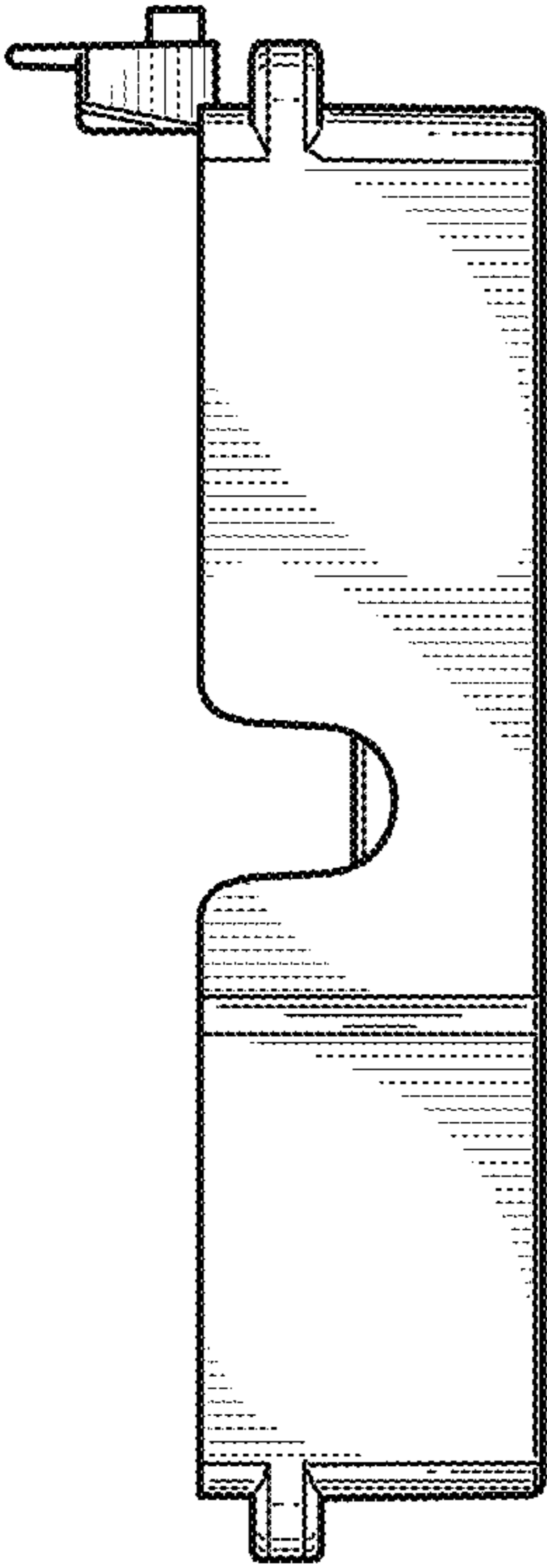


FIG. 5

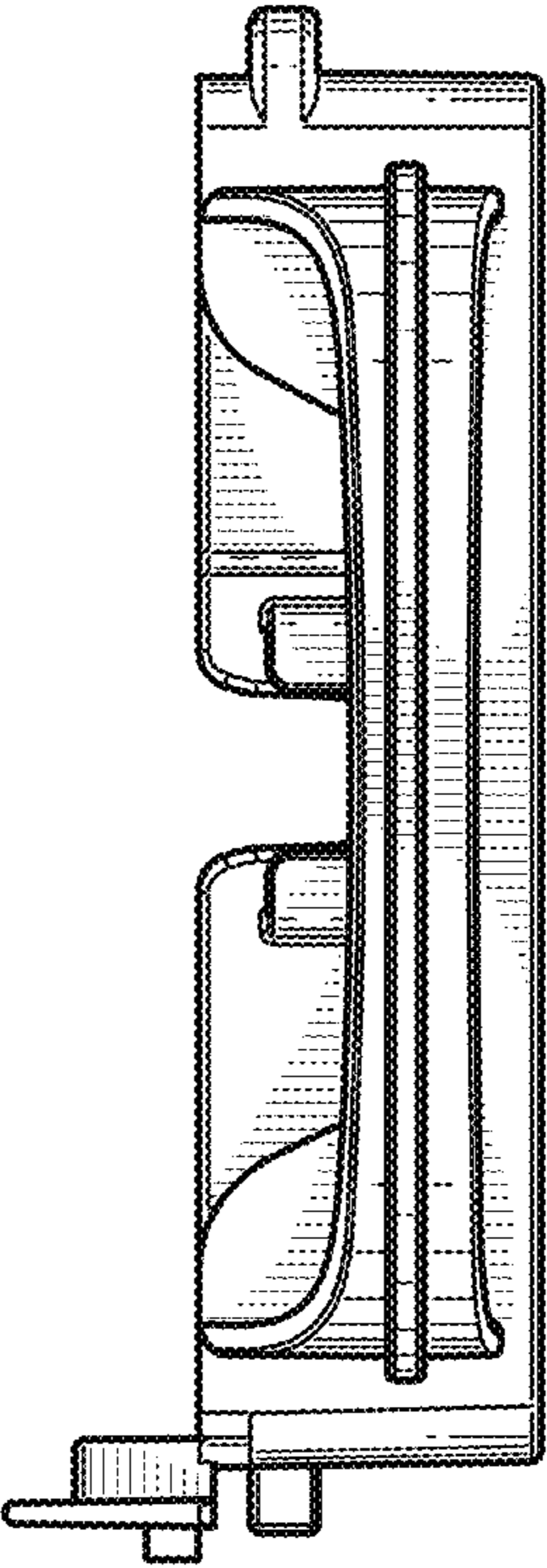


FIG. 6

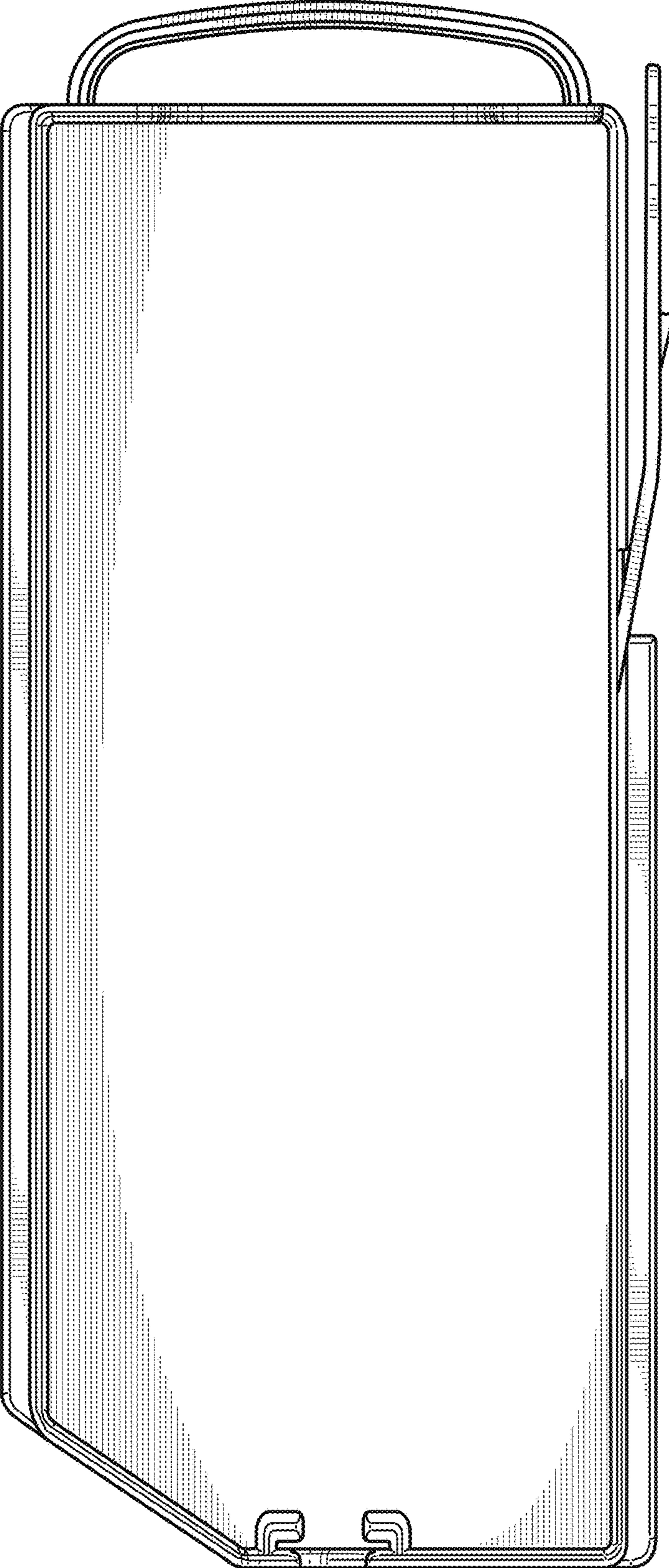


FIG. 7

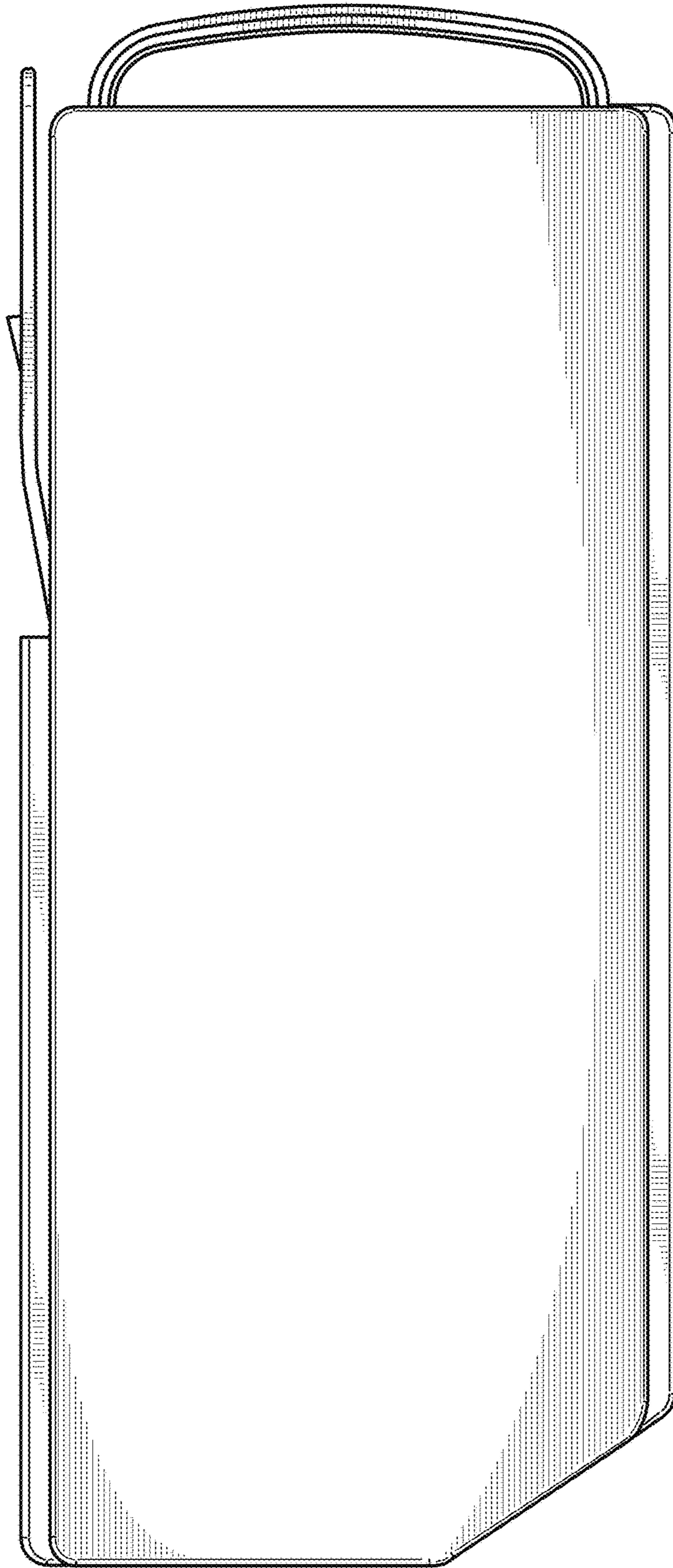


FIG. 8