



US00D809025S

(12) **United States Design Patent**
Okuyama et al.

(10) **Patent No.:** **US D809,025 S**
(45) **Date of Patent:** **** Jan. 30, 2018**

(54) **GRILL AND HEADLIGHT UNIT ASSEMBLY FOR AN AGRICULTURAL TRACTOR**

D586,828 S 2/2009 Staines et al.
D591,777 S 5/2009 Kokitkar et al.
D596,205 S 7/2009 Kawashiri et al.
D620,955 S 8/2010 Krogh et al.
D624,944 S 10/2010 Major

(71) Applicant: **YANMAR CO., LTD.**, Osaka-shi, Osaka (JP)

(Continued)

(72) Inventors: **Kiyoyuki Okuyama**, Osaka (JP); **Shinya Kawashiri**, Osaka (JP); **Yutaka Matsui**, Osaka (JP)

Primary Examiner — Mark Goodwin
(74) *Attorney, Agent, or Firm* — Norris McLaughlin & Marcus P.A.

(73) Assignee: **Yanmar Co., Ltd.**, Osaka (JP)

(**) Term: **15 Years**

(57) **CLAIM**

(21) Appl. No.: **29/601,810**

The ornamental design for a grill and headlight unit assembly for an agricultural tractor, as shown and described.

(22) Filed: **Apr. 26, 2017**

DESCRIPTION

Related U.S. Application Data

(62) Division of application No. 29/524,805, filed on Apr. 23, 2015.

FIG. 1 is a front side elevational view of a grill and headlight unit assembly for an agricultural tractor showing our new design;

(30) **Foreign Application Priority Data**

Oct. 28, 2014 (JP) 2014-024055
Oct. 28, 2014 (JP) 2014-024056

FIG. 2 is a top plan view thereof;

FIG. 3 is a bottom plan view thereof;

(51) **LOC (11) Cl.** **15-03**

(52) **U.S. Cl.**
USPC **D15/31**

FIG. 4 is a right side elevational view thereof;

FIG. 5 is a left side elevational view thereof;

FIG. 6 is a right front side perspective view thereof; and,

FIG. 7 is a pictorial view of an agricultural tractor showing our new design.

(58) **Field of Classification Search**

USPC D15/10, 11, 13-17, 28, 22-26, 30, 31;
D12/173; 56/13.3, 13.4, 15.8, 15.9,
56/320.1; 180/89.1, 89.12, 900, 69.2,
180/68.1, 69.1

A rear elevational view is omitted since our claimed design is hidden in the rear elevational view.

All broken lines form no part of the claimed design.

CPC B62D 49/00-49/085; B62D 25/10; B62D
25/00; B60R 19/52; B60R 21/38

See application file for complete search history.

The article of FIGS. 1-7 of the present design application is a grill and headlight unit assembly for an agricultural tractor.

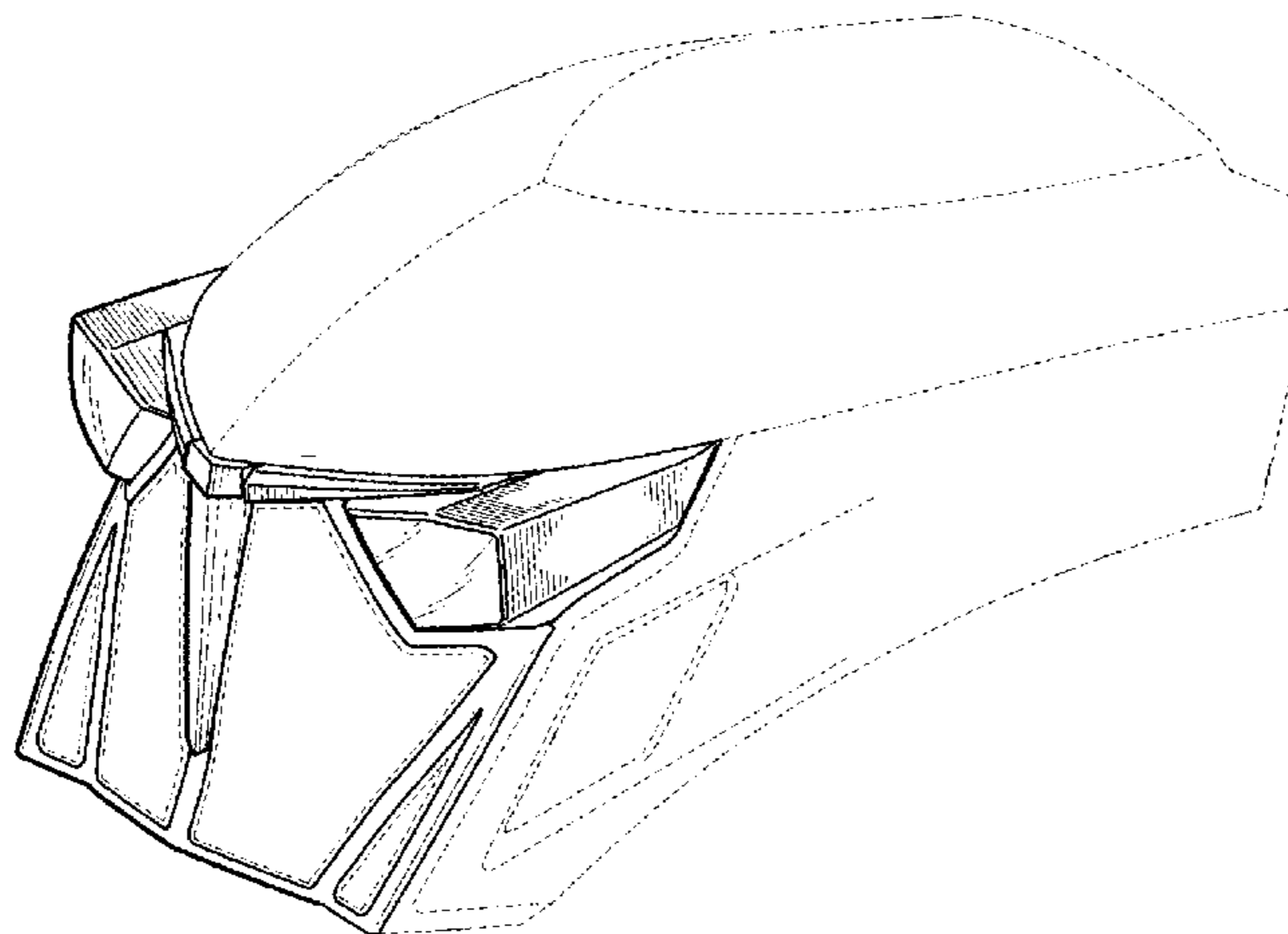
The front grill is disposed at a lower portion of the front of the hood. On the right and left sides of the front grill, two headlights are disposed. At the center of the front grill, a ventilator is disposed. The ventilator has a symmetrical, polygonal shape and has a network structure with a large number of ventilation holes in the network. On the outer side of the ventilator, a triangular ventilator is disposed. On the outer side of the hood, a rhombic ventilator is disposed.

(56) **References Cited**

U.S. PATENT DOCUMENTS

D488,488 S 4/2004 Montgomery et al.
D546,351 S 7/2007 Arthur et al.

1 Claim, 6 Drawing Sheets



(56)

References Cited

U.S. PATENT DOCUMENTS

D631,489 S	1/2011	Booth et al.
D632,312 S	2/2011	Booth et al.
D642,598 S	8/2011	Wikner et al.
D655,318 S	3/2012	Hagele
D668,695 S	10/2012	Ringer
D675,233 S	1/2013	Kushita et al.
D680,562 S	4/2013	Park
D715,332 S	10/2014	Kuwae
D720,874 S	1/2015	Jackson et al.
D721,105 S	1/2015	Okuyama et al.
D729,282 S	5/2015	Sasaki
D733,767 S	7/2015	Kushita et al.
D735,248 S	7/2015	Okuyama et al.
D735,775 S	8/2015	Okuyama et al.

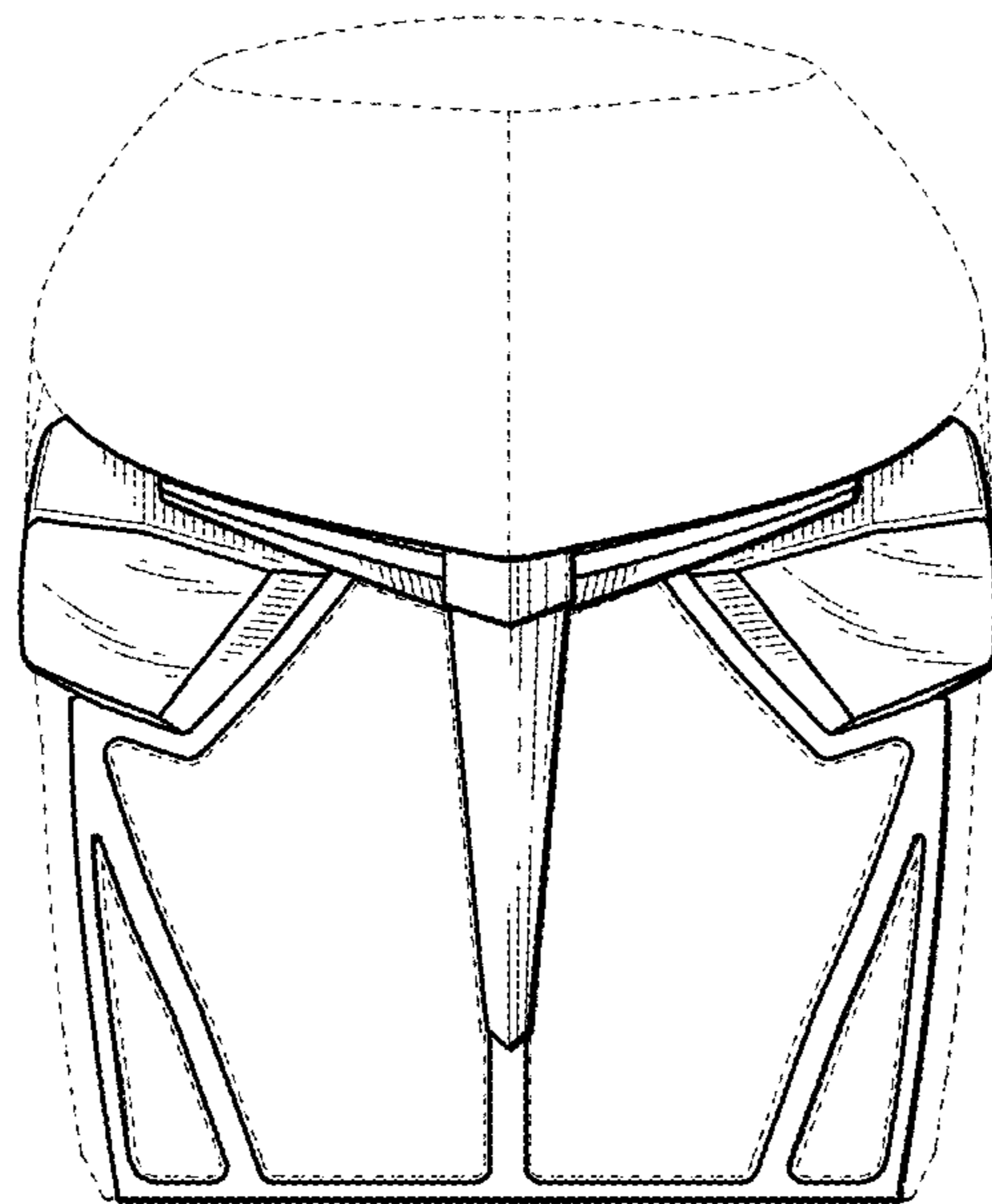


FIG. 1

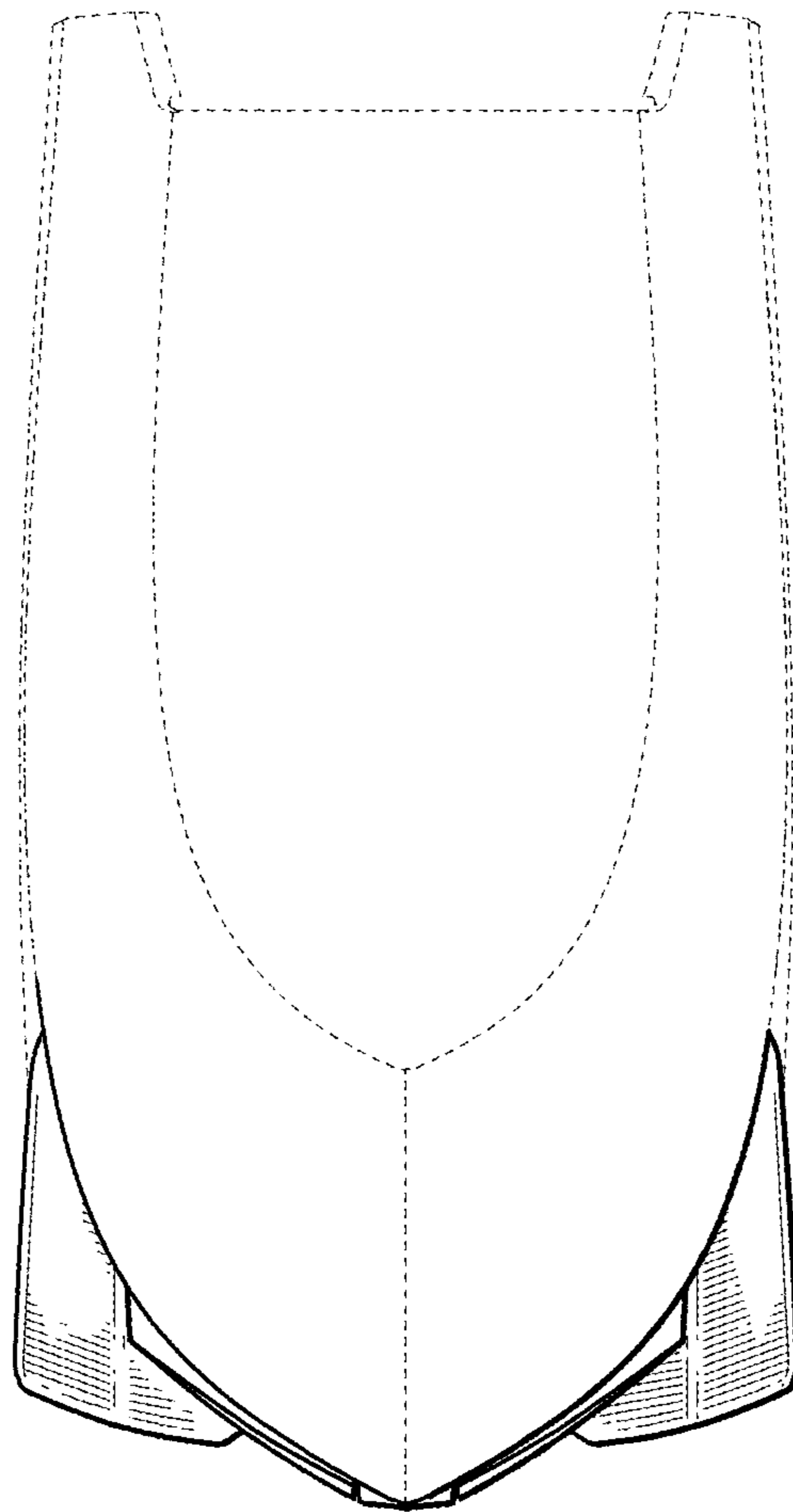


FIG. 2

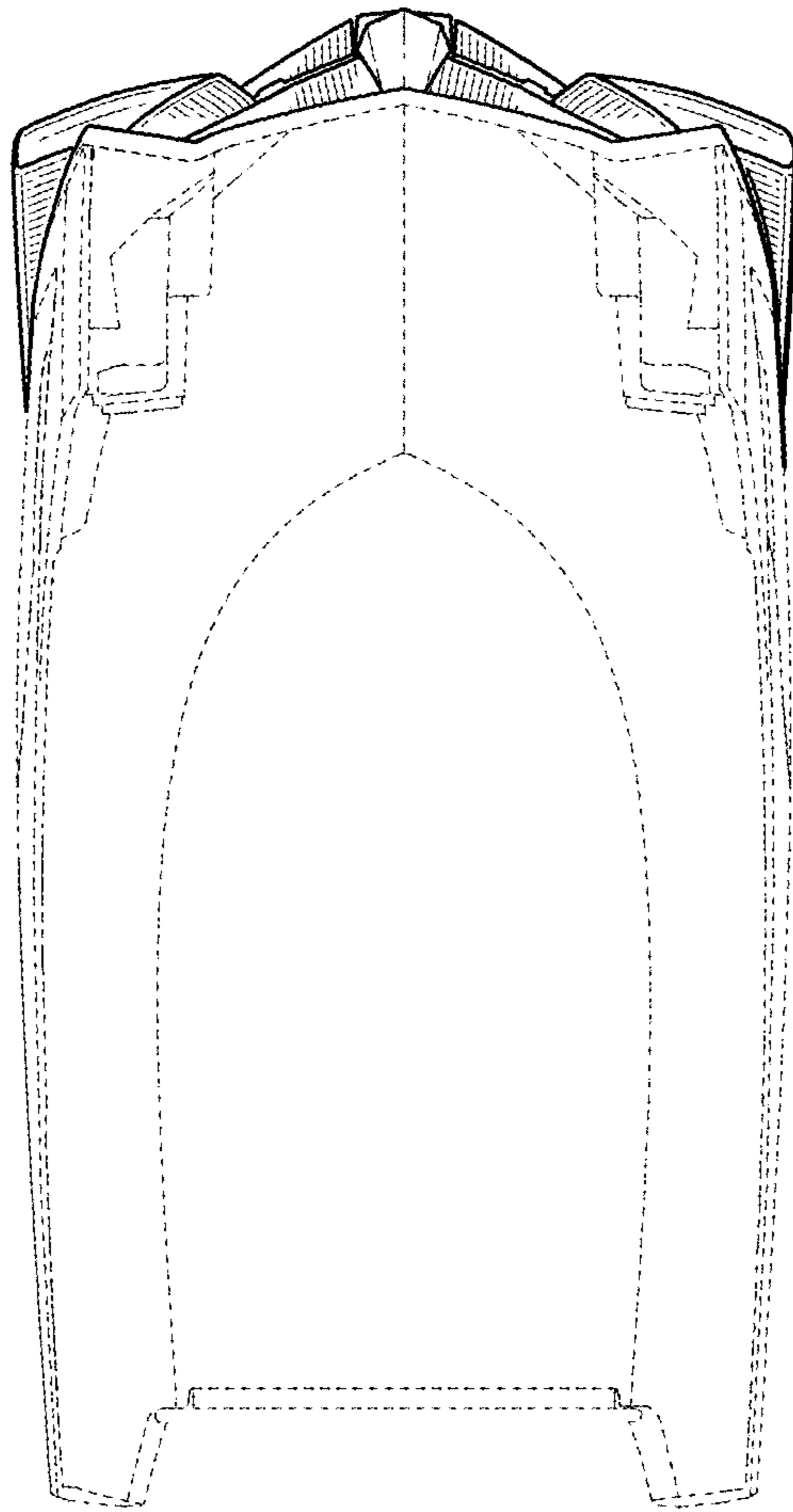


FIG. 3

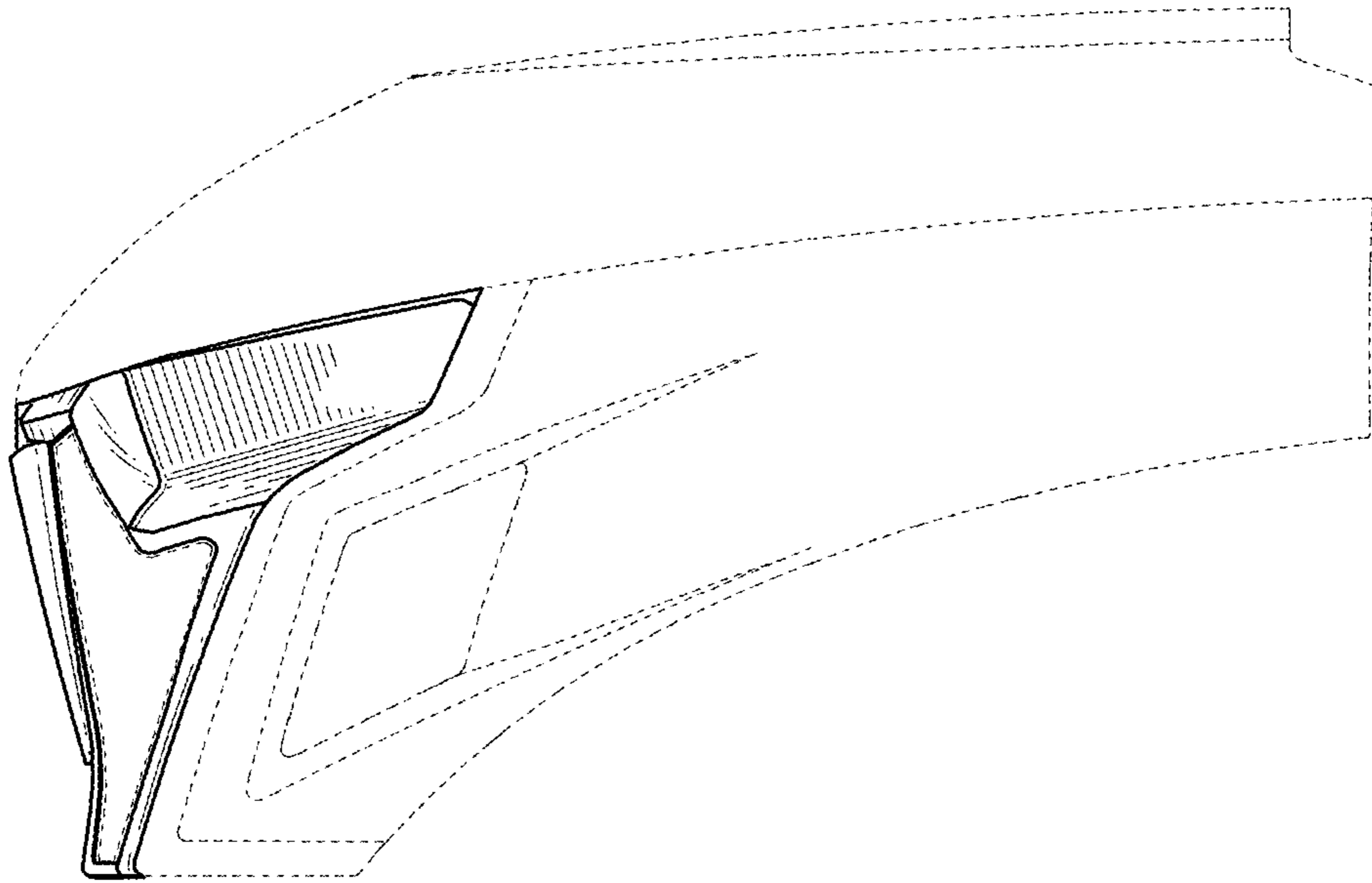


FIG. 4

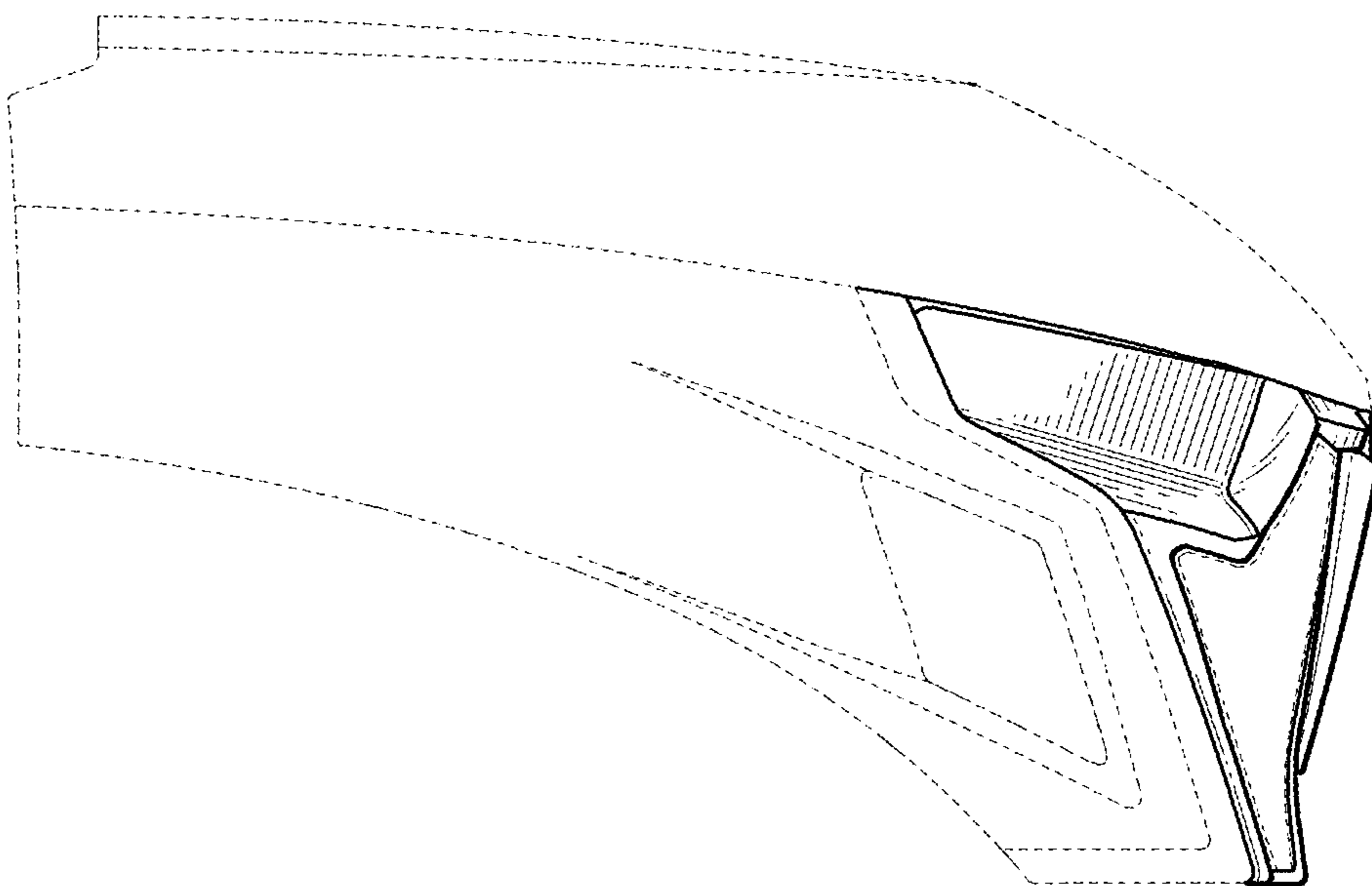


FIG. 5

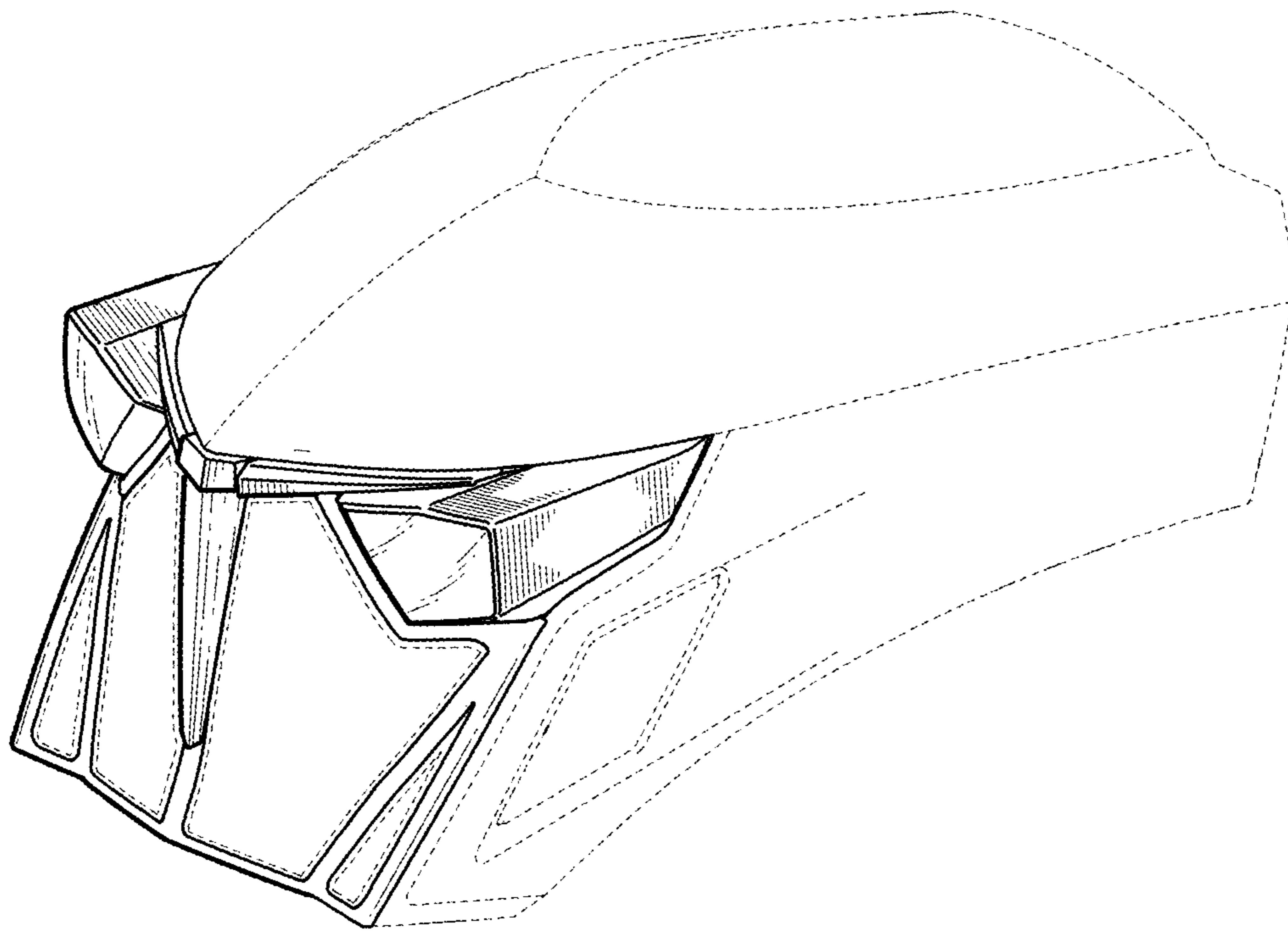


FIG. 6

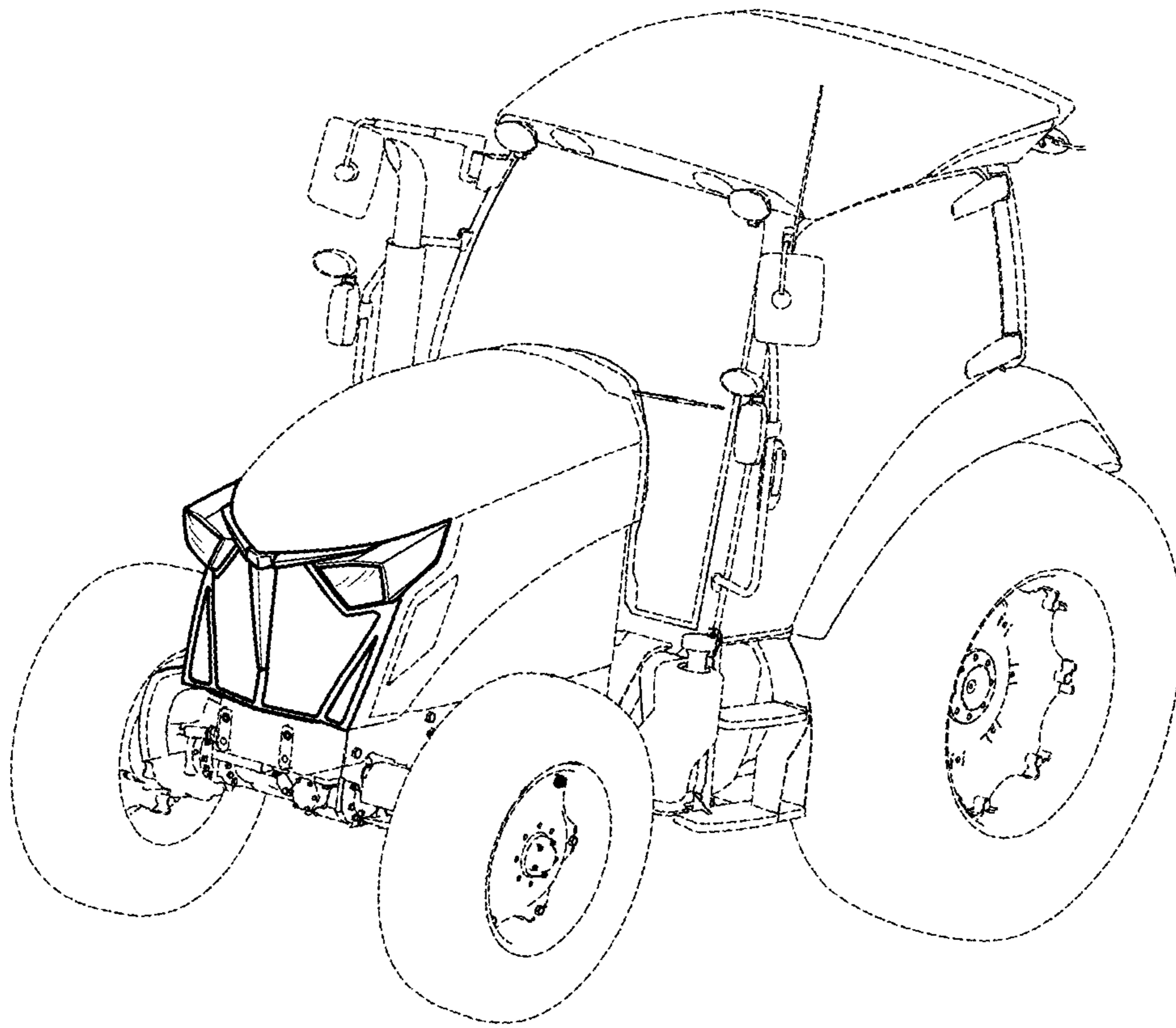


FIG. 7