



US00D809024S

(12) **United States Design Patent**
Lopez et al.

(10) **Patent No.:** **US D809,024 S**
(45) **Date of Patent:** **** Jan. 30, 2018**

- (54) **COMPRESSOR ENCLOSURE**
- (71) Applicant: **LGL France**, Maisons-Alfort (FR)
- (72) Inventors: **Alfonso Lopez**, Burgos (ES); **Mercedes Padrones**, Burgos (ES); **Angel Martinez**, Burgos (ES)
- (73) Assignee: **LGL France**, Maisons-Alfort (FR)
- (**) Term: **15 Years**
- (21) Appl. No.: **29/580,478**
- (22) Filed: **Oct. 10, 2016**
- (51) **LOC (11) Cl.** **15-02**
- (52) **U.S. Cl.**
USPC **D15/9**
- (58) **Field of Classification Search**
USPC D15/7-9; D23/231, 232, 225; 417/60, 417/235, 265, 321, 355, 358, 363, 359, 417/410.1, 415-416, 405, 900, 269, 539; 60/408, 412; 184/26-37; 415/140-147; 123/495, 509; 137/565.34
CPC F02M 37/04; F02M 37/14; F04B 53/92; F04B 1/005
See application file for complete search history.

- D697,533 S * 1/2014 Desiron D15/7
- D709,920 S * 7/2014 Tristano D15/7
- D753,728 S * 4/2016 Ohta D15/9

* cited by examiner

Primary Examiner — Ralf T Seifert
(74) *Attorney, Agent, or Firm* — Winstead PC

(57) **CLAIM**

The ornamental design for a compressor enclosure, as shown and described.

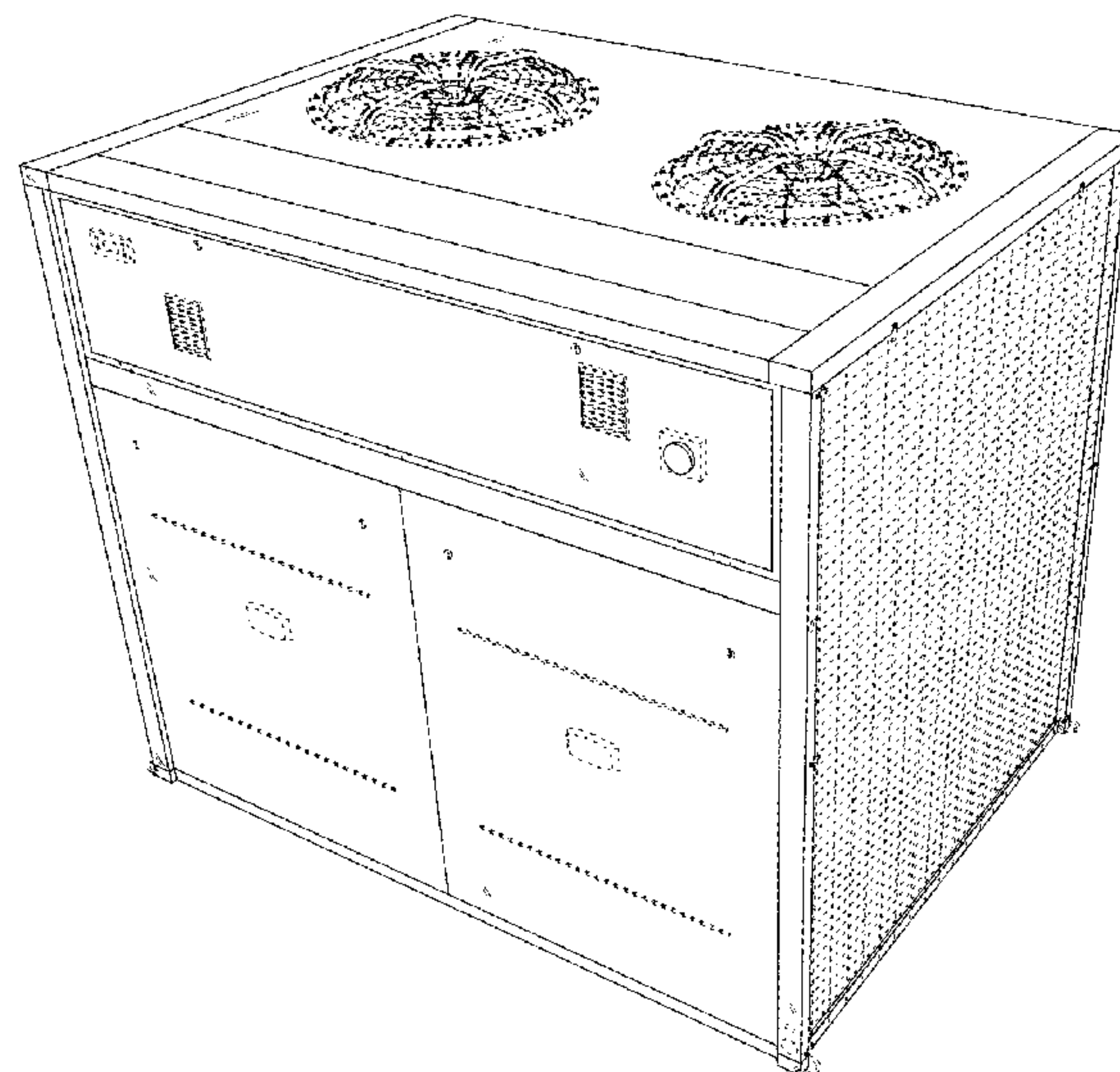
DESCRIPTION

FIG. 1 is a front perspective view of a compressor enclosure in accordance with our new design;
 FIG. 2 is a front view thereof;
 FIG. 3 is a back view thereof;
 FIG. 4 is a right side view thereof;
 FIG. 5 is a left side view thereof;
 FIG. 6 is a top plan view thereof;
 FIG. 7 is a bottom plan view thereof;
 FIG. 8 is a front perspective view with front panels removed and illustrating railings in an engaged position in accordance with our new design;
 FIG. 9 is a front perspective view with the front panels removed and illustrating railings in an extended position in accordance with our new design;
 FIG. 10 is a front perspective view of a compressor enclosure in accordance with a second embodiment;
 FIG. 11 is a front perspective view with front panels removed and illustrating railings in an engaged position in accordance with the second embodiment; and,
 FIG. 12 is a front perspective view with the front panels removed and illustrating railings in an extended position in accordance with the second embodiment.
 Any broken lines present in the drawings are for illustrative purposes only and form no part of the design to be patented.

1 Claim, 12 Drawing Sheets

(56) **References Cited**
U.S. PATENT DOCUMENTS

- D264,719 S * 6/1982 Ehlers D15/9
- D455,442 S * 4/2002 Call D15/9
- D532,797 S * 11/2006 Wise D15/9
- D550,716 S * 9/2007 Bennett D15/7
- D550,721 S * 9/2007 Tanaka D15/9
- D613,767 S * 4/2010 Latsos D15/7
- D622,737 S * 8/2010 Nagai D15/9
- D630,652 S * 1/2011 Yoshioka D15/7



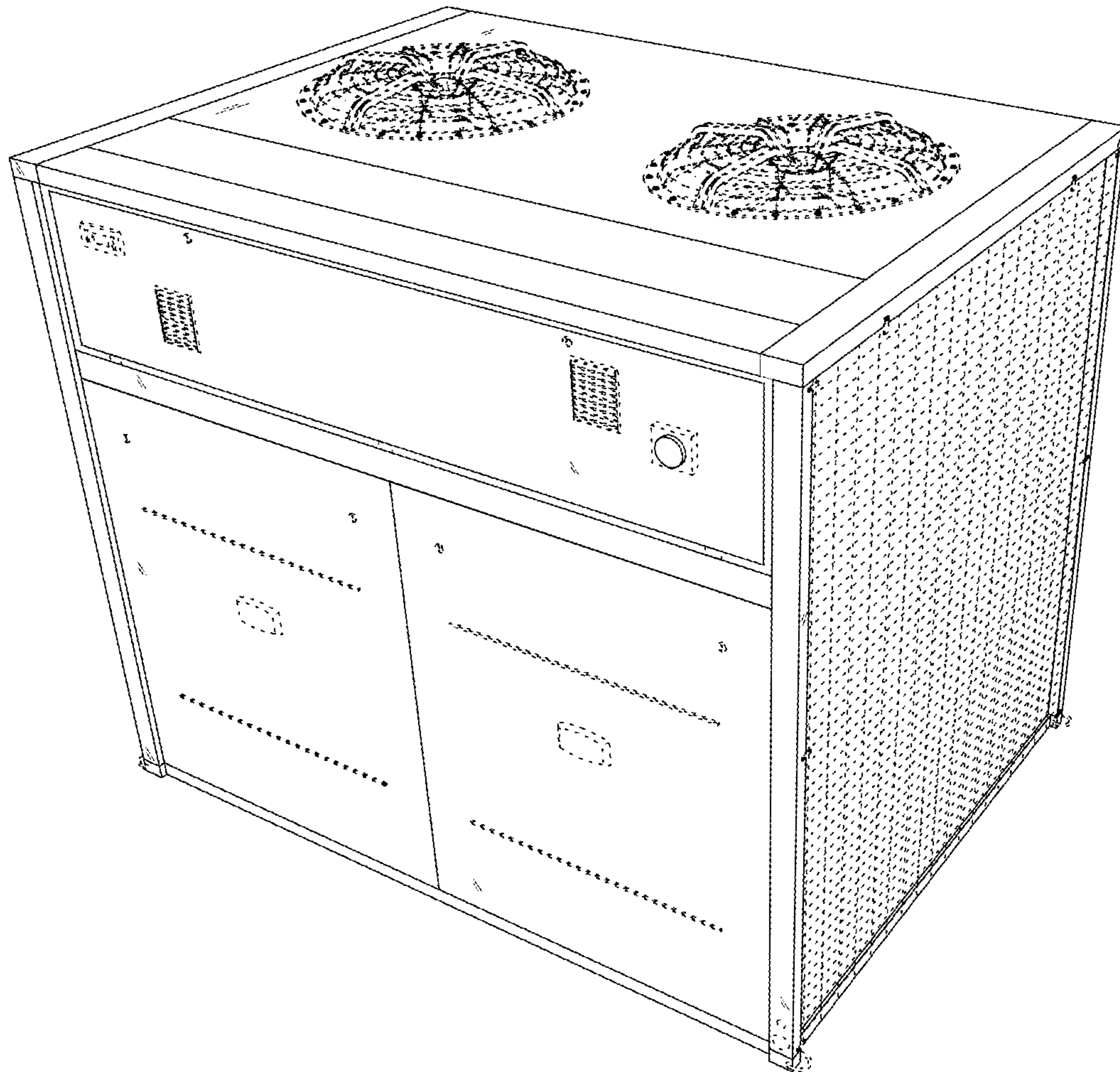


FIG. 1

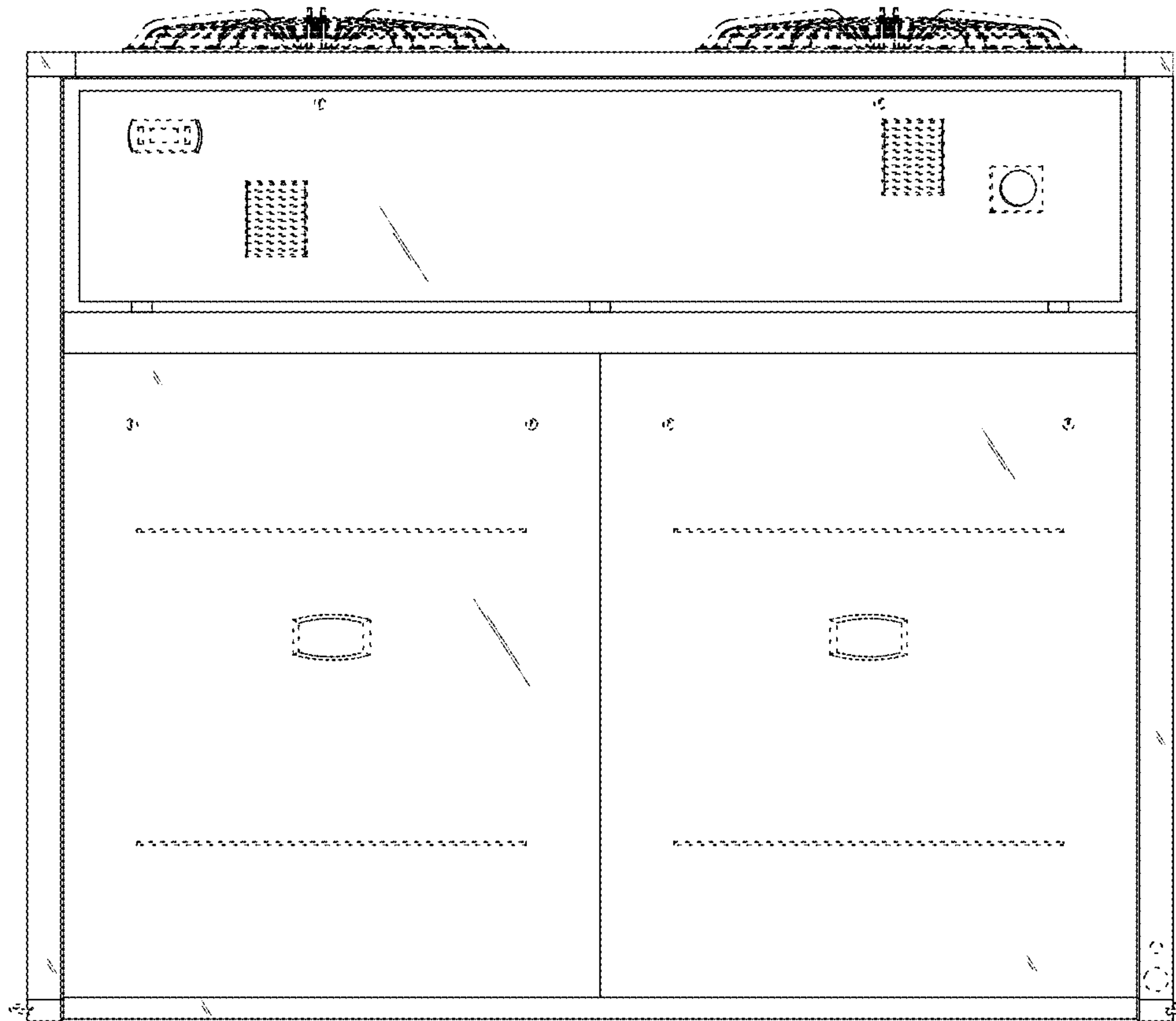


FIG. 2

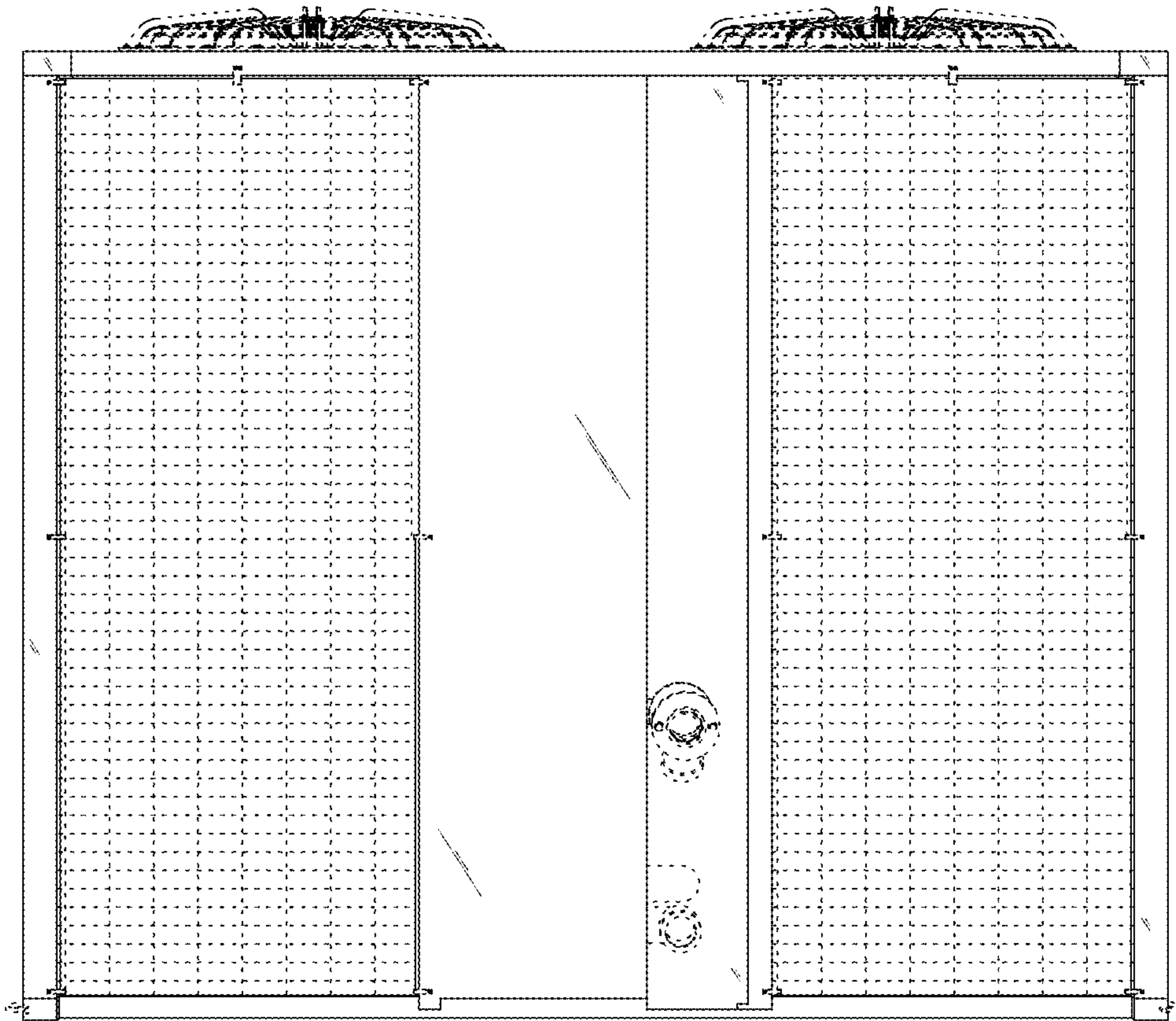


FIG. 3

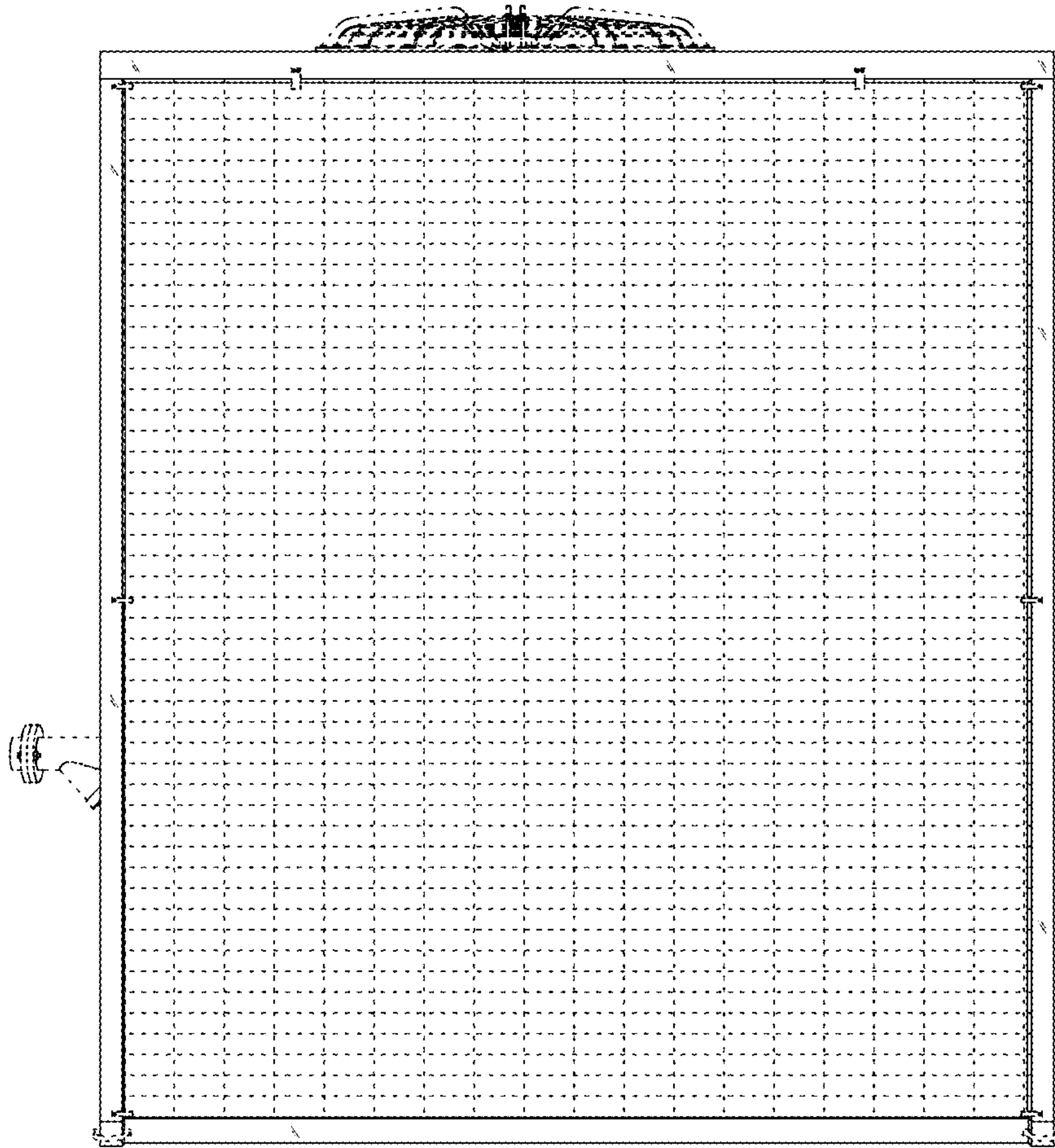


FIG. 4

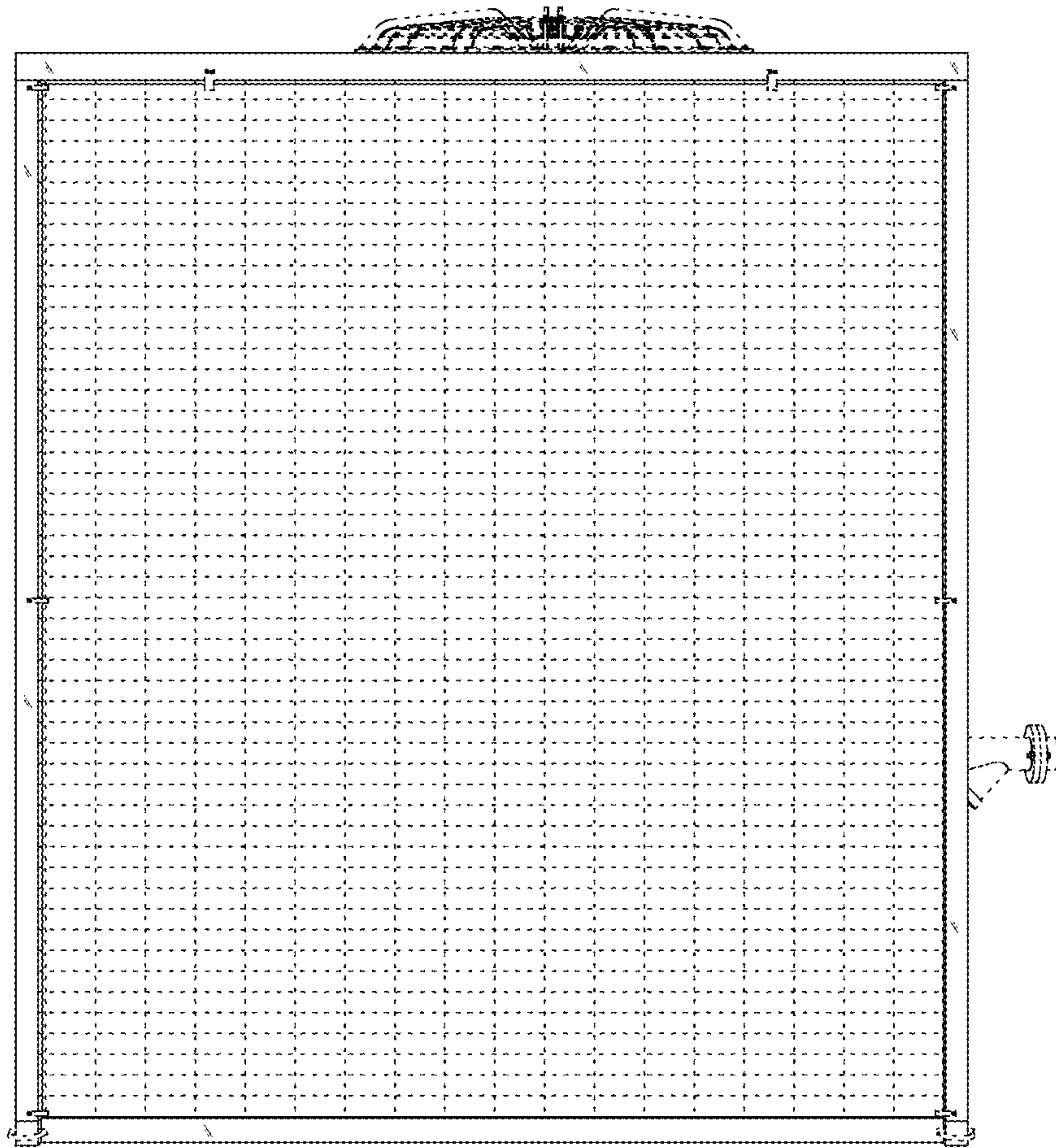


FIG. 5

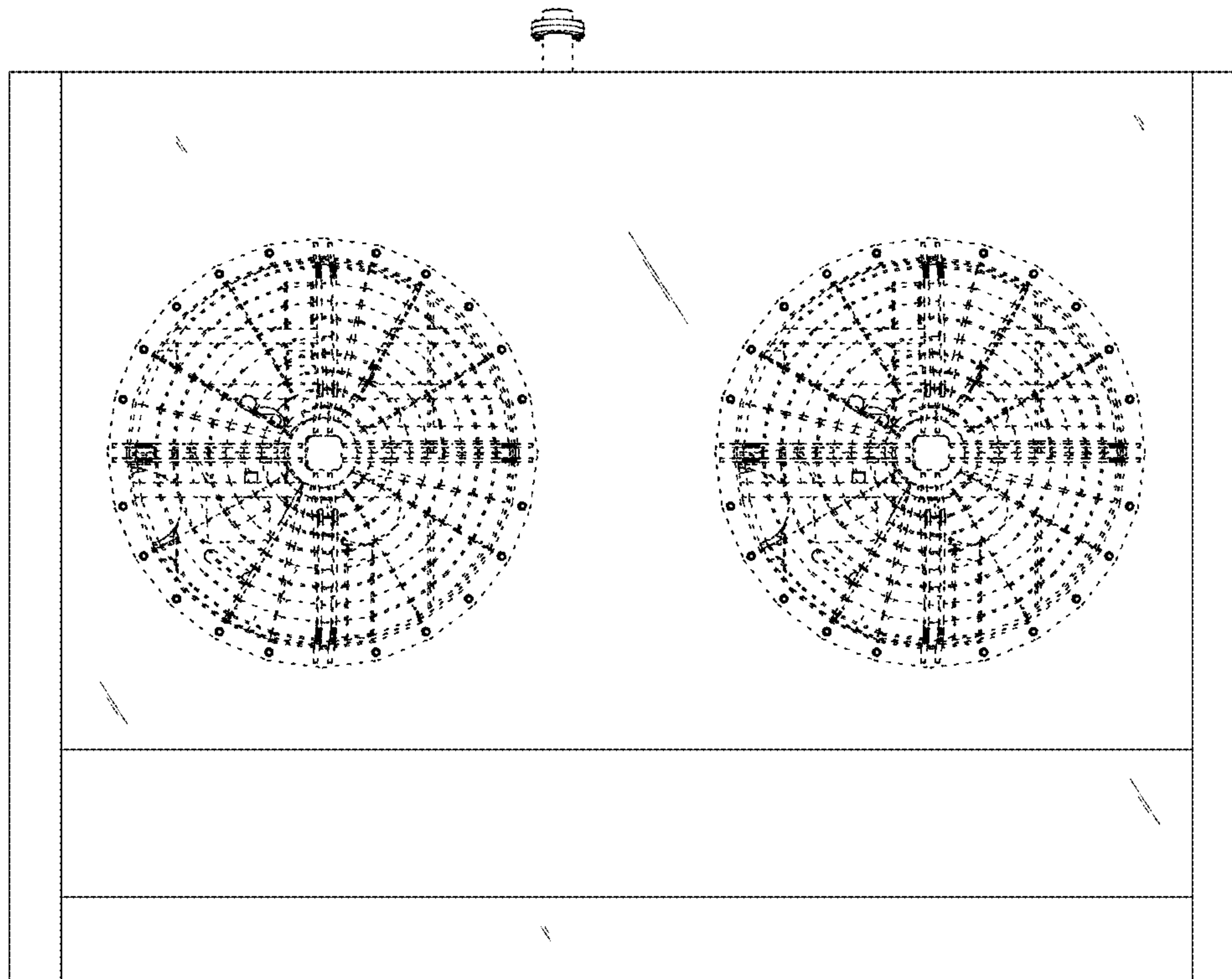


FIG. 6

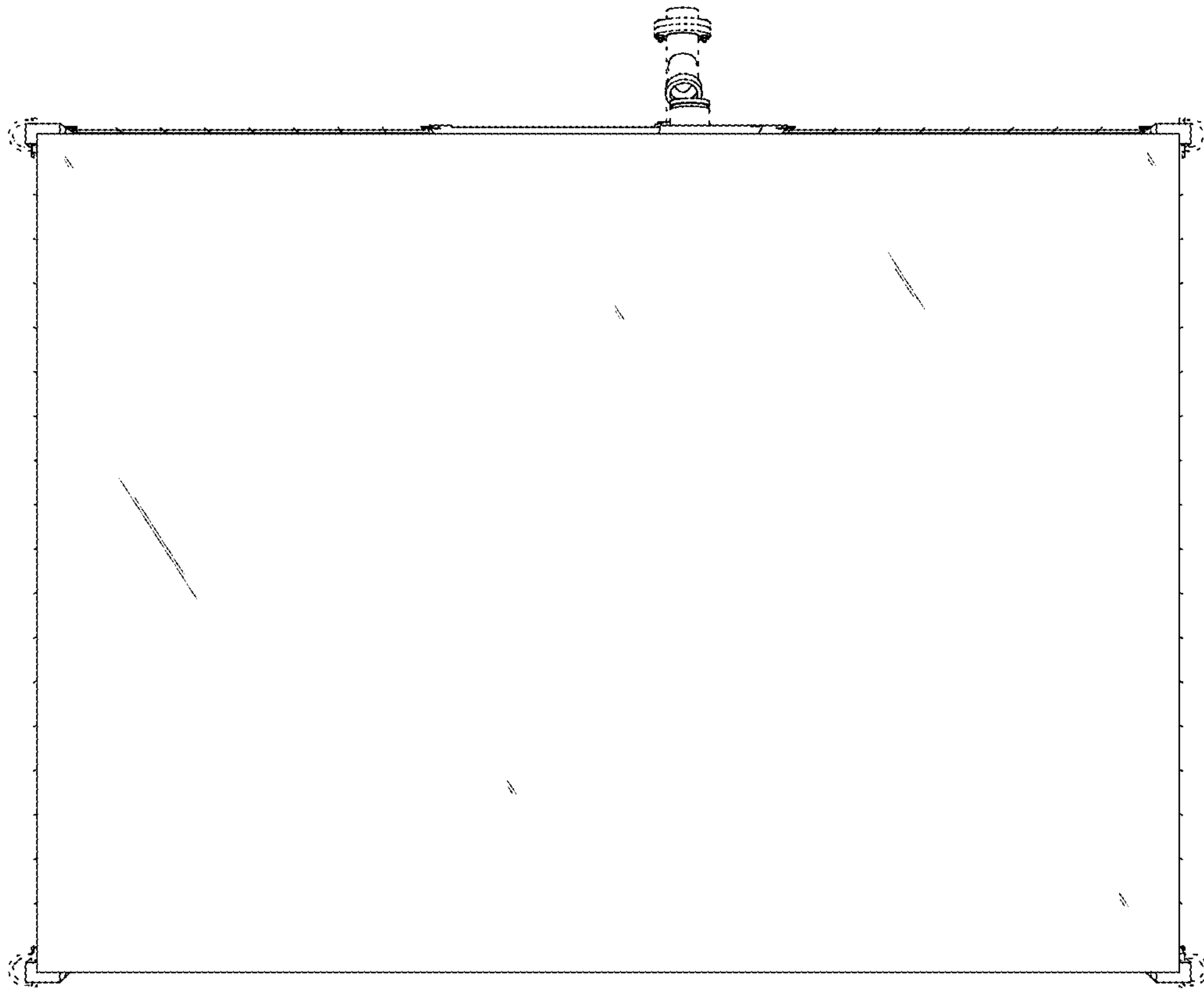


FIG. 7

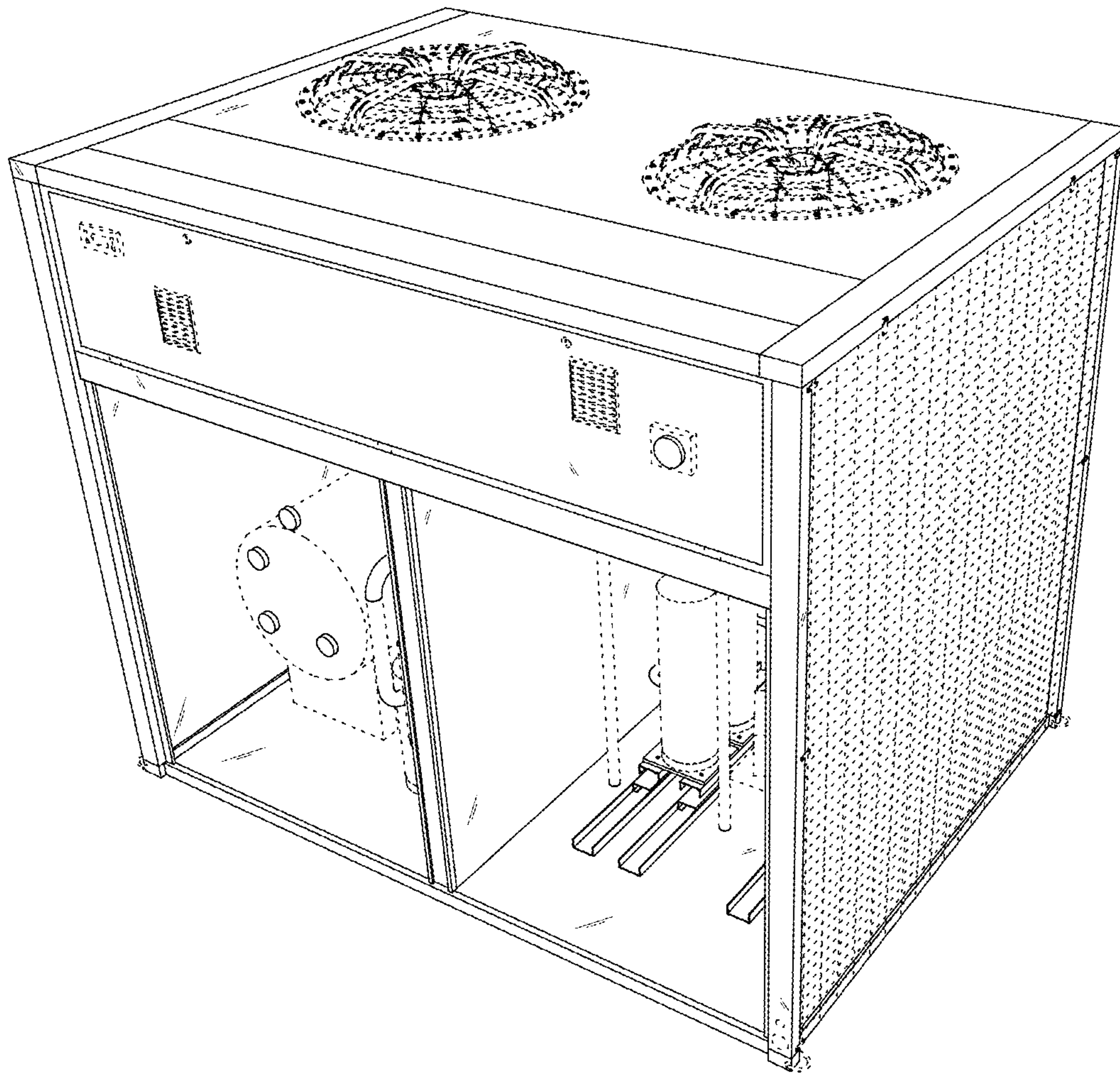


FIG. 8

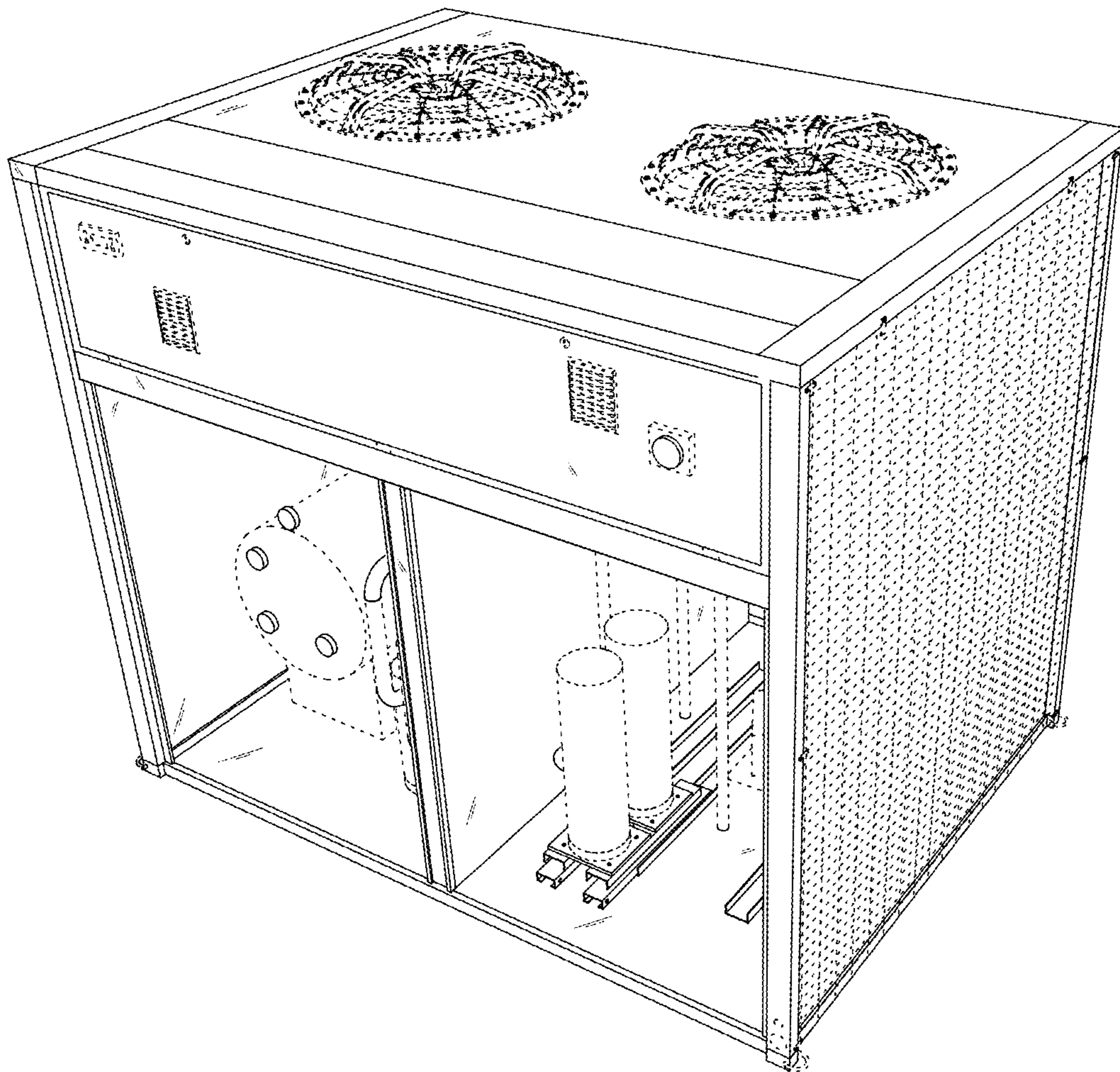


FIG. 9

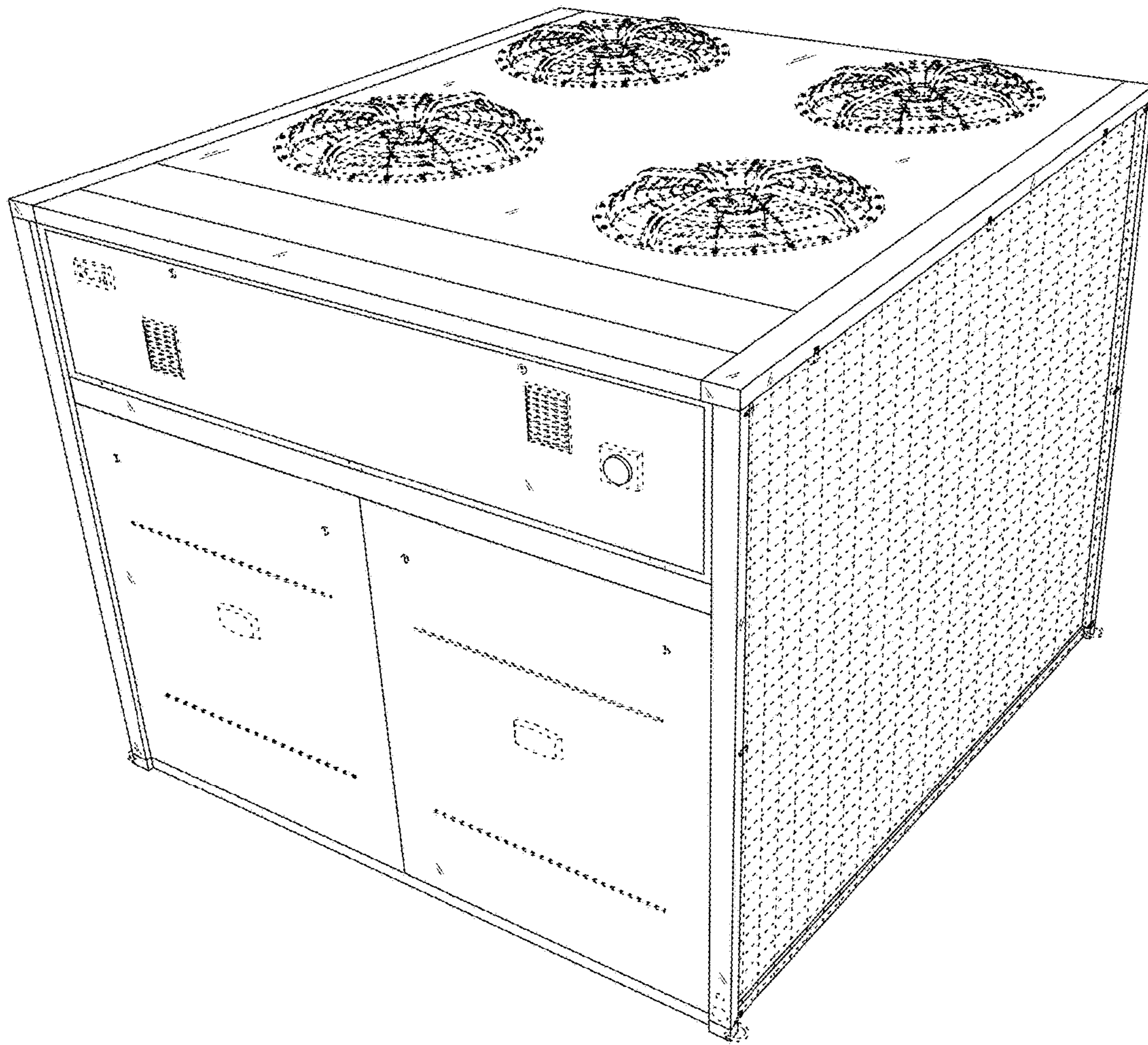


FIG. 10

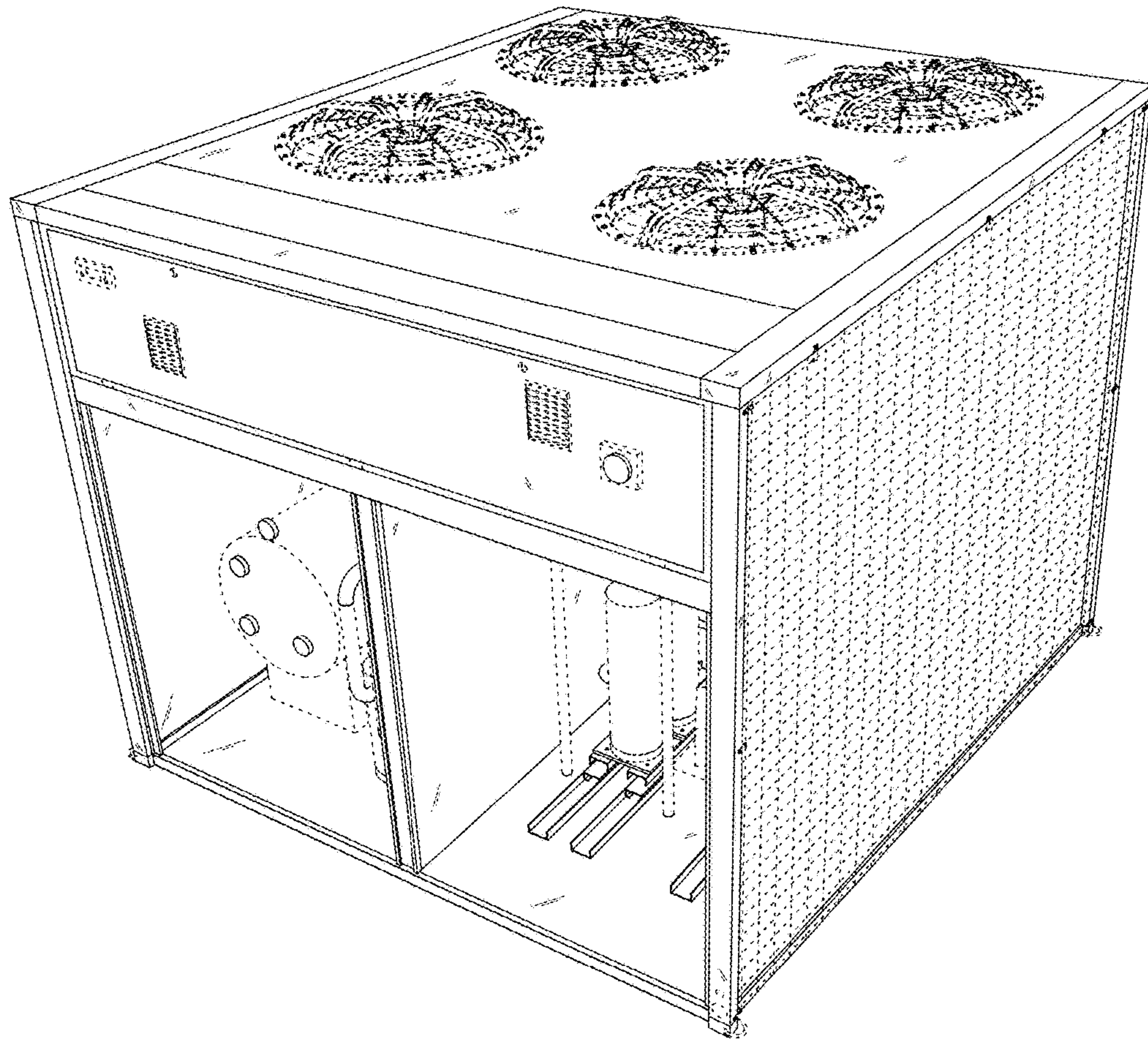


FIG. 11

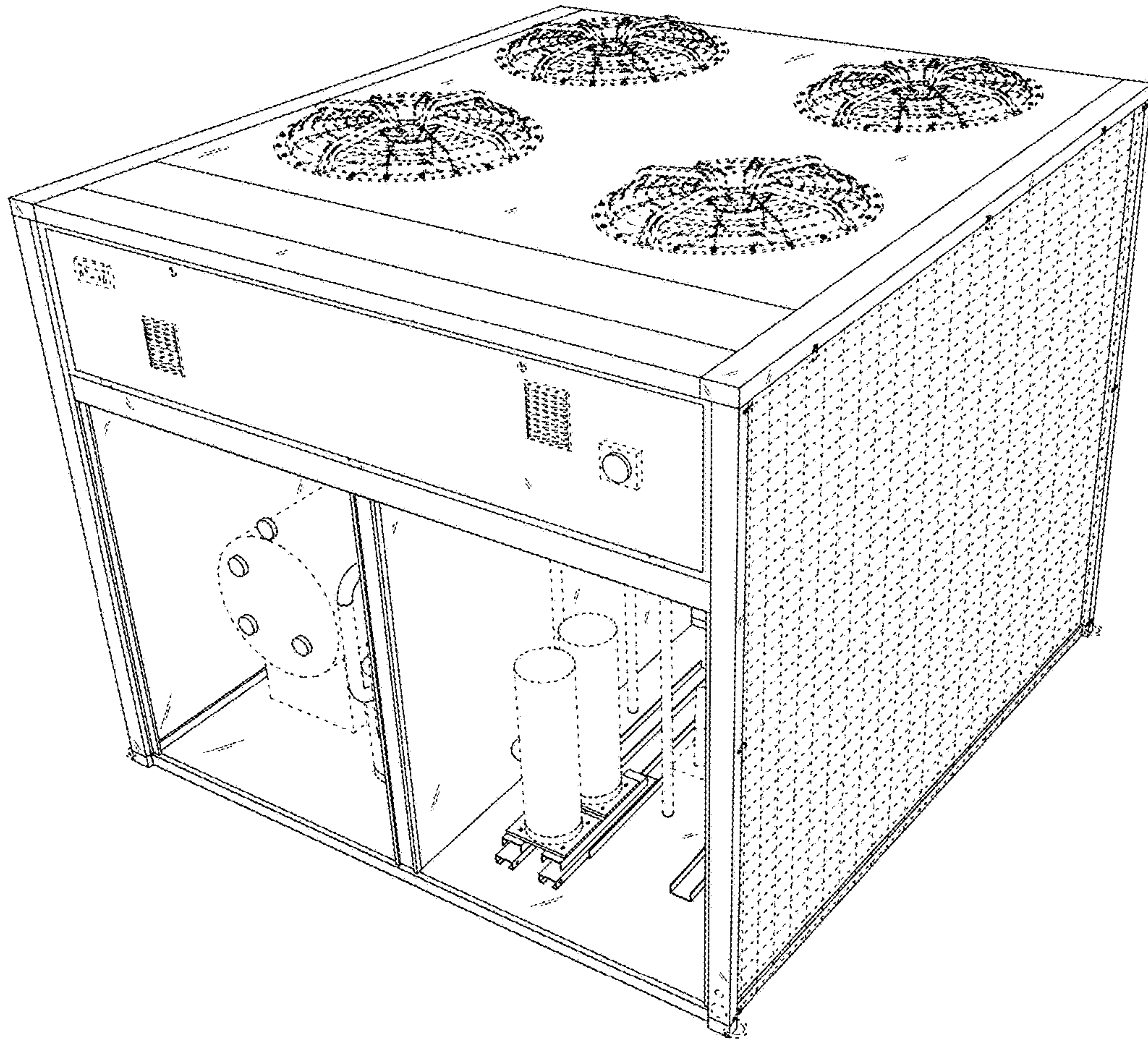


FIG. 12