



US00D809021S

(12) **United States Design Patent** (10) **Patent No.:** **US D809,021 S**
Lüke (45) **Date of Patent:** **** Jan. 30, 2018**

(54) **PUMP**

(56) **References Cited**

(71) Applicant: **OASE GmbH**, Hörstel-Riesenbeck (DE)

U.S. PATENT DOCUMENTS

(72) Inventor: **Wilfried Lüke**, Schloß Holte-Stukenbrock (DE)

D237,011 S *	9/1975	Stroberg et al	D15/7
D329,650 S *	9/1992	Whitley, II	D15/7
D340,724 S *	10/1993	Mariol	D15/7
D395,317 S *	6/1998	Karlsson	D15/7
D500,770 S *	1/2005	Pohler	D15/7
D565,600 S *	4/2008	Tazioli	D15/7
D590,420 S *	4/2009	Casalini	D15/7
D689,908 S *	9/2013	Rogers	D15/7
D700,213 S *	2/2014	Taniguchi	D15/7
D700,214 S *	2/2014	Taniguchi	D15/7
D740,329 S *	10/2015	Gilbert	D15/7

(73) Assignee: **OASE GmbH**, Hörstel-Riesenbeck (DE)

(**) Term: **15 Years**

* cited by examiner

(21) Appl. No.: **29/562,683**

Primary Examiner — Ralf Seifert

(22) Filed: **Apr. 28, 2016**

(74) *Attorney, Agent, or Firm* — Gudrun E. Huckett

(30) **Foreign Application Priority Data**

(57) **CLAIM**

Oct. 28, 2015 (EM) 002840405-0002

The ornamental design for a pump, as shown and described.

(51) **LOC (11) Cl.** **15-02**

DESCRIPTION

(52) **U.S. Cl.**
USPC **D15/7**

FIG. 1 is a perspective rear view of a pump showing my new design;

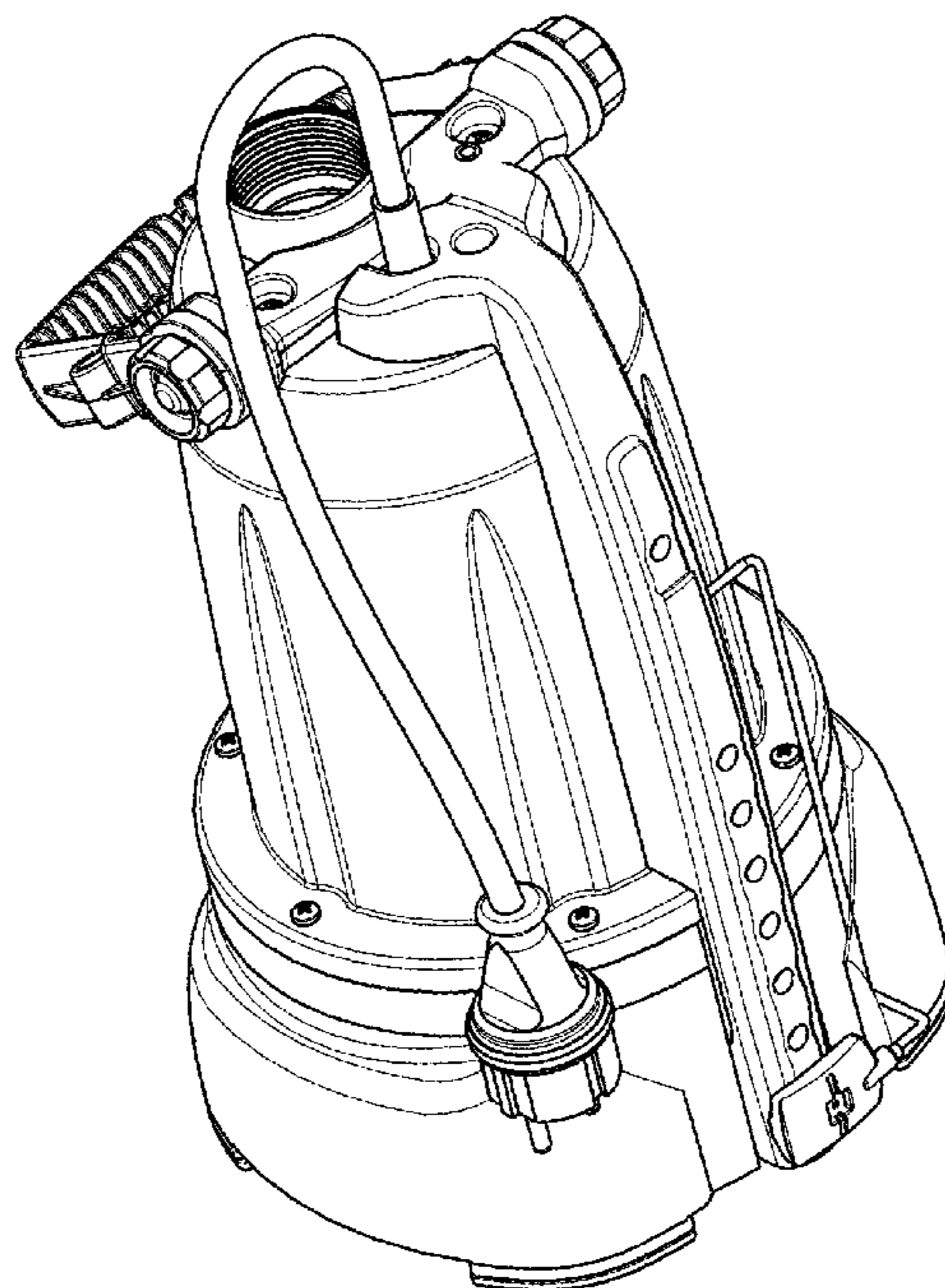
(58) **Field of Classification Search**
USPC D15/7-9; D23/231, 232, 225; 417/60, 417/235, 265, 321, 355, 358, 363, 359, 417/410.1, 415-416, 405, 900, 269, 539; 60/408, 412; 184/26-37; 415/140-147; 123/495, 509; 137/565.34
CPC F02M 37/04; F02M 37/14; F04B 53/92; F04B 1/005

FIG. 2 is a top plan view thereof;
FIG. 3 is a bottom plan view thereof;
FIG. 4 is a rear elevational view thereof;
FIG. 5 is a front elevational view thereof;
FIG. 6 is a left elevational view thereof; and,
FIG. 7 is a right elevational view thereof.

The broken lines are included for the purpose of illustrating portions of the pump that form no part of the claimed design.

See application file for complete search history.

1 Claim, 7 Drawing Sheets



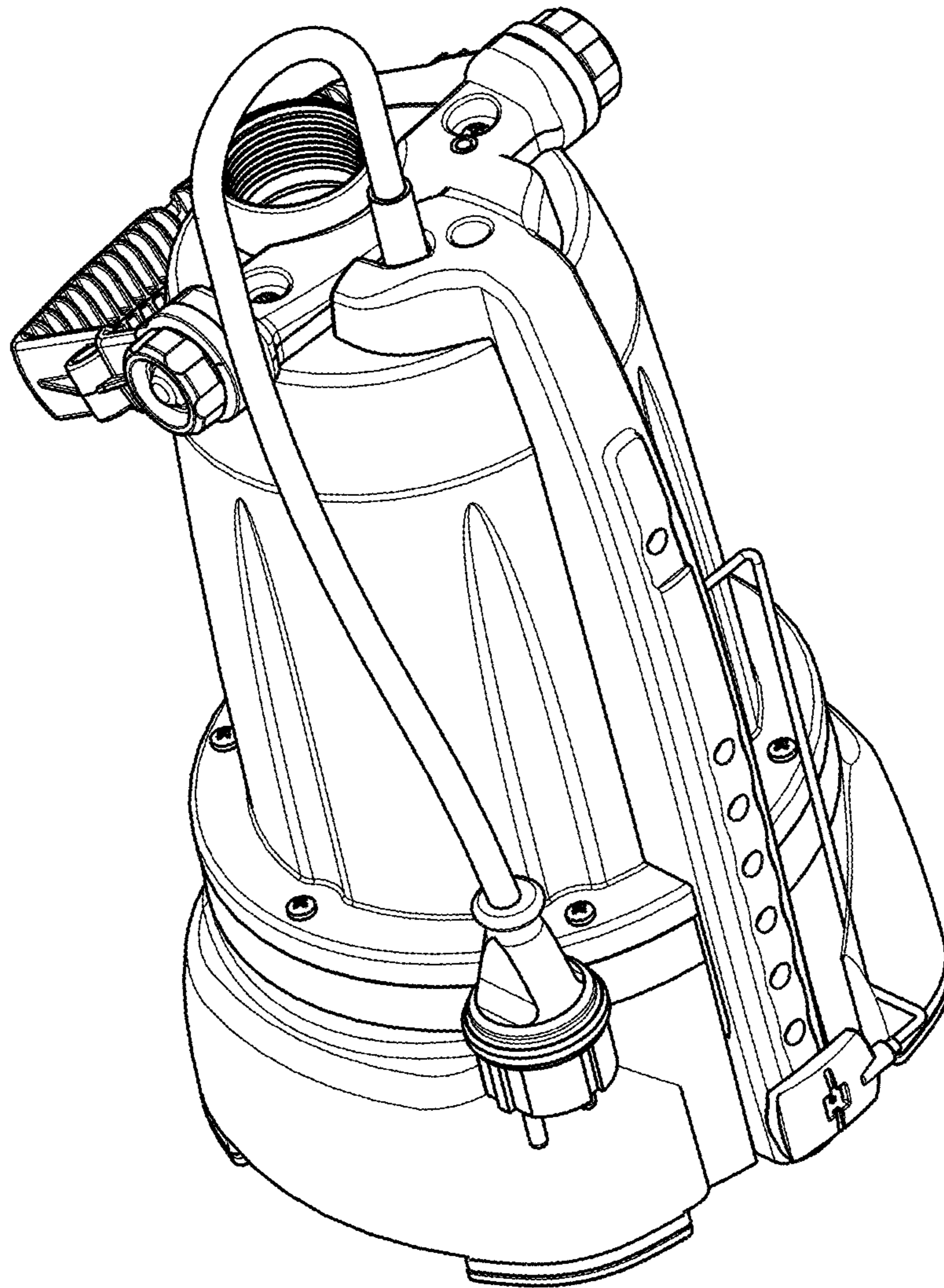


Fig. 1

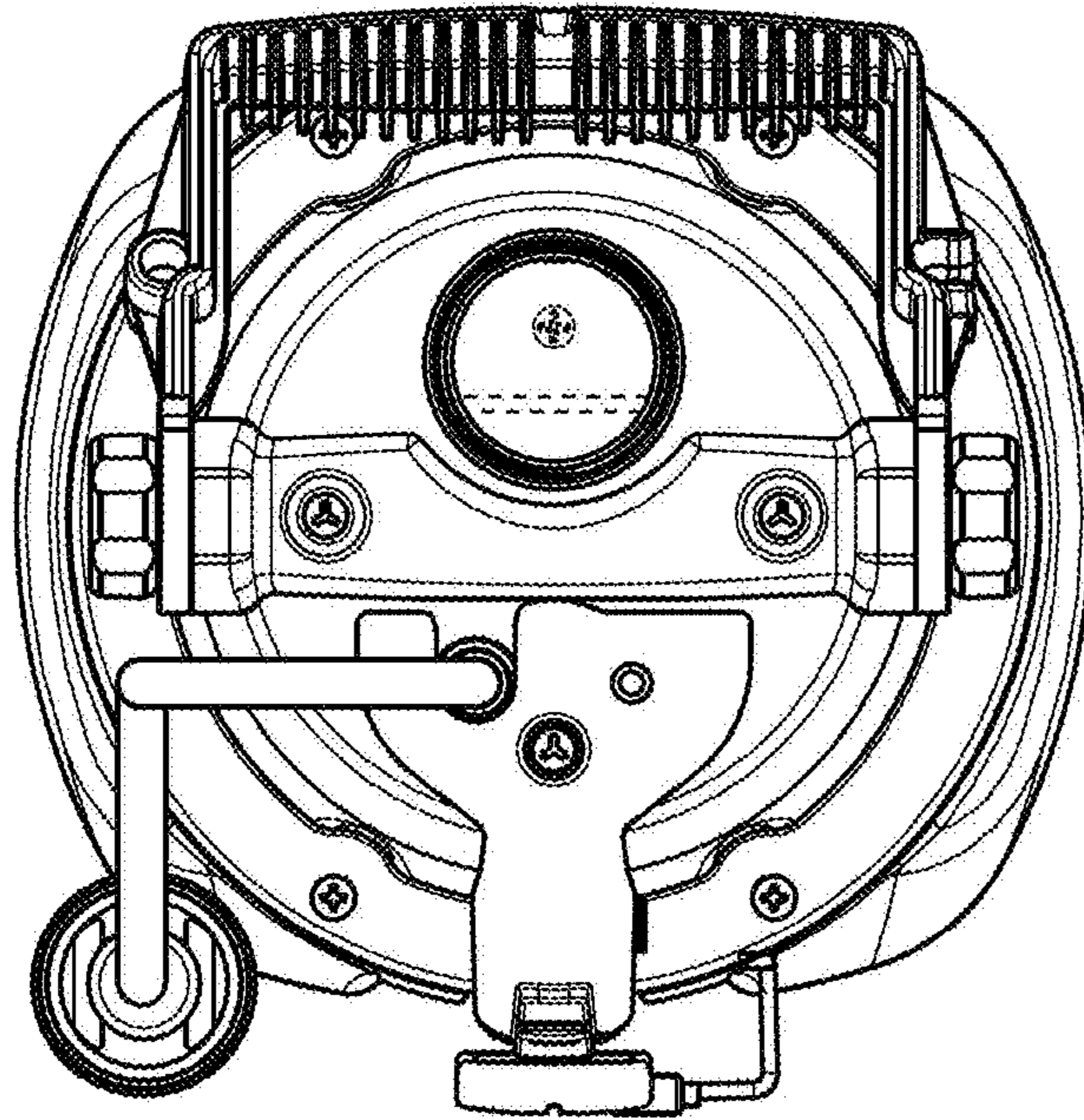


Fig. 2

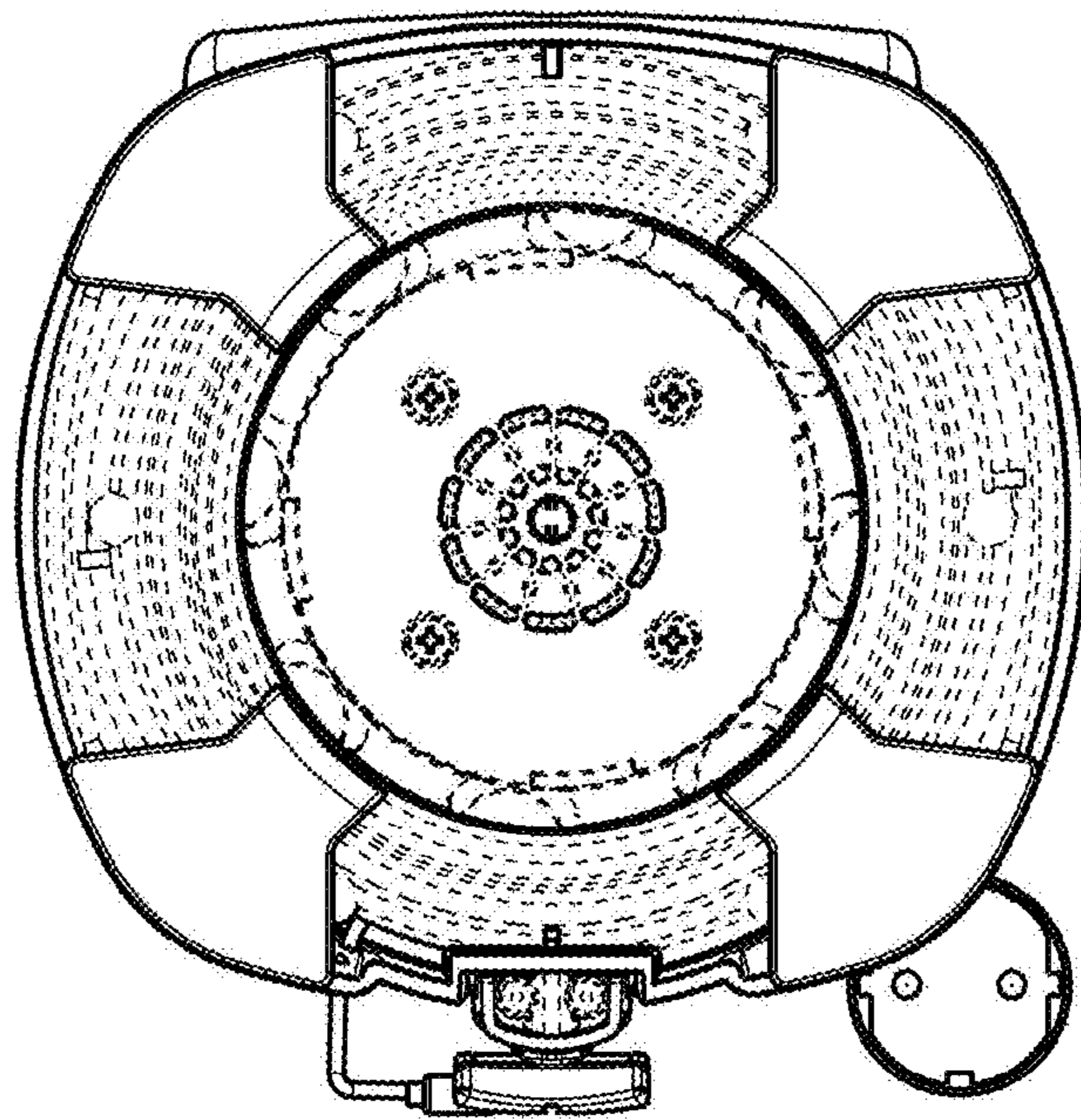


Fig. 3

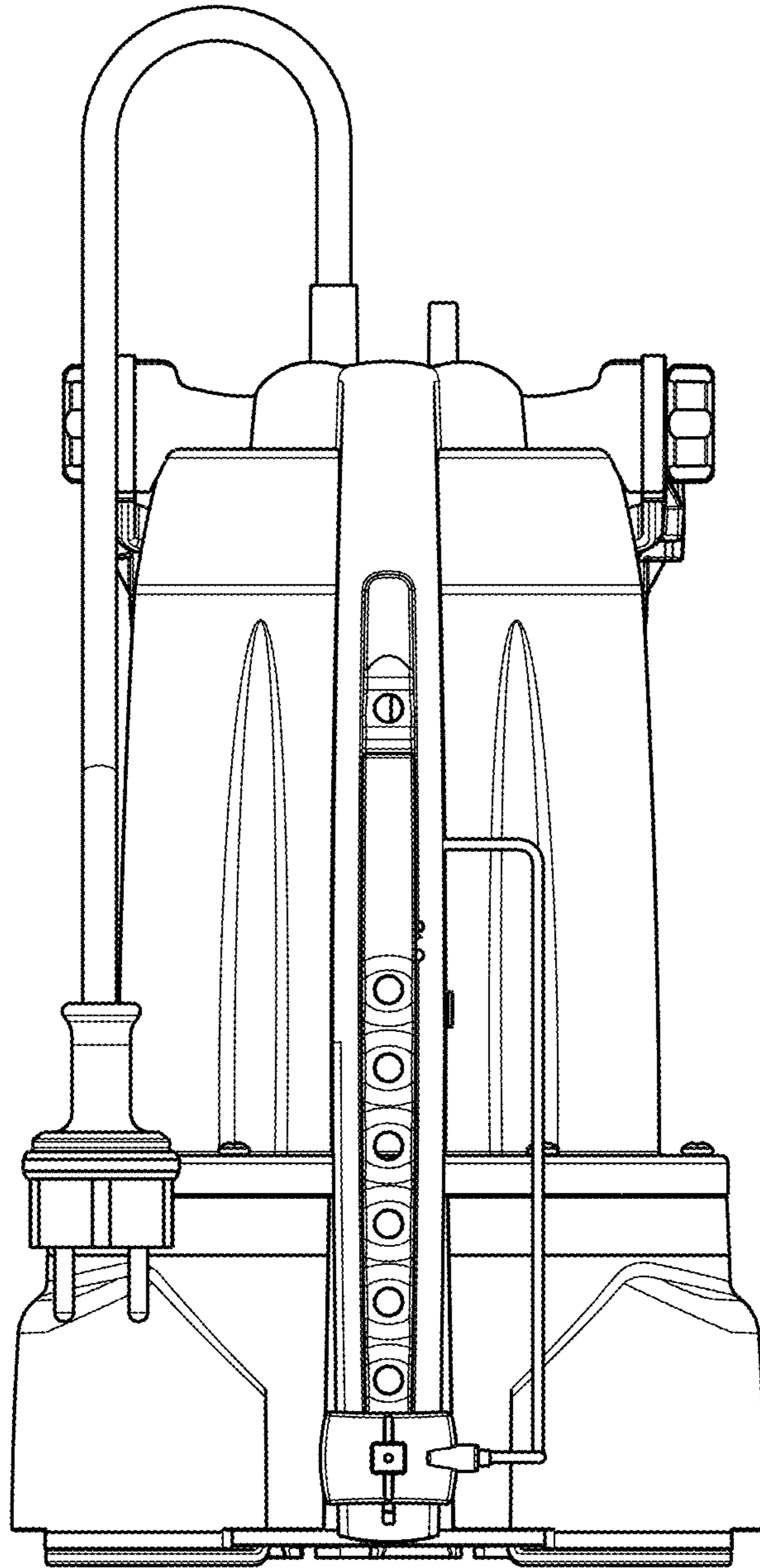


Fig. 4

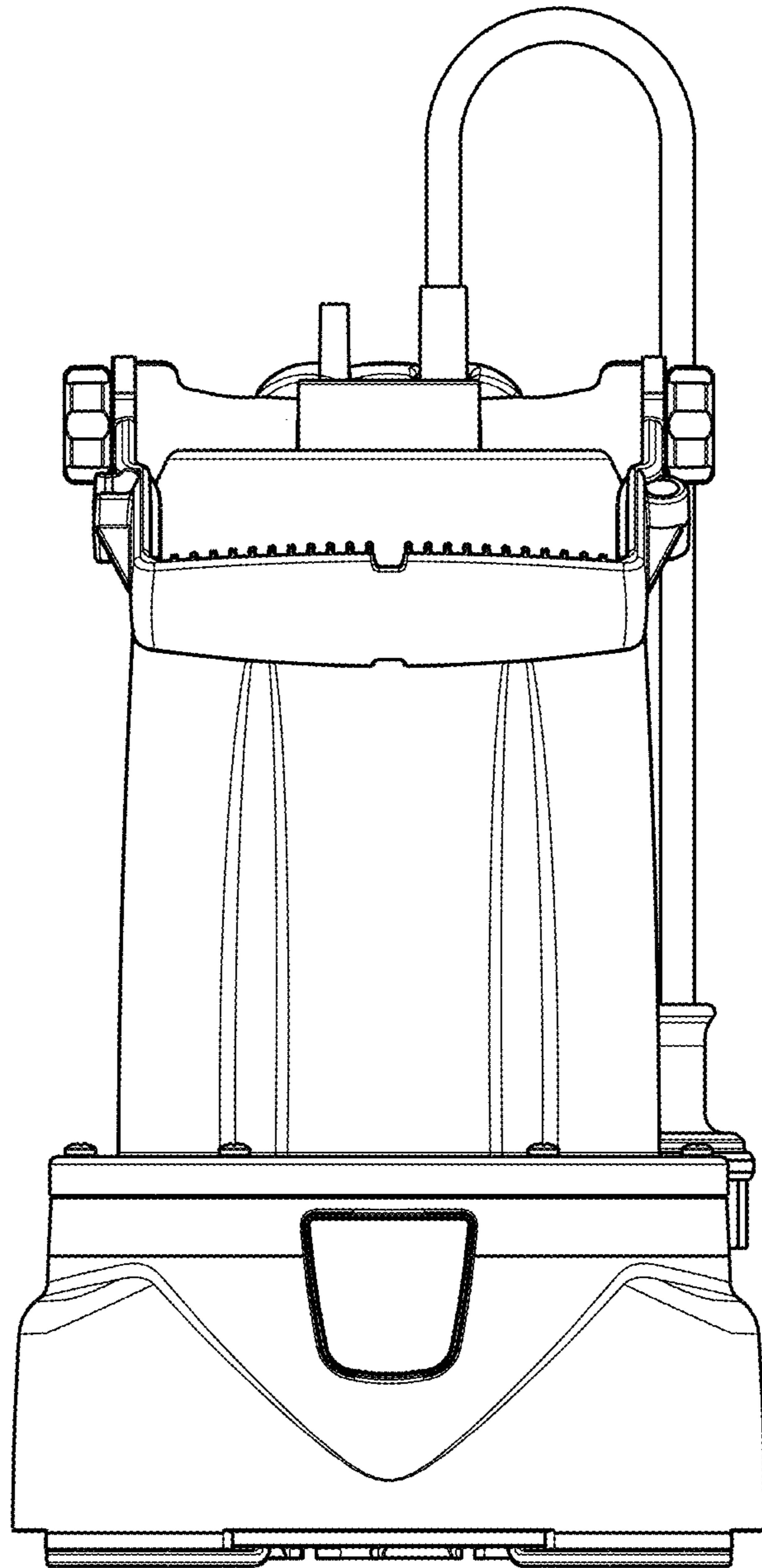


Fig. 5

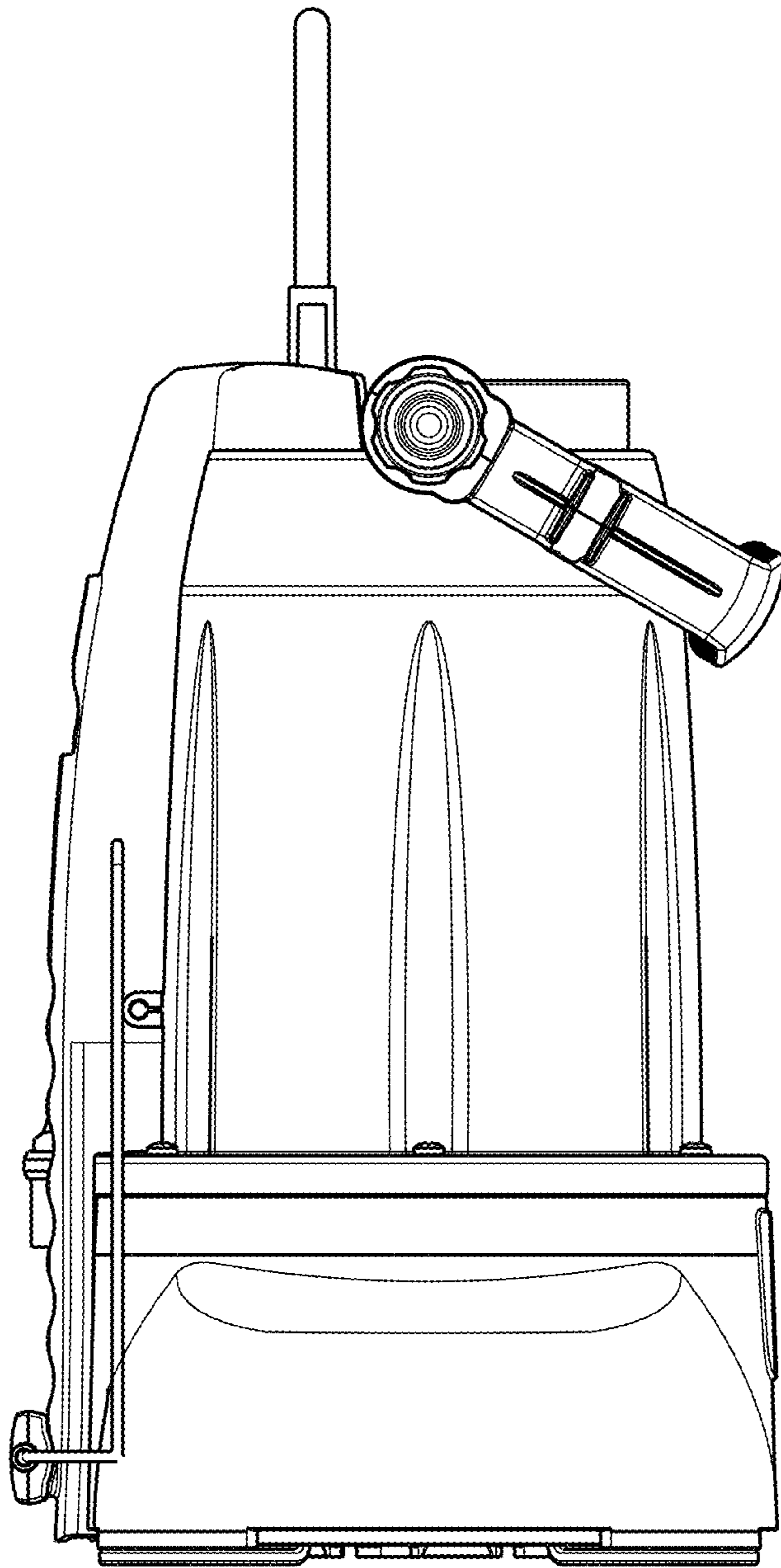


Fig. 6

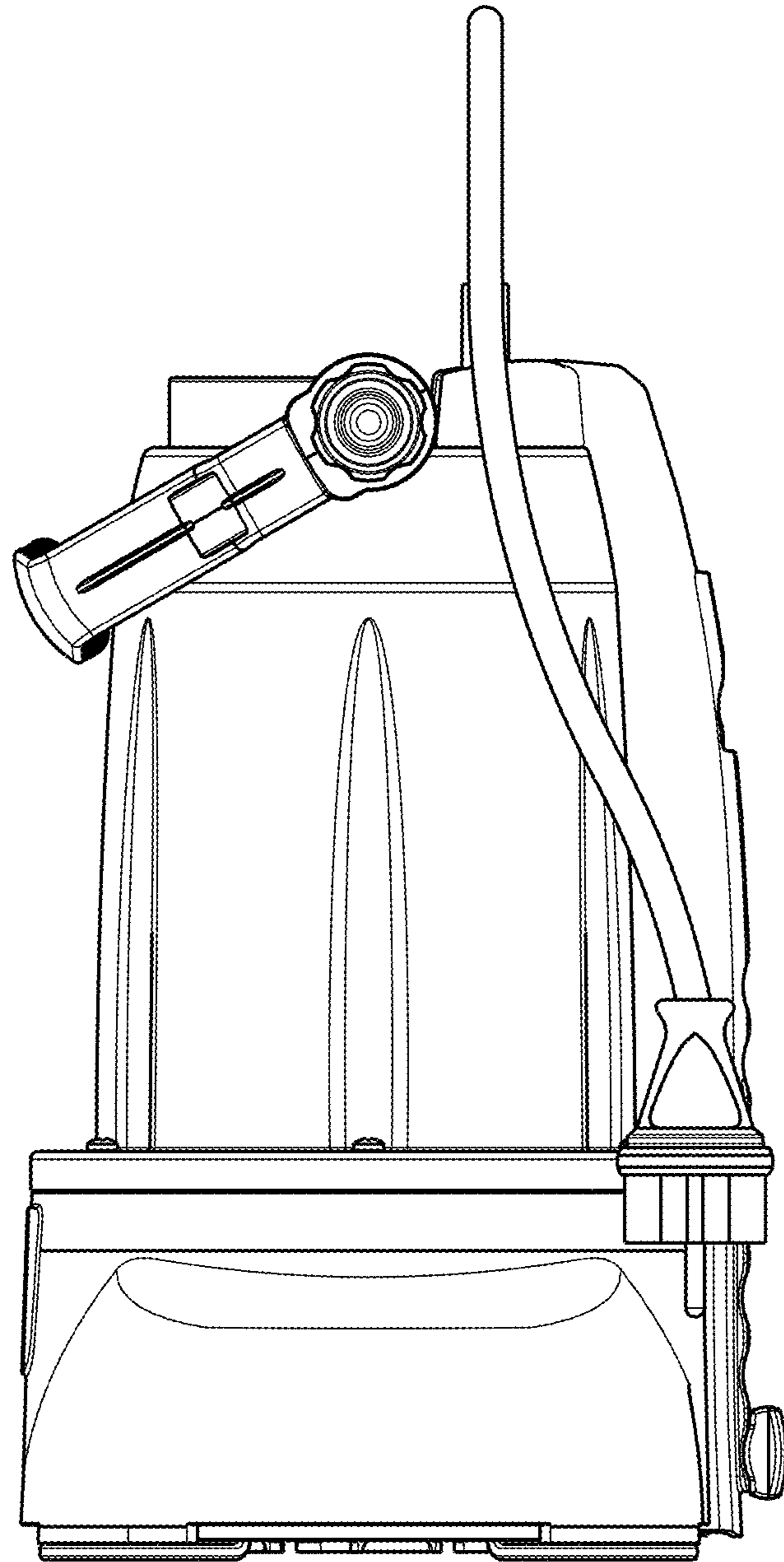


Fig. 7