



US00D809020S

(12) **United States Design Patent** (10) **Patent No.:** **US D809,020 S**
Lüke (45) **Date of Patent:** **** Jan. 30, 2018**

(54) **PUMP**

(56) **References Cited**

(71) Applicant: **OASE GmbH**, Hörstel-Riesenbeck (DE)

U.S. PATENT DOCUMENTS

(72) Inventor: **Wilfried Lüke**, Schloß Holte-Stukenbrock (DE)

D237,011 S *	9/1975	Stroberg	D15/7
D329,650 S *	9/1992	Whitley, II	D15/7
D340,724 S *	10/1993	Mariol	D15/7
D395,317 S *	6/1998	Karlsson	D15/7
D500,770 S *	1/2005	Pohler	D15/7
D565,600 S *	4/2008	Tazioli	D15/7
D590,420 S *	4/2009	Casalini	D15/7
D700,213 S *	2/2014	Taniguchi	D15/7
D700,214 S *	2/2014	Taniguchi	D15/7
D740,329 S *	10/2015	Gilbert	D15/7

(73) Assignee: **OASE GmbH**, Hörstel-Riesenbeck (DE)

(**) Term: **15 Years**

* cited by examiner

(21) Appl. No.: **29/562,682**

Primary Examiner — Ralf T Seifert

(22) Filed: **Apr. 28, 2016**

(74) *Attorney, Agent, or Firm* — Gudrun E. Huckett

(30) **Foreign Application Priority Data**

(57) **CLAIM**

Oct. 28, 2015 (EM) 002840405-0001

The ornamental design for a pump, as shown and described.

(51) **LOC (11) Cl.** **15-02**

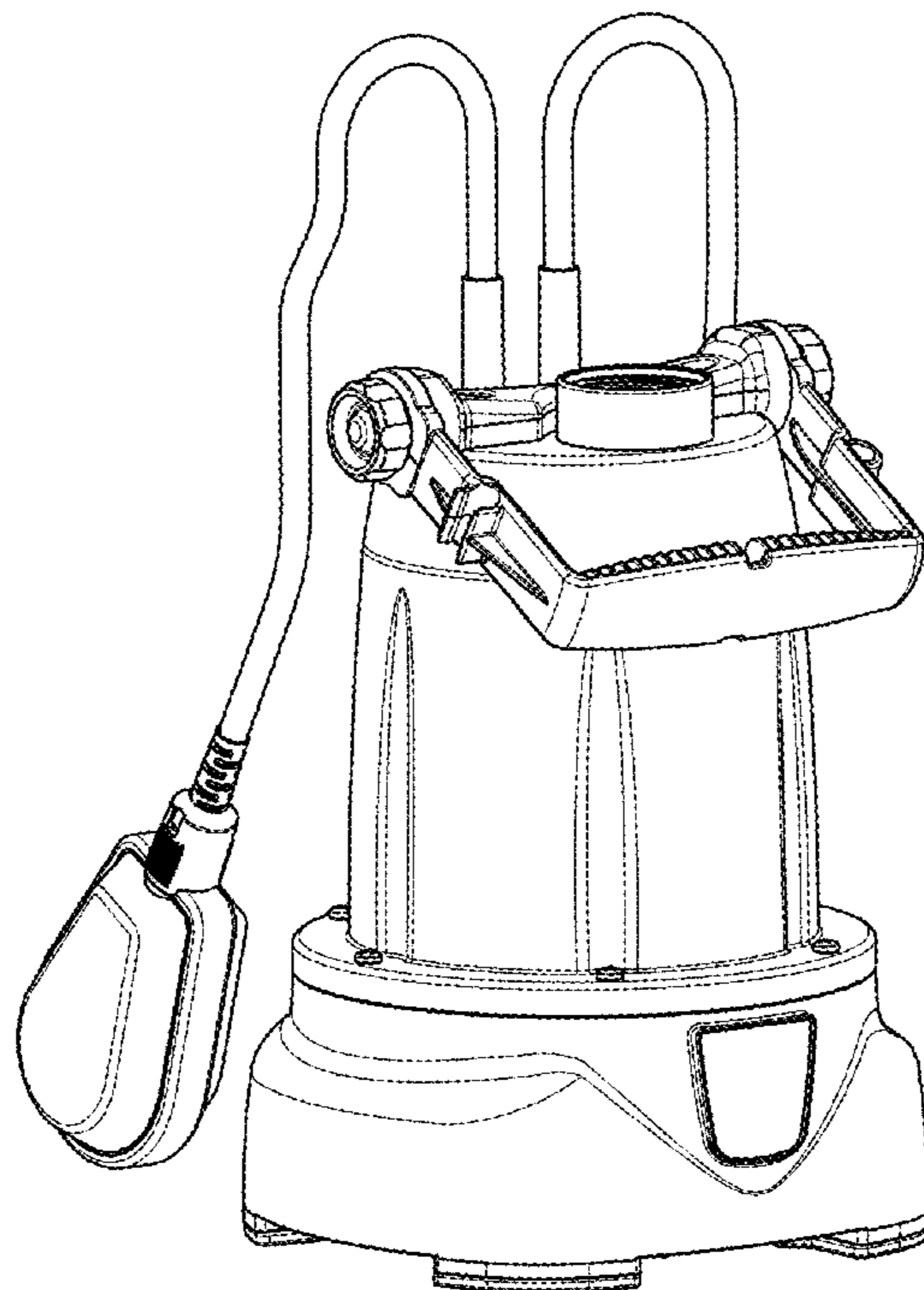
DESCRIPTION

(52) **U.S. Cl.**
USPC **D15/7**

(58) **Field of Classification Search**
USPC D15/7-9; D23/231, 232, 225; 417/60, 417/235, 265, 321, 355, 358, 363, 359, 417/410.1, 415-416, 405, 900, 269, 539; 60/408, 412; 184/26-37; 415/140-147; 123/495, 509; 137/565.34
CPC F02M 37/04; F02M 37/14; F04B 53/92; F04B 1/005
See application file for complete search history.

FIG. 1 is a perspective front view of a pump showing my new design;
FIG. 2 is a top plan view thereof;
FIG. 3 is a bottom plan view thereof;
FIG. 4 is a rear elevational view thereof;
FIG. 5 is a front elevational view thereof;
FIG. 6 is a left elevational view thereof; and,
FIG. 7 is a right elevational view thereof.
The broken lines are included for the purpose of illustrating portions of the pump that form no part of the claimed design.

1 Claim, 7 Drawing Sheets



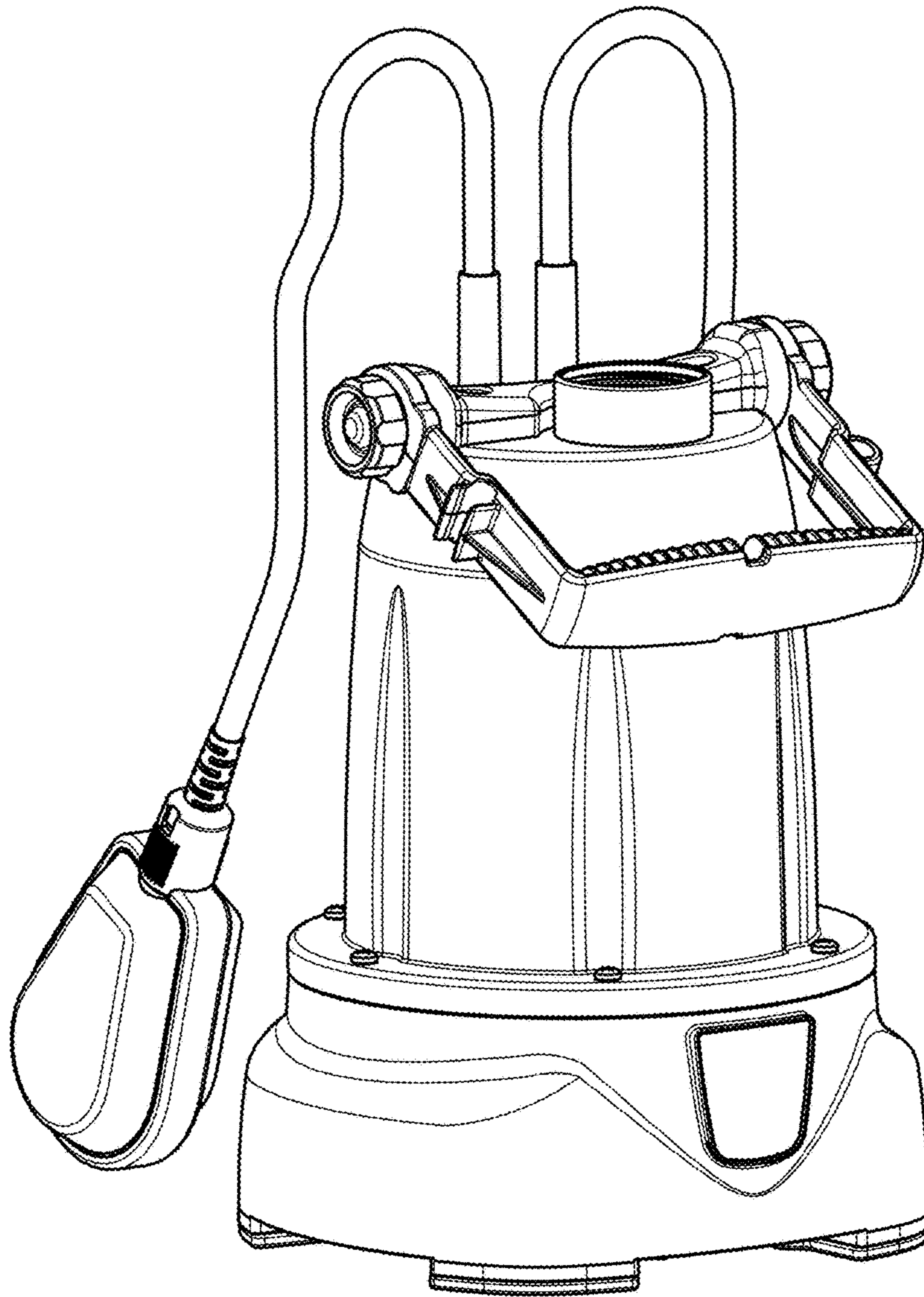


Fig. 1

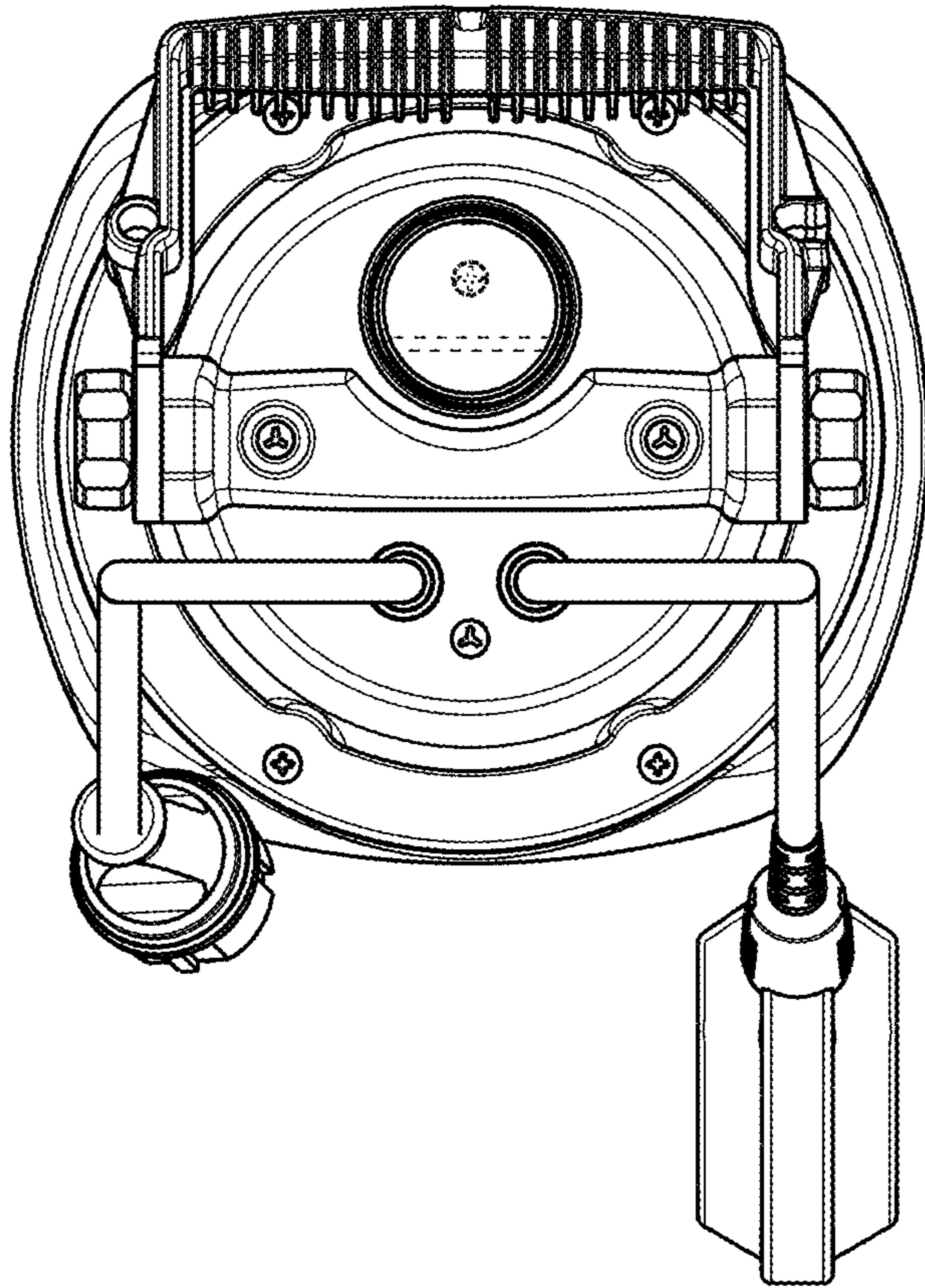


Fig. 2

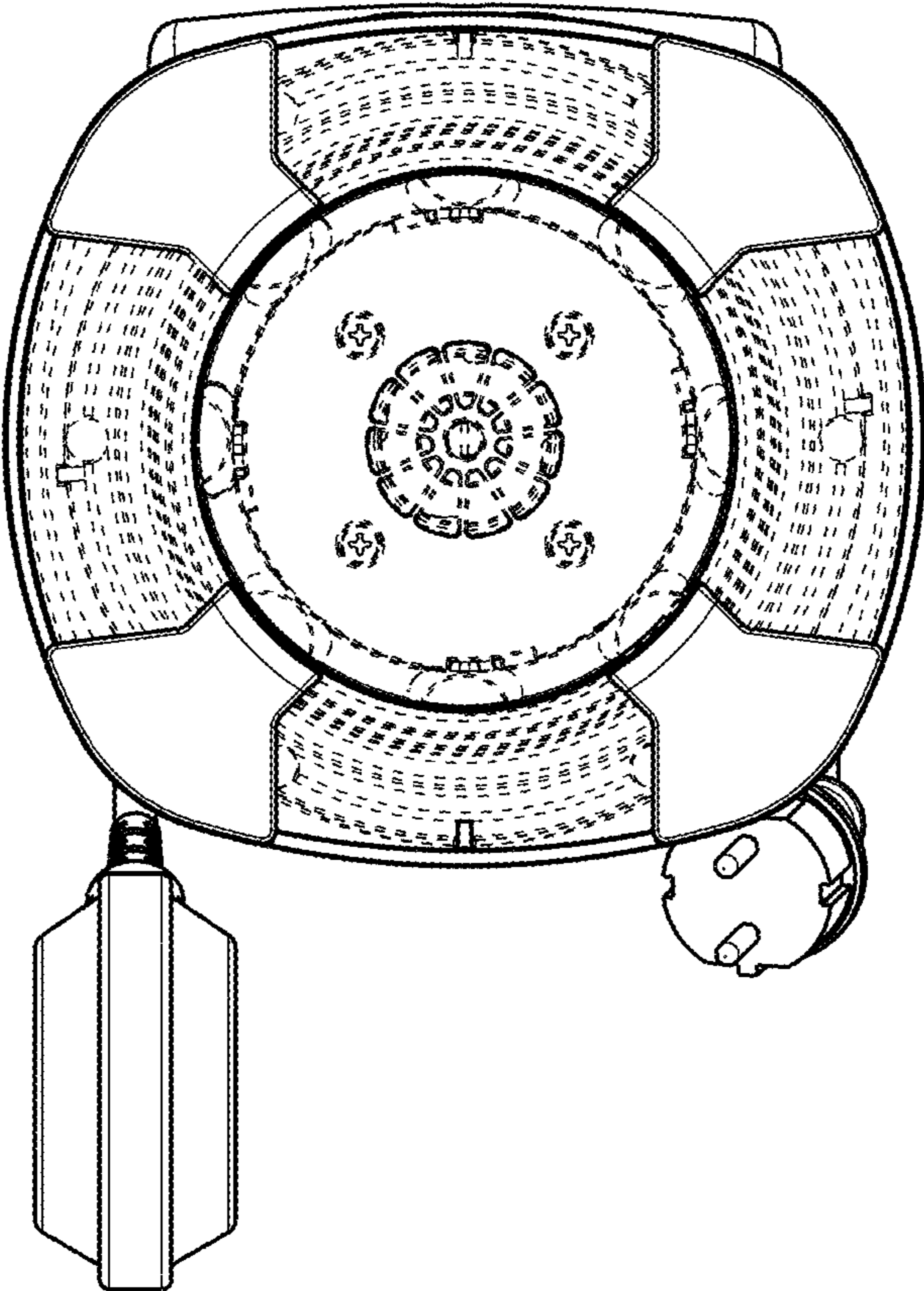


Fig. 3

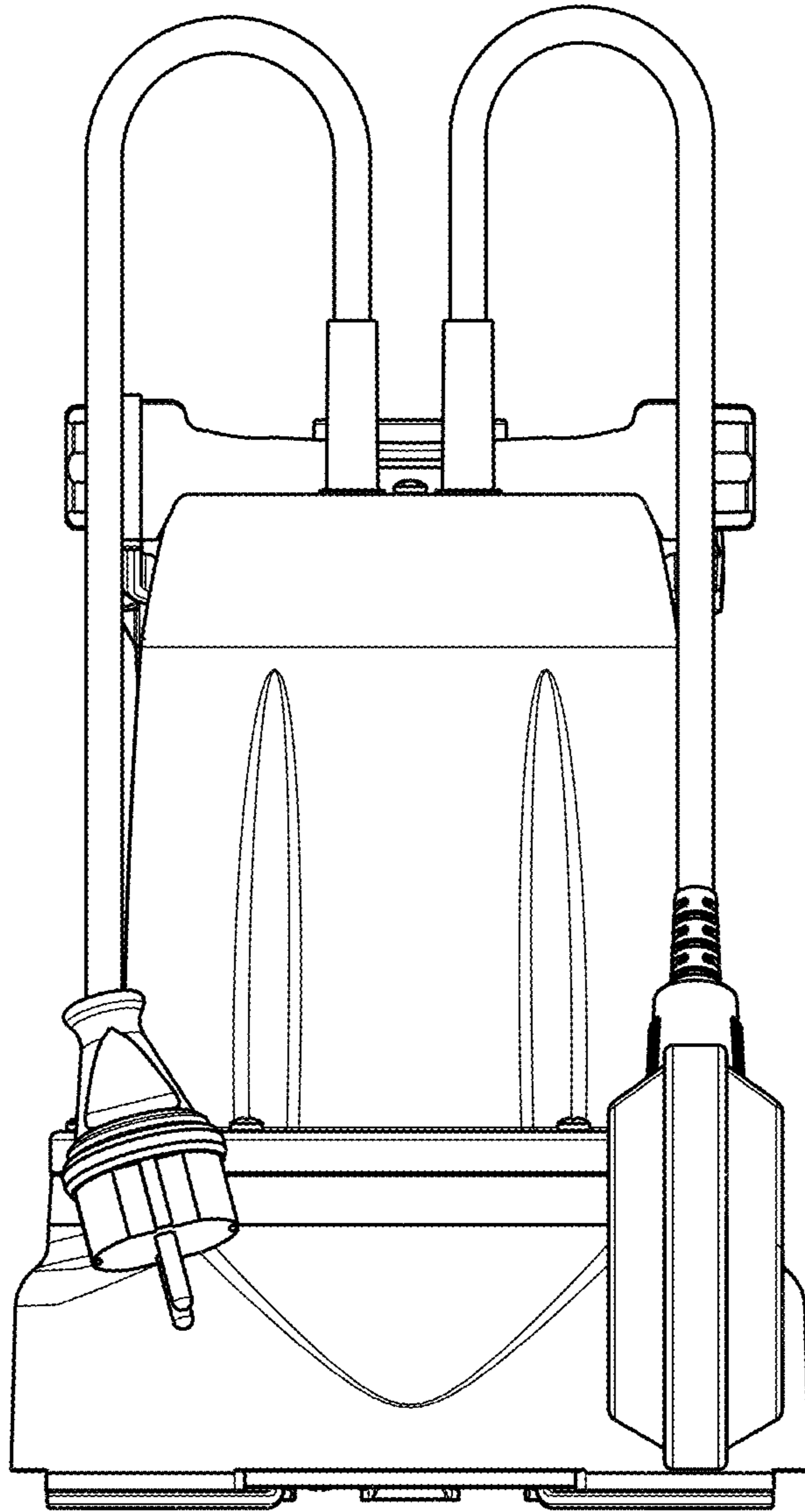


Fig. 4

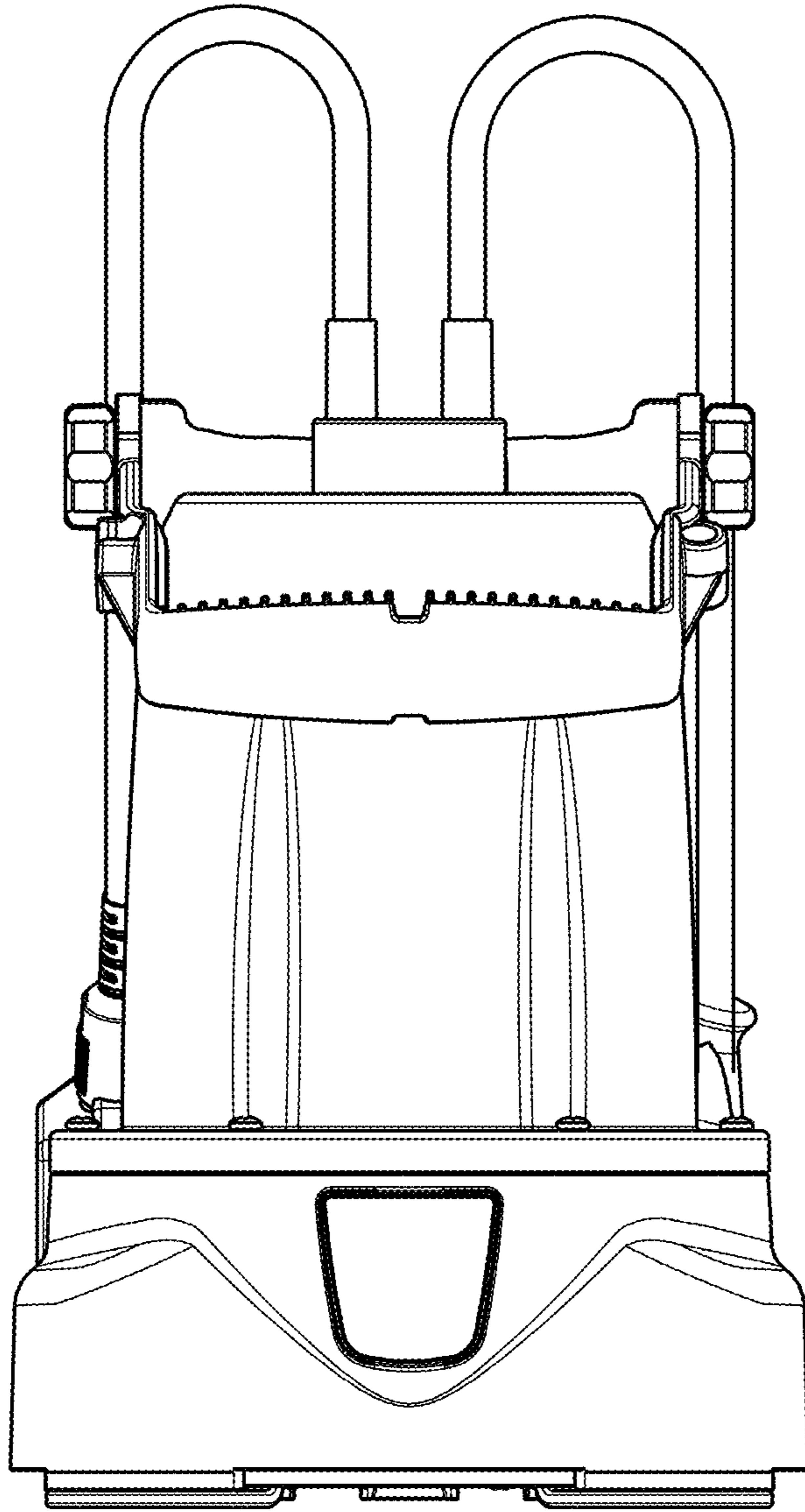


Fig. 5

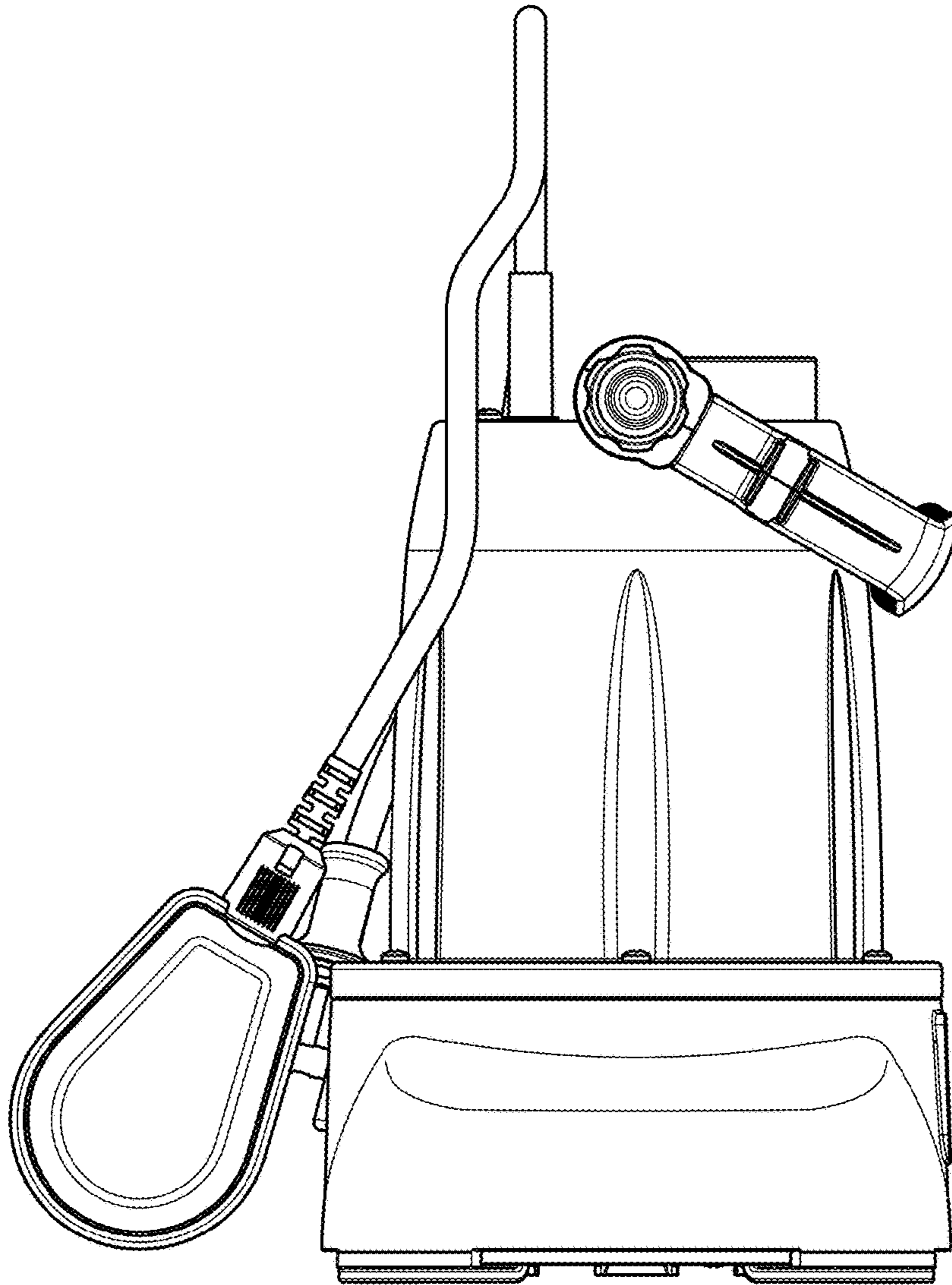


Fig. 6

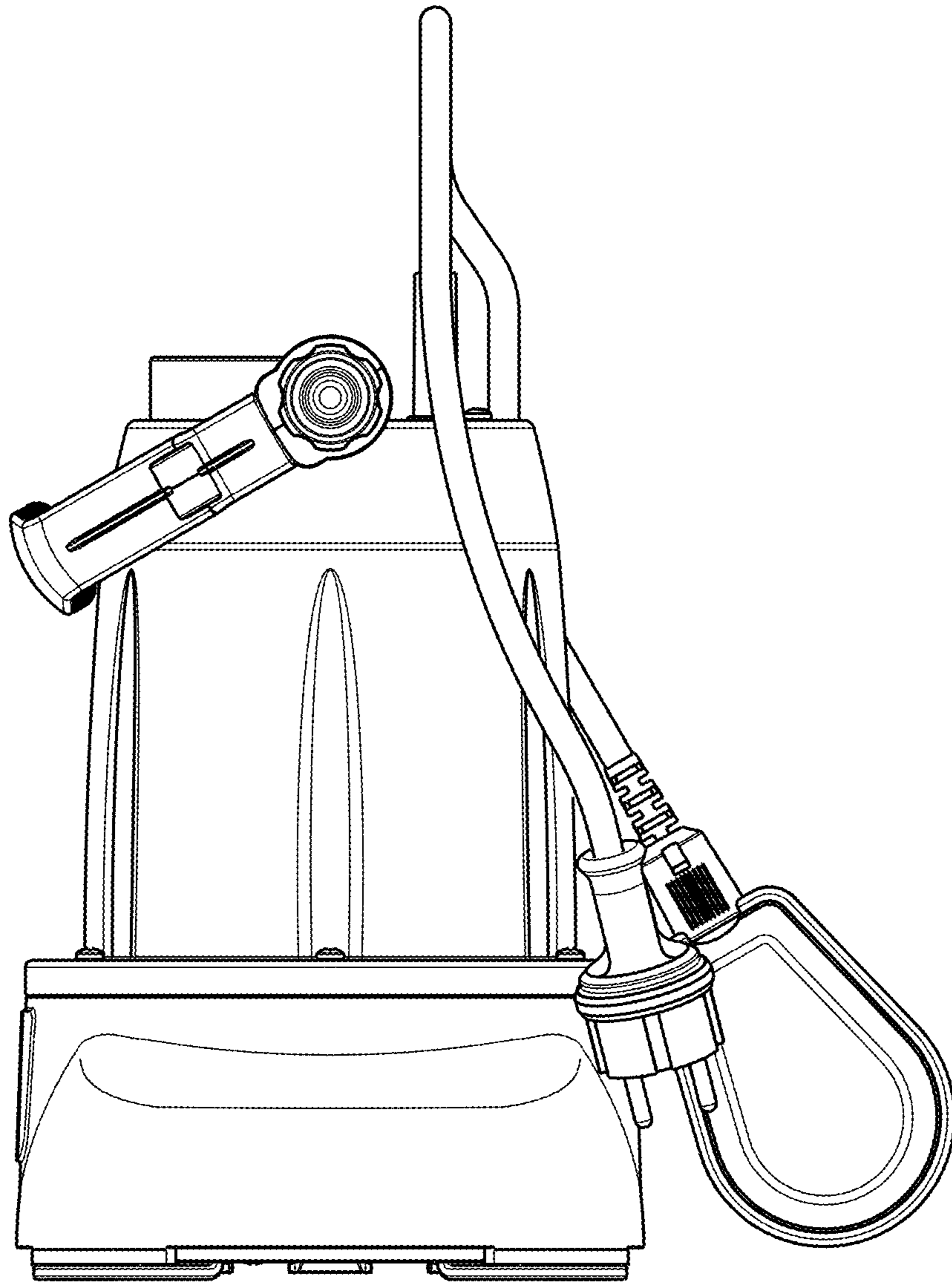


Fig. 7