



US00D809019S

(12) **United States Design Patent**
Armstrong

(10) **Patent No.:** **US D809,019 S**
(45) **Date of Patent:** **** Jan. 30, 2018**

(54) **BELT GUARD**

(71) Applicant: **Gary Don Armstrong**, Loomis, CA
(US)

(72) Inventor: **Gary Don Armstrong**, Loomis, CA
(US)

(**) Term: **15 Years**

(21) Appl. No.: **29/587,032**

(22) Filed: **Dec. 8, 2016**

(51) **LOC (11) Cl.** **15-01**

(52) **U.S. Cl.**
USPC **D15/5**

(58) **Field of Classification Search**
USPC D15/5, 6, 7, 9, 9.1, 4, 149; D12/110,
D12/114, 126, 127
CPC F01M 2001/126; F01M 2001/123; F01M
1/12; F01M 2011/0083; F01M 11/0004;
F01M 1/02
See application file for complete search history.

(56) **References Cited**

U.S. PATENT DOCUMENTS

D246,586 S *	12/1977	Cognata	D15/12
4,139,064 A *	2/1979	Dobberpuhl	A01B 33/082
				172/125
4,508,072 A *	4/1985	Takami	F02F 7/0073
				123/195 A
5,937,817 A *	8/1999	Schanz	F01M 5/002
				123/195 C
6,338,688 B1 *	1/2002	Minami	F16H 57/029
				474/144
D570,746 S *	6/2008	Arndt	D12/126
D605,088 S *	12/2009	Tanaka	D12/110
D626,894 S *	11/2010	Holcomb	D12/126
D656,867 S *	4/2012	Uemoto	D12/110
8,840,496 B2 *	9/2014	Yamanishi	B60K 11/08
				180/68.1

D771,146 S *	11/2016	Choi	D15/5
D788,177 S *	5/2017	Choi	D15/5
2004/0031635 A1 *	2/2004	Pichler	B60K 5/04
				180/190
2006/0160646 A1 *	7/2006	Jaszkowiak	F16H 57/031
				474/144
2007/0219030 A1 *	9/2007	Ho	F16H 57/035
				474/144
2007/0277751 A1 *	12/2007	Lin	F01M 1/02
				123/41.44
2015/0005119 A1 *	1/2015	Hwang	F02B 67/06
				474/101
2015/0024890 A1 *	1/2015	Eberhardt	F16H 57/0416
				474/144

(Continued)

Primary Examiner — T. Chase Nelson
Assistant Examiner — Ania Aman
(74) *Attorney, Agent, or Firm* — Quickpatents, LLC;
Kevin Prince

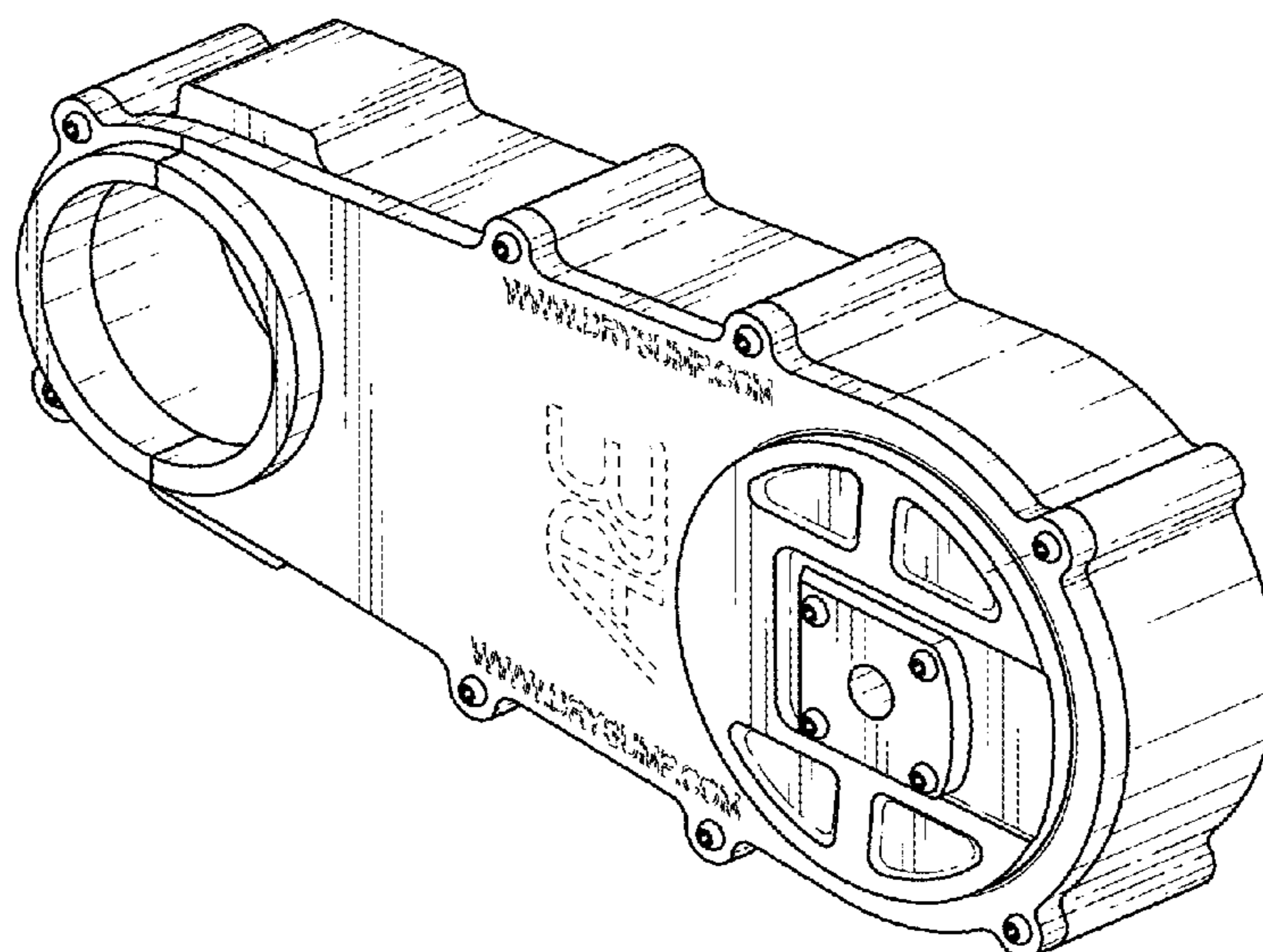
(57) **CLAIM**

I claim the ornamental design for a belt guard, as shown and described.

DESCRIPTION

FIG. 1 is an exploded perspective view of a belt guard showing my new design;
FIG. 2 is a perspective view of FIG. 1;
FIG. 3 is a front elevational view of FIG. 1;
FIG. 4 is a rear elevational view of FIG. 1;
FIG. 5 is a bottom plan view of FIG. 1;
FIG. 6 is a top plan view of FIG. 1;
FIG. 7 is a right-side elevational view of FIG. 1; and,
FIG. 8 is a left-side elevational view of FIG. 1.
The broken lines showing an engine, a belt, and gears in FIG. 1 and text and a logo in FIGS. 1-3 depict environmental matter and form no part of the claimed design. The broken lines in FIG. 4 depict portions of the rear side of the belt guard that form no part of the claimed design.

1 Claim, 5 Drawing Sheets



(56)

References Cited

U.S. PATENT DOCUMENTS

2015/0128886 A1* 5/2015 Ogino F01M 11/02
123/54.4
2015/0377341 A1* 12/2015 Renner F16H 57/0489
474/93
2017/0114686 A1* 4/2017 Tsukamoto F01M 11/02
2017/0211572 A1* 7/2017 Jeong F04C 11/006

* cited by examiner

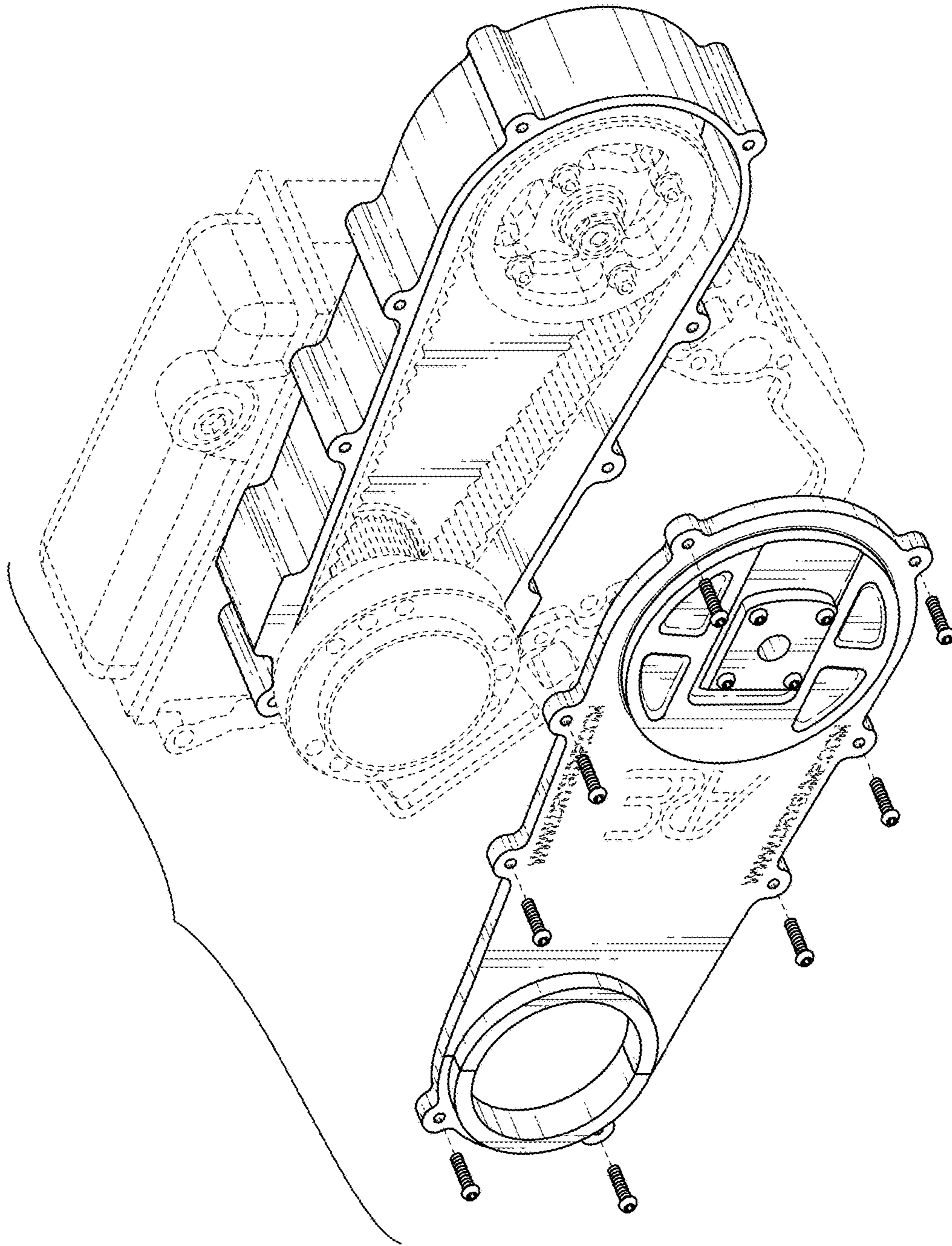


FIG. 1

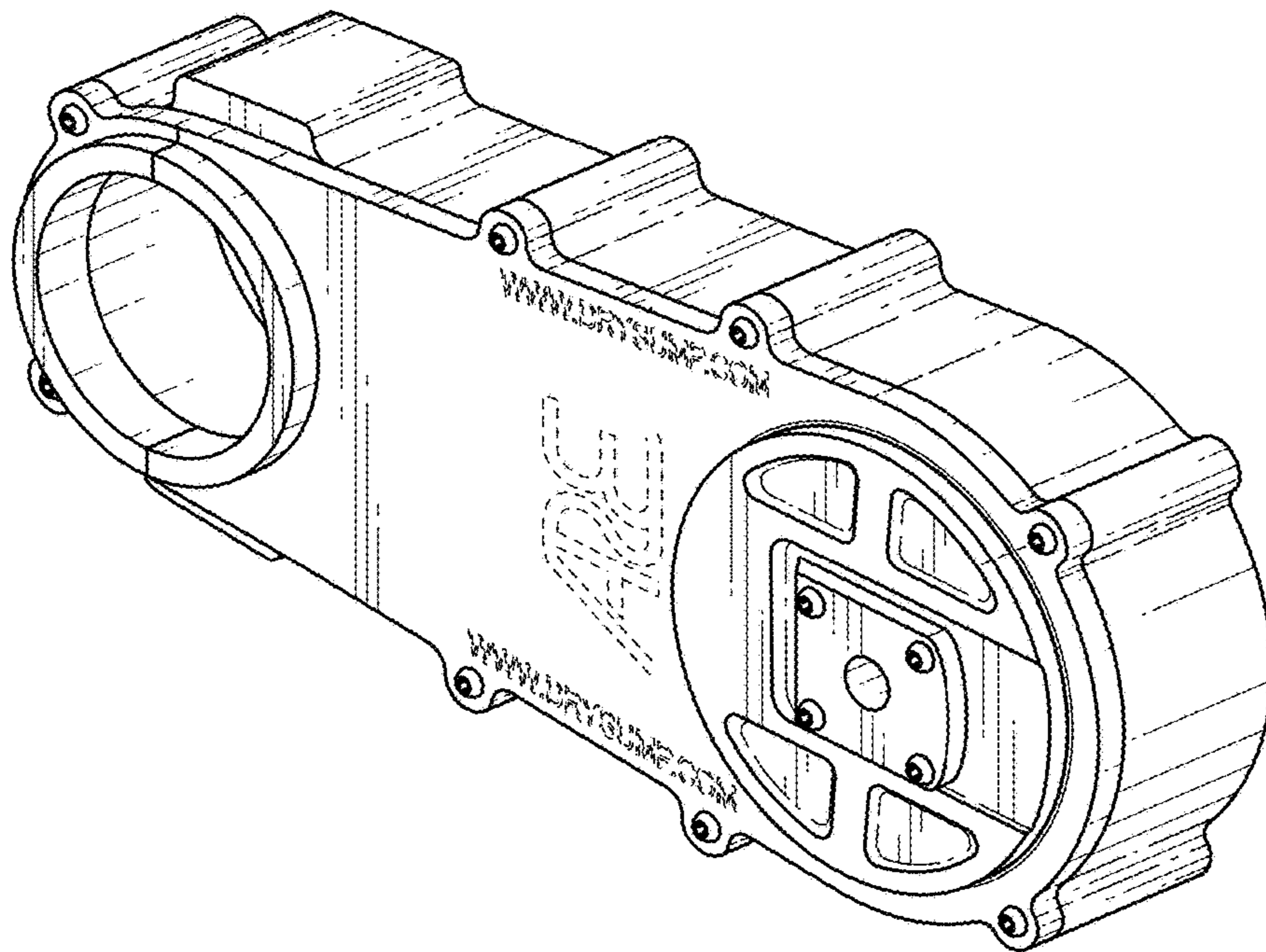


FIG. 2

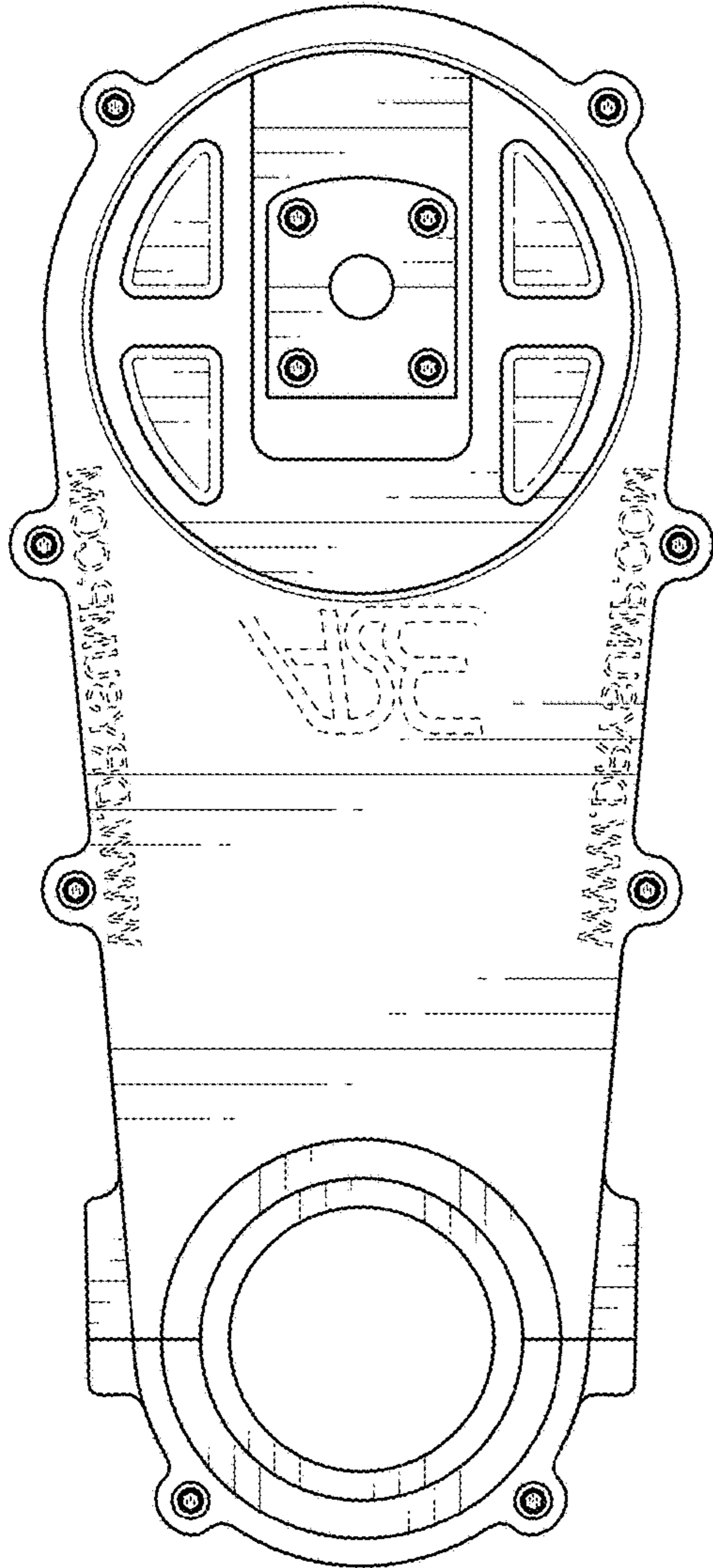


FIG. 3

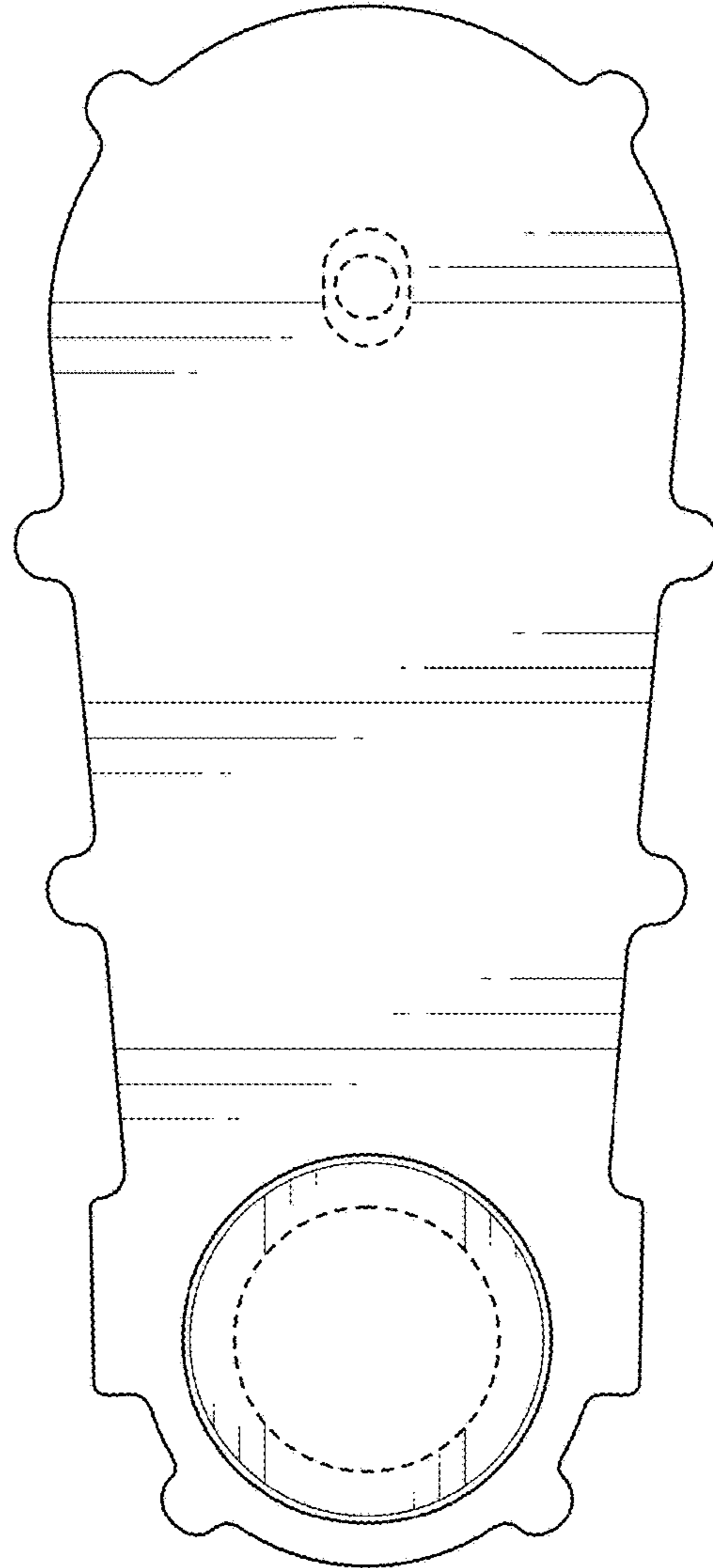


FIG. 4

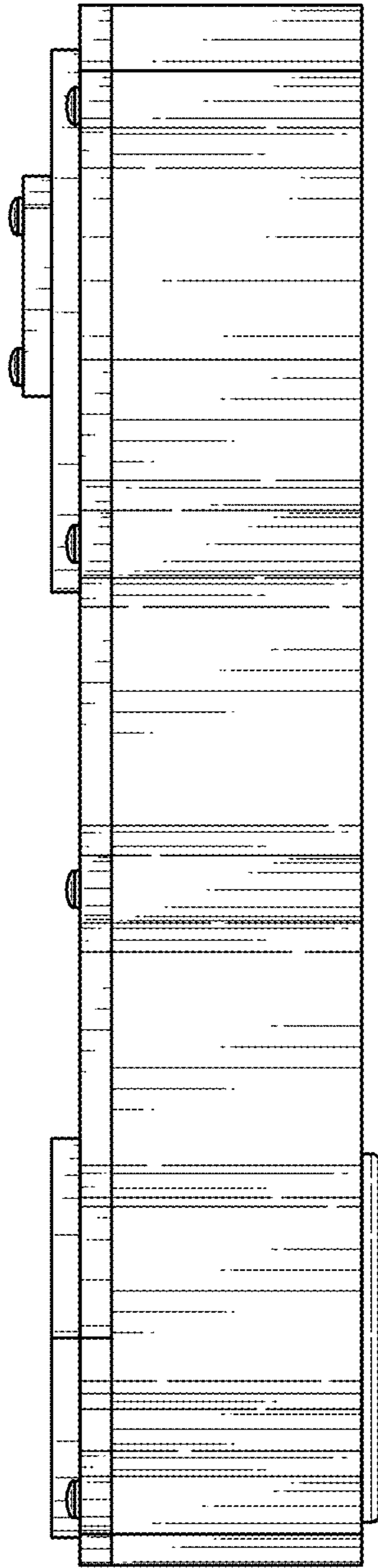


FIG. 5

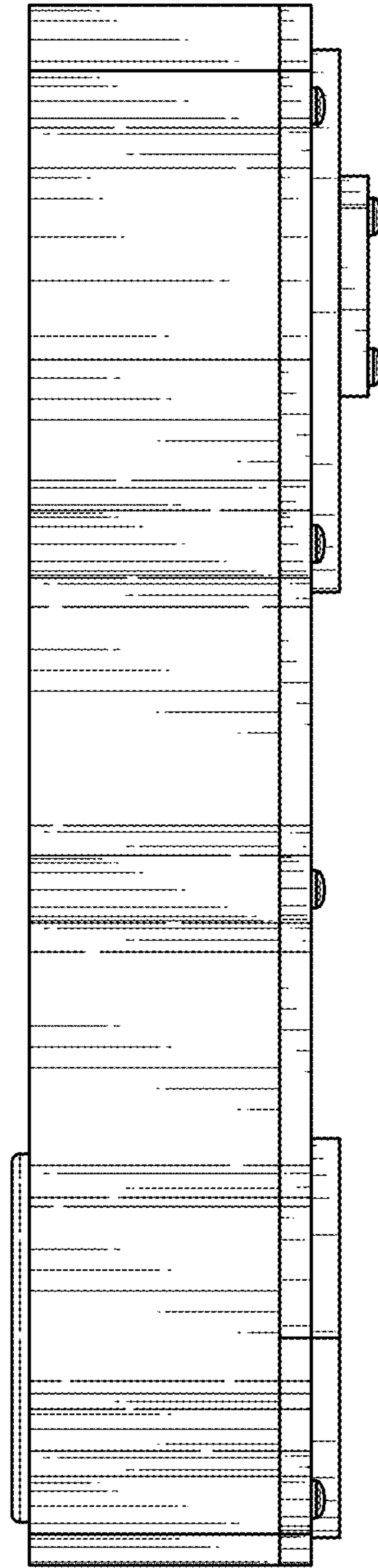


FIG. 6

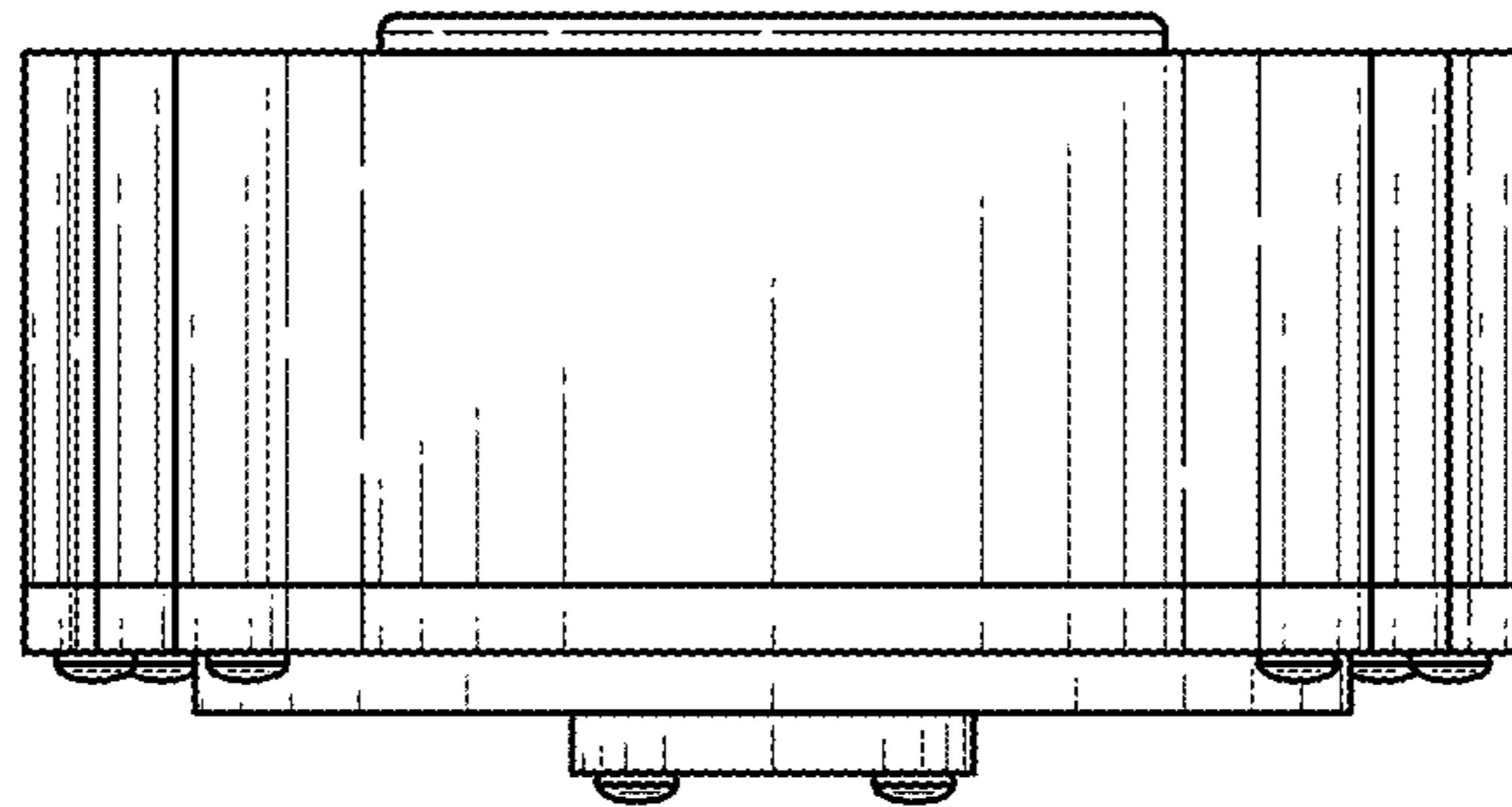


FIG. 7

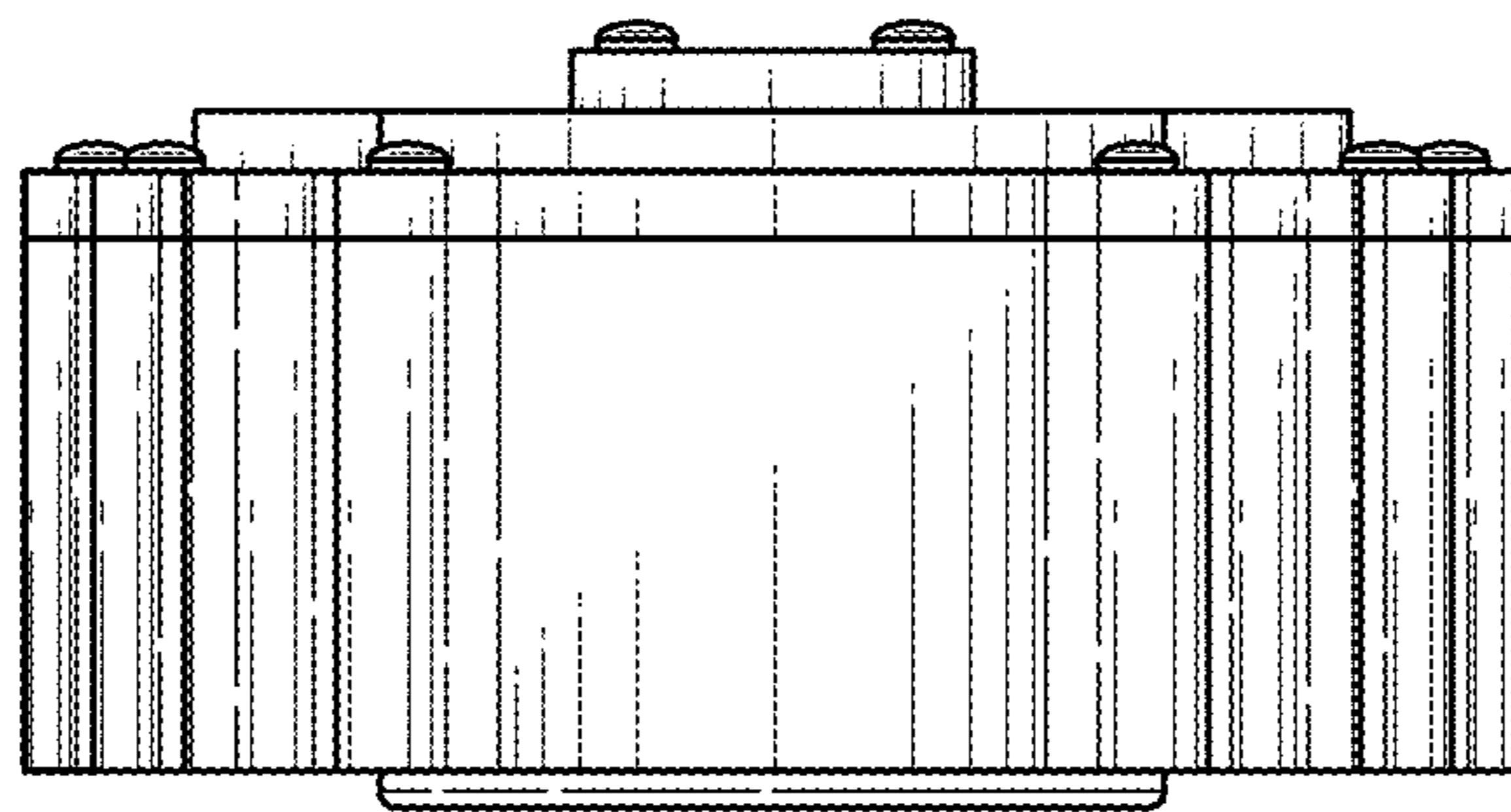


FIG. 8