



US00D809018S

(12) **United States Design Patent**
Van Lant et al.

(10) **Patent No.:** **US D809,018 S**
(45) **Date of Patent:** **** Jan. 30, 2018**

(54) **MULTI-CHAMBER BLOWOFF VALVE**

(71) Applicant: **Accessible Technologies, Inc.**, Lenexa, KS (US)

(72) Inventors: **Tyler Van Lant**, Olathe, KS (US);
Michael A. Carlson, Overland Park, KS (US)

(73) Assignee: **Accessible Technologies, Inc.**, Lenexa, KS (US)

(**) Term: **15 Years**

(21) Appl. No.: **29/566,164**

(22) Filed: **May 27, 2016**

(51) **LOC (11) Cl.** **15-01**

(52) **U.S. Cl.**
USPC **D15/5**

(58) **Field of Classification Search**

USPC D15/5, 1, 7; 251/129.2, 175, 229, 38;
137/10; D4/138; D3/12; D8/352, 313;
53/492; 220/271, 737, 761, 770;
292/DIG. 63; 60/602, 598; 123/559.1;
D34/39

CPC F16K 24/04; F16K 31/363
See application file for complete search history.

(56) **References Cited**

U.S. PATENT DOCUMENTS

4,248,047	A *	2/1981	Sumi	F02B 37/186 60/602
4,561,631	A *	12/1985	Slavin	F02B 37/186 251/129.2
D566,234	S *	4/2008	Caron	D15/5
D626,968	S *	11/2010	Iwata	D15/5
D735,436	S *	7/2015	Lehman	D34/39
D745,056	S *	12/2015	Eybergen	D15/5
2003/0106539	A1 *	6/2003	Jung	F02B 37/16 123/559.1
2006/0064980	A1 *	3/2006	Ivens	F02B 37/186 60/602
2007/0163257	A1 *	7/2007	Steed	F02B 37/16 60/598
2012/0104010	A1 *	5/2012	Kelley	B67C 7/00 220/737

OTHER PUBLICATIONS

Race Valve Open with Mounting Hardware (Steel Flange); Date Printed: May 19, 2016; Date Posted: Unknown; ProCharger Superchargers; <<https://www.procharger.com/store/index.php?act=viewProd&productId=92>>.

Proflo-Bullet Bypass Valve Open; Date Printed: May 19, 2016; Date Posted: Unknown; ProCharger Superchargers; <<https://www.procharger.com/store/index.php?act=viewProd&productId=90>>.

Enclosed Race Valve with Aluminum; Date Printed: May 19, 2016; Date Posted: Unknown; ProCharger Superchargers; <<https://www.procharger.com/store/index.php?act=viewProd&productId=2>>.

Open Race Valve with Aluminum; Date Printed: May 19, 2016; Date Posted: Unknown; ProCharger Superchargers; <<https://www.procharger.com/store/index.php?act=viewProd&productId=4>>.

* cited by examiner

Primary Examiner — Cynthia Ramirez

Assistant Examiner — Gino Colan

(74) *Attorney, Agent, or Firm* — Erise IP, P.A.

(57) **CLAIM**

The ornamental design for a multi-chamber blowoff valve, as shown and described.

DESCRIPTION

FIG. 1 is a perspective view of a multi-chamber blowoff valve showing our new design;

FIG. 2 is a top plan view thereof;

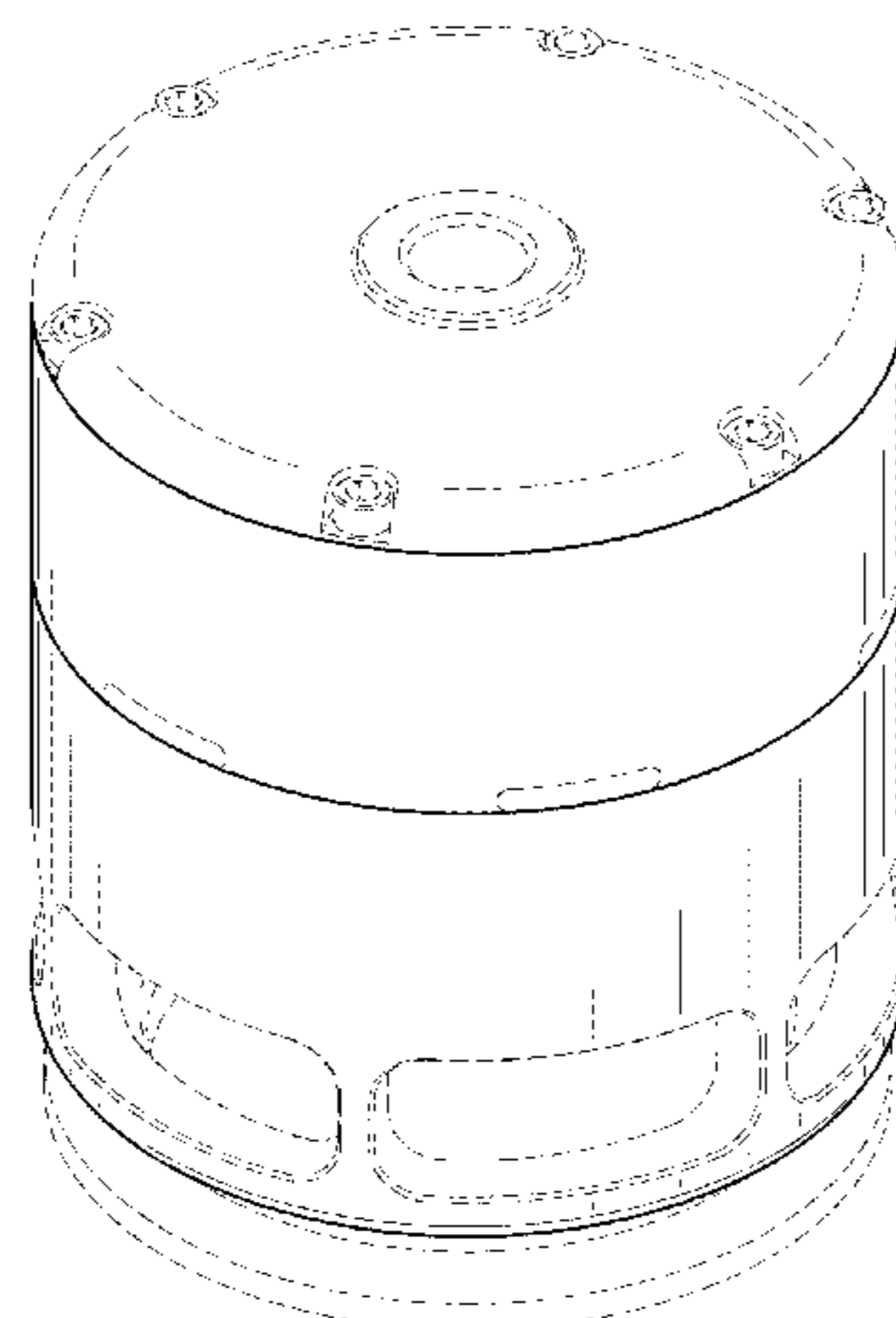
FIG. 3 is a front elevational view thereof;

FIG. 4 is a back elevational view thereof; and,

FIG. 5 is a bottom plan view thereof.

The features shown in broken lines depict environmental structure only and form no part of the claimed design.

1 Claim, 3 Drawing Sheets



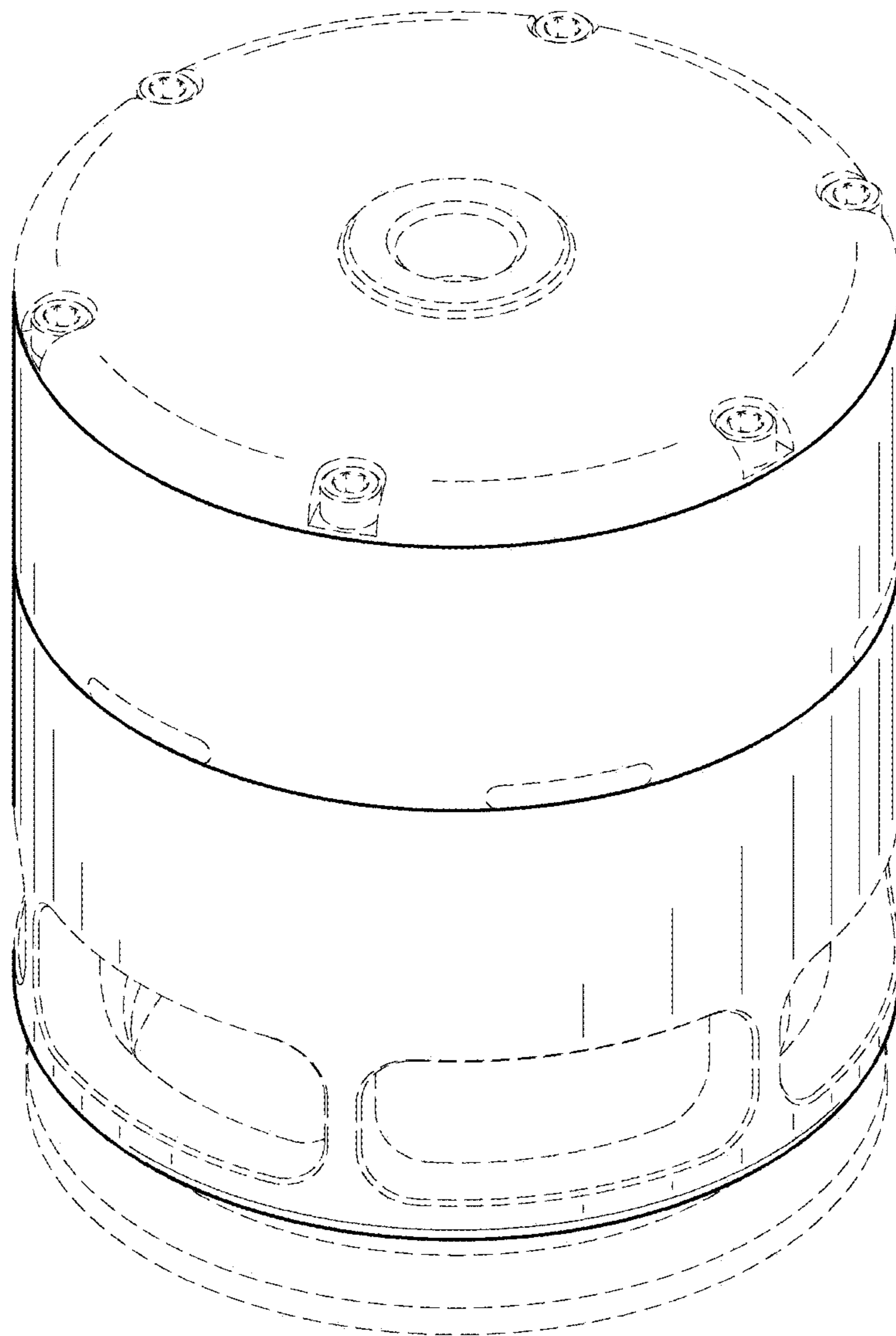


Fig. 1

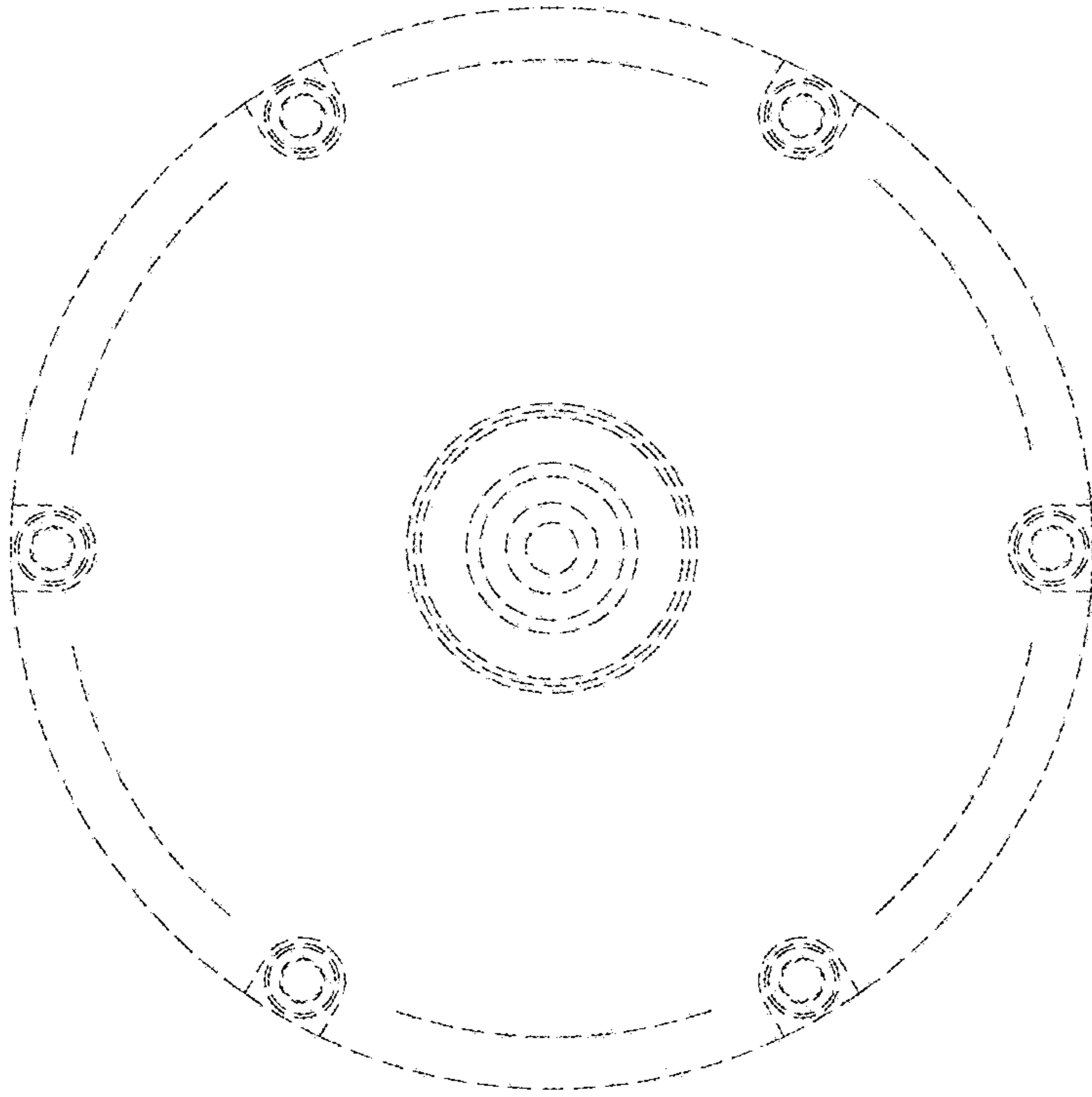


Fig. 2

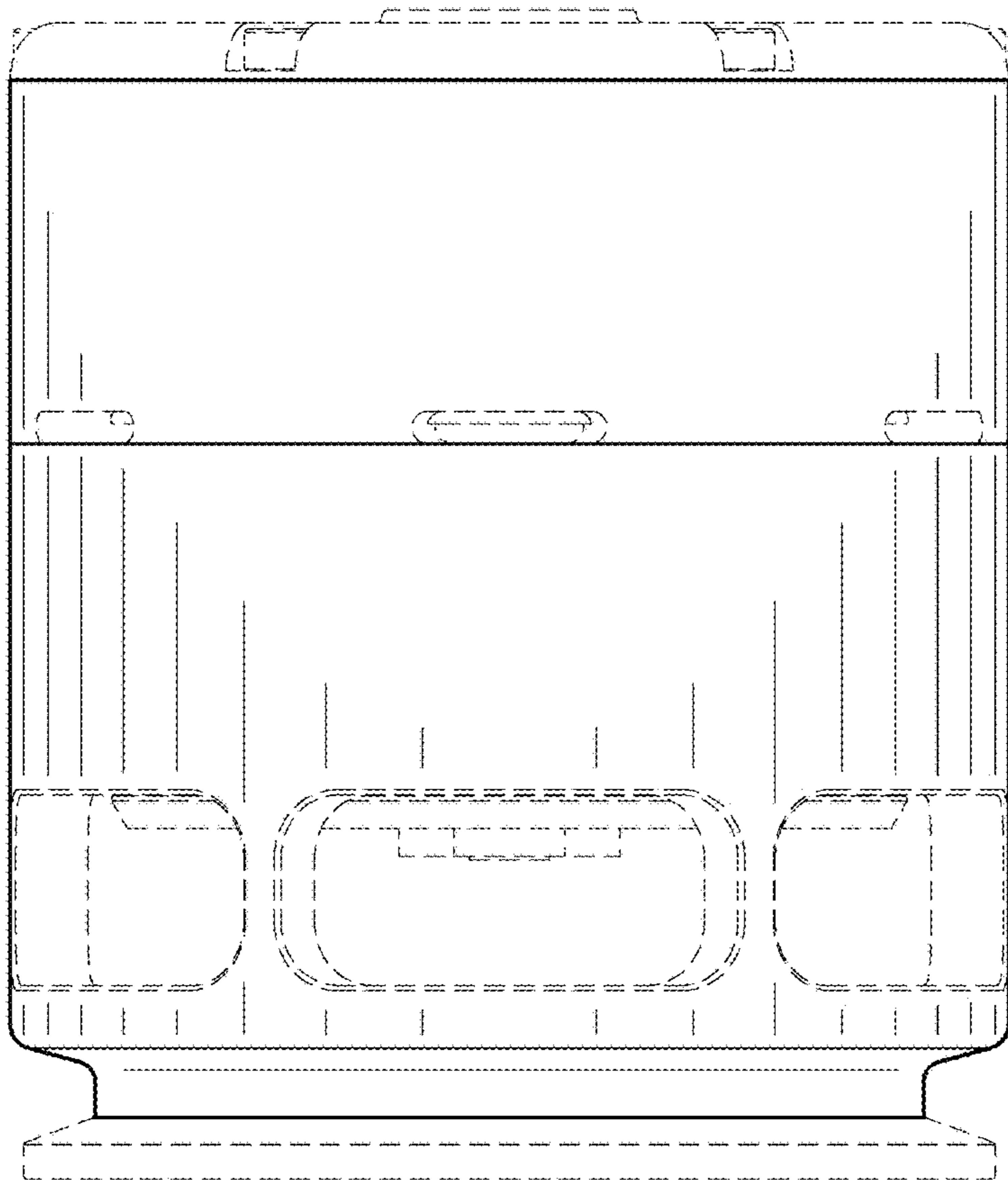


Fig. 3

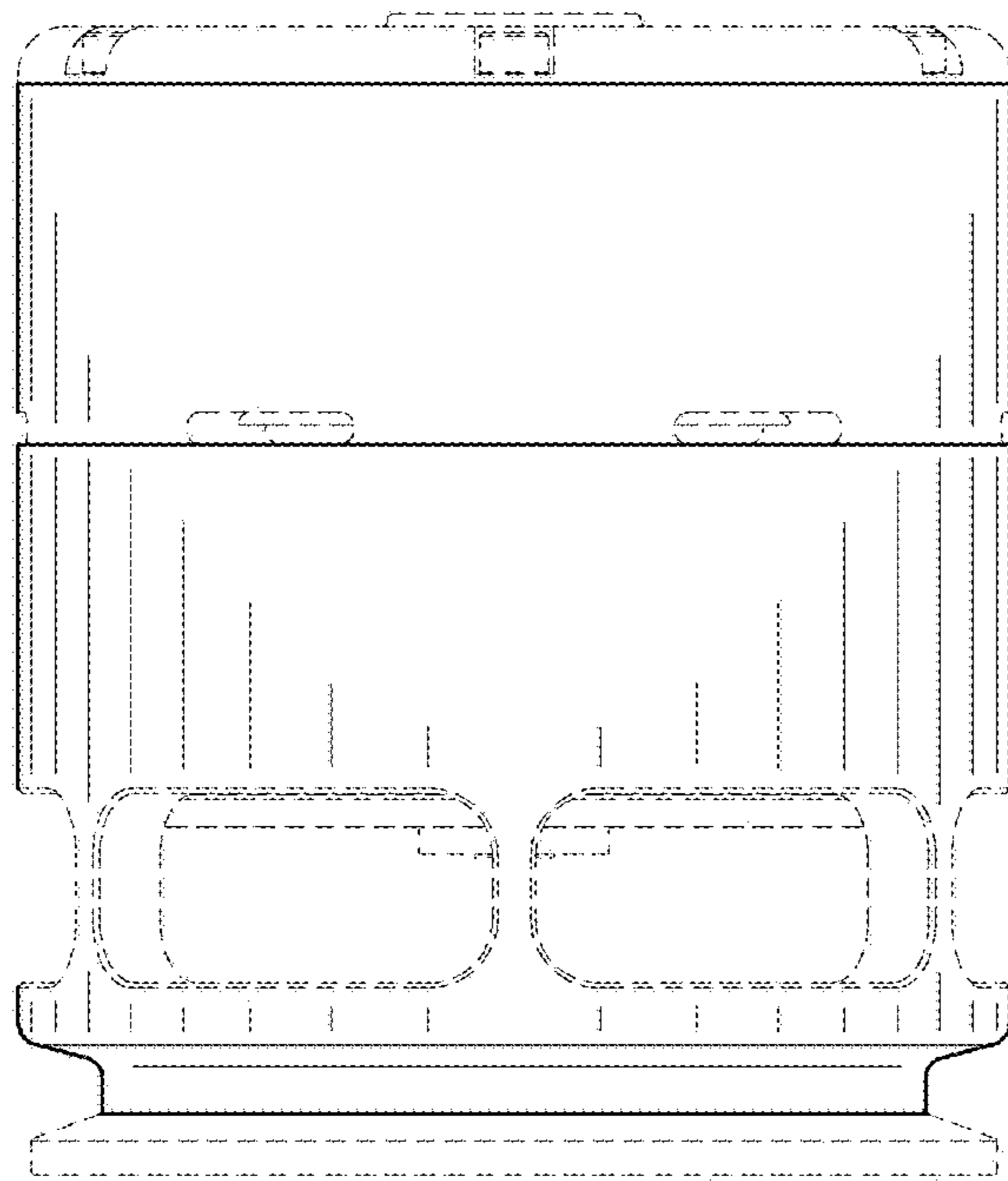


Fig. 4

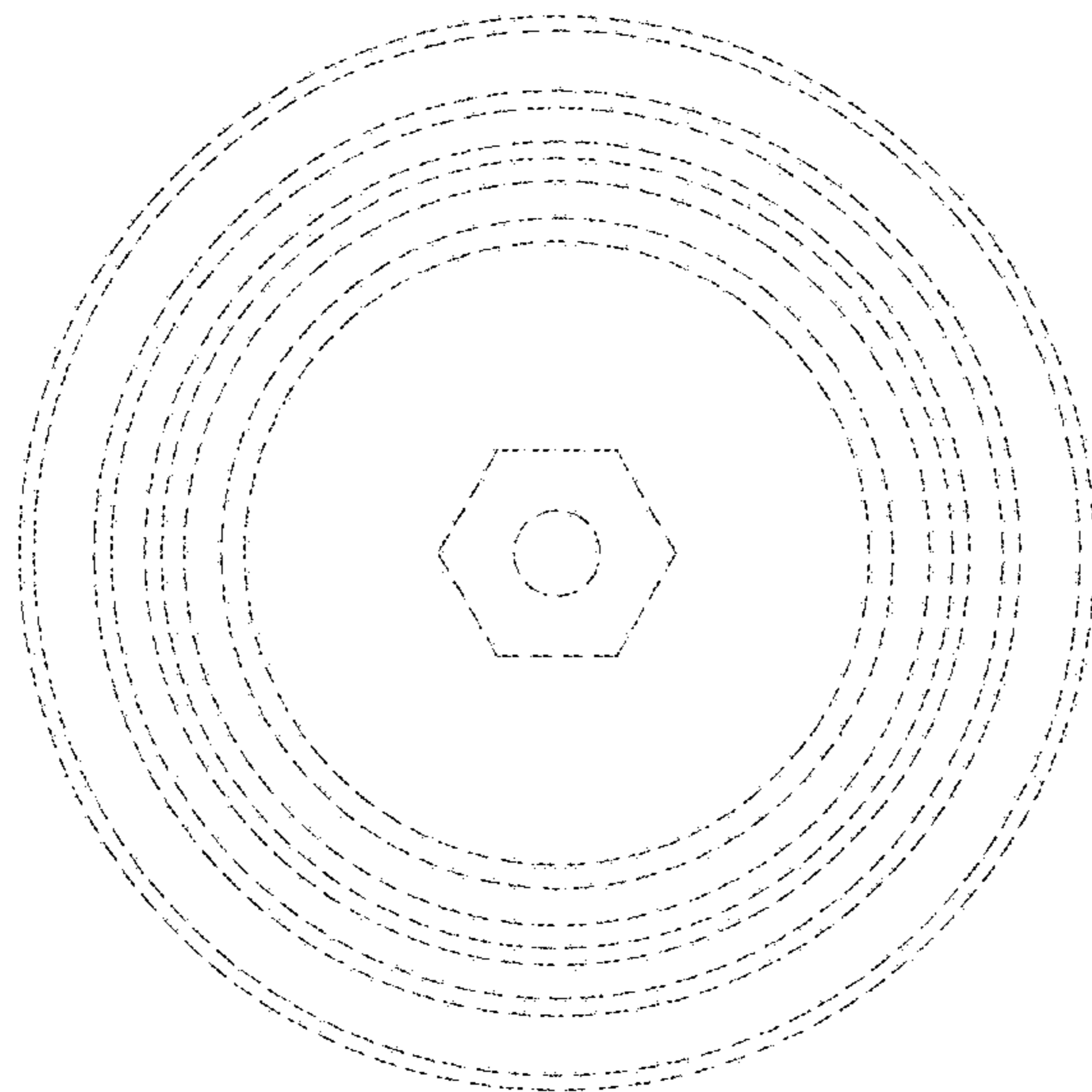


Fig. 5