



US00D809016S

(12) **United States Design Patent**
Yin

(10) **Patent No.:** **US D809,016 S**
(45) **Date of Patent:** **** Jan. 30, 2018**

(54) **BLUETOOTH MP3 PLAYER**

(71) Applicant: **Yao Yin**, Wuming (CN)

(72) Inventor: **Yao Yin**, Wuming (CN)

(**) Term: **15 Years**

(21) Appl. No.: **29/591,231**

(22) Filed: **Jan. 18, 2017**

(51) **LOC (11) Cl.** **14-03**

(52) **U.S. Cl.**
USPC **D14/496**; D14/203.3; D14/203.6

(58) **Field of Classification Search**
USPC D14/496, 401, 435, 474, 483, 217, 137,
D14/138, 160, 168, 356, 203.1-203.8,
D14/507; 345/156, 169, 173-179, 905;
715/727-729, 864; 710/1, 5, 8; 713/1,
713/600; 455/1.1, 1.7, 73, 344-347, 93,
455/95, 3.01-3.06, 550.1, 573.1;
370/342-344; 369/1, 2, 6-12;
463/43-47; 273/148 B
CPC .. A63F 13/00; A63F 11/00; A63F 2300/8047;
G06F 17/00
See application file for complete search history.

(56) **References Cited**

U.S. PATENT DOCUMENTS

8,090,418 B2 * 1/2012 Thiel H04B 1/385
455/575.2
D719,137 S * 12/2014 Cheng D14/216

9,197,951 B1 * 11/2015 Yang H04R 9/06
D753,630 S * 4/2016 Kim D14/216
D753,631 S * 4/2016 Holzer D14/216
9,365,136 B2 * 6/2016 Strmiska B60N 2/2881
D768,597 S * 10/2016 Andre D14/204
D771,142 S * 11/2016 Langhammer D14/203.6
9,609,406 B2 * 3/2017 Guo H04R 1/02
D788,075 S * 5/2017 Bailey D14/204
D789,328 S * 6/2017 Hwan D14/207
D792,374 S * 7/2017 Kim D14/204
D792,468 S * 7/2017 Langhammer D14/203.3

* cited by examiner

Primary Examiner — Prabhakar G Deshmukh

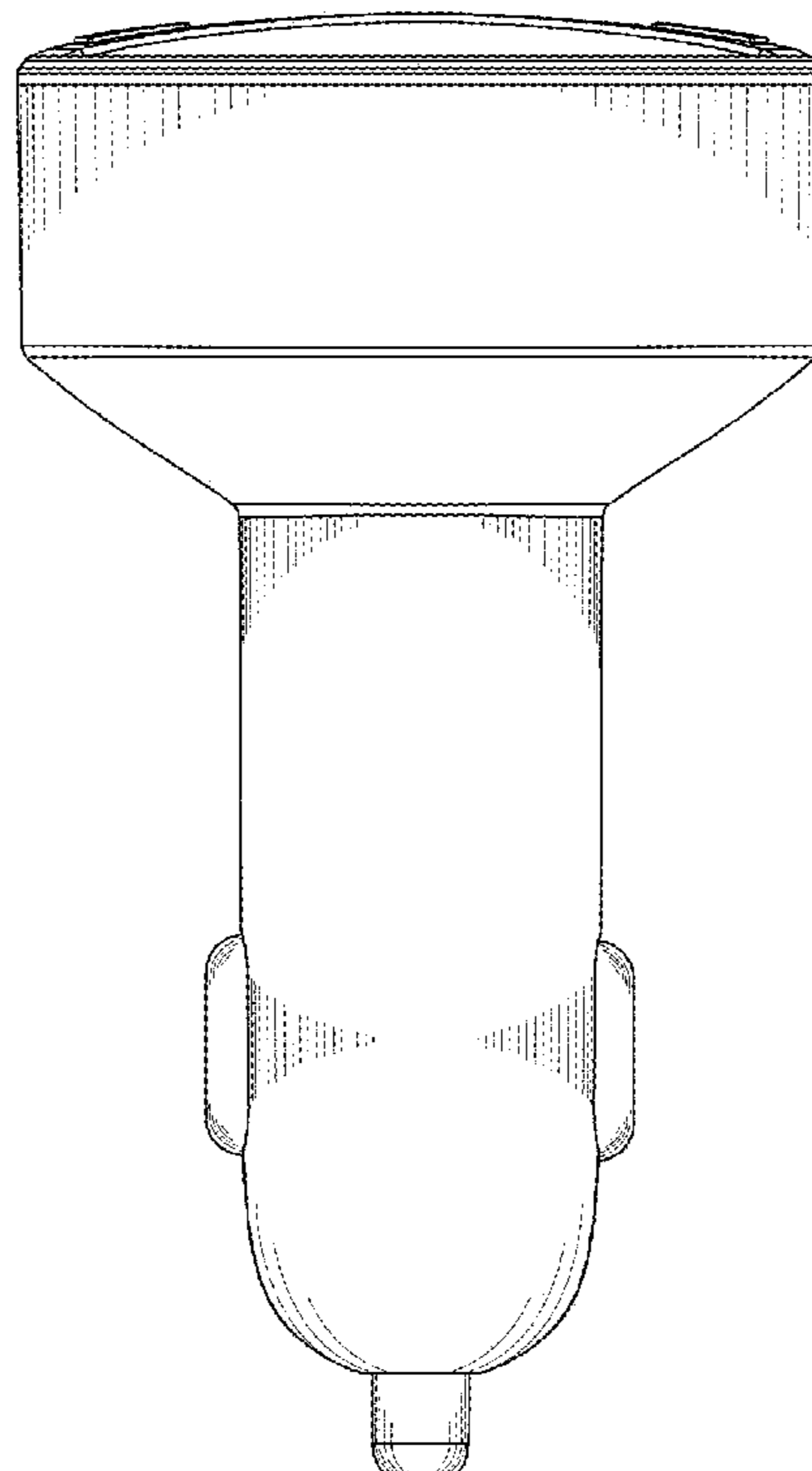
(57) **CLAIM**

The ornamental design for a bluetooth MP3 player, as shown.

DESCRIPTION

FIG. 1 is a front elevational view of a bluetooth MP3 player showing my new design;
FIG. 2 is a rear elevational view thereof;
FIG. 3 is a left side elevational view thereof;
FIG. 4 is a right side elevational view thereof;
FIG. 5 is a top plan view thereof;
FIG. 6 is a bottom plan view thereof; and,
FIG. 7 is a front perspective view thereof.
The digital numbers are not shown in FIG. 7 for clarity.

1 Claim, 7 Drawing Sheets



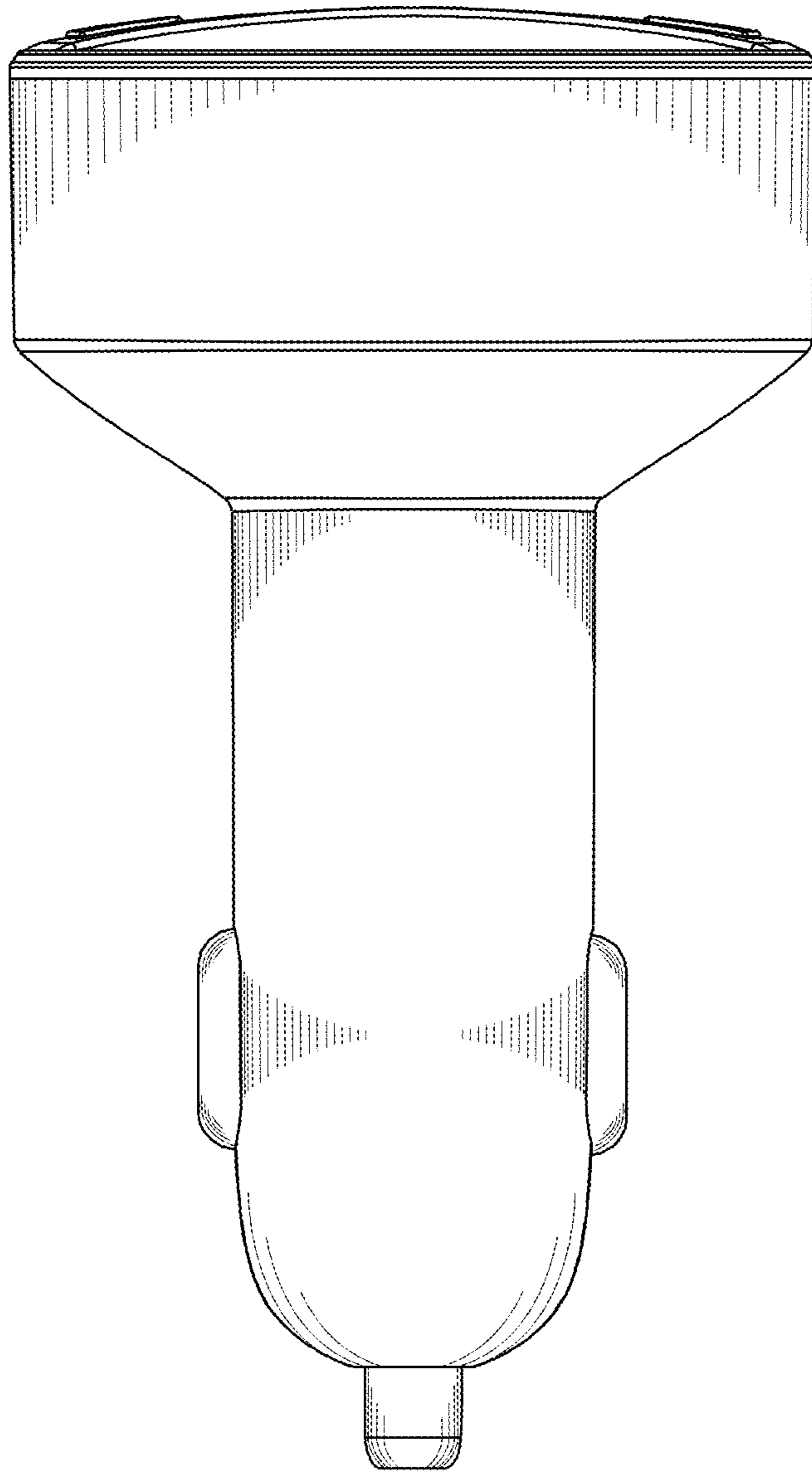


FIG. 1

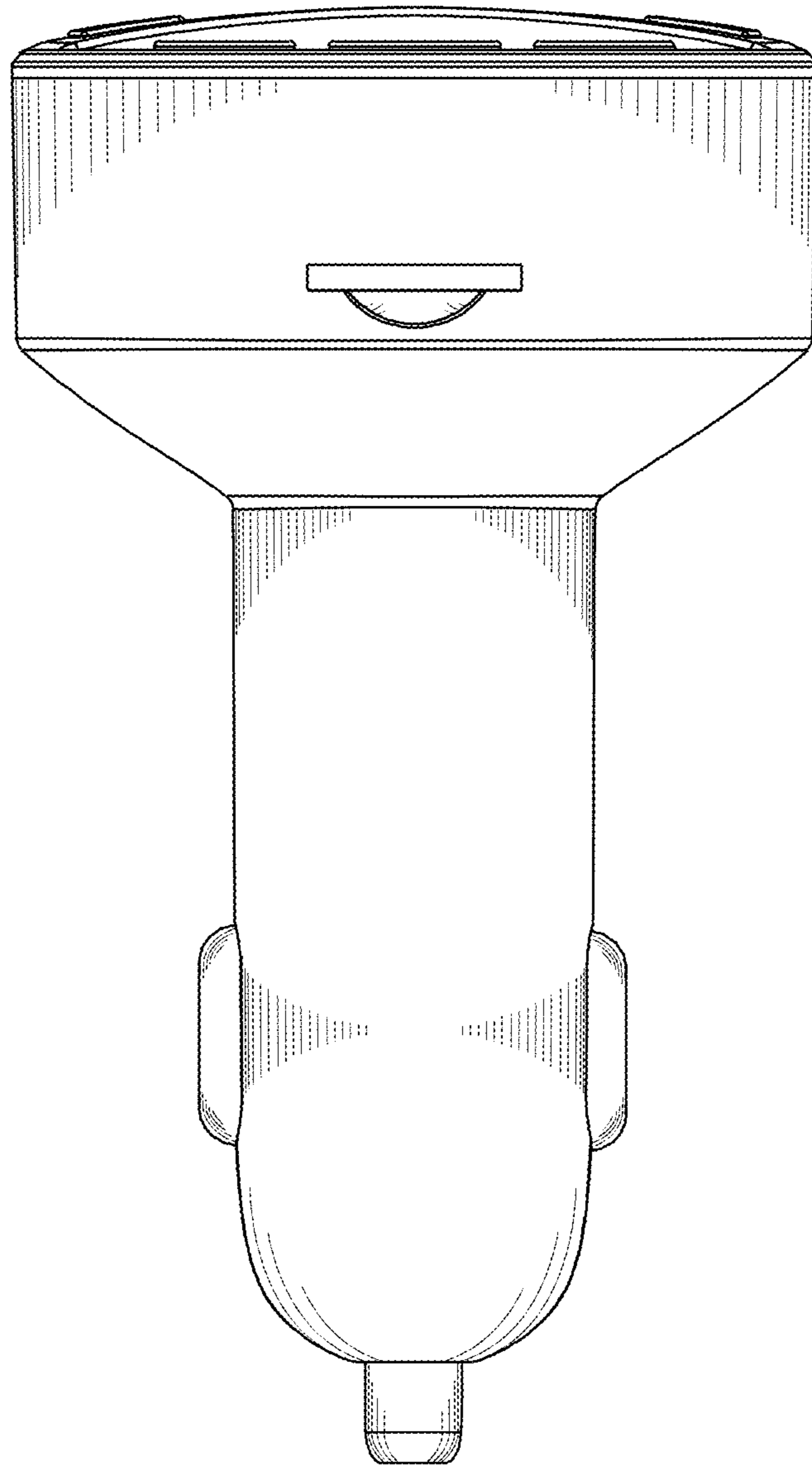


FIG.2

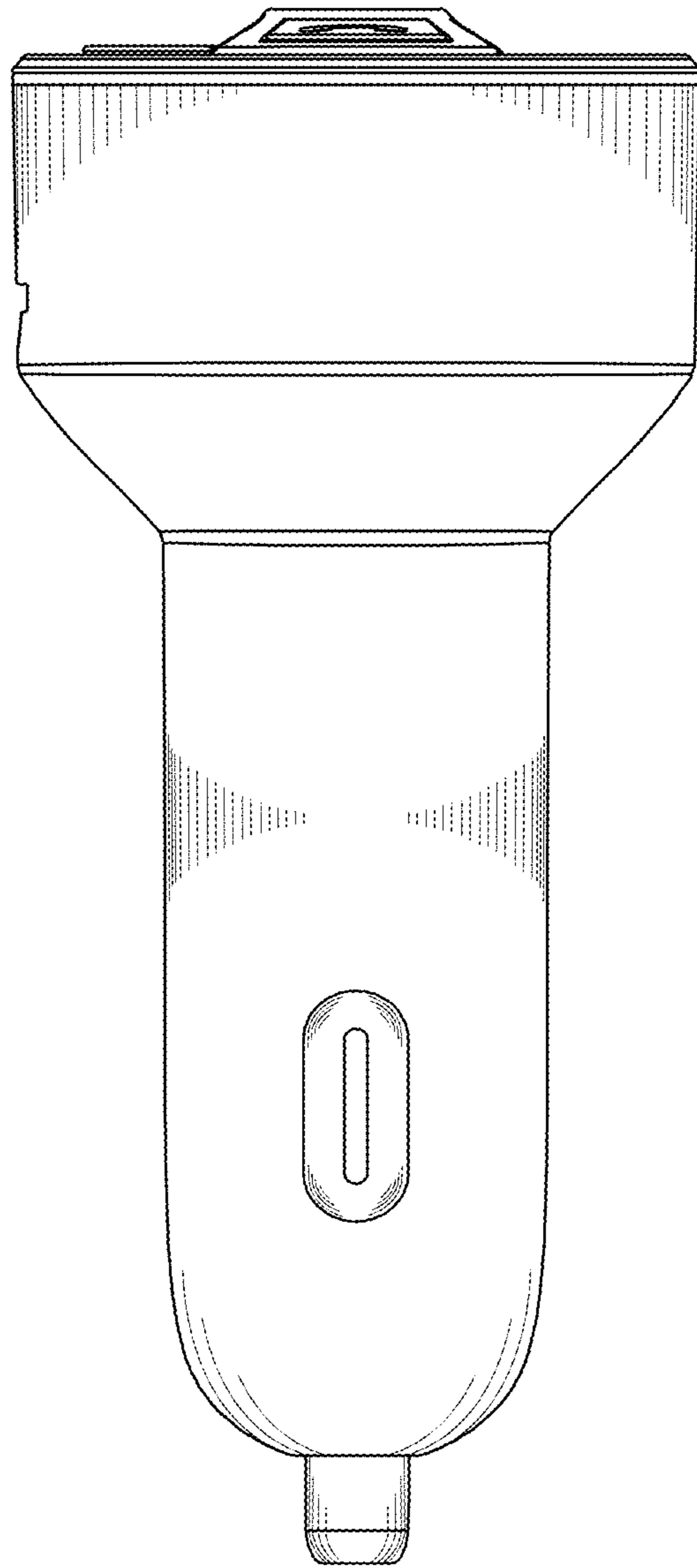


FIG.3

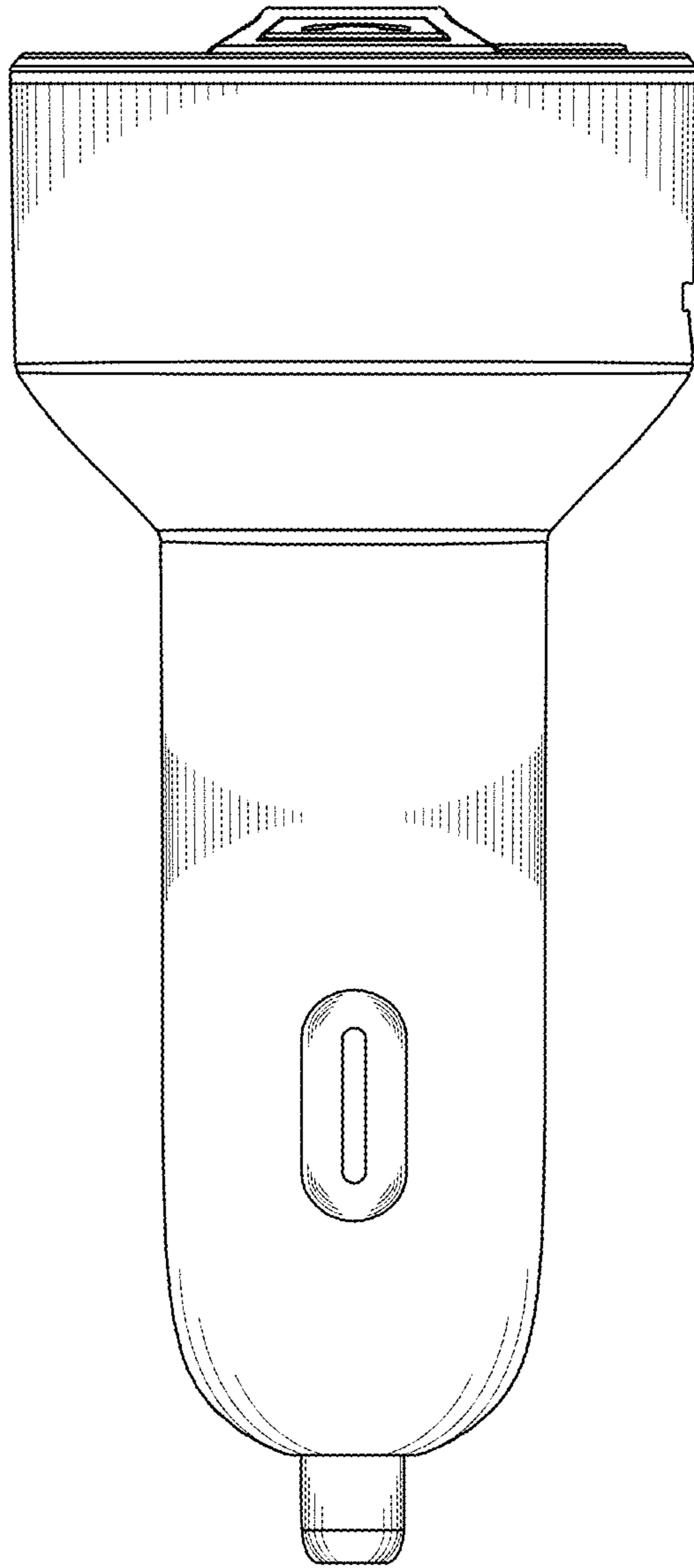


FIG.4

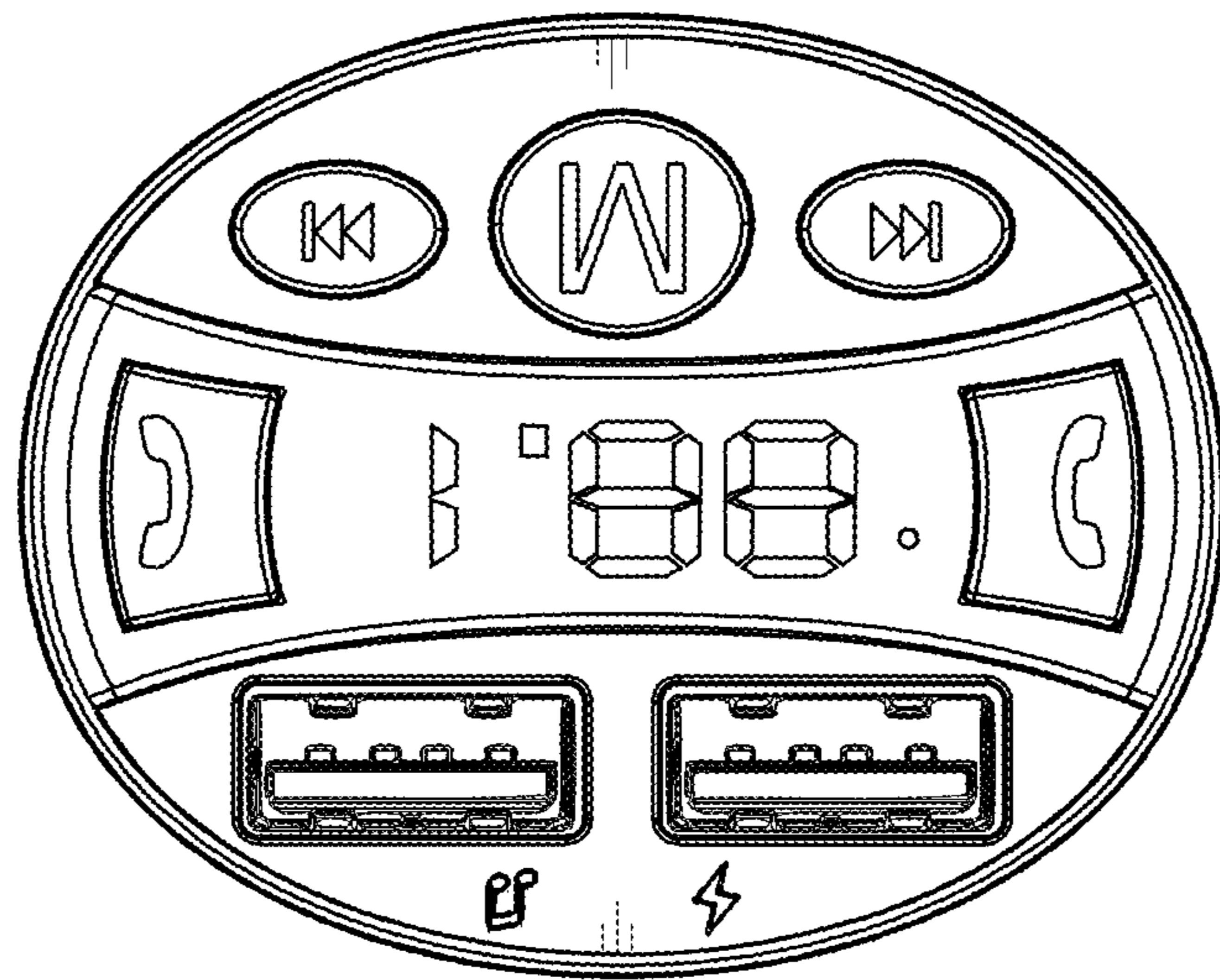


FIG.5

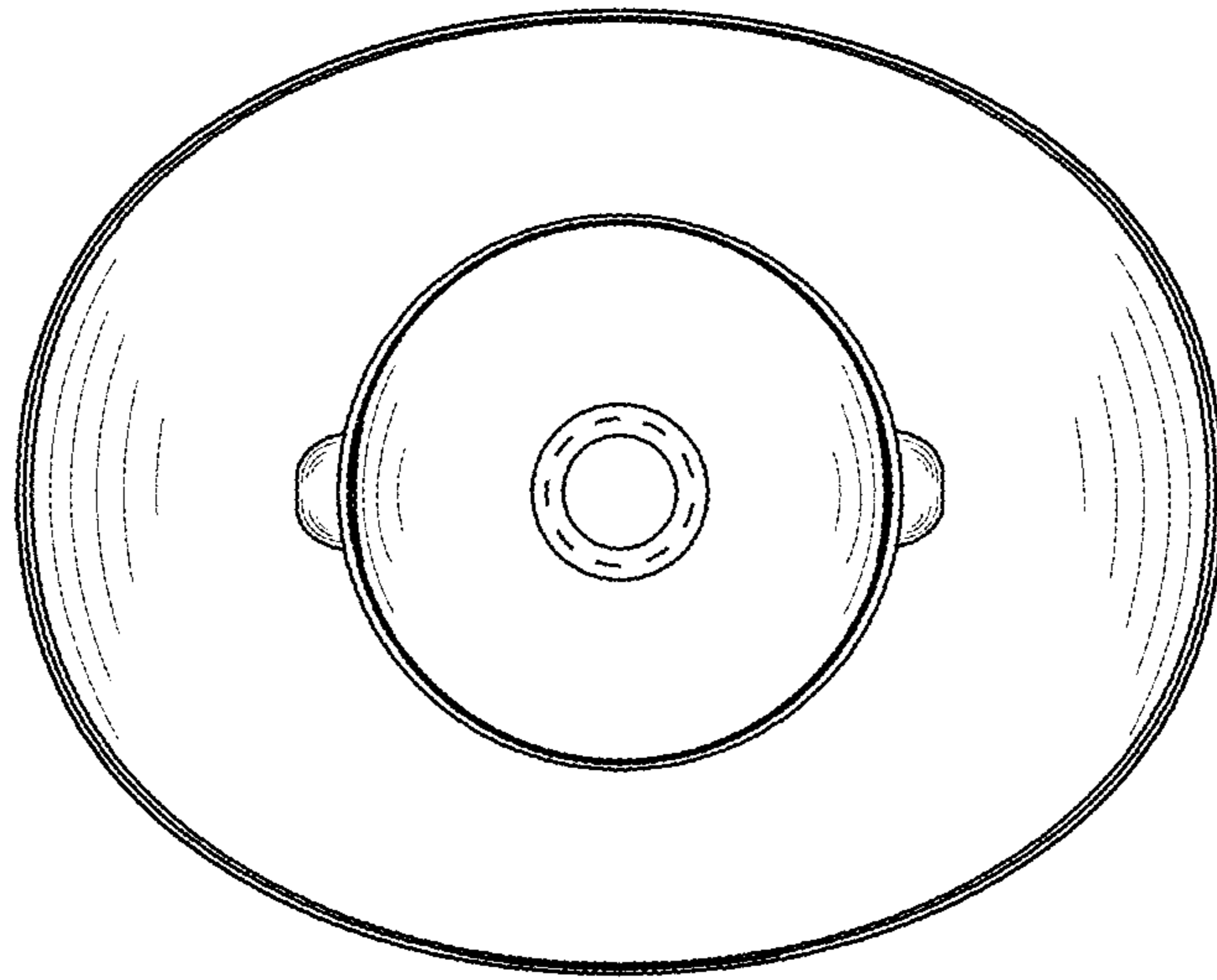


FIG.6

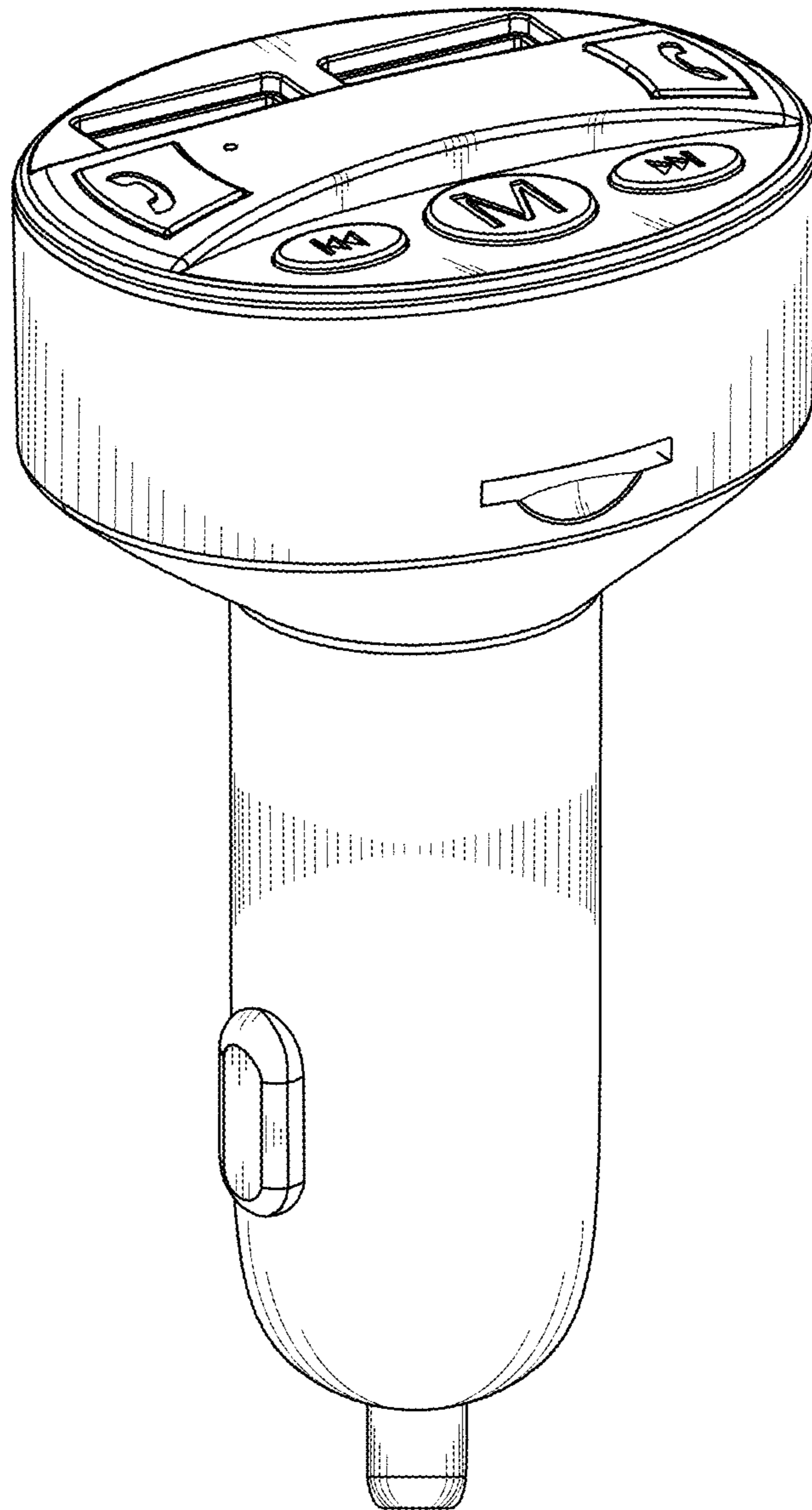


FIG.7