

US00D809013S

(12) **United States Design Patent**
Vallat et al.

(10) **Patent No.:** **US D809,013 S**
(45) **Date of Patent:** **** Jan. 30, 2018**

(54) **DISPLAY SCREEN WITH ANIMATED GRAPHICAL USER INTERFACE TO SEARCH AND VIEW HUGE DATA ARCHIVES**

Primary Examiner — Karen E Kearney
Assistant Examiner — Katherine A Holbrow
(74) *Attorney, Agent, or Firm* — Hayes Soloway P.C.

(71) Applicant: **Tata Consultancy Services Limited**,
Maharashtra (IN)

(57) **CLAIM**

(72) Inventors: **Sathish Vallat**, Karnataka (IN); **Nitin Kumar**, Karnataka (IN); **Harini Ramachandraiah**, Karnataka (IN); **Nikhil Sahoo**, Karnataka (IN); **Annie Thomas**, Karnataka (IN); **Shalin Garg**, Karnataka (IN); **Shikha Tomar**, Karnataka (IN)

We claim the ornamental design for a display screen with animated graphical user interface to search and view huge data archives, as shown and described.

(73) Assignee: **TATA CONSULTANCY SERVICES LIMITED** (IN)

DESCRIPTION

(**) Term: **15 Years**

FIG. 1 is a front view of a first image in a sequence for a display screen with animated graphical user interface to search and view huge data archives;
FIG. 2 is a front view of a second image thereof;
FIG. 3 is a front view of a third image thereof;
FIG. 4 is a front view of a fourth image thereof;
FIG. 5 is a front view of a fifth image thereof;
FIG. 6 is a front view of a sixth image thereof;
FIG. 7 is a front view of a seventh image thereof;
FIG. 8 is a front view of an eighth image thereof;
FIG. 9 is a front view of a ninth image thereof;
FIG. 10 is a front view of a tenth image thereof;
FIG. 11 is a front view of an eleventh image thereof;
FIG. 12 is a front view of a twelfth image thereof;
FIG. 13 is a front view of a thirteenth image thereof;
FIG. 14 is a front view of a fourteenth image thereof;
FIG. 15 is a front view of a fifteenth image thereof;
FIG. 16 is a front view of a sixteenth image thereof;
FIG. 17 is a front view of a seventeenth image thereof;
FIG. 18 is a front view of an eighteenth image thereof;
FIG. 19 is a front view of a nineteenth image thereof;
FIG. 20 is a front view of a twentieth image thereof; and,
FIG. 21 is a front view of a twenty-first image thereof.

(21) Appl. No.: **29/571,190**

(22) Filed: **Jul. 15, 2016**

(51) **LOC (11) Cl.** **14-04**

(52) **U.S. Cl.**
USPC **D14/493**; D14/488

(58) **Field of Classification Search**
USPC D14/485–495

(Continued)

(56) **References Cited**

U.S. PATENT DOCUMENTS

5,621,874 A * 4/1997 Lucas G06F 3/0483
707/E17.008

D395,297 S * 6/1998 Cheng D14/488

(Continued)

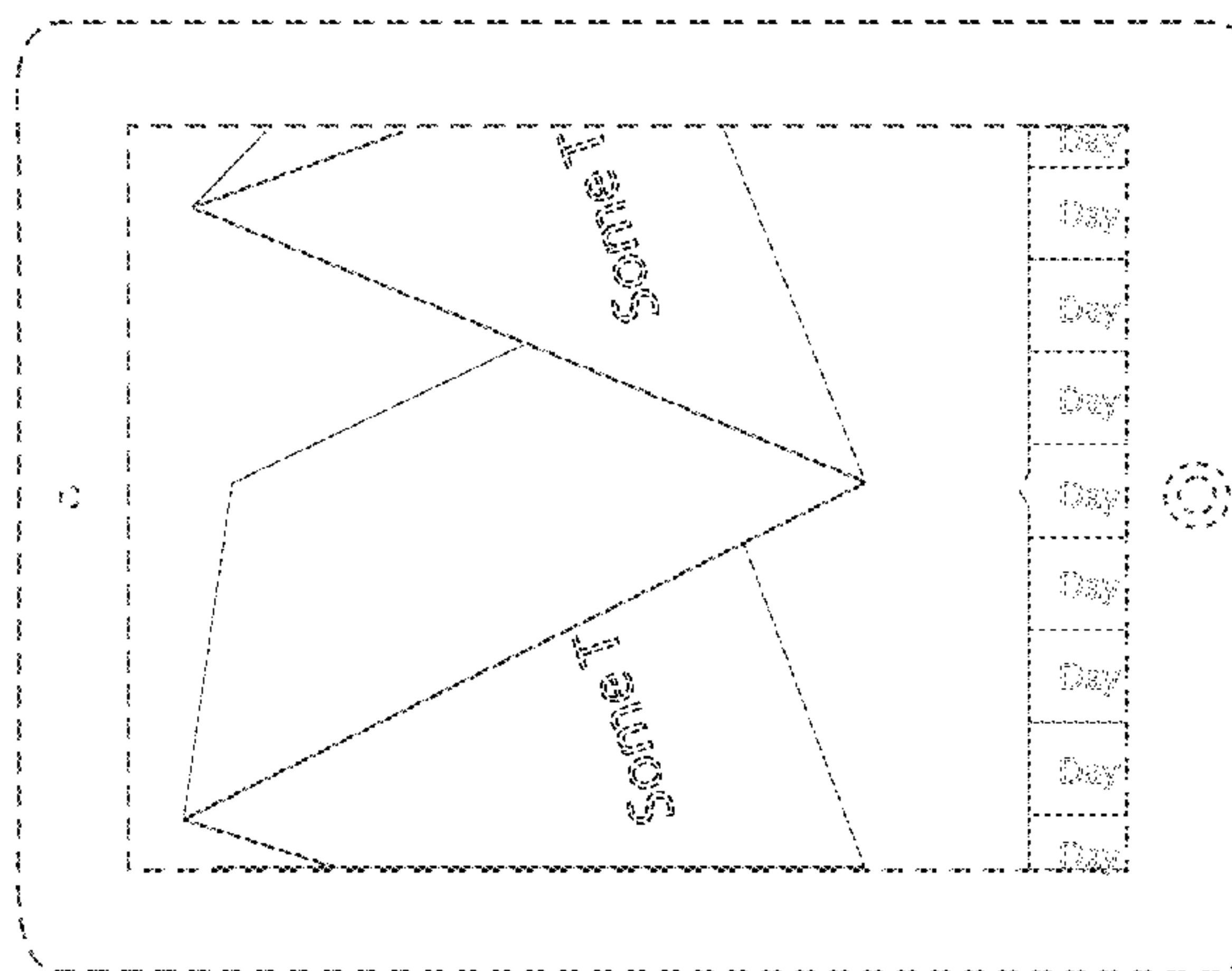
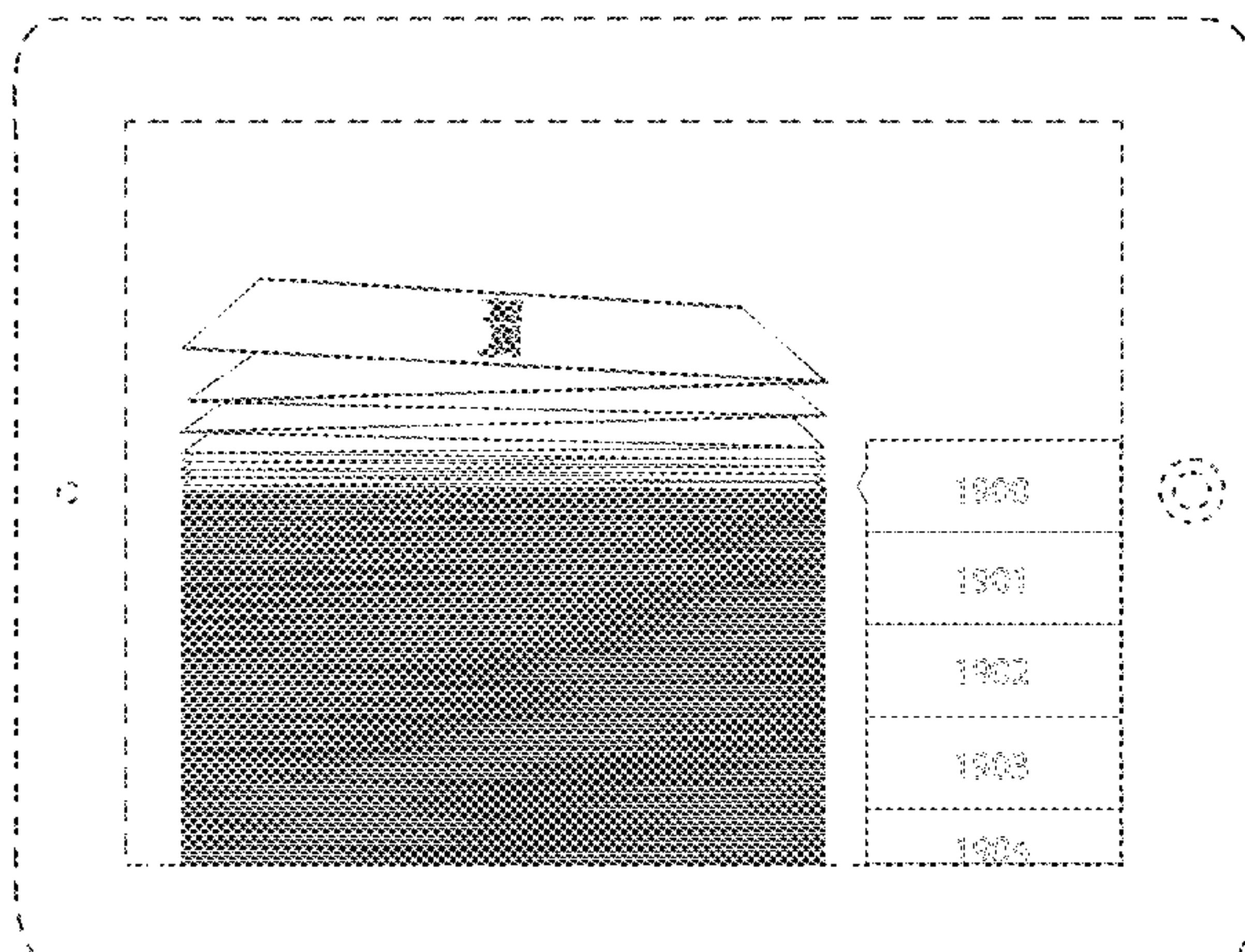
OTHER PUBLICATIONS

BBDO Worldwide, Trademark Serial No. 78678152, Oct. 24, 2006, tmsearch.uspto.gov [online], [site visited Jul. 12, 2017]. Available from Internet: http://tmsearch.uspto.gov/bin/showfield?f=doc&state=4801:yx6wk5.3.1.*

The appearance of the transitional image sequentially transitions between the images shown in FIGS. 1-21. The process or period in which one image transitions to another image forms no part of the claimed design.

The broken line showing of the device, display screen, text and numbers are included for the purpose of illustrating

(Continued)



environmental structure and portions of the article and form no part of the claimed design.

1 Claim, 21 Drawing Sheets

(58) Field of Classification Search

CPC G06F 3/0482; G06Q 50/01; H04L 51/32; B42D 15/04; B42D 15/042; B64H 45/04
See application file for complete search history.

(56) References Cited

U.S. PATENT DOCUMENTS

D398,299 S * 9/1998 Ballay D14/488
5,898,434 A * 4/1999 Small G06F 3/0481
715/810
6,466,237 B1 * 10/2002 Miyao G06F 3/0483
707/E17.029
D535,661 S * 1/2007 Gusmorino D14/492
D552,115 S * 10/2007 Suzuki D14/485
D555,663 S * 11/2007 Nagata D14/488
D599,806 S * 9/2009 Brown D14/485
D606,559 S * 12/2009 Kocmick D14/493
D609,715 S * 2/2010 Chaudhri D14/486
D613,300 S * 4/2010 Chaudhri D14/488
D633,920 S * 3/2011 Luke D14/486

D637,606 S * 5/2011 Luke D14/488
D648,347 S * 11/2011 Chaudhri D14/488
8,271,898 B1 * 9/2012 Mattos G06F 3/0485
345/473
8,339,497 B2 * 12/2012 Iwase G06F 3/0483
348/222.1
D698,813 S * 2/2014 Brown D14/488
D707,249 S * 6/2014 Yamada D14/488
D734,763 S * 7/2015 Kim D14/485
D736,244 S * 8/2015 Kang D14/488
D737,314 S * 8/2015 Shiplacoff D14/488
D745,541 S * 12/2015 Shih D14/486
D754,727 S * 4/2016 Leighton D14/488
D758,385 S * 6/2016 Dong D14/485
D763,899 S * 8/2016 Lee D14/488
D765,711 S * 9/2016 Henderson D14/486
D775,149 S * 12/2016 Karunamuni D14/485
D779,520 S * 2/2017 Wang D14/486
D785,670 S * 5/2017 Vallat D14/488
D789,960 S * 6/2017 Alonso Ruiz D14/486
D789,983 S * 6/2017 Kim D14/486
D792,425 S * 7/2017 Che D14/485
D792,905 S * 7/2017 Bryant D14/488
D794,651 S * 8/2017 Cavander D14/485
D798,886 S * 10/2017 Prophete D14/485
2008/0249645 A1 * 10/2008 Nagiyama G06F 17/30017
700/94
2014/0210753 A1 * 7/2014 Lee G06F 3/0484
345/173

* cited by examiner

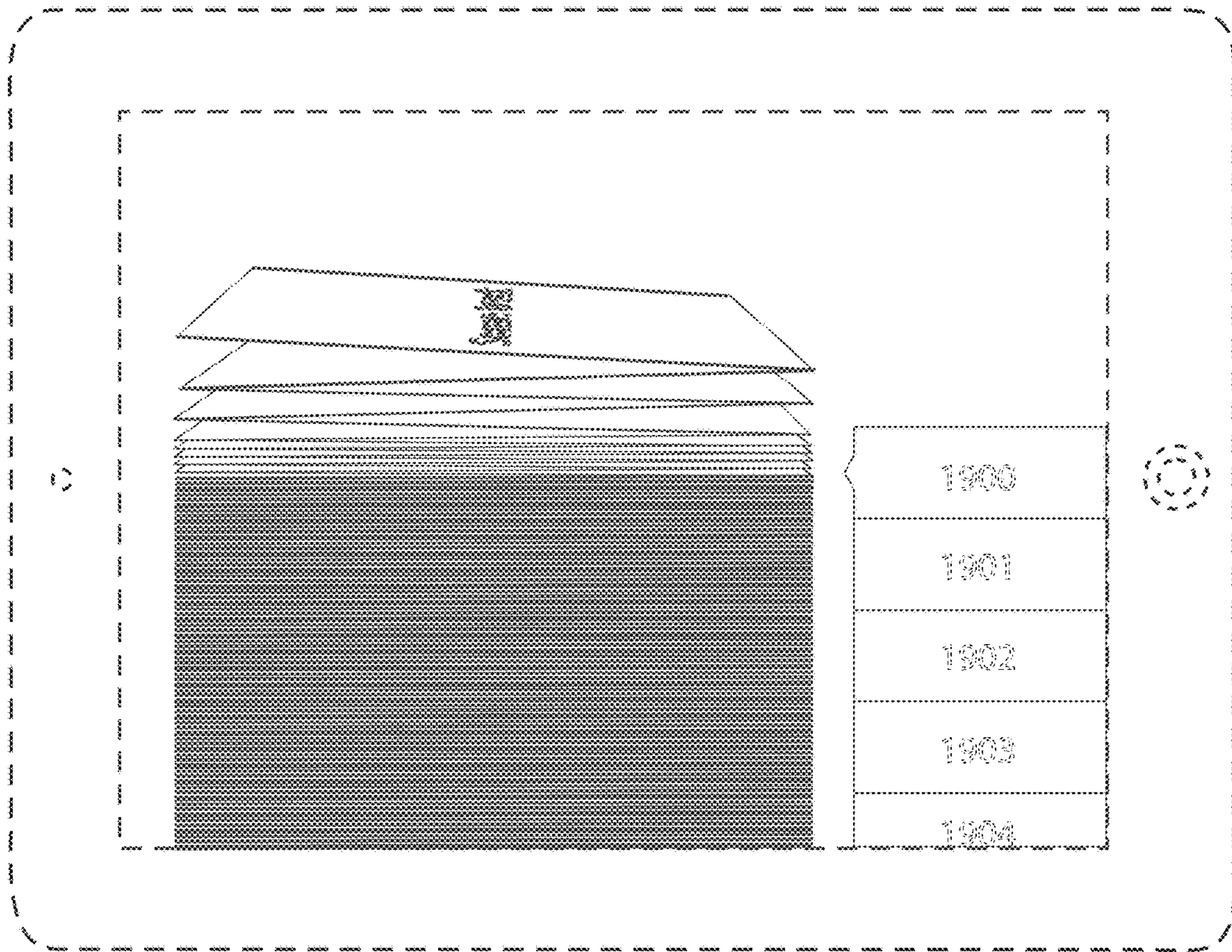


FIG. 1

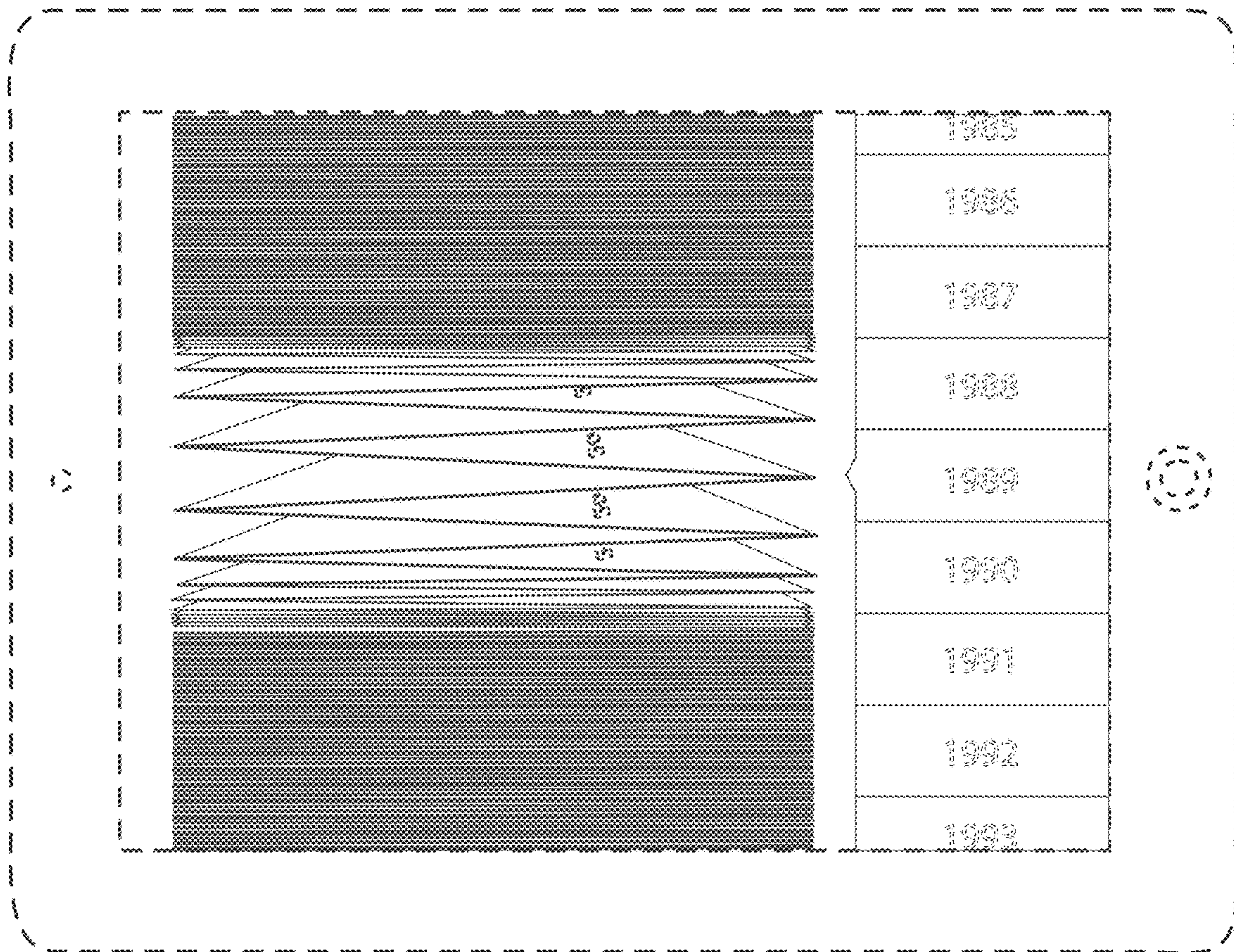


FIG. 2

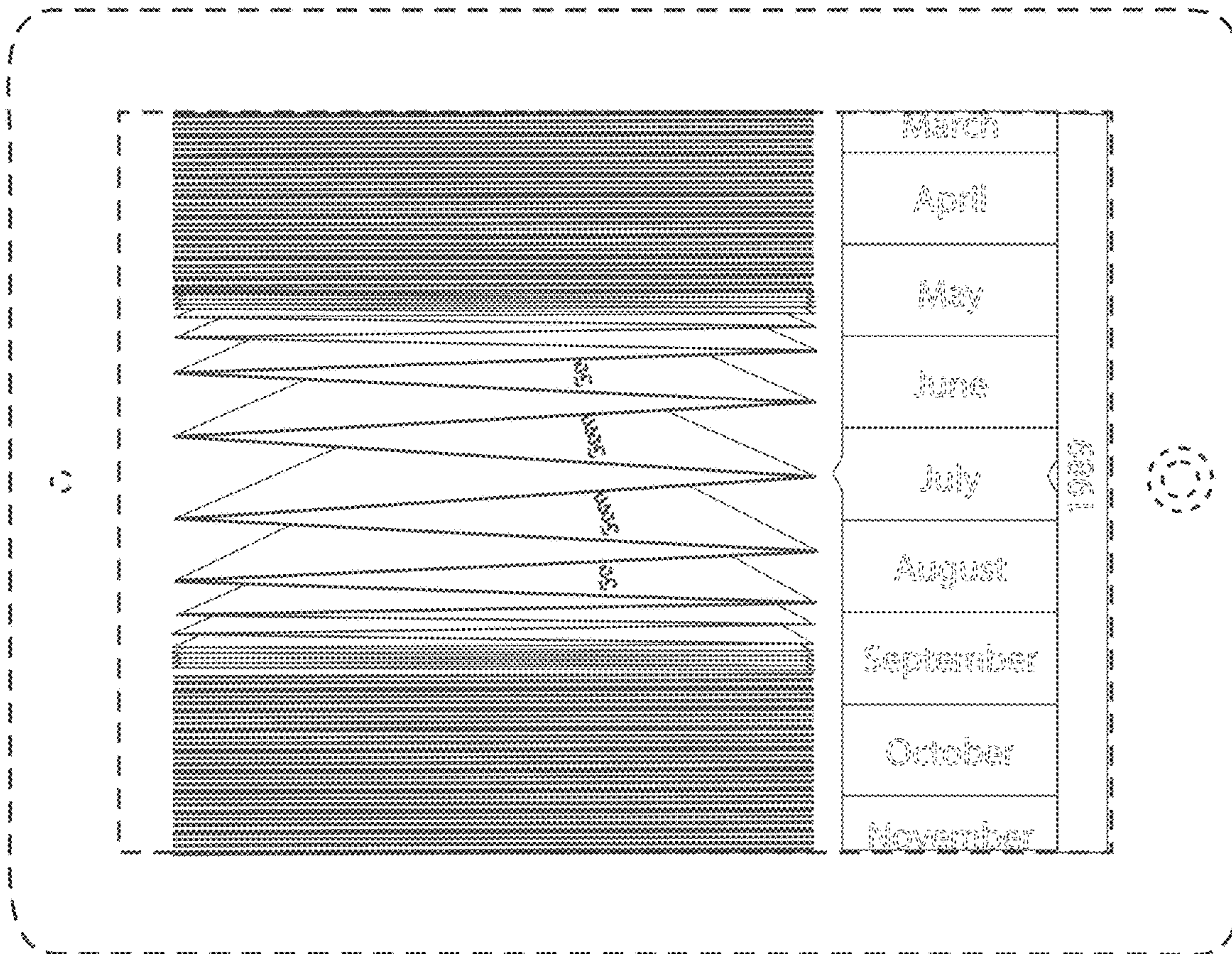


FIG. 3

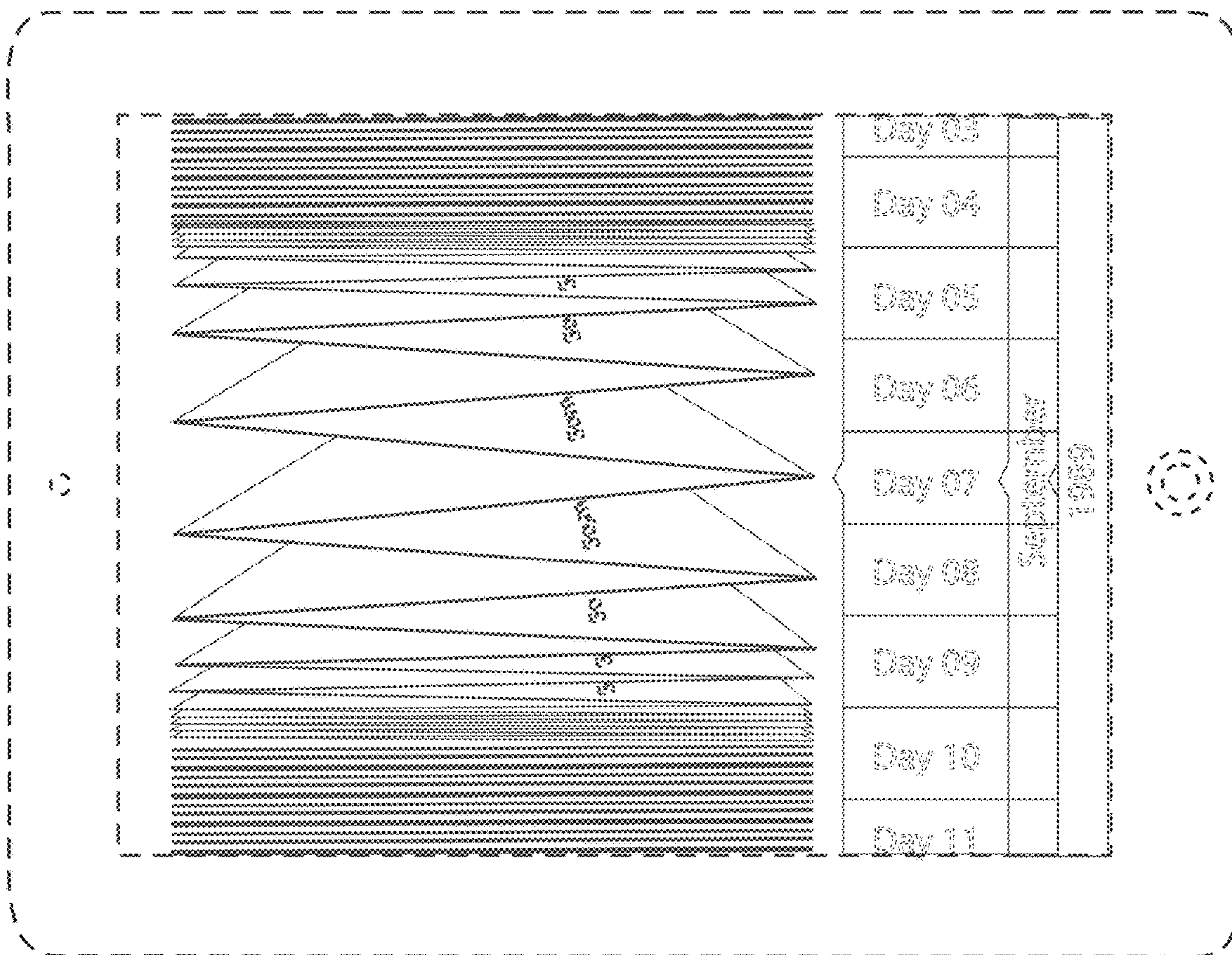


FIG. 4

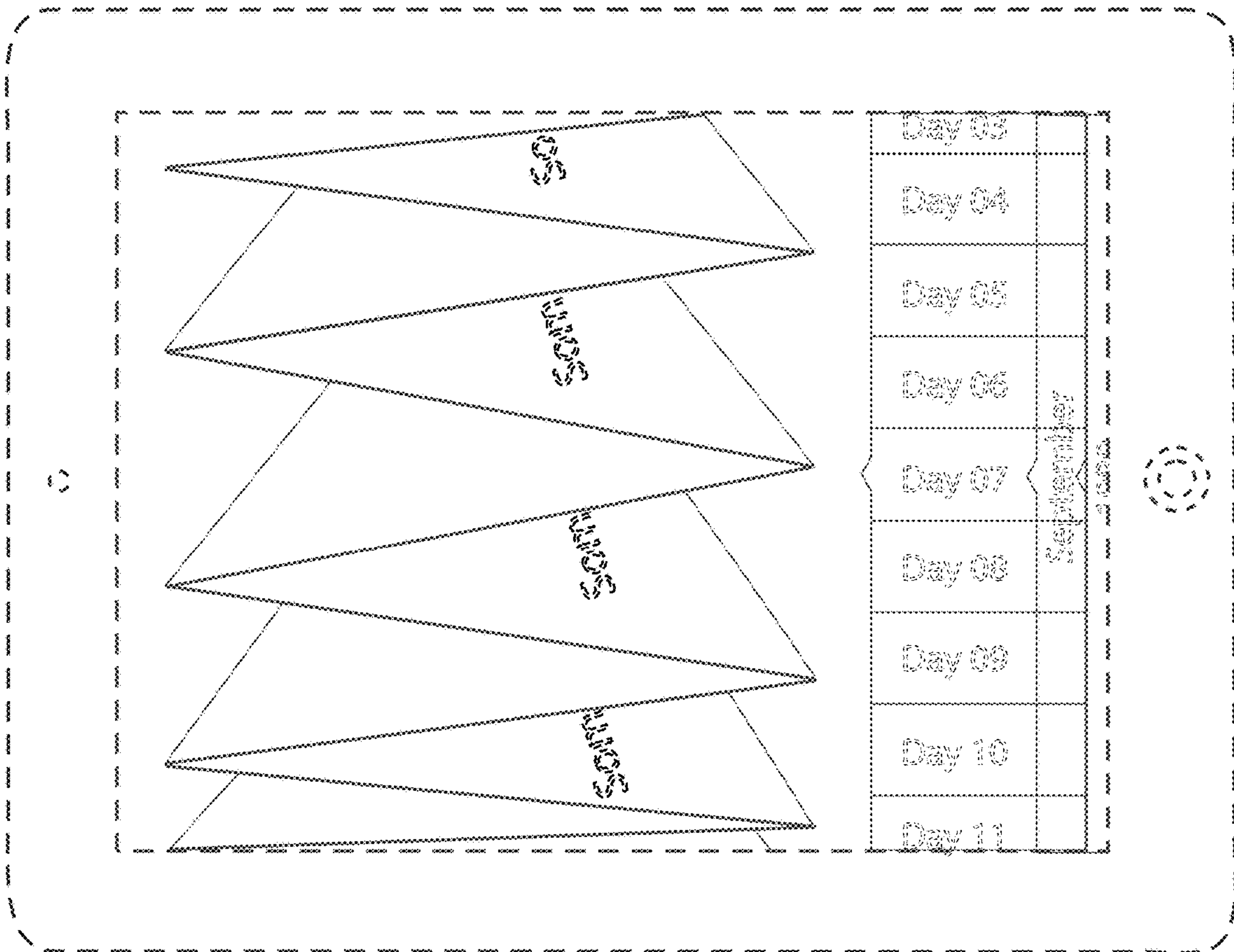


FIG. 5

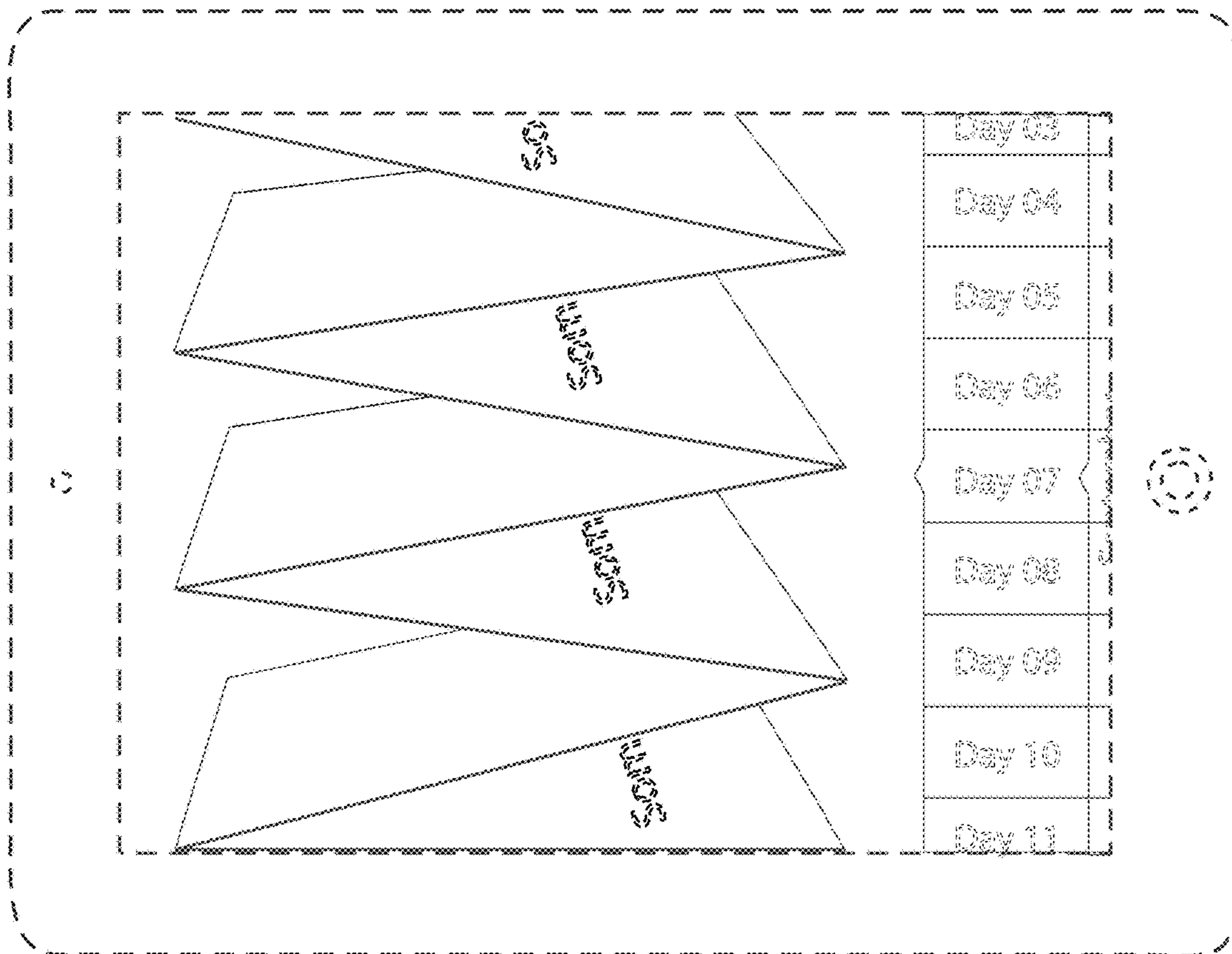


FIG. 6

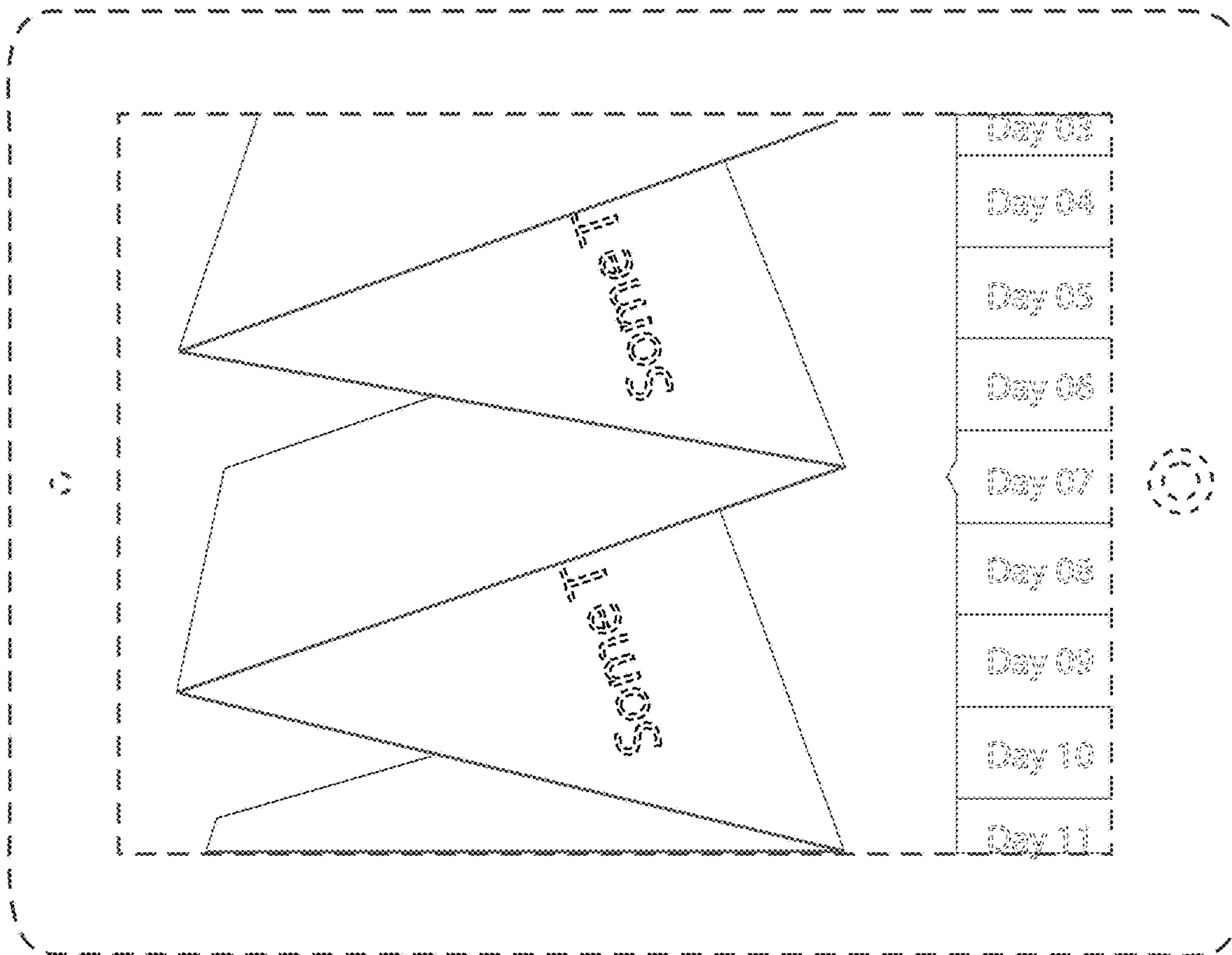


FIG. 7

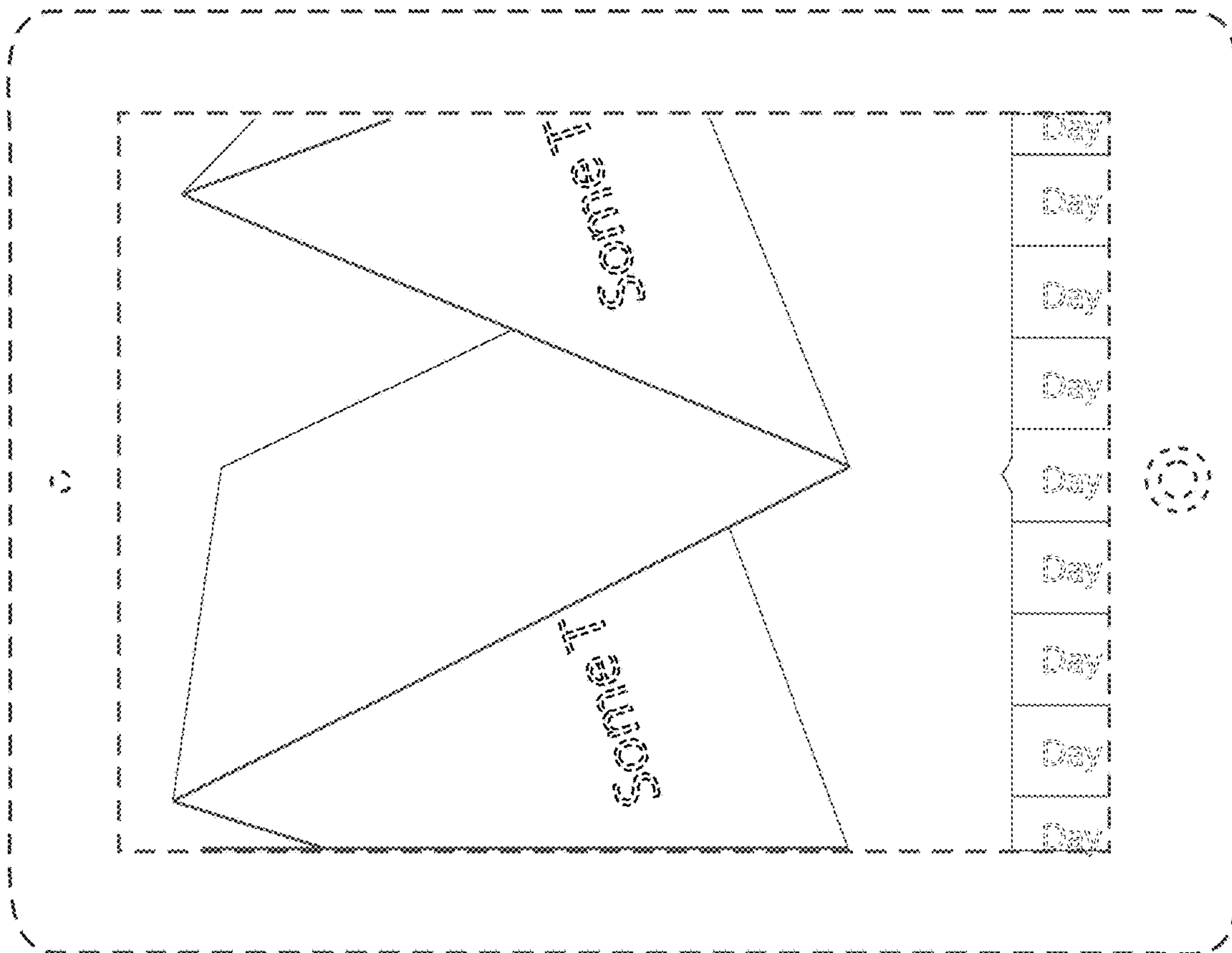


FIG. 8

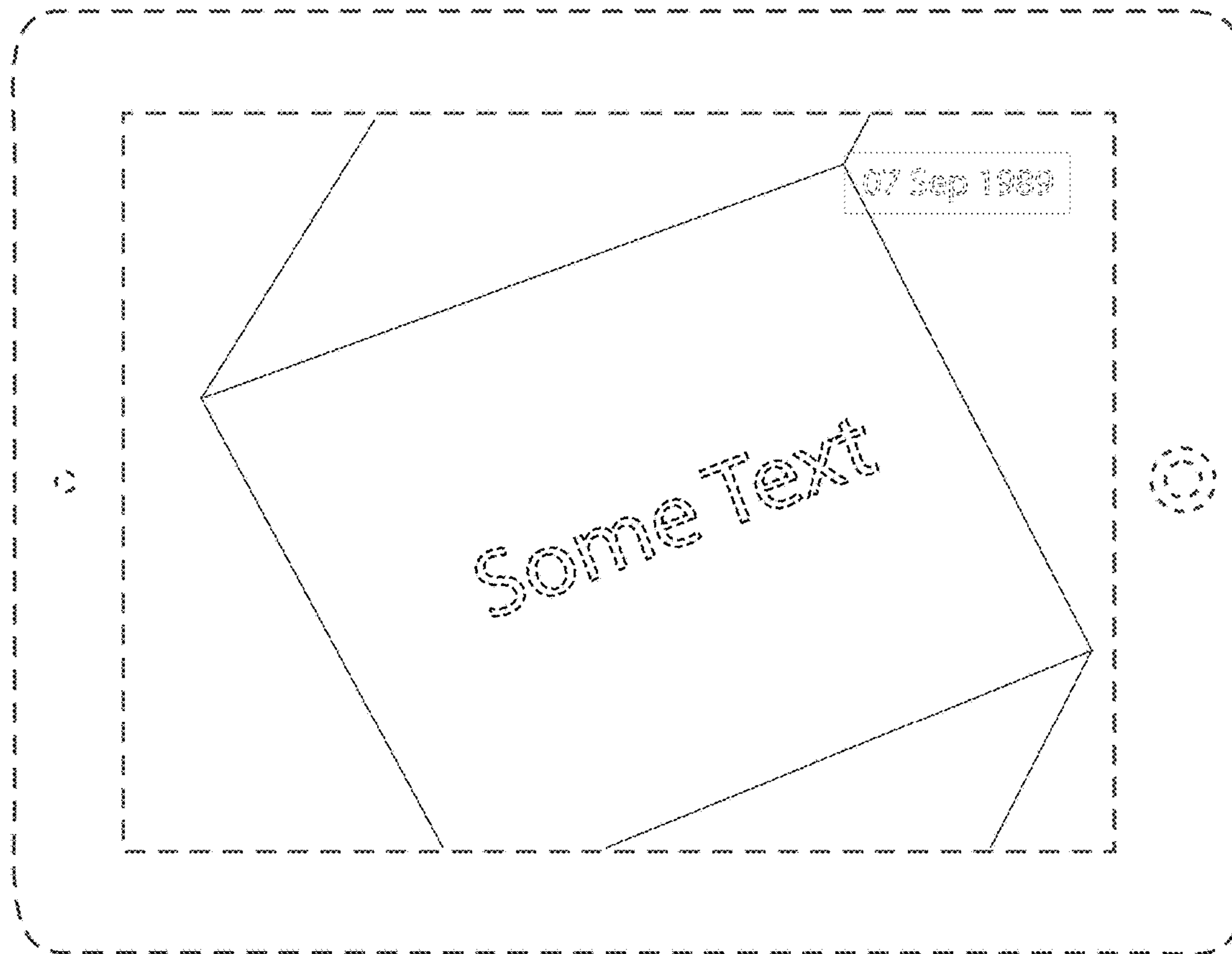


FIG. 9

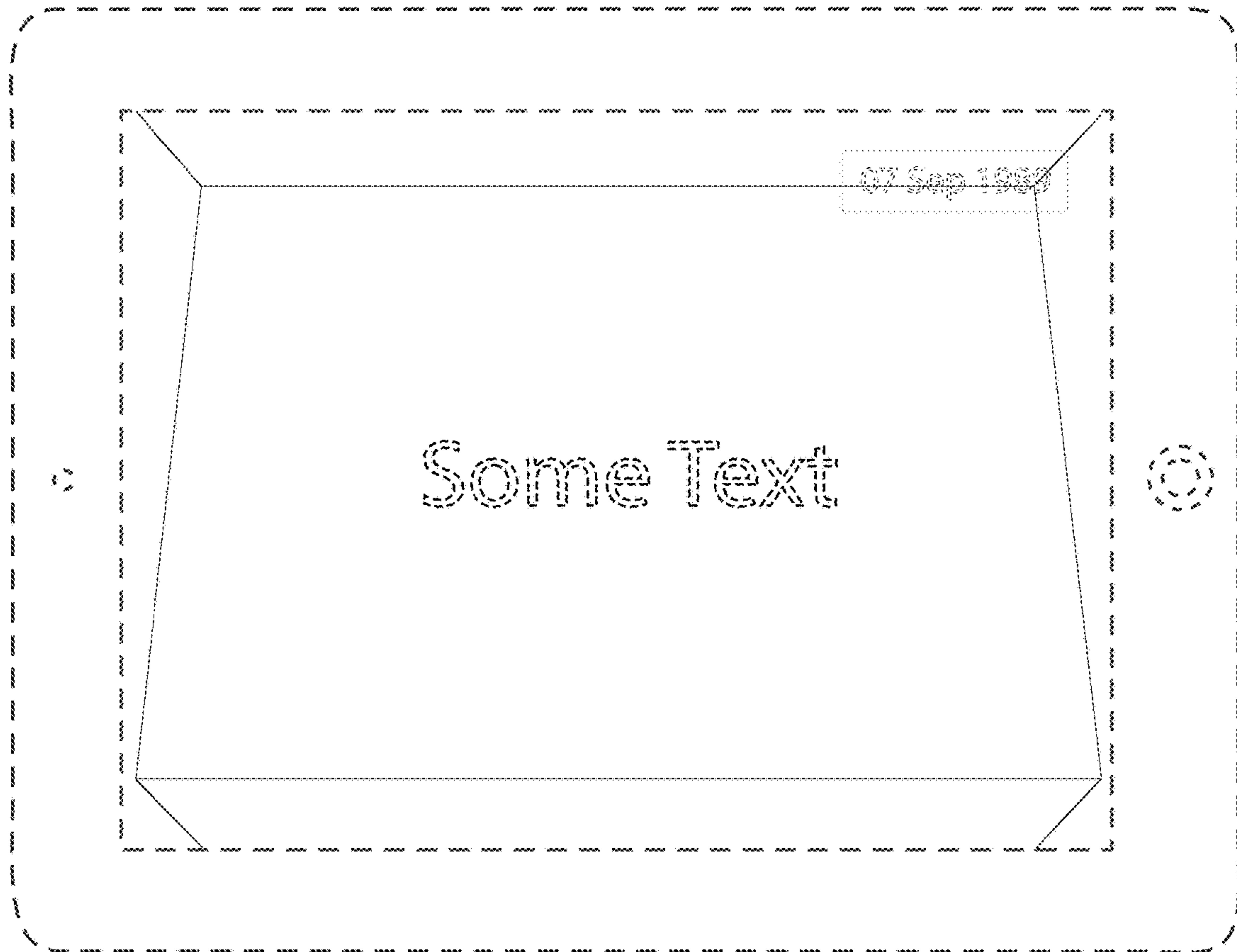


FIG. 10

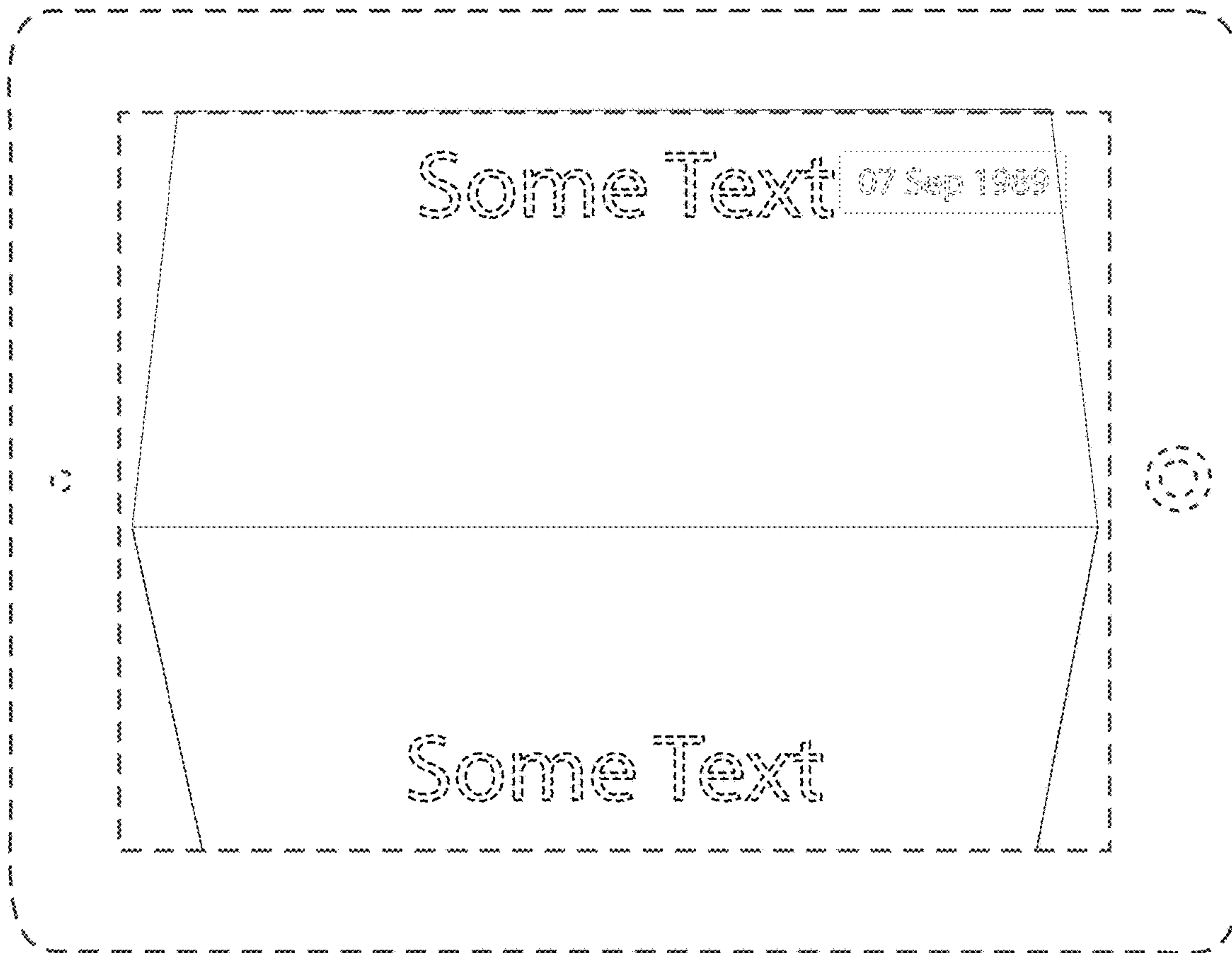


FIG. 11

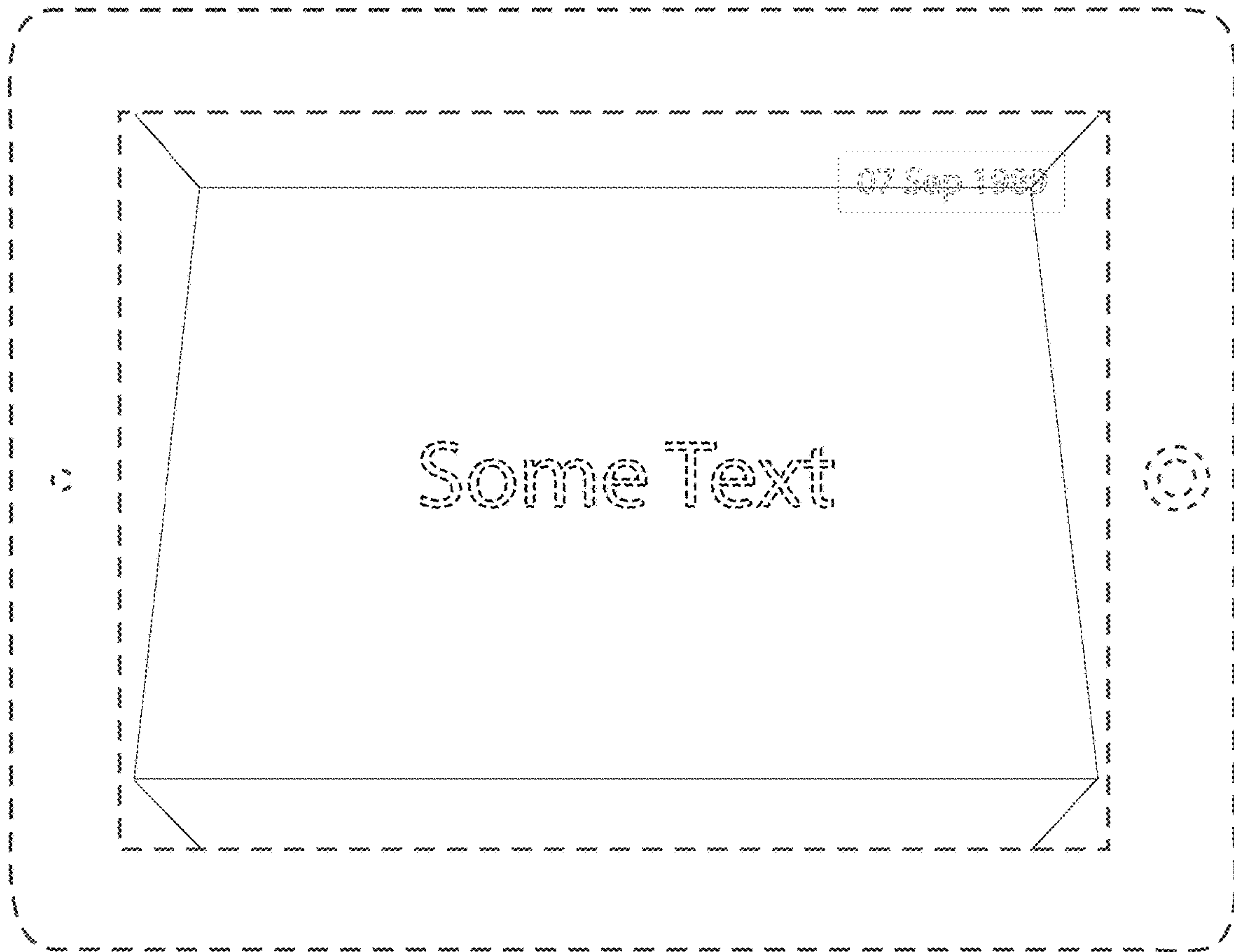


FIG. 12

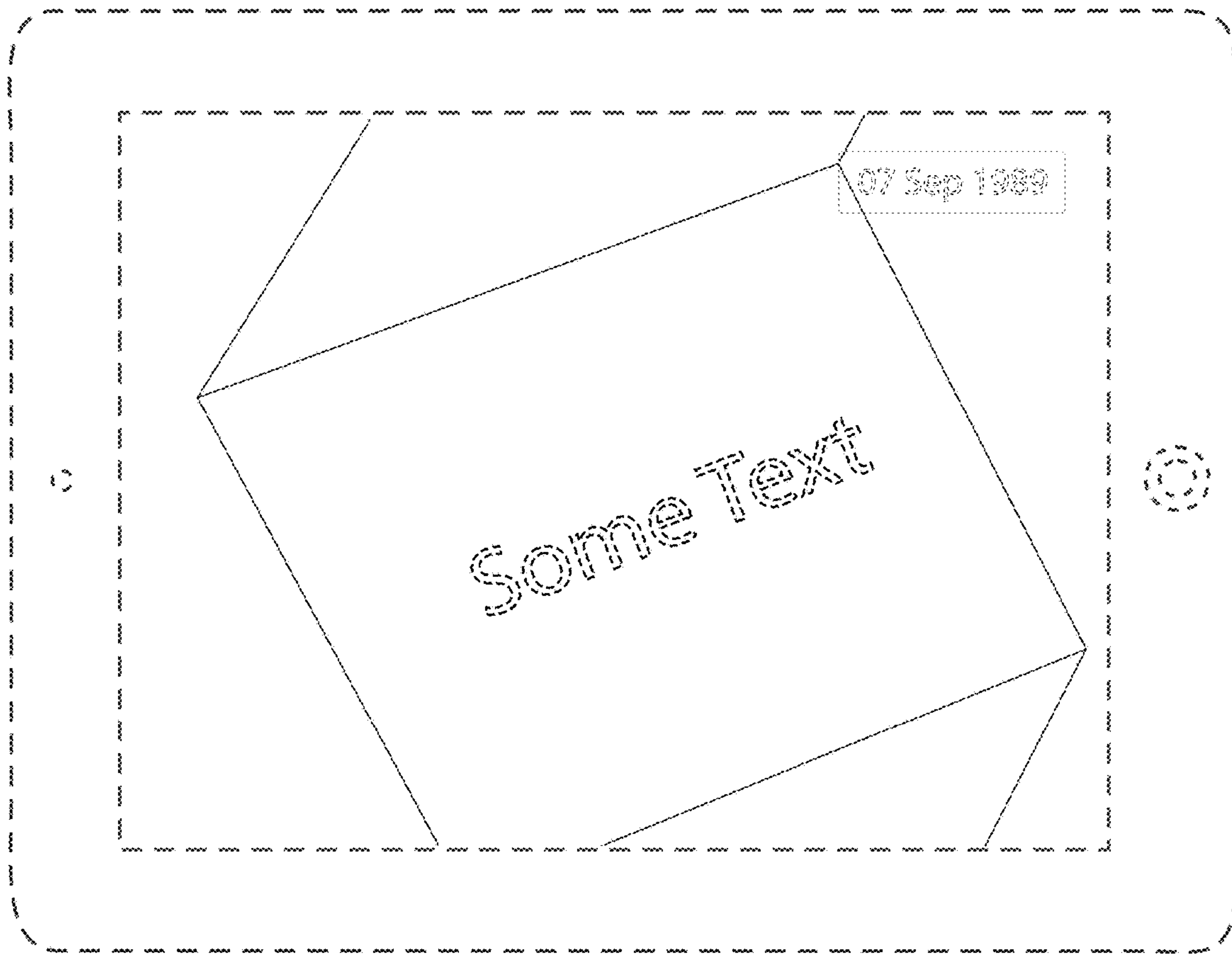


FIG. 13

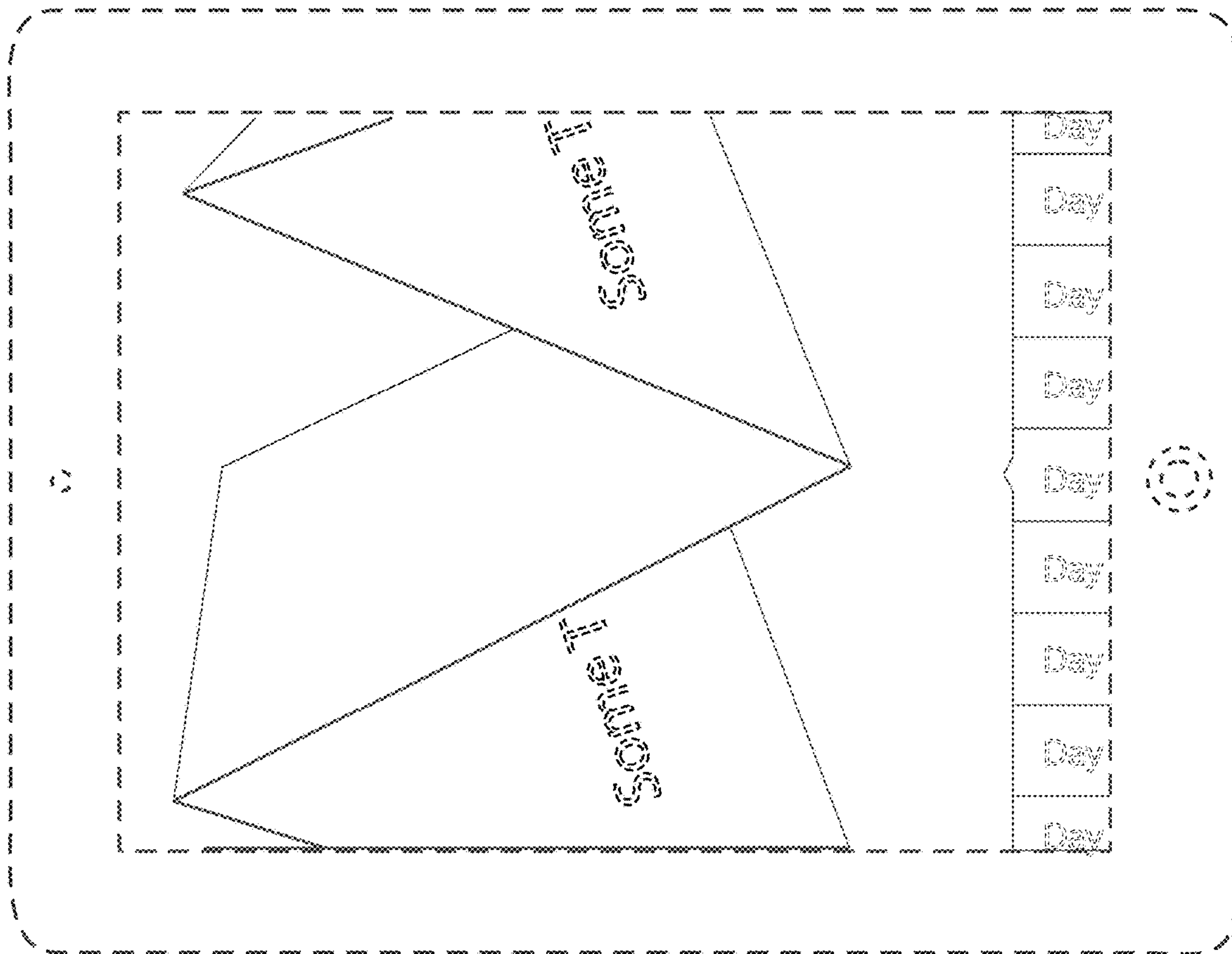
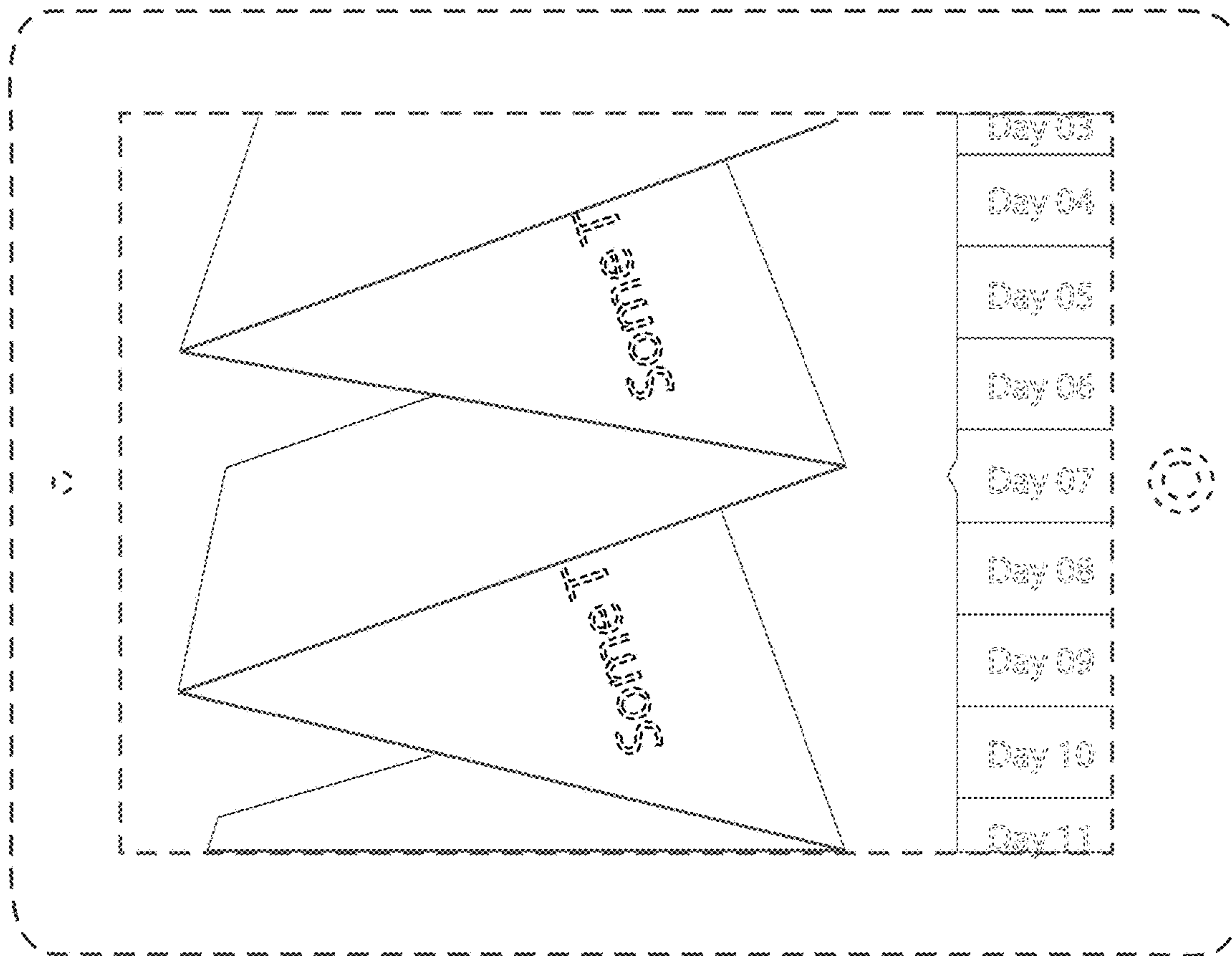


FIG. 14



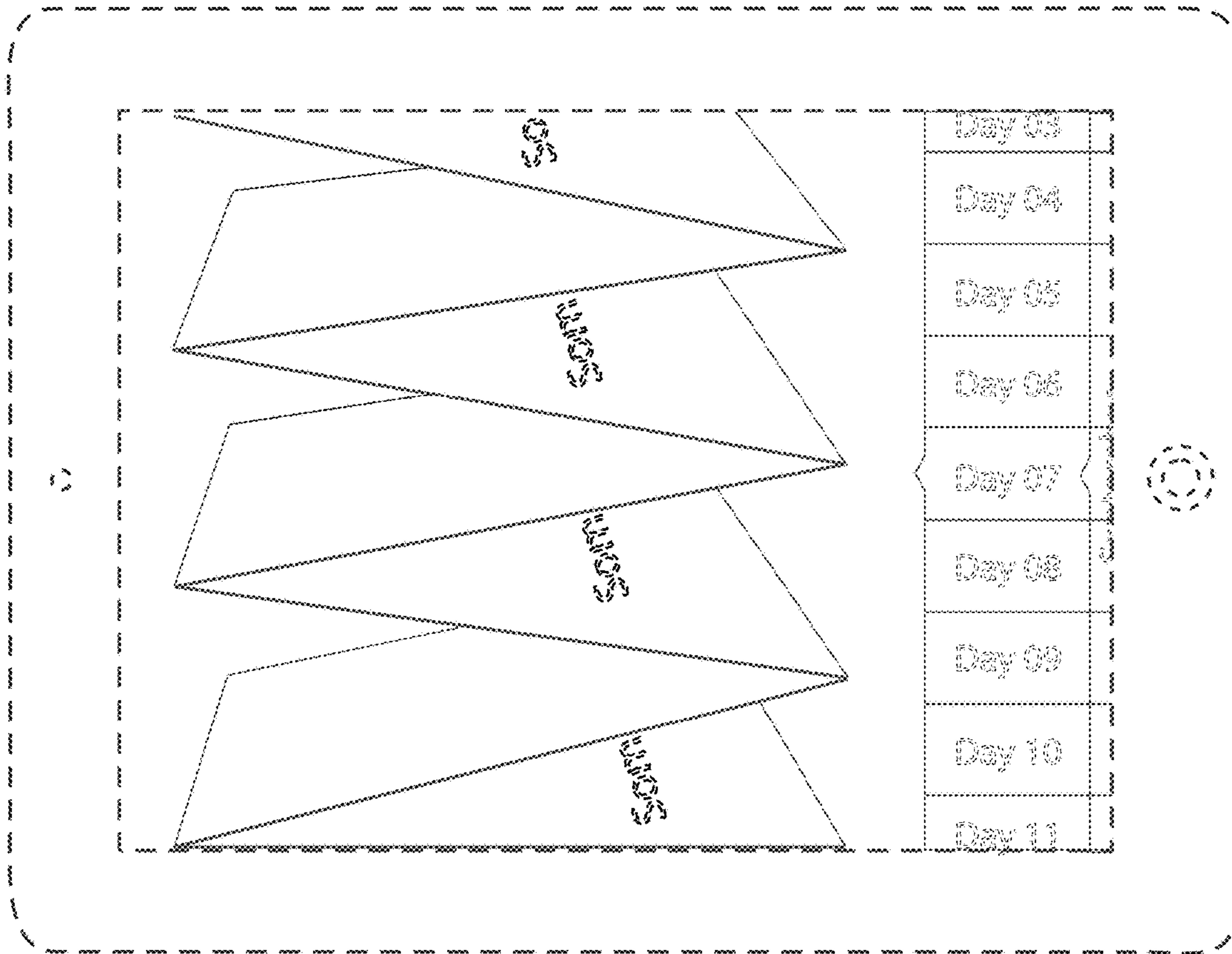


FIG. 16

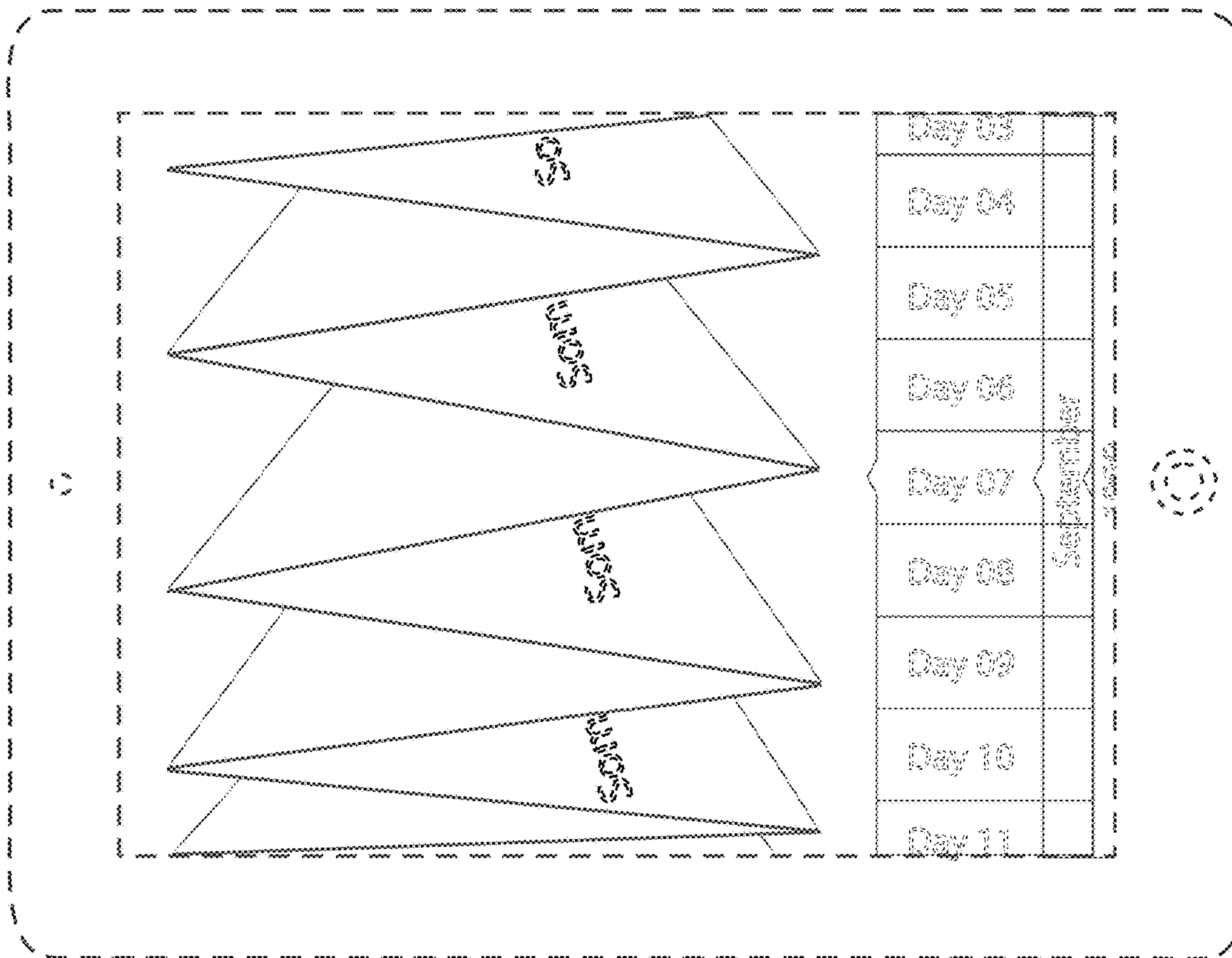


FIG. 17

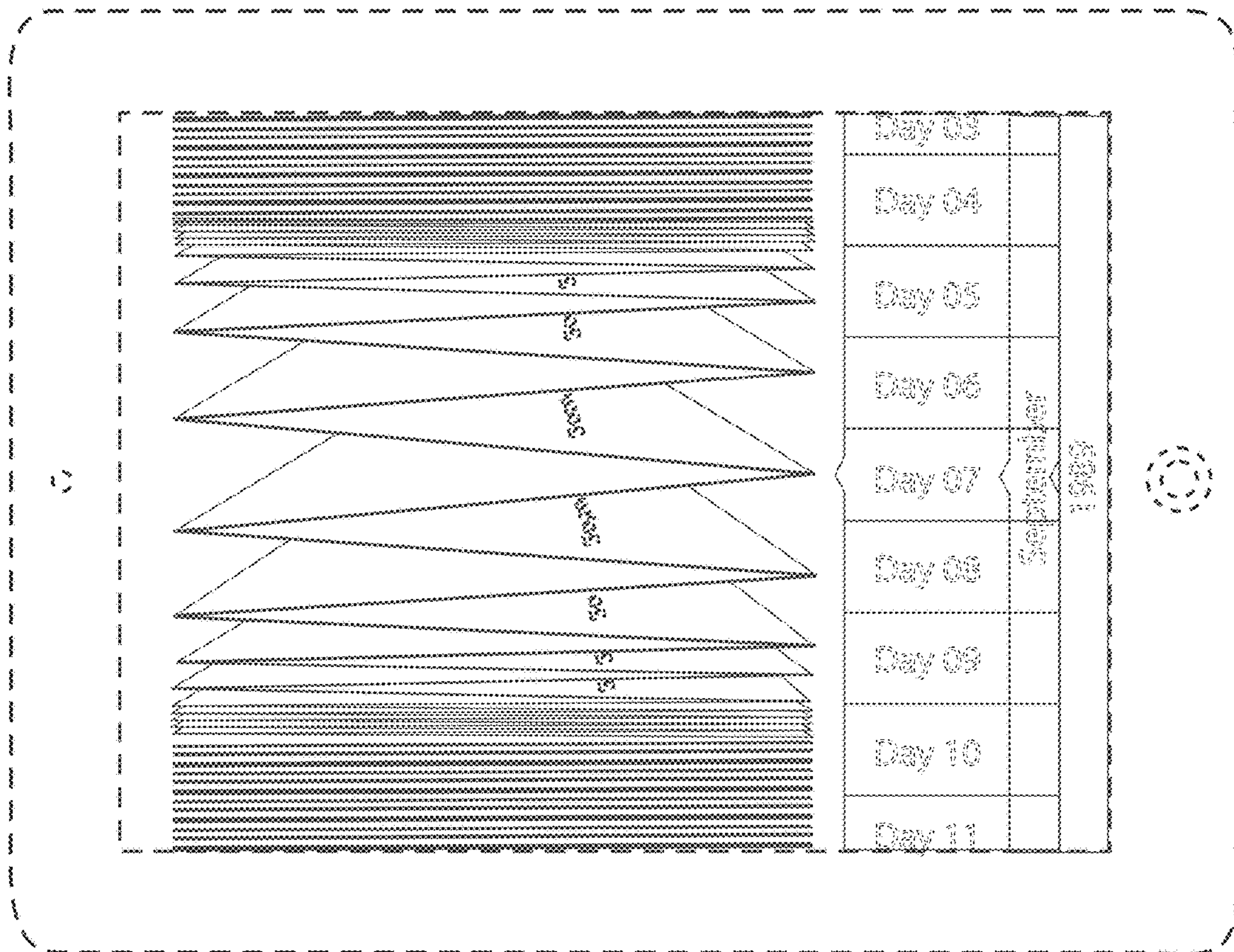


FIG. 18

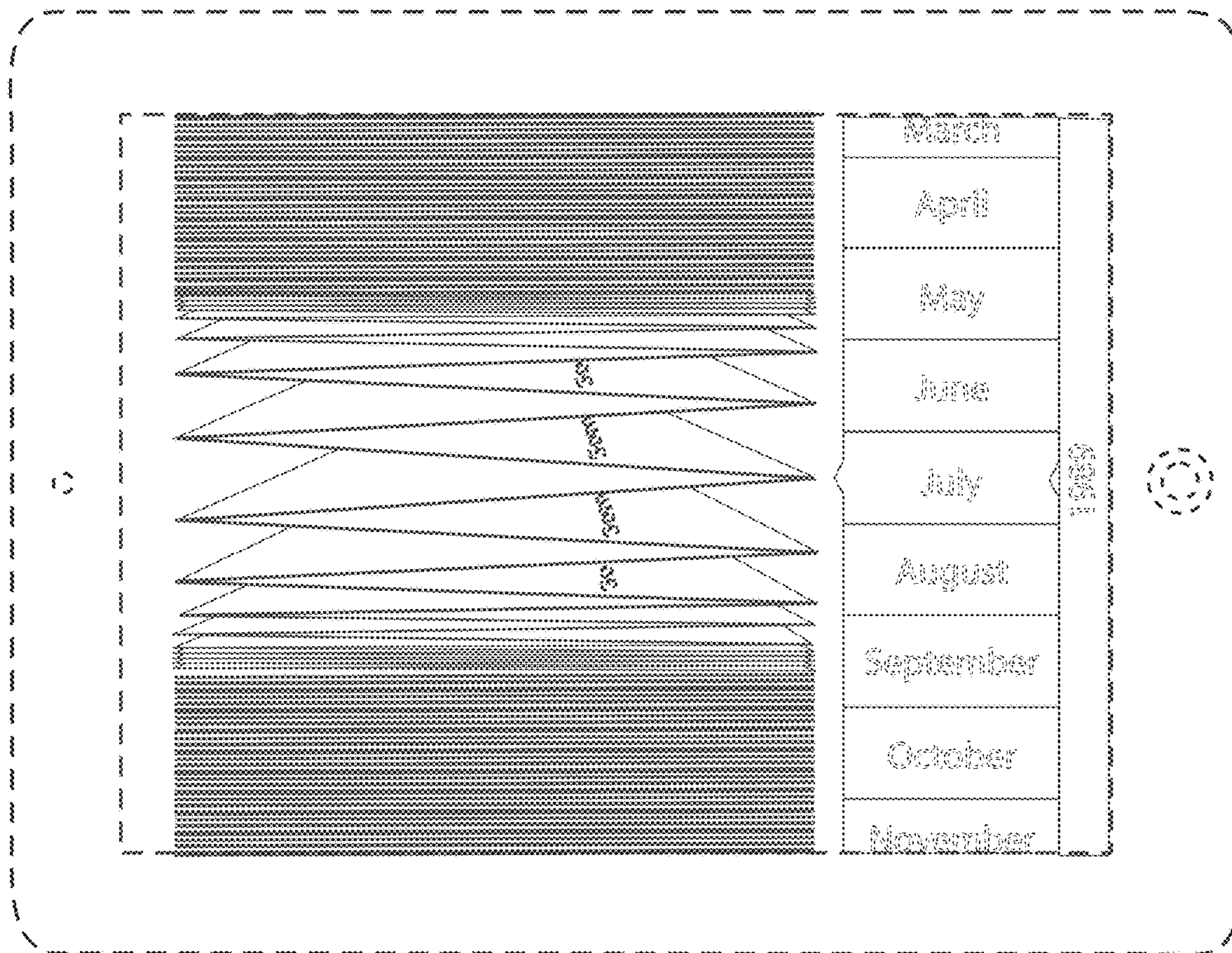


FIG. 19

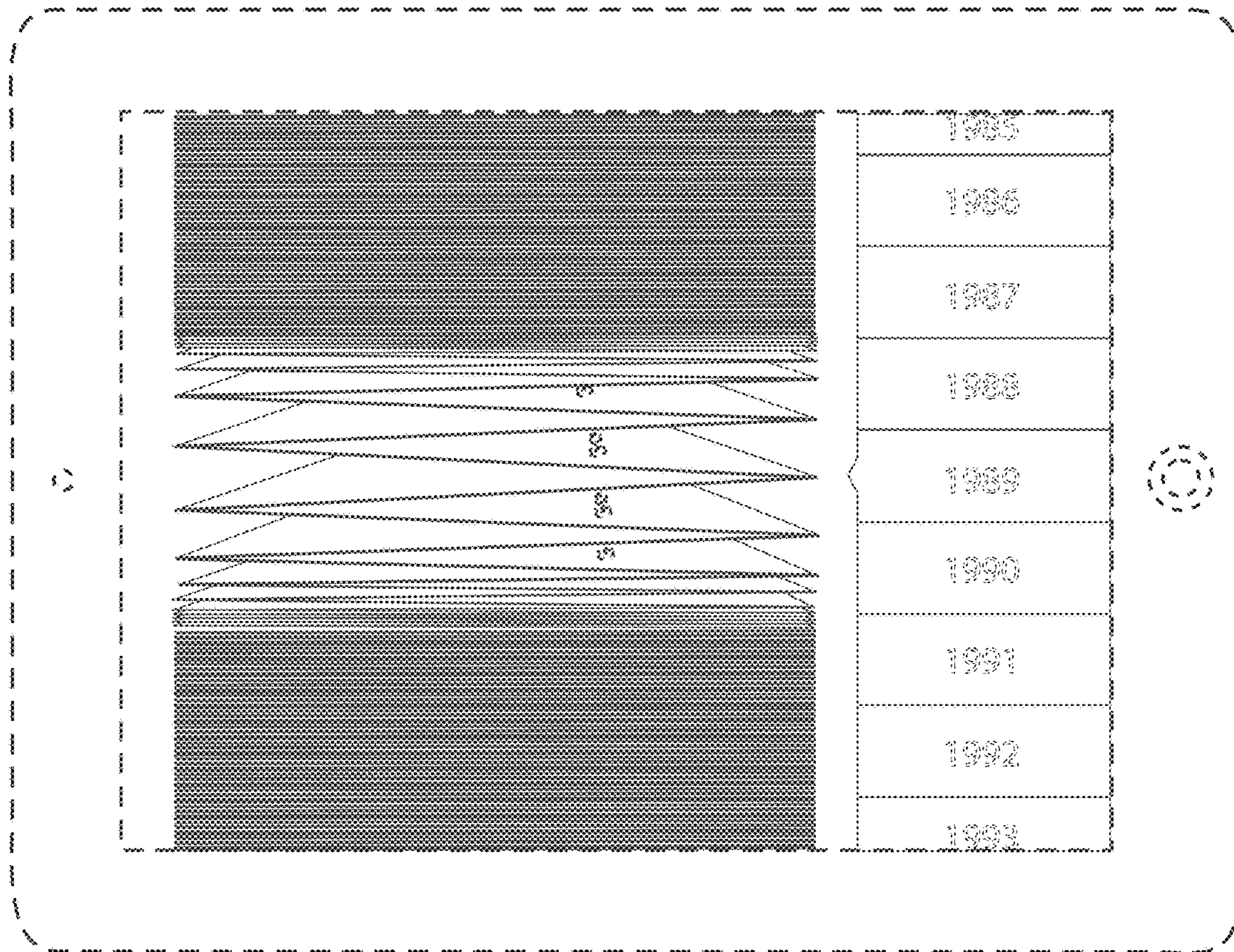


FIG. 20

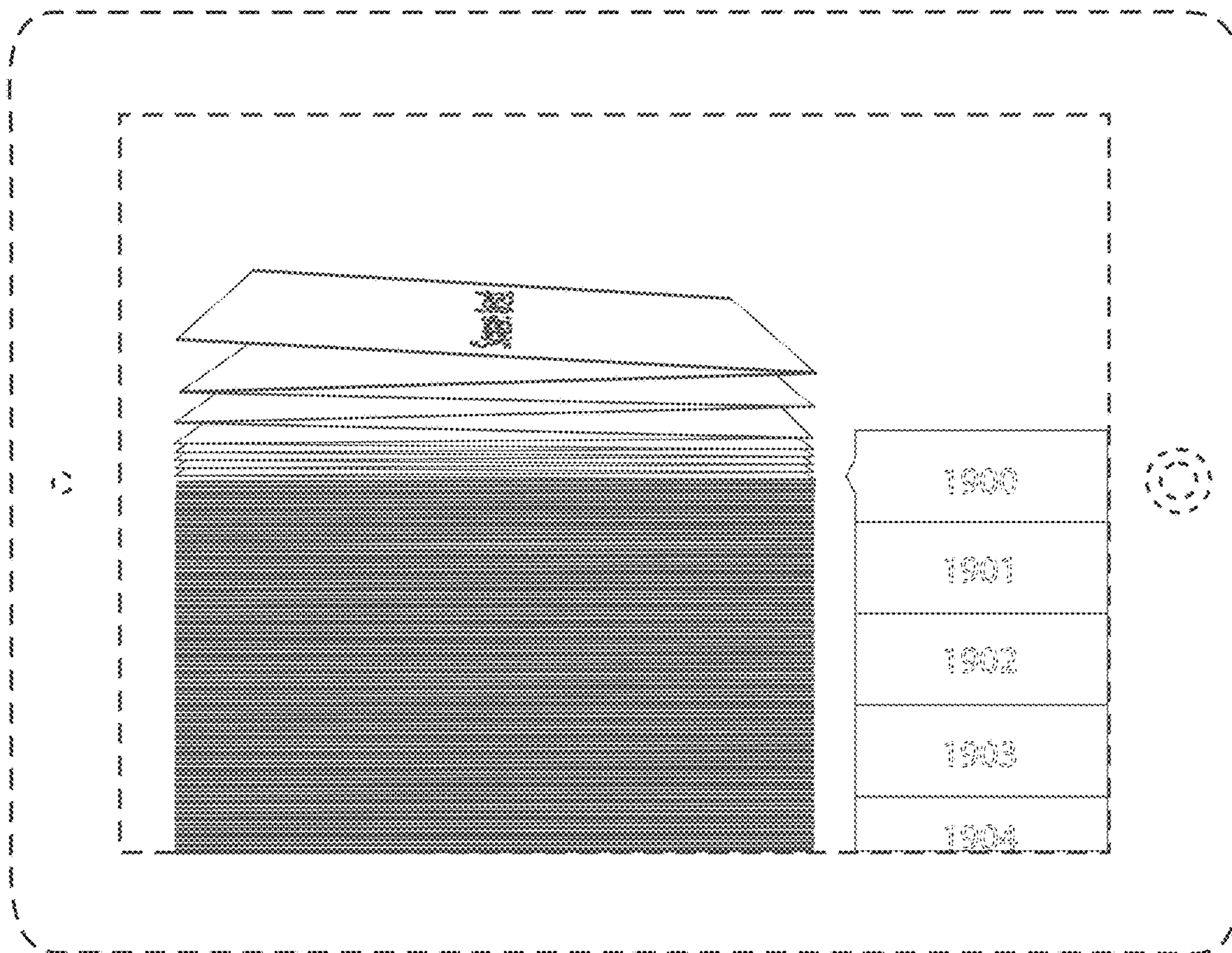


FIG. 21