



US00D808994S

(12) **United States Design Patent** (10) **Patent No.:** **US D808,994 S**
Mangold et al. (45) **Date of Patent:** **** Jan. 30, 2018**

(54) **BEVERAGE BREWER DISPLAY SCREEN OR PORTION THEREOF WITH ANIMATED GRAPHICAL USER INTERFACE**

from Internet: <<http://sprudge.com/alpha-dominche-sight-brewer-debuts-at-scaa-98236.html>>.*

(Continued)

(71) Applicant: **Alpha Dominche Limited**, Salt Lake City, UT (US)

Primary Examiner — Karen E Kearney

Assistant Examiner — John M Otte

(72) Inventors: **Adam Roth Mangold**, Salt Lake City, UT (US); **Tymer T. Tilton**, Salt Lake City, UT (US)

(74) *Attorney, Agent, or Firm* — Phillips Ryther & Winchester; Matthew D. Thayne

(73) Assignee: **ALPHA DOMINCHE HOLDINGS, INC.**, Dallas, TX (US)

(57) **CLAIM**

(**) Term: **15 Years**

The ornamental design for a beverage brewer display screen or portion thereof with animated graphical user interface, as shown and described herein.

(21) Appl. No.: **29/561,310**

(22) Filed: **Apr. 14, 2016**

DESCRIPTION

(51) **LOC (11) Cl.** **14-04**

(52) **U.S. Cl.**
USPC **D14/486**

(58) **Field of Classification Search**
USPC D14/485–495; D10/49, 50
CPC G06F 3/04817; G06F 3/0482; G06F 3/04842; G06F 3/04883; G06F 17/00; G06F 19/00; A47J 31/00; B67D 5/56
See application file for complete search history.

FIG. 1 is a front view of a first image in a sequence for a beverage brewer display screen, or portion thereof, with an animated graphical user interface.

FIG. 2 is the second image of the sequence.

FIG. 3 is the third image of the sequence.

FIG. 4 is the fourth image of the sequence.

FIG. 5 is the fifth image of the sequence.

FIG. 6 is the sixth image of the sequence.

FIG. 7 is the seventh image of the sequence.

FIG. 8 is the eighth image of the sequence.

FIG. 9 is the ninth image of the sequence.

FIG. 10 is the tenth image of the sequence.

FIG. 11 is the eleventh image of the sequence; and,

FIG. 12 is the twelfth image of the sequence.

The appearance of the animated user interface sequentially transitions between the images shown in FIGS. 1-12. The process or period in which one image transitions to another forms no part of the claimed design. The broken line showing of the display screen and portions of the animated graphical user interface are included for the purpose of illustrating portions of the article and form no part of the claimed design.

(56) **References Cited**

U.S. PATENT DOCUMENTS

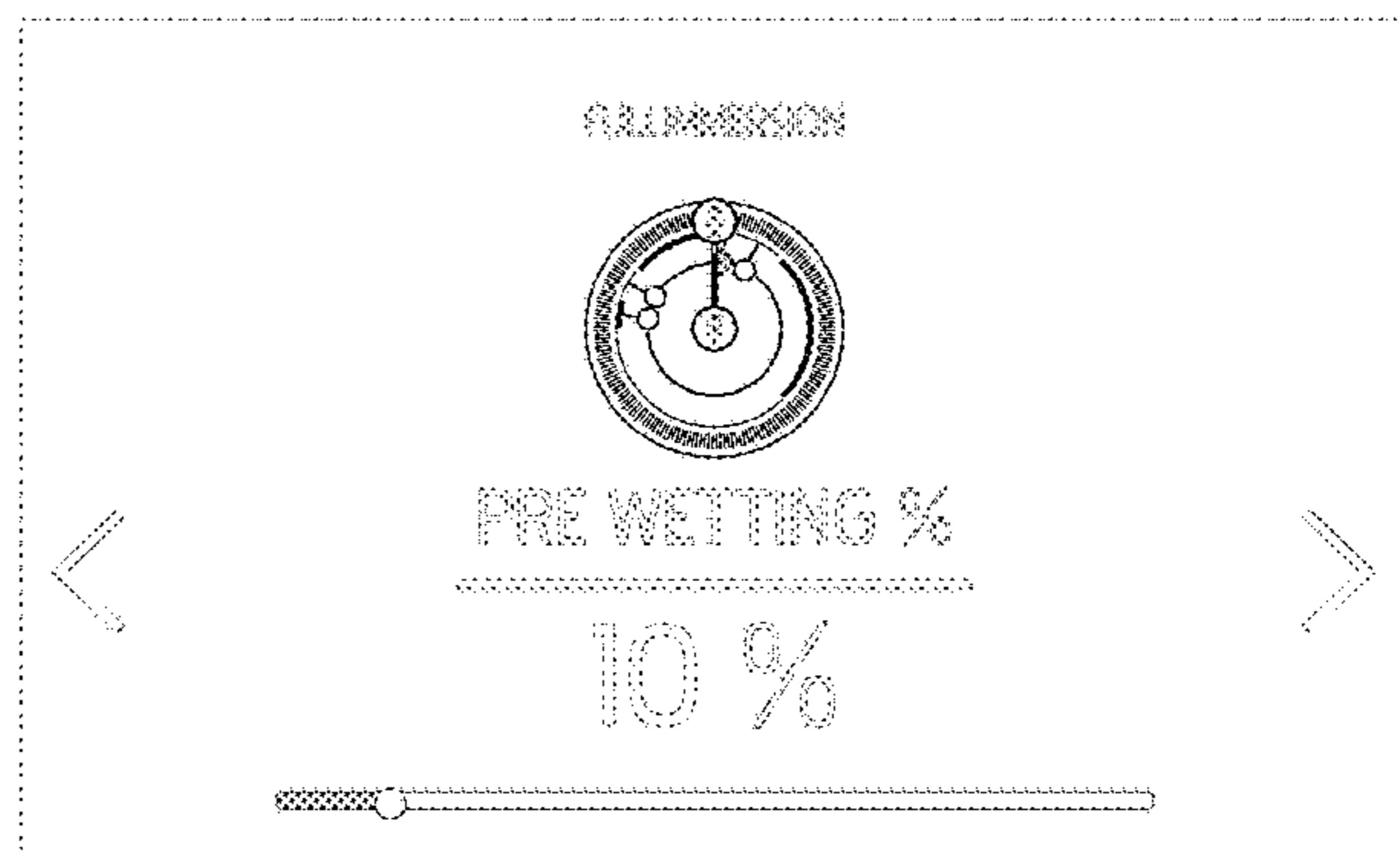
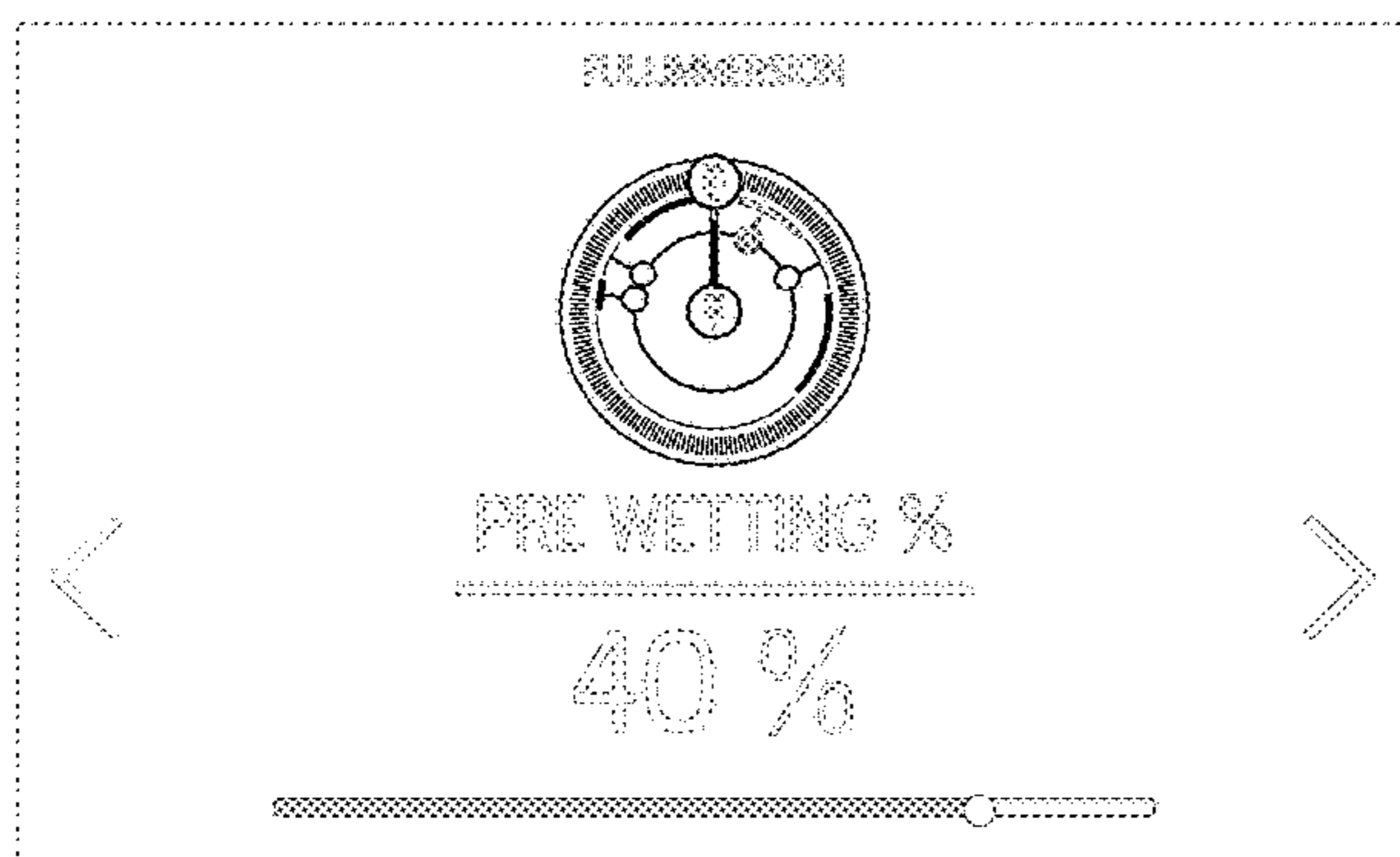
D555,164 S *	11/2007	Sergio	D14/486
D557,272 S *	12/2007	Glaser	D14/487
D566,722 S *	4/2008	Jackson	D14/489
D591,305 S *	4/2009	Shimoda	D14/485
D687,043 S *	7/2013	Matas	D14/485
D687,047 S *	7/2013	Hales, IV	D14/485
D701,226 S *	3/2014	Jung	D14/486

(Continued)

OTHER PUBLICATIONS

“Alpha Dominche Sight Brewer Debuts At SCAA 2016”, posted at sprudge.com, Apr. 16, 2016, [site visited Jan. 18, 2017]. Available

1 Claim, 12 Drawing Sheets



(56)

References Cited

U.S. PATENT DOCUMENTS

D712,920	S *	9/2014	Sloo	D14/487
D733,740	S *	7/2015	Lee	D14/487
D733,741	S *	7/2015	Lee	D14/487
D746,852	S *	1/2016	Zhou	D14/487
2012/0317512	A1 *	12/2012	Candrian	G06Q 30/0621
				715/815
2013/0185677	A1 *	7/2013	Chaudhri	G06F 3/04883
				715/833

OTHER PUBLICATIONS

“Loading progress bar icon layered psd”, posted at freepik.com, Feb. 25, 2016, [site visited Jan. 18, 2017]. Available from Internet: <http://web.archive.org/web/20160225070816/http://www.freepik.com/free-psd/loading-progress-bar-icon-layered-psd_688020.htm>.*

McGrath, Jenny, “Behmor Brewer Review”, posted at digitaltrends.com, Mar. 9, 2016, [site visited Jan. 18, 2017]. Available from Internet: <<http://www.digitaltrends.com/coffee-maker-reviews/behmor-brewer-review>>.*

“TypeStatus”, posted at cydia.saurik.com, Apr. 5, 2015, [site visited Jan. 18, 2017]. Available from Internet: <<http://web.archive.org/web/20150405010839/http://cydia.saurik.com/package/ws.hbang.typestatus>>.*

* cited by examiner

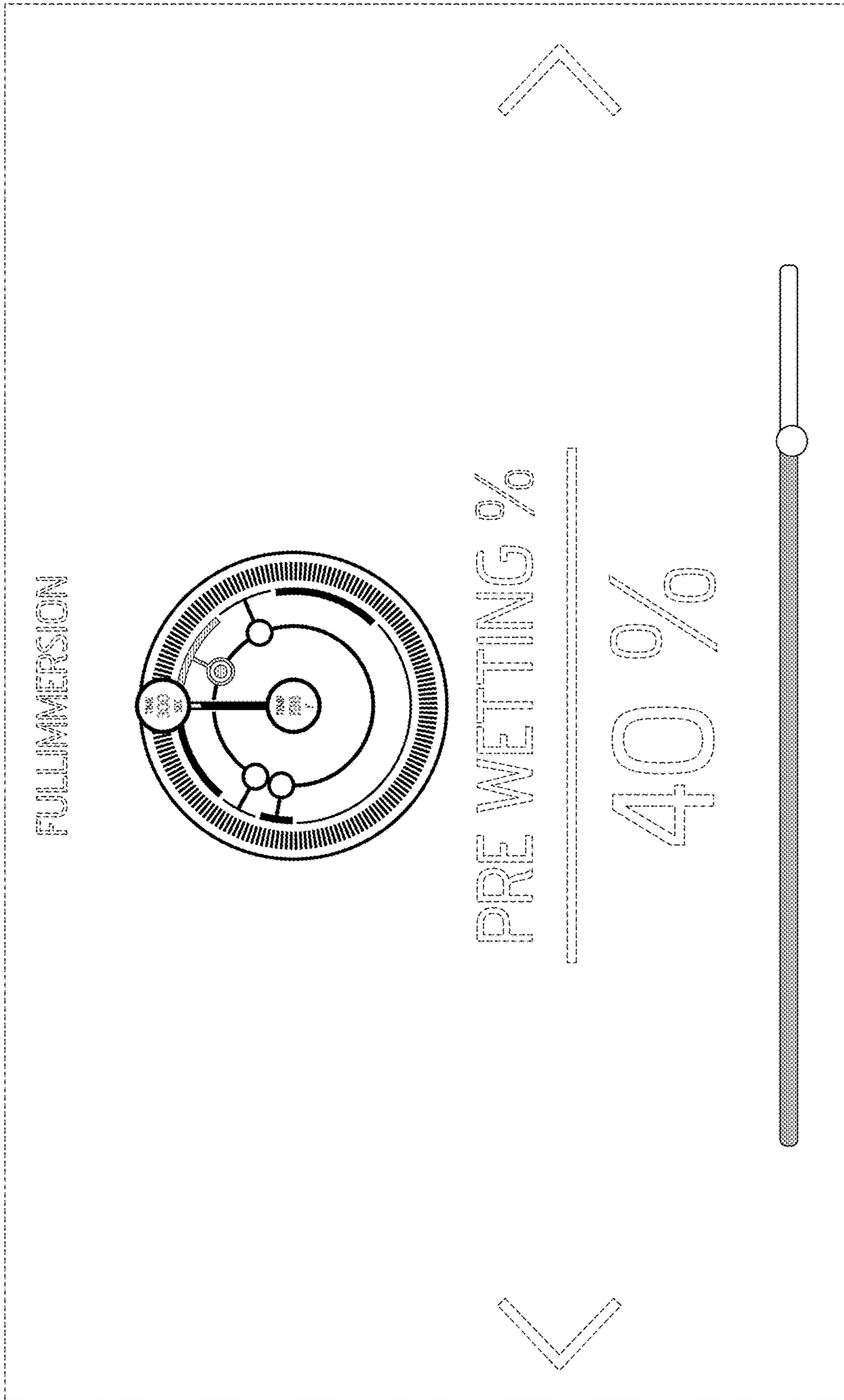


FIG. 1

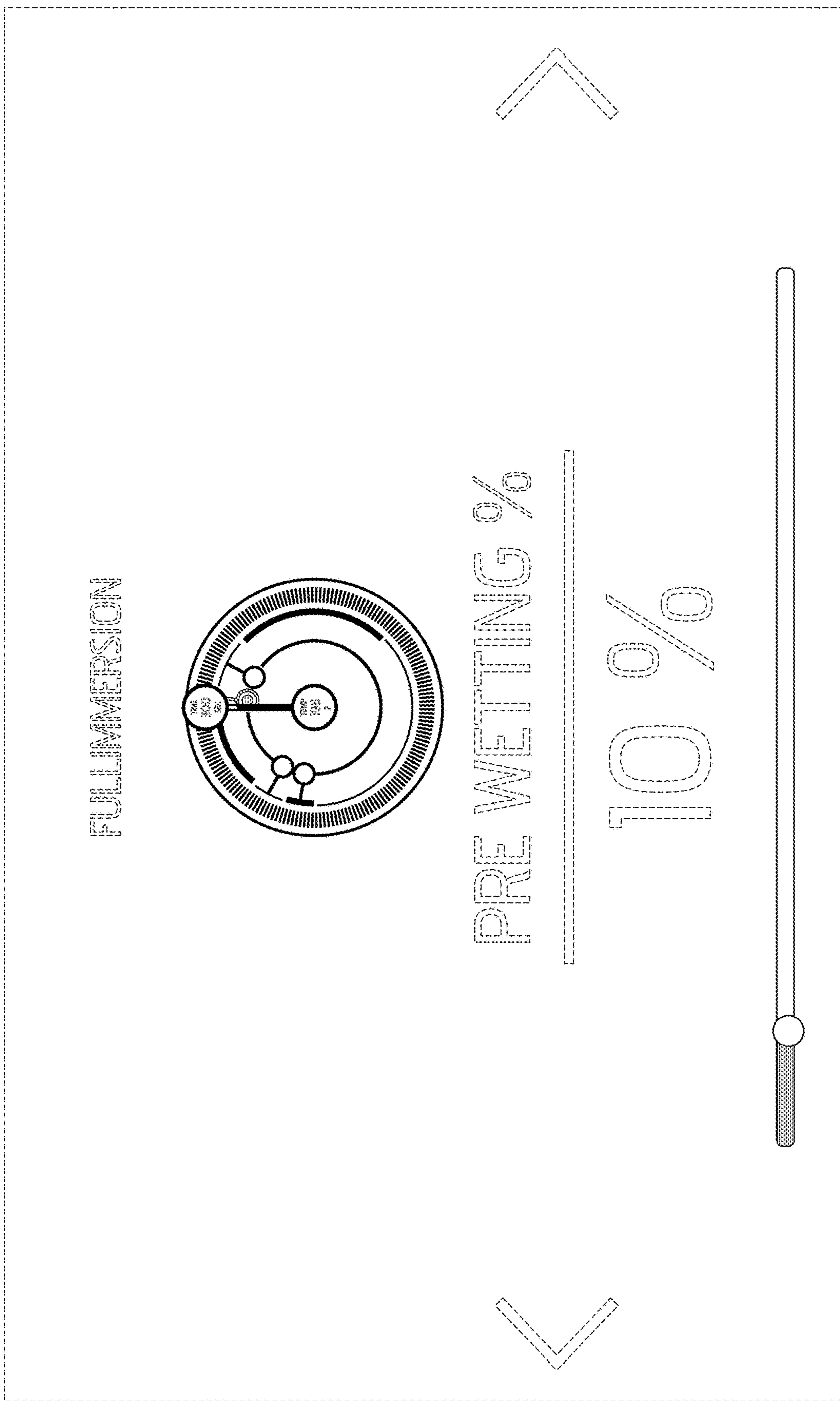


FIG. 2

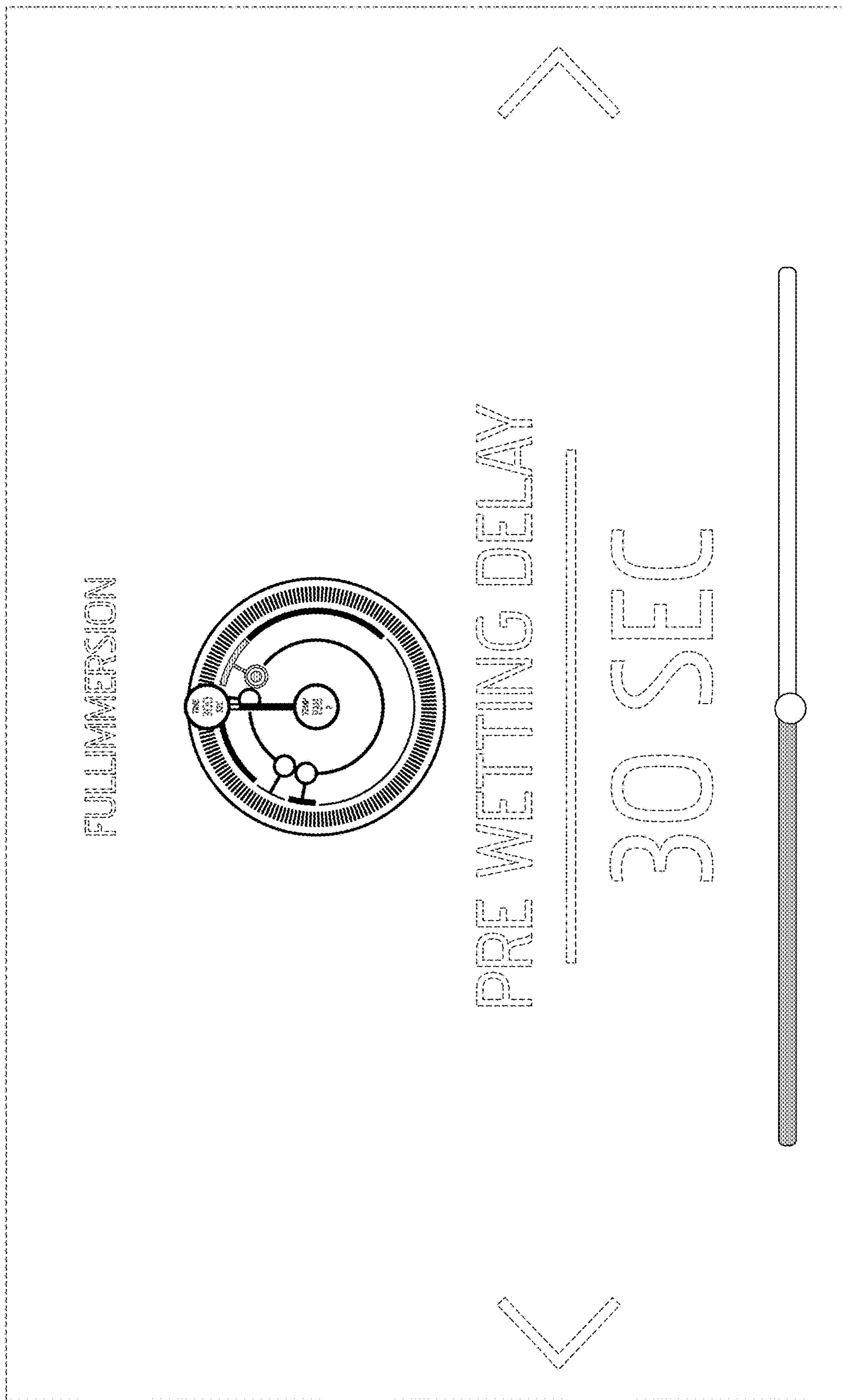


FIG. 3

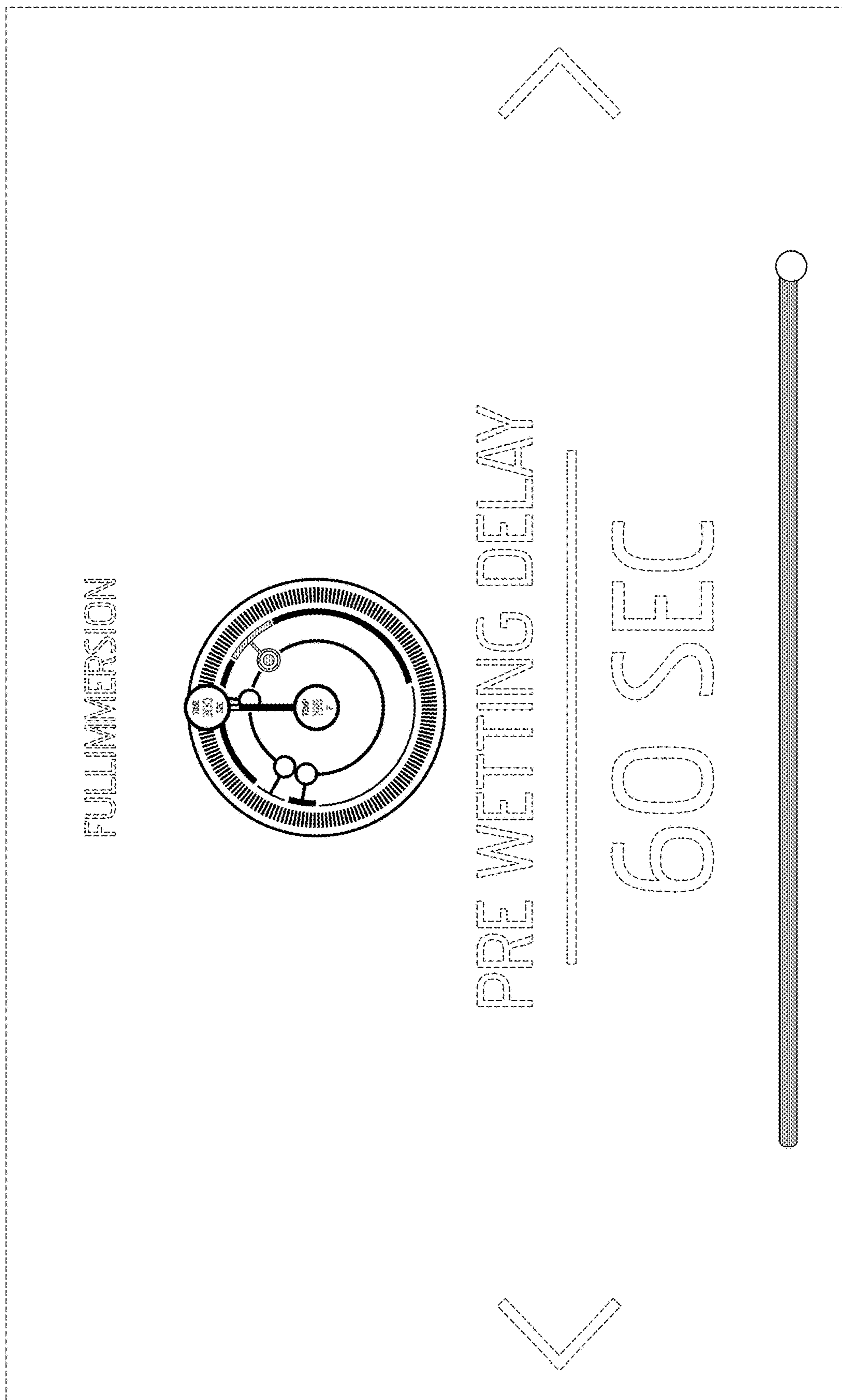
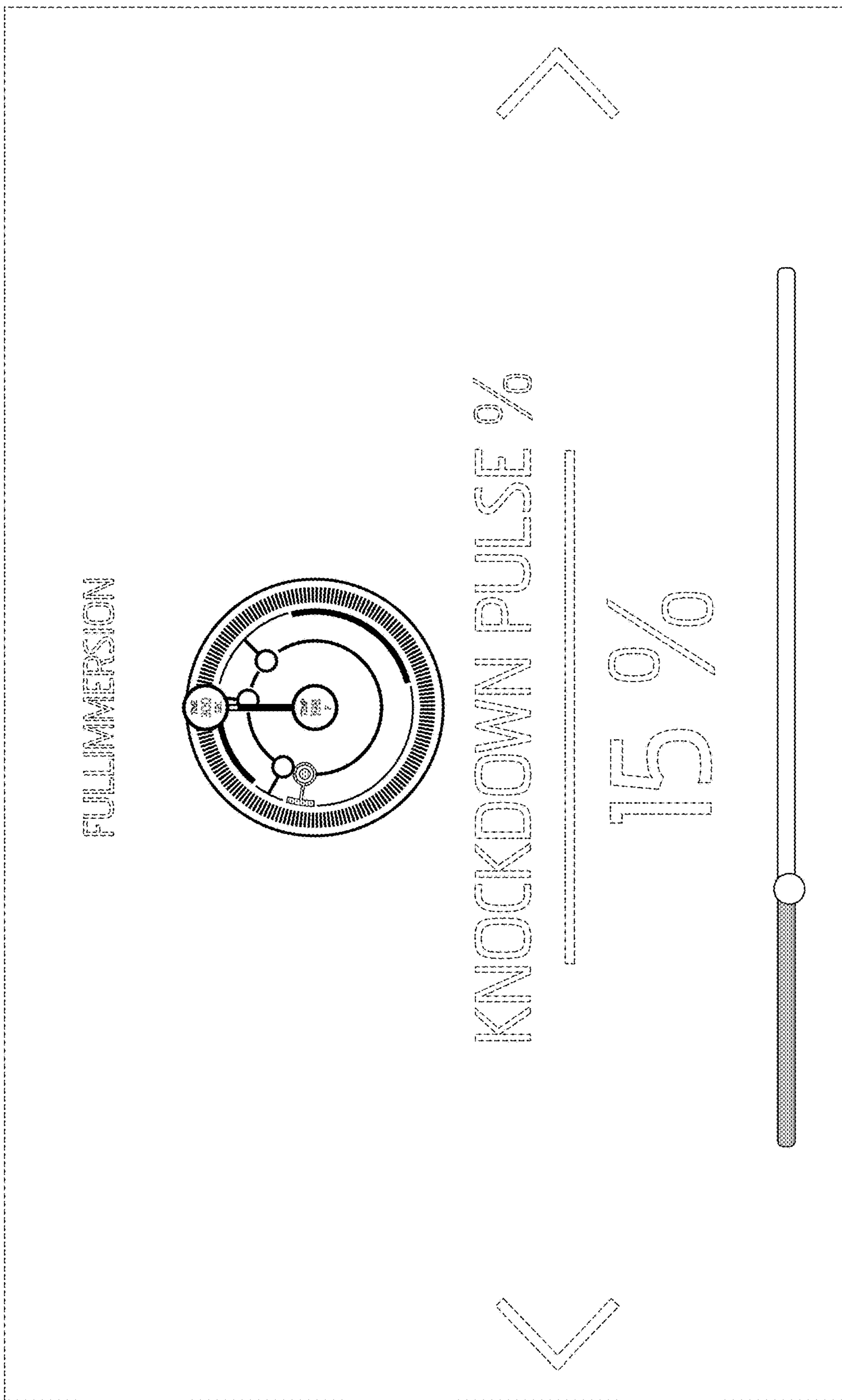


FIG. 4



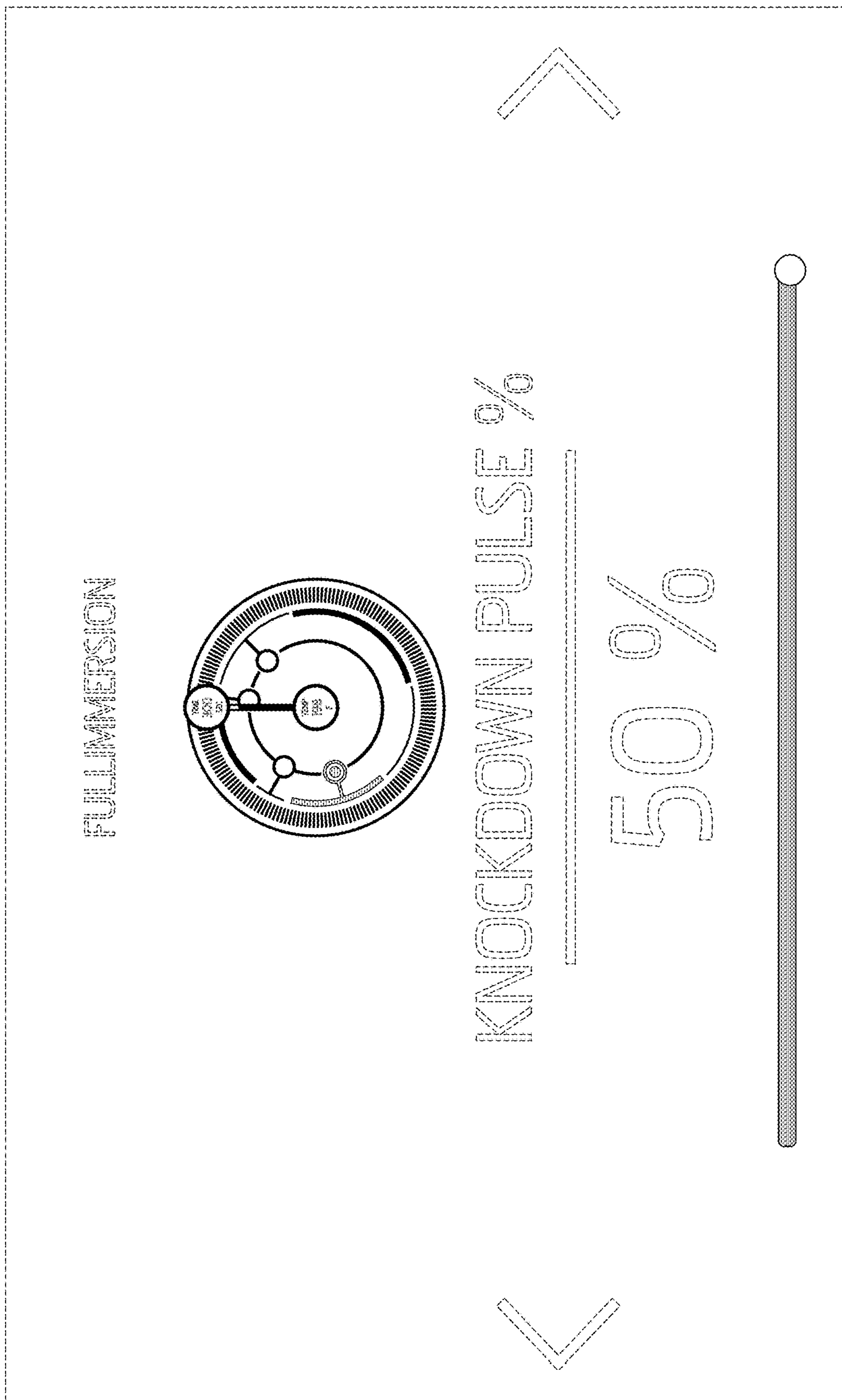


FIG. 6

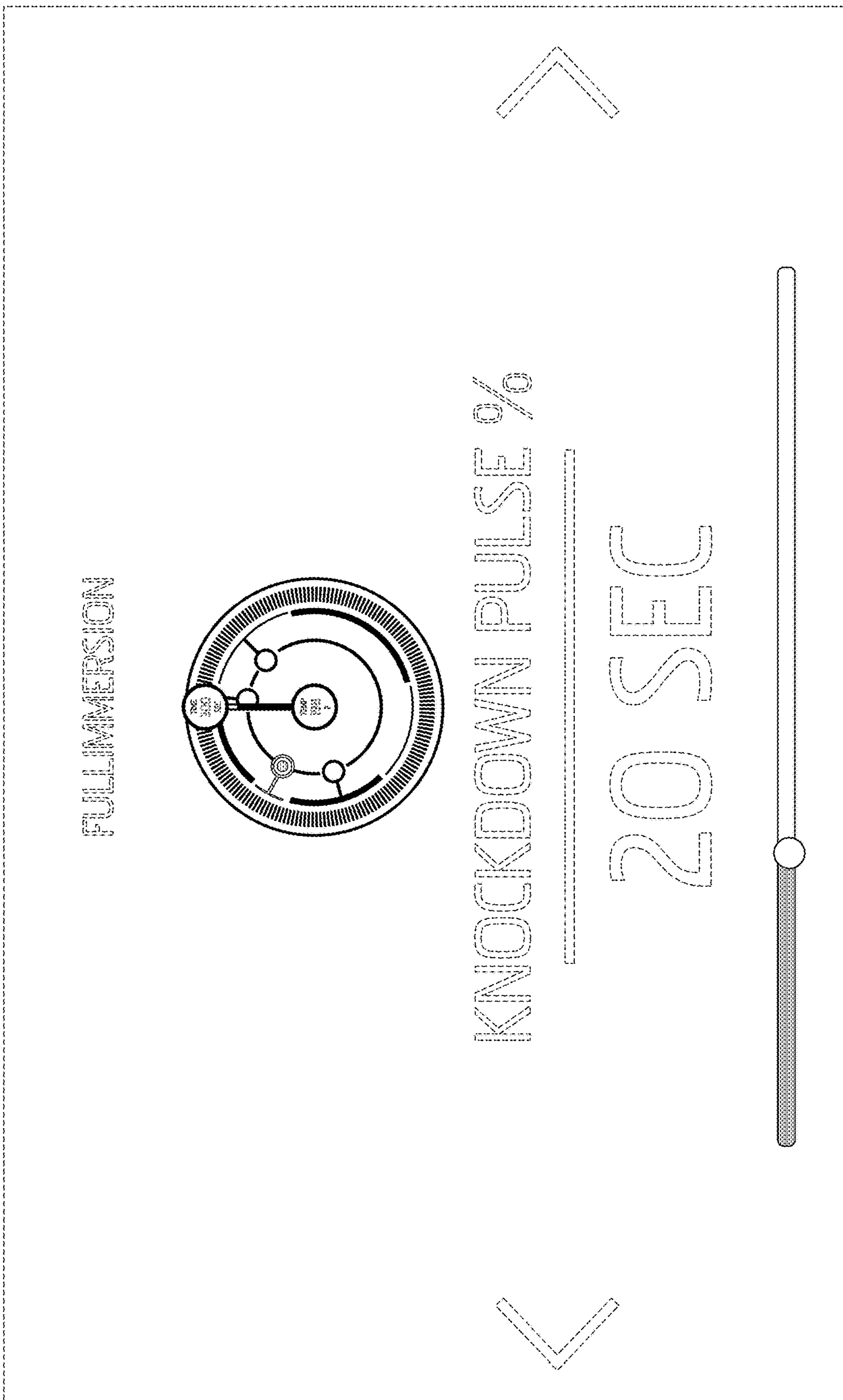


FIG. 7

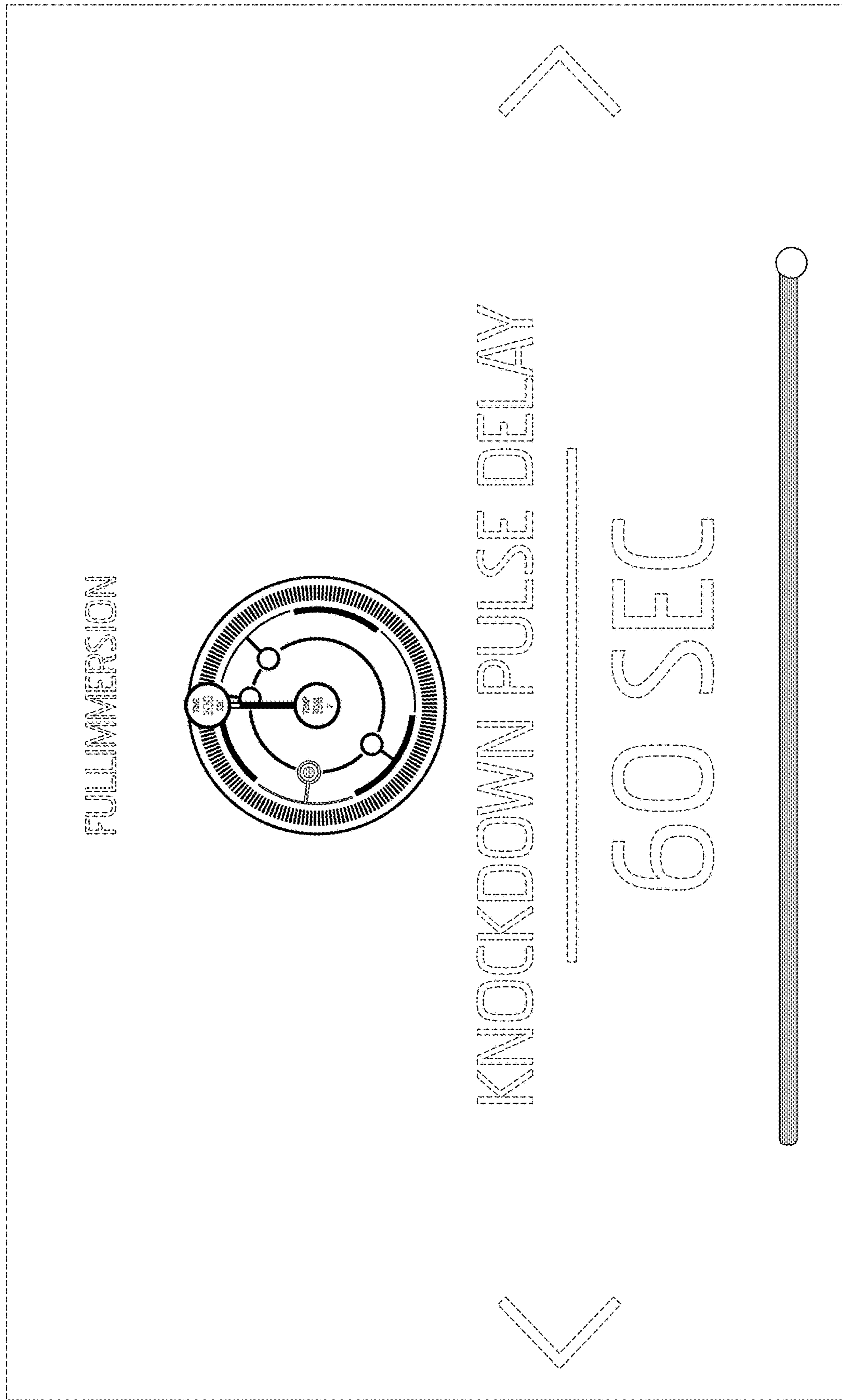


FIG. 8

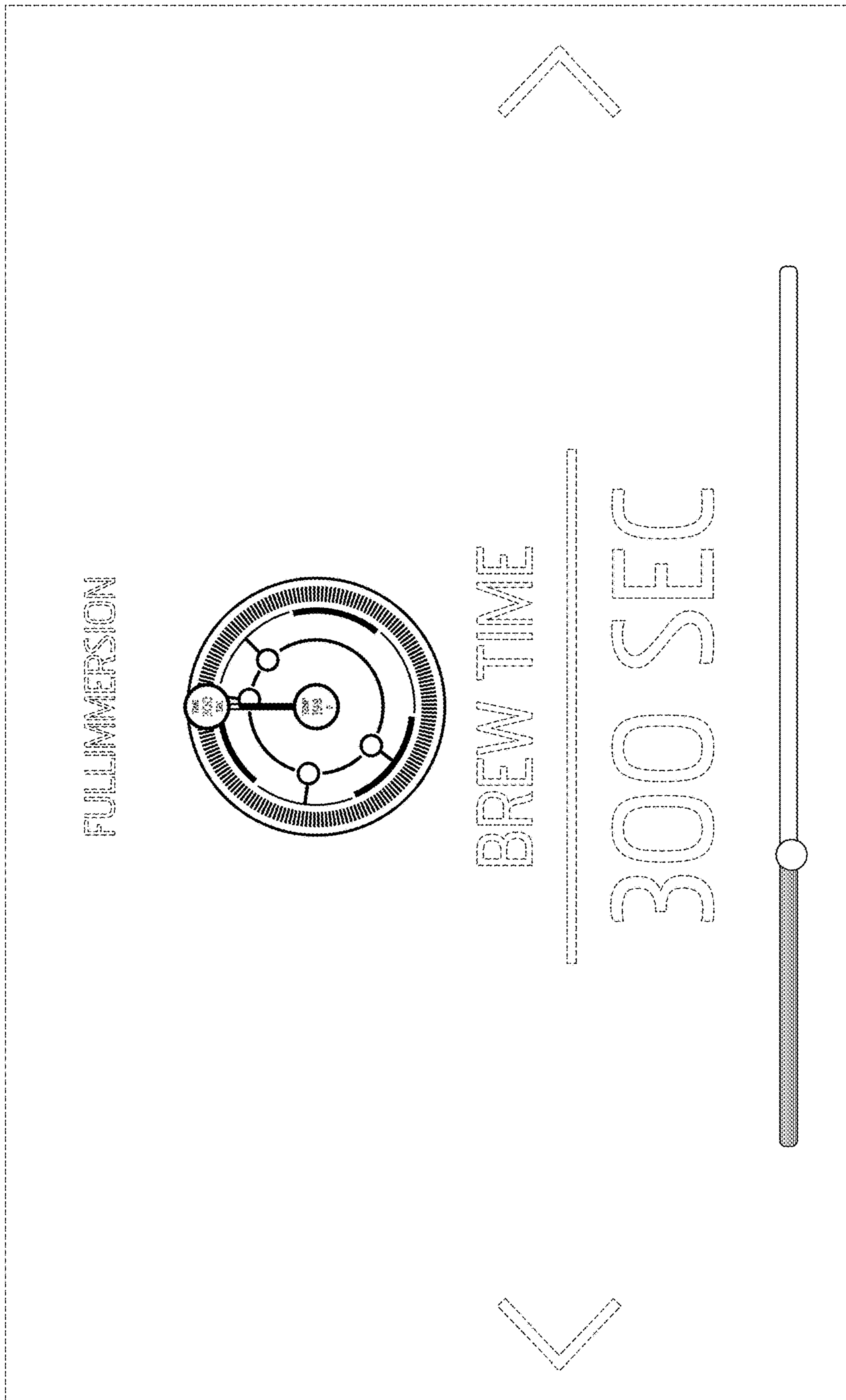


FIG. 9

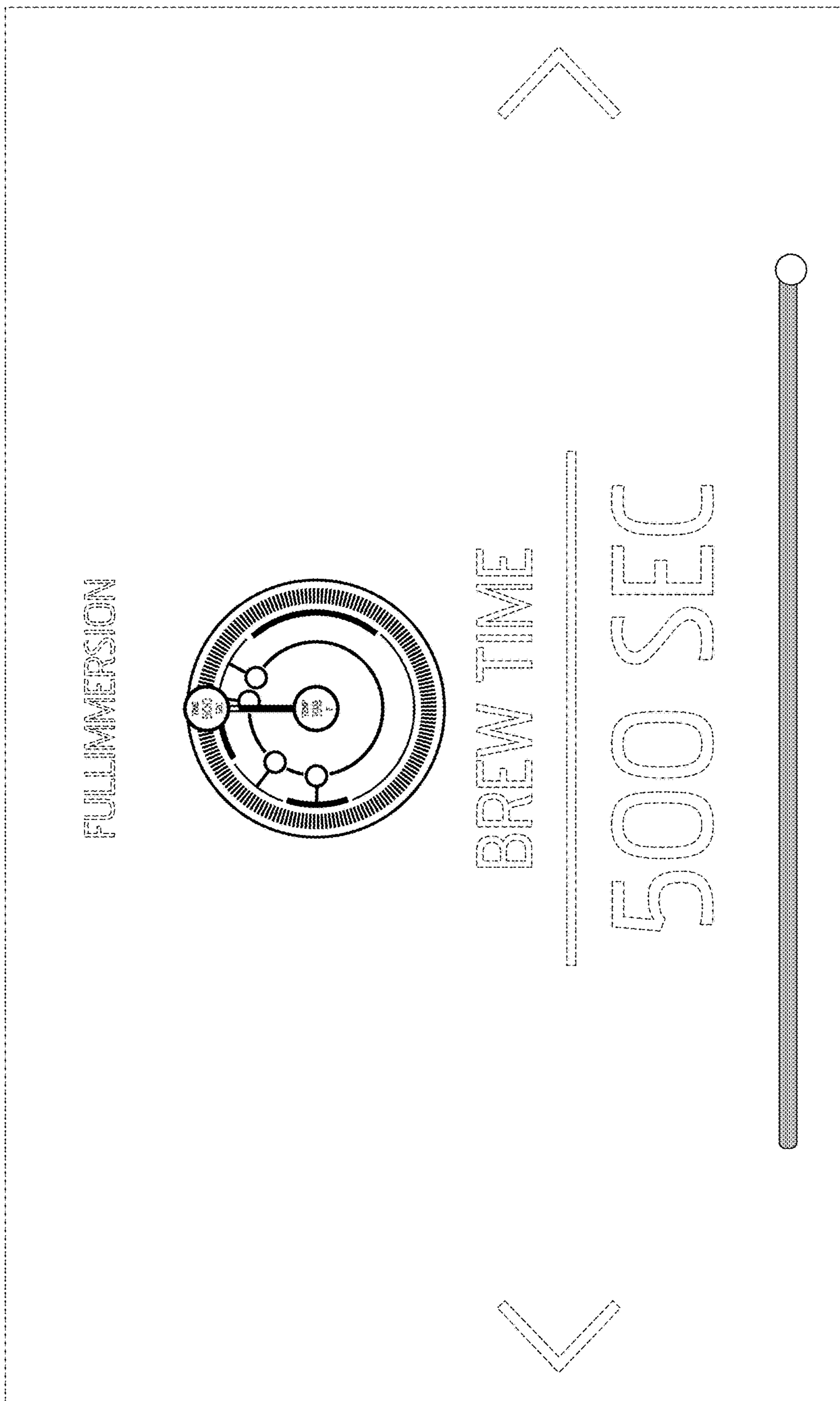


FIG. 10

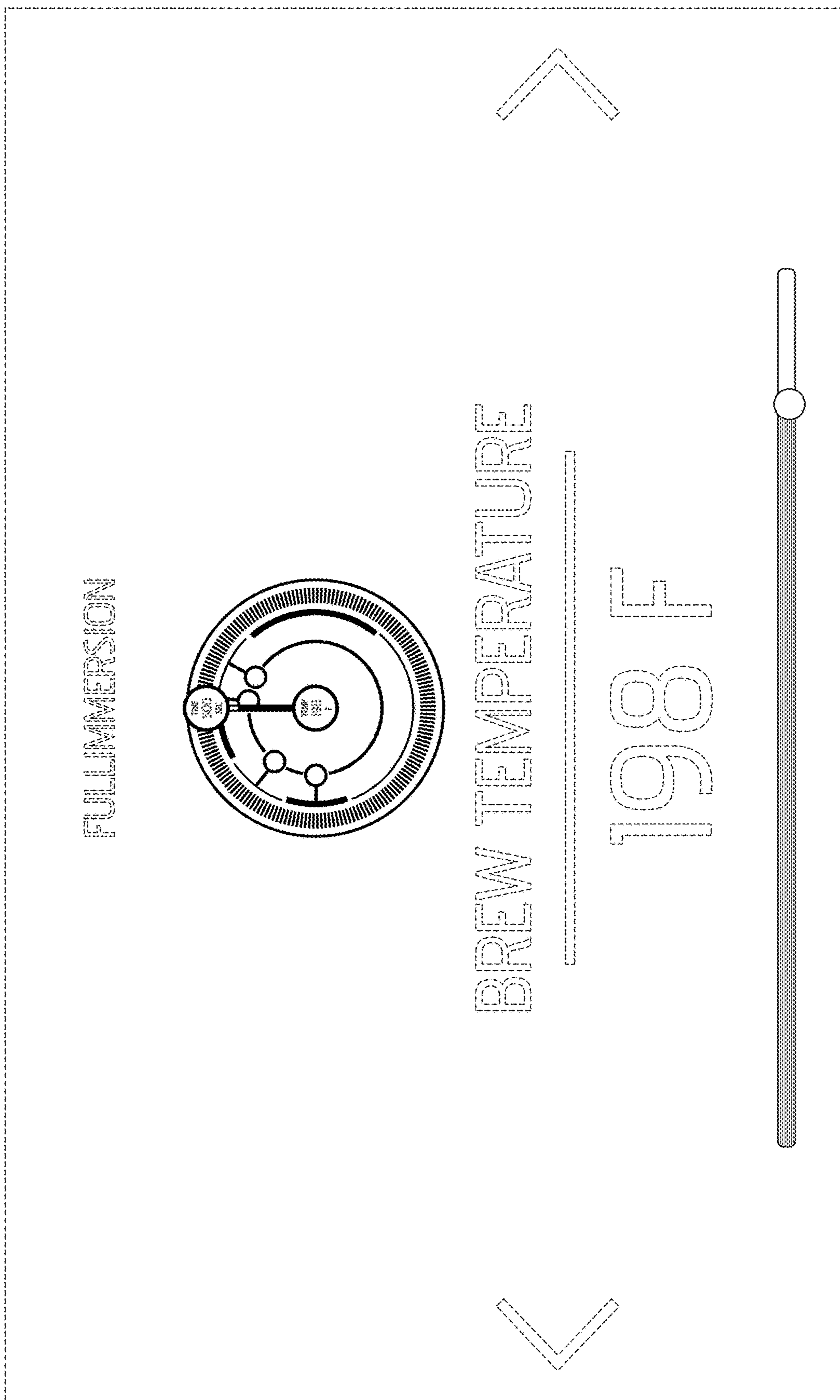


FIG. 11

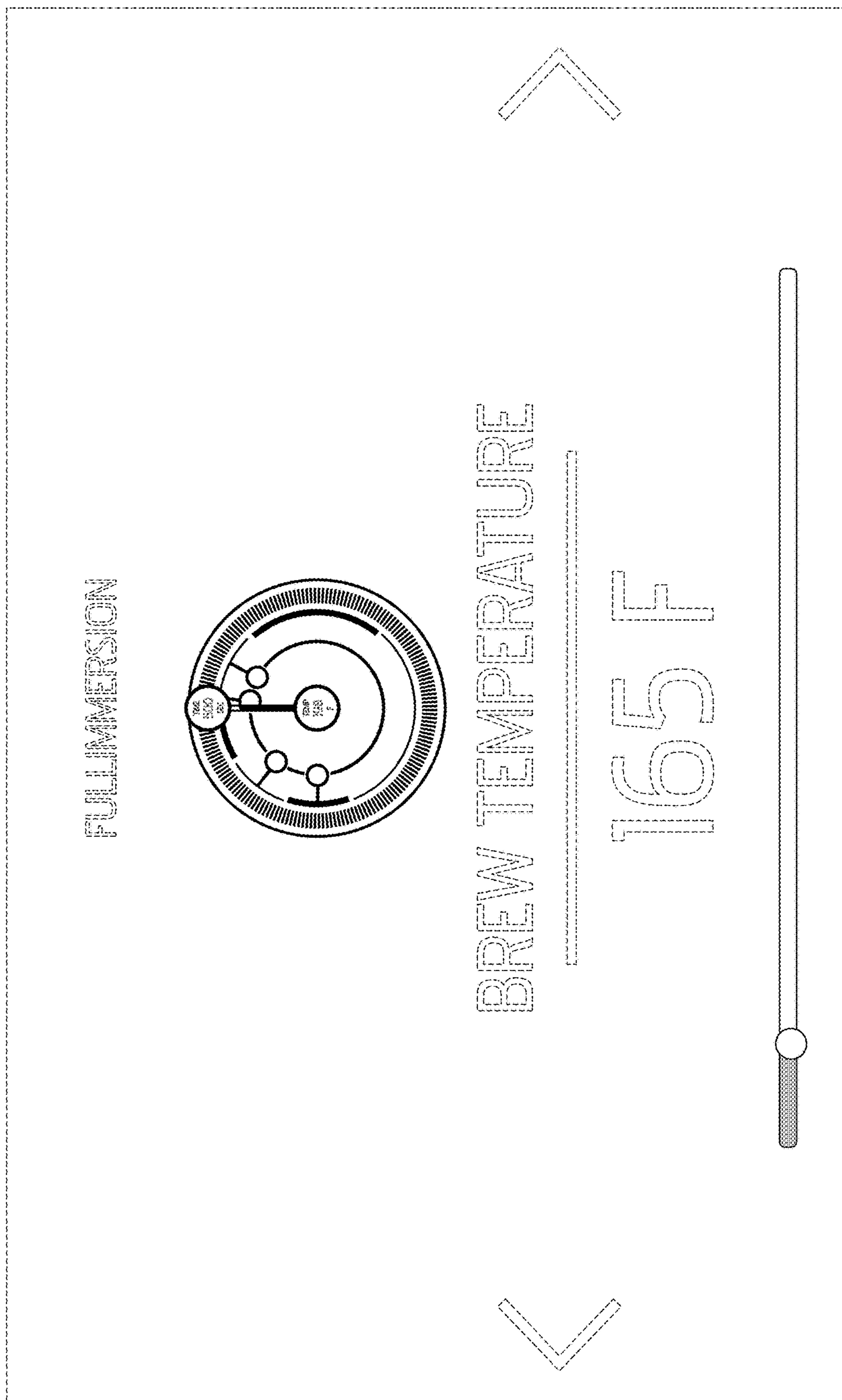


FIG. 12